

Contact Information:

Name:	Province:
Date:	City:
Phone Number:	Email:

Deck Information:

All Concrete Deck	All Wood Deck	All Paver Deck	Other:
Is the coping/deck rough?	Y N	Are there non-removeable obstructions?	Y N

Cover Information:

Cover Spacing:	3'x3' 5'x5'	Cover Type:	Mesh Solid	Cover Colour:
----------------	-------------	-------------	------------	---------------

Roman End Measurements:

Steps are located between
(Please use inches for C-point distance)

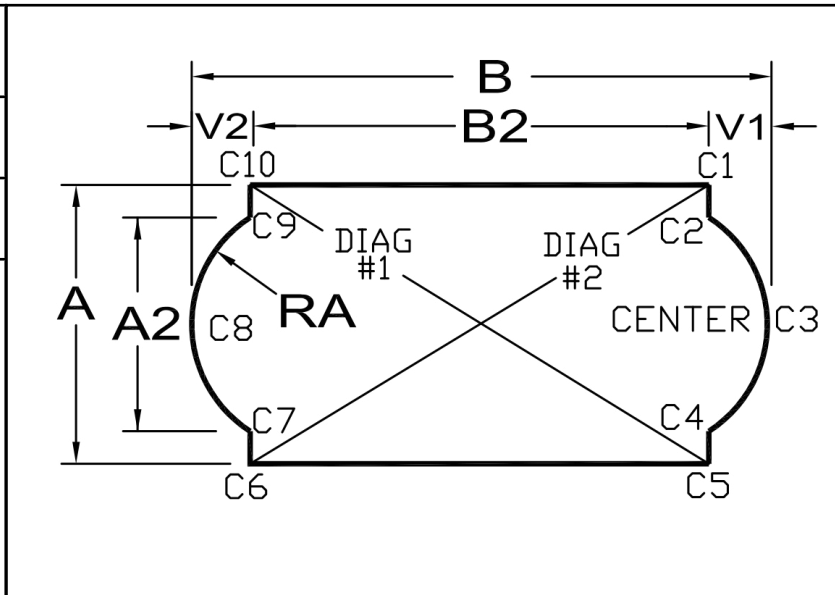
Step 1: _____" From 'C' _____"
'C' Point _____ & 'C' Point _____

Step 2: _____" From 'C' _____"
'C' Point _____ & 'C' Point _____

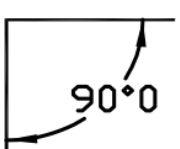

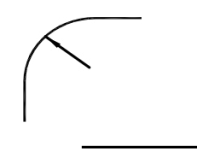
Pool Dimensions											
A	ft	in	V1	ft	in	B2	ft	in	RA	ft	in
B	ft	in	A2	ft	in	V2	ft	in			

Diagonals should be taken from a 90° corner

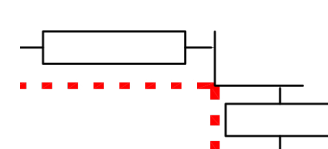
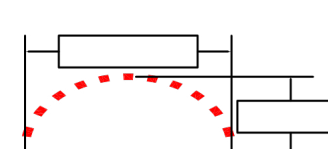
Diagonal #1	ft	in
Diagonal #2	ft	in



Corner Information:

<p>Square</p> 	<p>Diagonal</p>  <p>Diagonal Distance (Inches)</p>	<p>Radius</p>  <p>Radius (Inches)</p>
--	---	--

Step Information:

<p>Straight Step</p> 	<p>Curved Step</p> 
---	--