

Contact Information:

Name:	Province:
Date:	City:
Phone Number:	Email:

Deck Information:

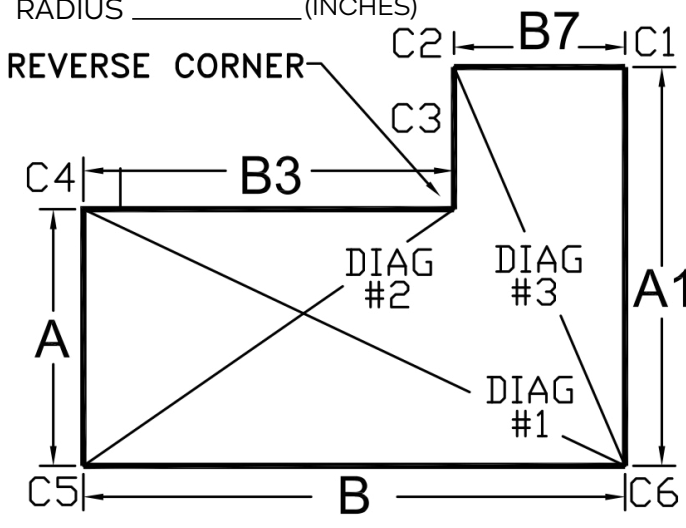
All Concrete Deck	All Wood Deck	All Paver Deck	Other:
Is the coping/deck rough?	Y N	Are there non-removeable obstructions?	Y N

Cover Information:

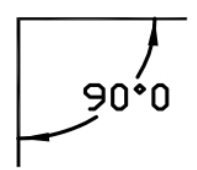
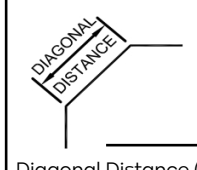
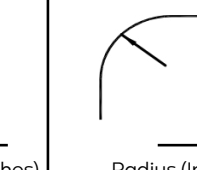
Cover Spacing:	3'x3' 5'x5'	Cover Type:	Mesh Solid	Cover Colour:
----------------	-------------	-------------	------------	---------------

Square L Left Hand Measurements:

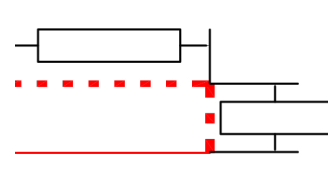
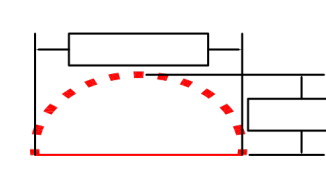
Steps are located between (Please use inches for C-point distance)		U	SQUARE																										
Step 1: _____" From 'C' _____" 'C' Point _____ & 'C' Point _____		U1	DIAGONAL _____ (INCHES)																										
Step 2: _____" From 'C' _____" 'C' Point _____ & 'C' Point _____		U2	RADIUS _____ (INCHES)																										
<table border="1" style="width:100%; text-align:center;"> <tr> <th colspan="8">Pool Dimensions</th> </tr> <tr> <td>A</td><td>ft</td><td>in</td><td>A1</td><td>ft</td><td>in</td><td>B7</td><td>ft</td><td>in</td> </tr> <tr> <td>B</td><td>ft</td><td>in</td><td>B3</td><td>ft</td><td>in</td><td></td><td></td><td></td> </tr> </table>				Pool Dimensions								A	ft	in	A1	ft	in	B7	ft	in	B	ft	in	B3	ft	in			
Pool Dimensions																													
A	ft	in	A1	ft	in	B7	ft	in																					
B	ft	in	B3	ft	in																								
Diagonals should be taken from a 90° corner																													
Diagonal #1		ft	in																										
Diagonal #2		ft	in																										
Diagonal #3		ft	in																										



Corner Information:

Square 	Diagonal 	Radius 
	Diagonal Distance (Inches)	Radius (Inches)

Step Information:

Straight Step 	Curved Step 
--	---