

The Step Inground



IMPROVED
FEATURES



- **Comfortable**
- **Aesthetic**
- **Durable**
- **Safe**

**Ideal for
revamping
your pool**

Comfortable

Get in and out of your pool at your own pace. Relax while sitting and watch your children swim.

Aesthetic

Adds refinement to the overall appearance of your pool and deck.

Durable

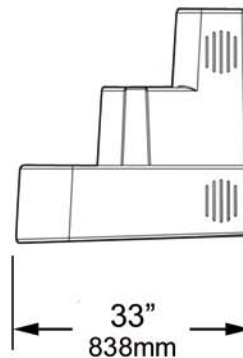
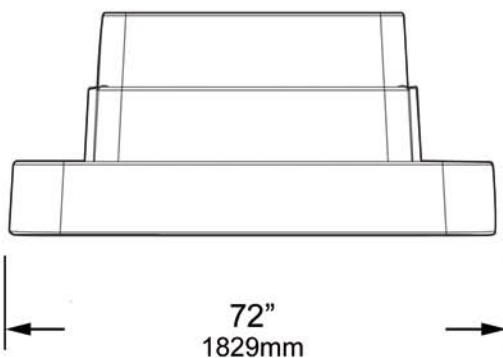
Resistant to UV rays, impacts and pool maintenance products.

Safe

Two grab rails provide maximum security to the youngest and the oldest of your family.



Give your inground pool what it is missing



Stainless steel grab rails
Step with non-slip surface texture
Dazzling white high density resin unique to Access
Maximum weight capacity tested in laboratory : 500 lbs/225 kg
This product was not designed for physically challenged people.

ACCESS PRODUCT NUMBER
MC.000.13

www.product-access.com 1-888-668-9315