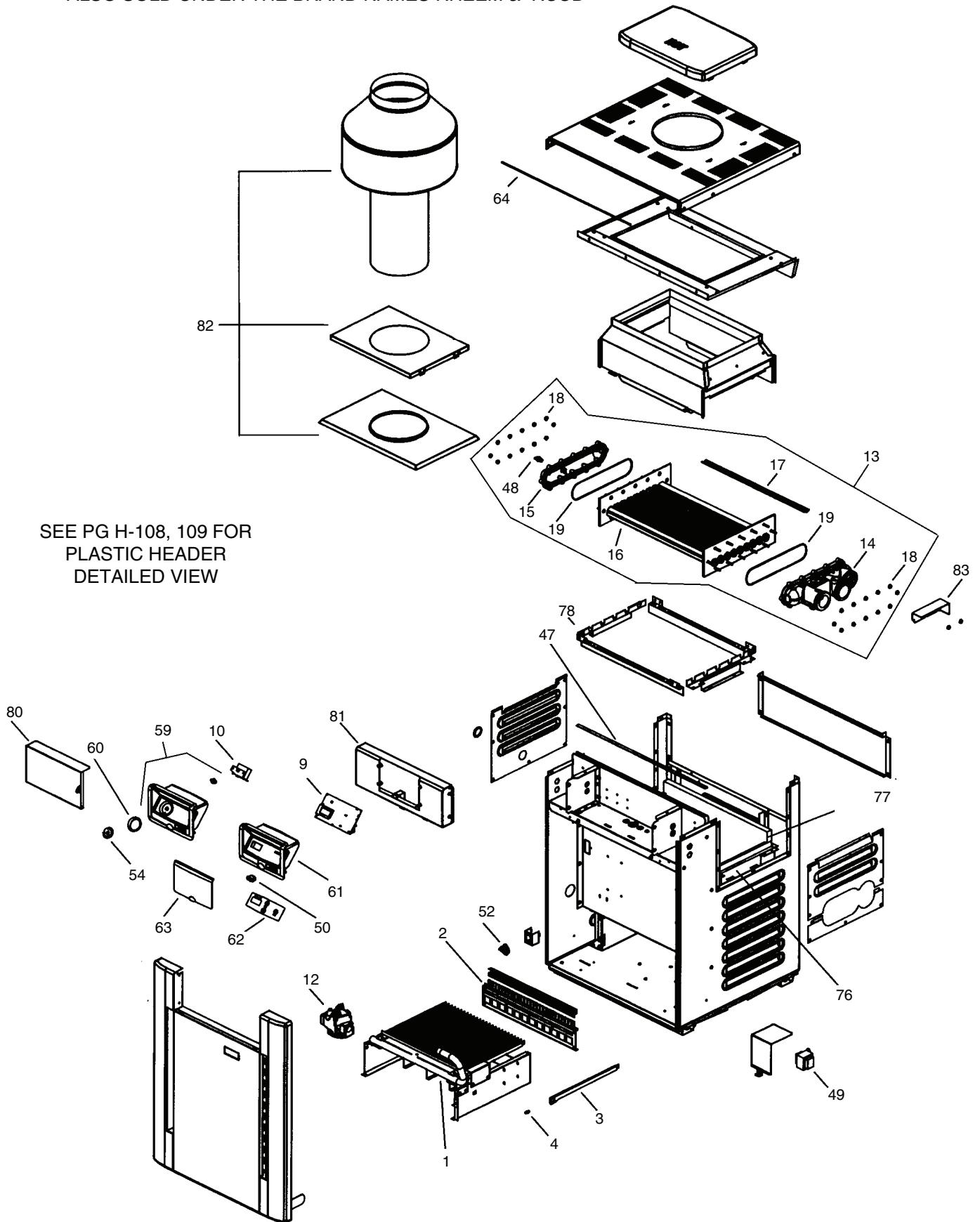


ALSO SOLD UNDER THE BRAND NAMES RHEEM & RUUD



SEE PG H-108, 109 FOR  
PLASTIC HEADER  
DETAILED VIEW

ALSO SOLD UNDER THE BRAND NAMES *RHEEM & RUUD*

KEY	ITEM #	DESCRIPTION	MFG. #
1		<b>BURNER TRAY</b>	
1	6238-001	WITH BURNERS R206A	010391F
1	6238-002	WITH BURNERS R266A	010392F
1	6238-003	WITH BURNERS R336A	010393F
1	6238-004	WITH BURNERS R406A	010394F
1	6238-010	BURNER TRAY ONLY R206A	010421F
1	6238-011	BURNER TRAY ONLY R266A	010422F
1	6238-012	BURNER TRAY ONLY R336A	010423F
1	6238-013	BURNER TRAY ONLY R406A	010424F
2	6238-005	BURNER HOLD DOWN KIT, R206A	010415F
2	6238-006	BURNER HOLD DOWN KIT, R266A	010416F
2	6238-007	BURNER HOLD DOWN KIT, R336A	010417F
2	6238-008	BURNER HOLD DOWN KIT, R406A	010418F
3	6230-03	BURNER, SINGLE	301210
4	6238-009	BURNER ORIFICE, NG, SEA LEVEL	350078F
4	6230-04A	BURNER ORIFICE, LP, SEA LEVEL	350083F
9	6234-162	PC BOARD, RP2100 CURRENT	010253F
10	6231-092	THERMOSTAT CONTROL	003346F
10	6238-014	TEMPERATURE SENSOR, IID UNITS	009577F
12	6230-09	VALVE, GAS NAT. MV PAK	003898F
12	6230-09A	VALVE, GAS PROPANE MV PAK	003899F
12	6230-09B	VALVE, GAS NAT. IID PAK	003900F
12	6230-09C	VALVE, GAS PROPANE IID PAK	004306F
13		<b>HEAT EXCHANGER ASSY, PLASTIC HEADERS</b>	
13	6238-020	COPPER, R206A	010043F
13	6238-021	COPPER, R226A	010044F
13	6238-022	COPPER, R336A	010045F
13	6238-023	COPPER, R406A	010046F
13	6238-030	CUPRO NICKEL, R206A	010356F
13	6238-031	CUPRO NICKEL, R226A	010357F
13	6238-032	CUPRO NICKEL, R336A	010358F
13	6238-033	CUPRO NICKEL, R406A	010359F
14	6234-119	INLET/OUTLET HEADER, PLASTIC	006706F
15	6234-118	RETURN HEADER, RP2100, PLASTIC	006707F
16		<b>TUBE BUNDLE ONLY, FOR PLASTIC HEADERS</b>	
16	6238-040	COPPER, R206A	010059F
16	6238-041	COPPER, R266A	010060F
16	6238-042	COPPER, R336A	010061F
16	6238-043	COPPER, R406A	010062F
16	6238-044	CUPRO NICKEL, R206A	010364F
16	6238-045	CUPRO NICKEL, R266A	010365F
16	6238-046	CUPRO NICKEL, R336A	010366F
16	6238-047	CUPRO NICKEL, R406A	010367F
17	6238-050	BAFFLE KIT (SET OF 8) 206A	010038F
17	6234-15A	BAFFLE KIT (SET OF 8) 266A	005261F
17	6238-051	BAFFLE KIT (SET OF 8) 336A	010040F
17	6238-052	BAFFLE KIT (SET OF 8) 406A	010041F
18	6238-053	FLANGE NUT KIT	008259F
19	6234-113	GASKET O-RING (SET OF 2)	006713F

KEY	ITEM #	DESCRIPTION	MFG. #
48	6234-86	DRAIN VALVE KIT 1/4" MPT	006721F
49	6234-99	TRANSFORMER 24V	006736F
50	6238-090	ROCKER SWITCH	009493F
52	6234-36	THERMAL FUSE	005899F
*	6238-092	WIRE HARNESS, MILLIVOLT	010386F
*	6238-093	WIRE HARNESS, IID	009490F
59	6238-094	CONTROL BEZEL WITH DECAL, MILLIVOLT	009489F
60	6238-095	DECAL	009858F
61	6230-100	CONTROL BEZEL WITH SWITCH DECAL, IID	009491F
62	6230-101	SWITCH DECAL	009492F
63	6238-096	CONTROL BEZEL COVER	009487F
64	6238-097	GASKET INSULATION	010350F
76	6238-100	REFRACTORY COMMON, LEFT & RIGHT	010088F
77	6238-101	REFRACTORY, FRONT & REAR, 206A	010089F
77	6238-102	REFRACTORY, FRONT & REAR, 266A	010090F
77	6238-103	REFRACTORY, FRONT & REAR, 336A	010091F
77	6238-104	REFRACTORY, FRONT & REAR, 406A	010092F
78	6238-105	REFRACTORY RETAINER KIT, 206A	010387F
78	6238-106	REFRACTORY RETAINER KIT, 266A	010388F
78	6238-107	REFRACTORY RETAINER KIT, 336A	010389F
78	6238-108	REFRACTORY RETAINER KIT, 406A	010390F
80	6238-110	POOLSTAT COVER / LOCK	009505
81	6238-111	UP FRONT CONTROL PANEL R206A	010321F
81	6238-112	UP FRONT CONTROL PANEL R266A	010322F
81	6238-113	UP FRONT CONTROL PANEL R336A	010323F
81	6238-114	UP FRONT CONTROL PANEL R406A	010324F
82	6238-120	INDOOR STACK KIT, R206A	009838
82	6238-121	INDOOR STACK KIT, R266A	009839
82	6238-122	INDOOR STACK KIT, R336A	009840
82	6238-123	INDOOR STACK KIT, R406A	009841
82	6238-124	OUTDOOR STACK KIT, R206A	009834
82	6238-125	OUTDOOR STACK KIT, R266A	009835
82	6238-126	OUTDOOR STACK KIT, R336A	009836
82	6238-127	OUTDOOR STACK KIT, R406A	009837
83	6238-150	HIGH LIMIT SHIELD	010342F

**CONVERSION KITS \***

6234-70*	NG TO LP, MILLIVOLT, 206A, 266A	004690B
6234-70A*	NG TO LP, MILLIVOLT, 336A, 406A	004692B
6234-300*	LP TO NG, MILLIVOLT, 206A, 266A	010419F
6238-301*	LP TO NG, MILLIVOLT, 336A, 406A	010420F

\* CONVERSION KITS ARE NOT AVAILABLE FOR  
ELECTRONIC IGNITION MODELS