

# ALUMINOUS OUTDOOR LIGHTING PRODUCT CATALOG

## CUSTOM DECORATIVE BASE POLES

SERIES MANDEVILLE SPECIFICATIONS - SMV

Aluminous  
114 Healey Road  
Bolton, ON L7E 5R2

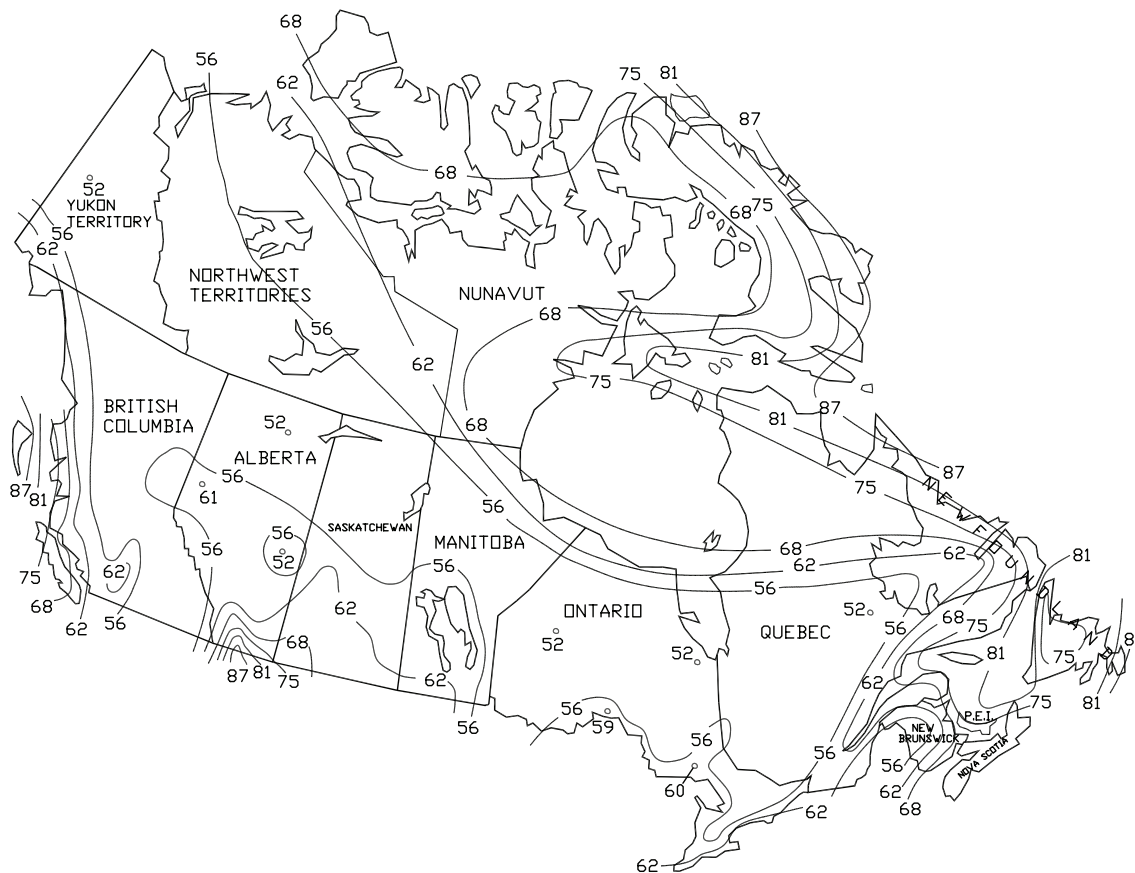
[aluminous.com](http://aluminous.com)

**ALUMINOUS**  
LIGHTING SYSTEMS

# INTRODUCTION

This catalogue has been designed to assist you in selecting an area lighting product, which will meet your specific requirements. The diverse selection of pole sizes and mounting bracket options offered within this catalogue i.e. architectural, roadway traffic and tapered elliptical brackets, should accommodate most of your lighting needs. However, if the scope of your specifications or requirements cannot be fulfilled with these standard products, please contact us: we can custom-design an array of products to meet any criteria or specification.

## WIND SPEED MAP



The wind speed map shows the maximum steady wind expected within a 50-year period of recurrence at an elevation of 30 feet above ground. If standards are mounted above grade, please call for assistance if needs arise. Since winds are unpredictable and usually involve gusts EPA calculation allows for a 1.3 gust factor. Aluminous Outdoor Lighting Products have been designed to withstand a specific wind load for each lighting standard. Please note: selecting the proper size pole for a specific application requires one to know the EPA of the total number of fixtures. Because of the different wind velocities in any geographical area reference should be made to the area where the pole is being installed. Proper selection should be made from the Canadian and U.S. Wind Speed Map. Aluminous Outdoor Lighting Products EPA rating is in conformity with the requirements of the AASHTO Standard specifications for structural support for poles and arm brackets. Please note: All maximum wind speeds are measured in mph (miles per hour).

## CONTACT INFORMATION

**Address:** 600 Ferguson Avenue North Hamilton, Ontario L8L 4Z9 | **Telephone:** 1-877-625-7240 905-526-1771 |

**Fax:** 1-888-700-8656 905-526-6161 | **Email:** sales@aluminous.com | **Website:** www.aluminous.com

# CUSTOM DECORATIVE BASE POLES

## STRAIGHT SHAFT

Catalogue Number	Nominal Height	Weight (approx.)	Anchor Bolt Size
SMV-S-8	8'	70 lbs	3/4" X 24"
SMV-S-10	10'	85 lbs	3/4" X 24"
SMV-S-12	12'	98 lbs	3/4" X 24"
SMV-S-14	14'	108 lbs	3/4" X 24"

## FLUTED SHAFT

Catalogue Number	Nominal Height	Weight (approx.)	Anchor Bolt Size
SMV-FL-8	8'	74 lbs	3/4" X 24"
SMV-FL-10	10'	87 lbs	3/4" X 24"
SMV-FL-12	12'	100 lbs	3/4" X 24"
SMV-FL-14	14'	111 lbs	3/4" X 24"

### NOTES:

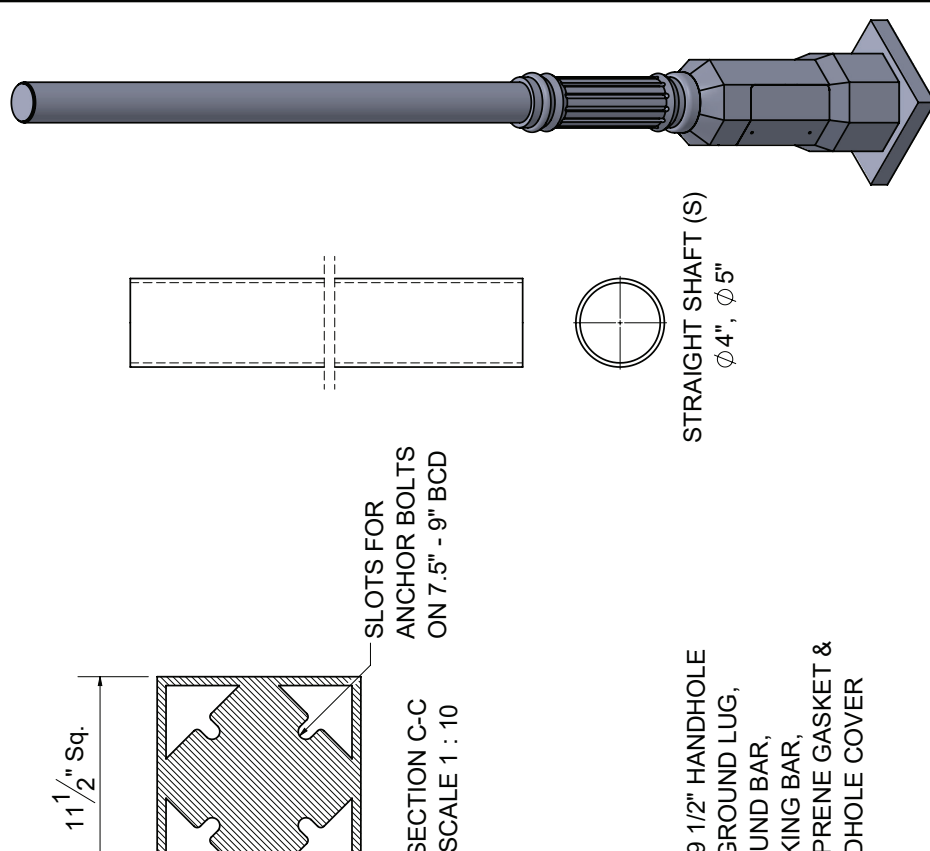
LUMINAIRE	Manufactured by others. Please ask for details.
FINISH	Powder coat finish available in standard or custom colour.
MATERIAL	6063 Aluminum alloy heat treated to produce a T6 temper.
ANCHOR BOLT PROJECTION	3-4 inches
BCD	Size TBD

**Welding Conforms to CSA W47.1 and W47.2**

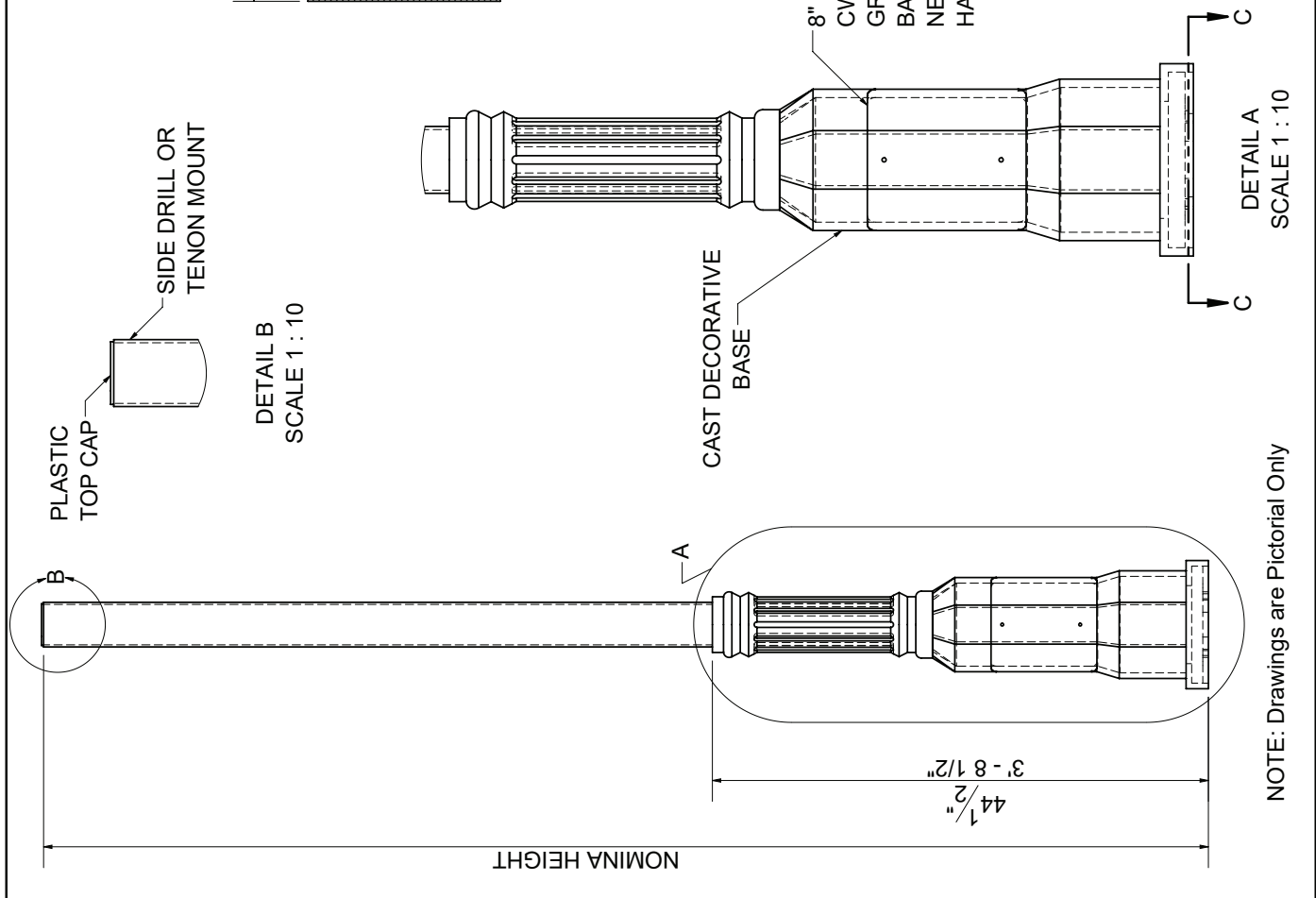
**Need Help? Talk to Jerry: 905 857 8100**

# CUSTOM DECORATIVE BASE POLES - SMV

Catalogue Number	Nominal Height (Feet)	Weight (Lbs.)	Base Size (inches)	BCD (inches)	Anchor Bolt Dia. (inches)
MV-S-8	8	70	11 1/2	7.5 - 9	3/4
MV-S-10	10	85	11 1/2	7.5 - 9	3/4
MV-S-12	12	98	11 1/2	7.5 - 9	3/4
MV-S-14	14	108	11 1/2	7.5 - 9	3/4



<b>ALUMINOUS LIGHTING SYSTEMS</b> Roadway, Commercial, Institutions. 114 HEALEY RD. BOLTON, ON L7E 9R2 PHONE: 905-857-8100 FAX: 905-857-8131	DRAWN BY	DATE
	CLAUDIO A.	2019-11-26
DESCRIPTION:		
SERIES MANDEVILLE		
ALUMINOUS DECORATIVE POLE		
MATL: ALUMINIUM		
CATALOGUE NO:	REV	
MV-S-X	0	



NOTE: Drawings are Pictorial Only

THIS DOCUMENT IS THE PROPERTY OF ALUMINOUS LIGHTING PRODUCT AND IS LOANED SUBJECT TO RETURN ON DEMAND. UNDER NO CIRCUMSTANCES IT IS TO BE REPRODUCED OR COPIED IN WHOLE OR IN PART. THE CONTENTS HEREIN ARE THE PROPERTY OF ALUMINOUS LIGHTING PRODUCT AND ALL RIGHTS ARE RESERVED.