

ALUMINOUS OUTDOOR LIGHTING PRODUCT CATALOG

CUSTOM ARM BRACKETS

DOUBLE BEND ARM

Aluminous
114 Healey Road
Bolton, ON L7E 5R2

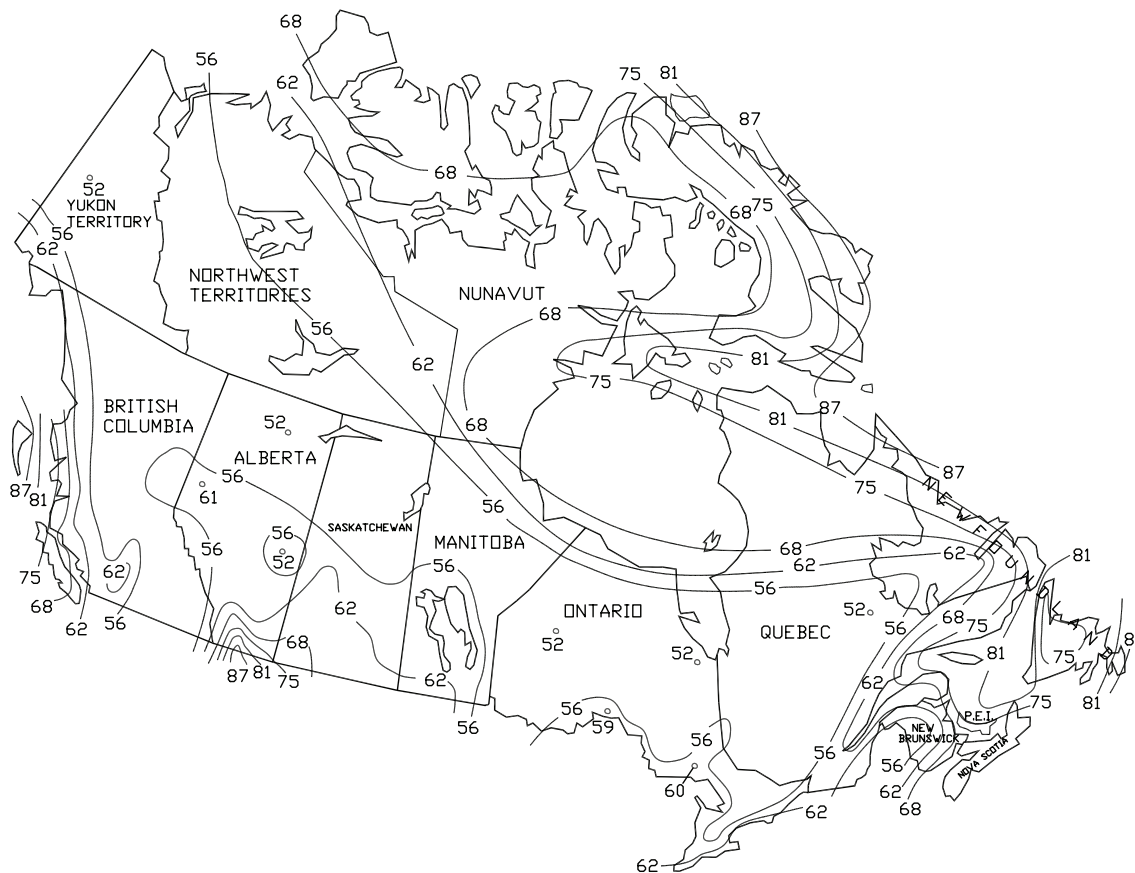
aluminous.com

ALUMINOUS
LIGHTING SYSTEMS

INTRODUCTION

This catalogue has been designed to assist you in selecting an area lighting product, which will meet your specific requirements. The diverse selection of pole sizes and mounting bracket options offered within this catalogue i.e. architectural, roadway traffic and tapered elliptical brackets, should accommodate most of your lighting needs. However, if the scope of your specifications or requirements cannot be fulfilled with these standard products, please contact us: we can custom-design an array of products to meet any criteria or specification.

WIND SPEED MAP



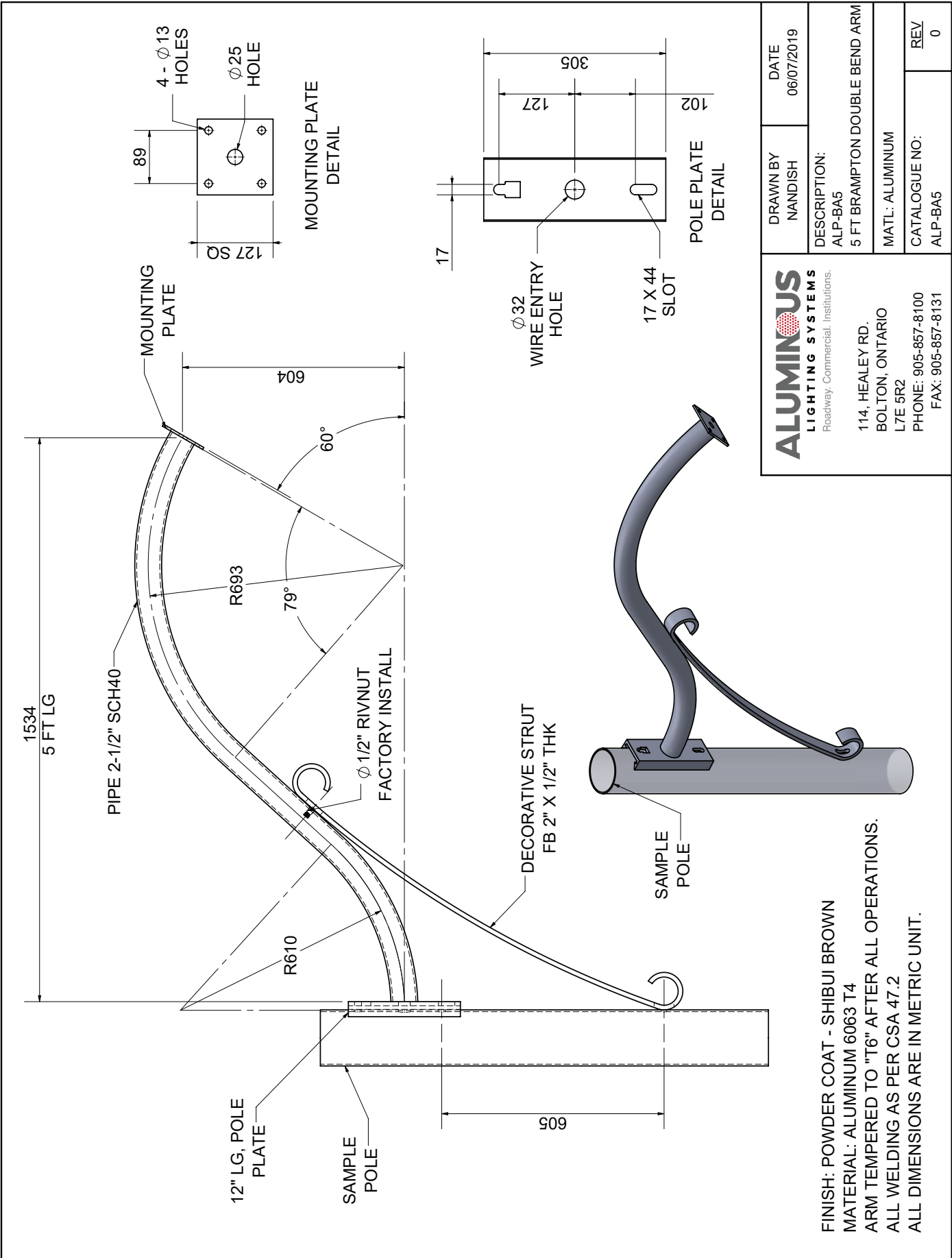
The wind speed map shows the maximum steady wind expected within a 50-year period of recurrence at an elevation of 30 feet above ground. If standards are mounted above grade, please call for assistance if needs arise. Since winds are unpredictable and usually involve gusts EPA calculation allows for a 1.3 gust factor. Aluminous Outdoor Lighting Products have been designed to withstand a specific wind load for each lighting standard. Please note: selecting the proper size pole for a specific application requires one to know the EPA of the total number of fixtures. Because of the different wind velocities in any geographical area reference should be made to the area where the pole is being installed. Proper selection should be made from the Canadian and U.S. Wind Speed Map. Aluminous Outdoor Lighting Products EPA rating is in conformity with the requirements of the AASHTO Standard specifications for structural support for poles and arm brackets. Please note: All maximum wind speeds are measured in mph (miles per hour).

CONTACT INFORMATION

Address: 600 Ferguson Avenue North Hamilton, Ontario L8L 4Z9 | **Telephone:** 1-877-625-7240 905-526-1771 |

Fax: 1-888-700-8656 905-526-6161 | **Email:** sales@aluminous.com | **Website:** www.aluminous.com

DOUBLE BEND ARM



 Roadway, Commercial, Institutions.		DRAWN BY	DATE
114, HEALEY RD. BOLTON, ONTARIO L7E 5R2 PHONE: 905-857-8100 FAX: 905-857-8131		NANDISH	06/07/2019
DESCRIPTION:			
ALP-BA5			
5 FT BRAMPTON DOUBLE BEND ARM			
MATERIAL:		ALUMINIUM	
CATALOGUE NO:		ALP-BA5	
REV		0	

FINISH: POWDER COAT - SHIBUI BROWN
 MATERIAL: ALUMINIUM 6063 T4
 ARM TEMPERED TO "T6" AFTER ALL OPERATIONS.
 ALL WELDING AS PER CSA 47.2
 ALL DIMENSIONS ARE IN METRIC UNIT.