



Double arm at end of pole



Wall adaptation arm



Arm at end of pole

ALF2

Accessory for luminaire fastening at end of pole / wall adaptation, decorative urban

FASTENING SYSTEMS

Luminaire fastening	Lateral fastening: Ø60 mm coupling.
Installation	For ends on conical tapering or cylindrical poles Ø60 mm or Ø76 mm.
Notes	5° angle for arms to pole.

MATERIALS

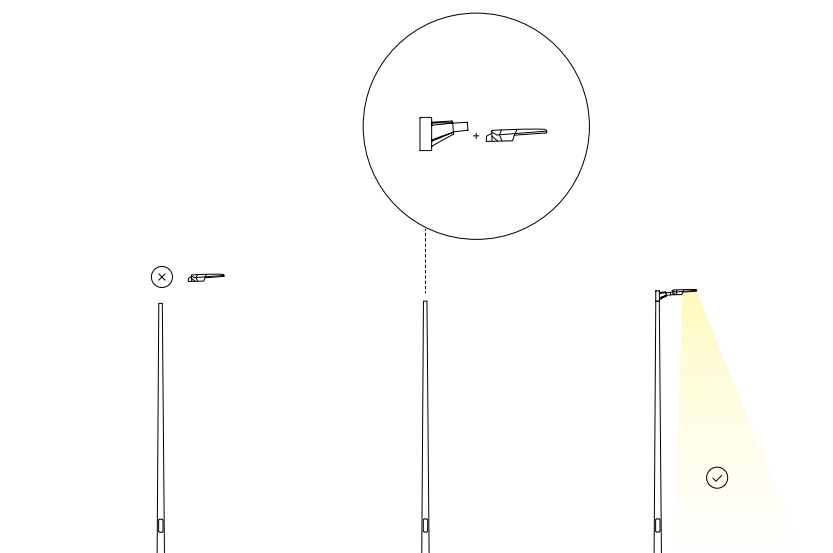
Arm	Die-cast aluminium.
-----	---------------------

FINISHES

Arm	GY9007
	GY9006
	DGCLAS
	GYDECO
	GYTECH
	WH9010
	Simon Colours
	RAL chart colours

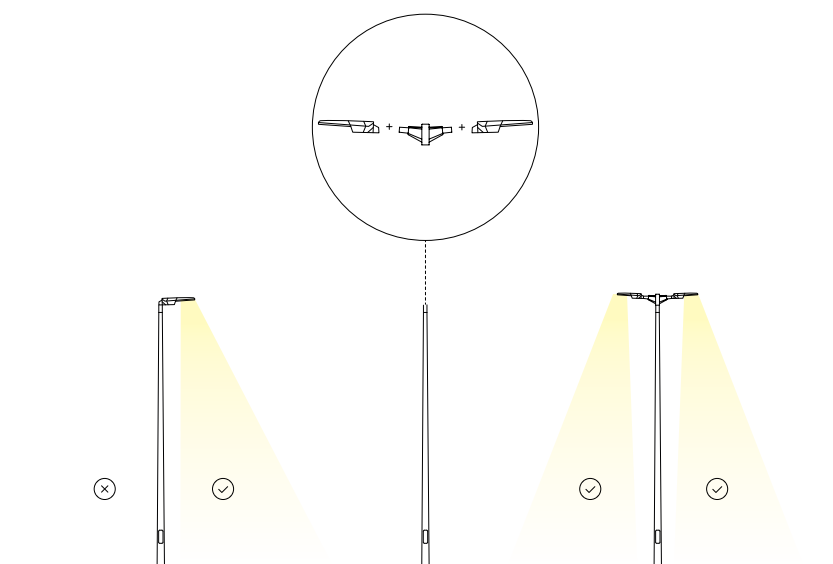
BASE REFERENCES (Units in mm)

	Fastening	Arm length (L)	D	P	Finish	Offer codes	Order code
Arm at end of pole 	Lateral at 5°	190	Ø60	Ø60	GY9007	ALF2C_190_L05_1D60_P60_PCF____GY9007	50-33950
	Lateral at 5°	190	Ø60	Ø76	GY9007	ALF2C_190_L05_1D60_P76_PCF____GY9007	50-33956
	Lateral at 5°	190	Ø60	Ø60	GY9006	ALF2C_190_L05_1D60_P60_PCF____GY9006	50-33960
	Lateral at 5°	190	Ø60	Ø76	GY9006	ALF2C_190_L05_1D60_P76_PCF____GY9006	50-33966
	Lateral at 5°	190	Ø60	Ø60	DGCLAS	ALF2C_190_L05_1D60_P60_PCF____DGCLAS	50-33970
	Lateral at 5°	190	Ø60	Ø76	DGCLAS	ALF2C_190_L05_1D60_P76_PCF____DGCLAS	50-33976
	Lateral at 5°	190	Ø60	Ø60	GYDECO	ALF2C_190_L05_1D60_P60_PCF____GYDECO	50-33550
	Lateral at 5°	190	Ø60	Ø76	GYDECO	ALF2C_190_L05_1D60_P76_PCF____GYDECO	50-33556
	Lateral at 5°	190	Ø60	Ø60	GYTECH	ALF2C_190_L05_1D60_P60_PCF____GYTECH	50-33560
	Lateral at 5°	190	Ø60	Ø76	GYTECH	ALF2C_190_L05_1D60_P76_PCF____GYTECH	50-33566
Double arm at end of pole 	Lateral at 5°	190	Ø60	Ø60	GY9007	ALF2C_190_L05_2D60_P60_PCF____GY9007	50-33954
	Lateral at 5°	190	Ø60	Ø76	GY9007	ALF2C_190_L05_2D60_P76_PCF____GY9007	50-33957
	Lateral at 5°	190	Ø60	Ø60	GY9006	ALF2C_190_L05_2D60_P60_PCF____GY9006	50-33964
	Lateral at 5°	190	Ø60	Ø76	GY9006	ALF2C_190_L05_2D60_P76_PCF____GY9006	50-33967
	Lateral at 5°	190	Ø60	Ø60	DGCLAS	ALF2C_190_L05_2D60_P60_PCF____DGCLAS	50-33974
	Lateral at 5°	190	Ø60	Ø76	DGCLAS	ALF2C_190_L05_2D60_P76_PCF____DGCLAS	50-33977
	Lateral at 5°	190	Ø60	Ø60	GYDECO	ALF2C_190_L05_2D60_P60_PCF____GYDECO	50-33554
	Lateral at 5°	190	Ø60	Ø76	GYDECO	ALF2C_190_L05_2D60_P76_PCF____GYDECO	50-33857
	Lateral at 5°	190	Ø60	Ø60	GYTECH	ALF2C_190_L05_2D60_P60_PCF____GYTECH	50-33564
	Lateral at 5°	190	Ø60	Ø76	GYTECH	ALF2C_190_L05_2D60_P76_PCF____GYTECH	50-33867
Wall adaptation arm 	Lateral at 5°	166	Ø60	Wall	GY9007	ALF2C_166_L05_1D60_WALL_PCF____GY9007	50-33951
	Lateral at 5°	166	Ø60	Wall	GY9006	ALF2C_166_L05_1D60_WALL_PCF____GY9006	50-33961
	Lateral at 5°	166	Ø60	Wall	DGCLAS	ALF2C_166_L05_1D60_WALL_PCF____DGCLAS	50-33971
	Lateral at 5°	166	Ø60	Wall	GYDECO	ALF2C_166_L05_1D60_WALL_PCF____GYDECO	50-33851
	Lateral at 5°	166	Ø60	Wall	GYTECH	ALF2C_166_L05_1D60_WALL_PCF____GYTECH	50-33861



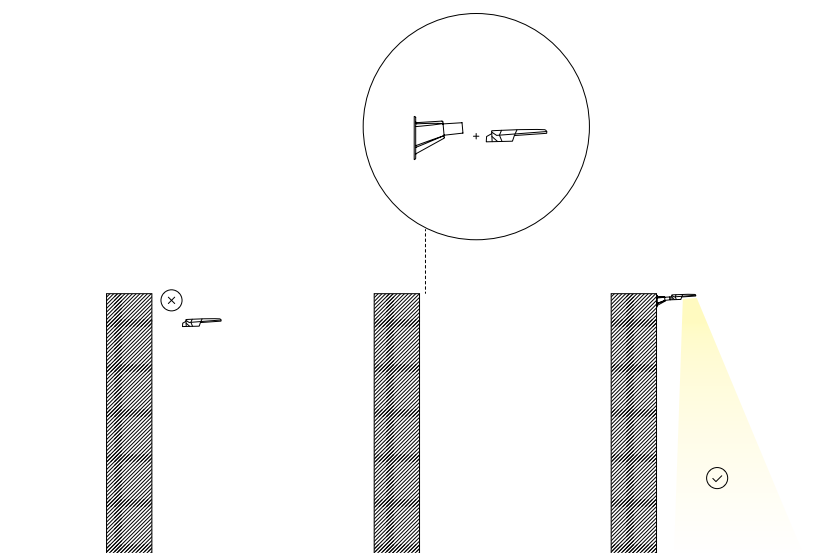
Example of application of the ALF2 arm at end of pole.

The ALF2 arm at the end of the pole makes it possible to mount a lateral-mount luminaire without the possibility of post-top mounting on poles that are already installed without the need for complicated and costly interventions.



Example of application of the ALF2 double arm at end of pole.

The ALF2 double arm at the end of the pole makes it possible to mount a new luminaire on poles that are already installed, reinforcing the existing lighting without the need for complicated and costly interventions.



Example of application of the ALF2 wall adapter arm.

The ALF2 wall adapter arm makes it possible to mount a side-mount luminaire on walls without the need for a curved or straight pole.