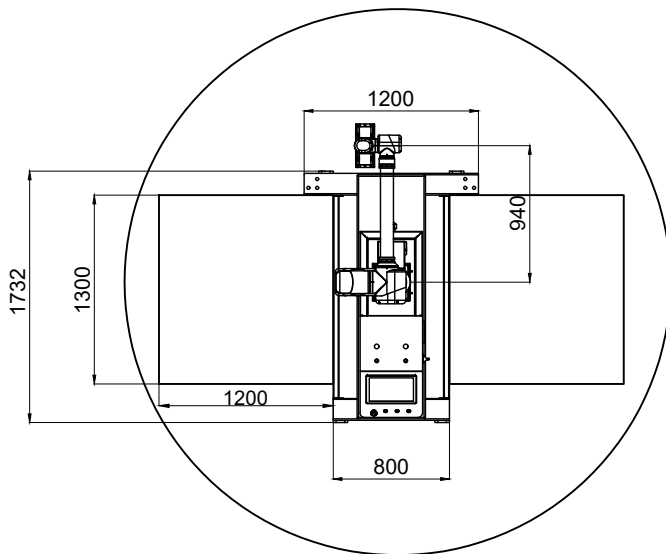
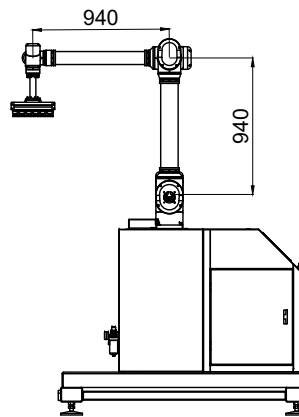
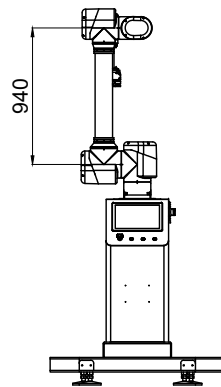
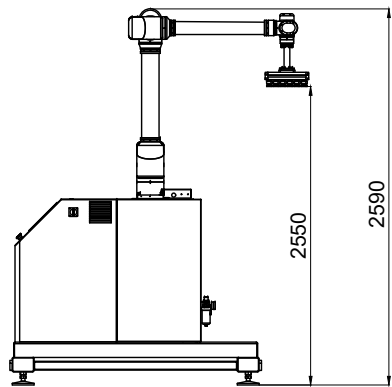


# AWP-20

All dimensions are in: mm

Designed by		Process		Material		Part code	
Checked by		Reviewed by		Revision	Scale	Weight	Model
Countersign 1		Countersign 2		Projection		AWP-20	
Standardized by		Approved by		Page 2		Guangzhou Auctech Automation Technology Ltd	

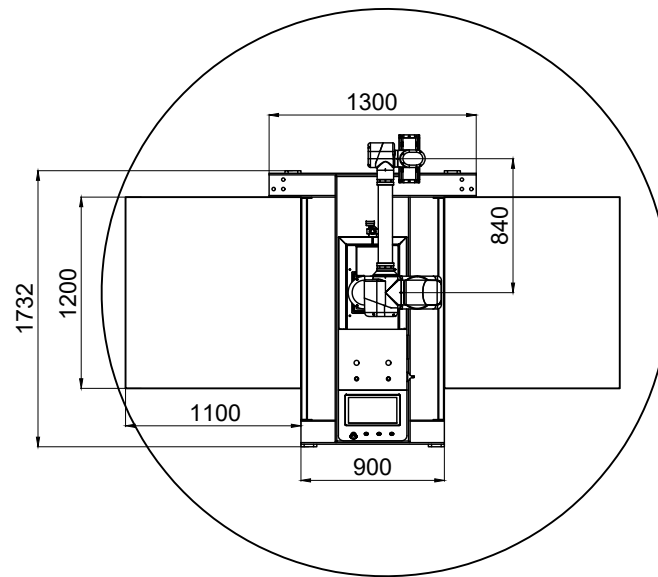
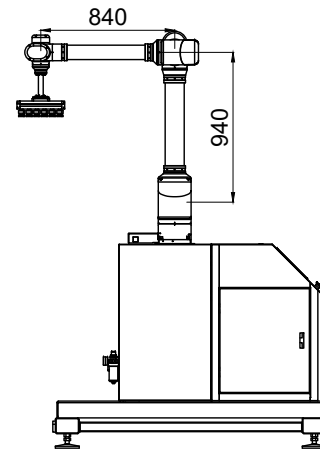
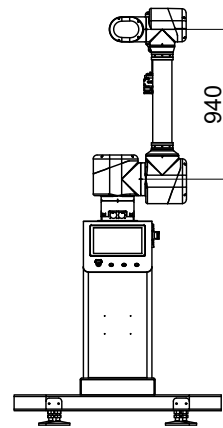
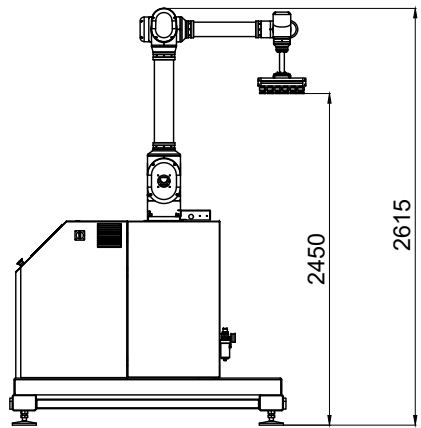


# AWP-20L

All dimensions are in: mm

Designed by		Process		Material		Part code	
Checked by		Reviewed by		Revision	Scale	Weight	Model
Countersign 1		Countersign 2		Projection		Guangzhou Auctech Automation Technology Ltd	
Standardized by		Approved by		Page 3			

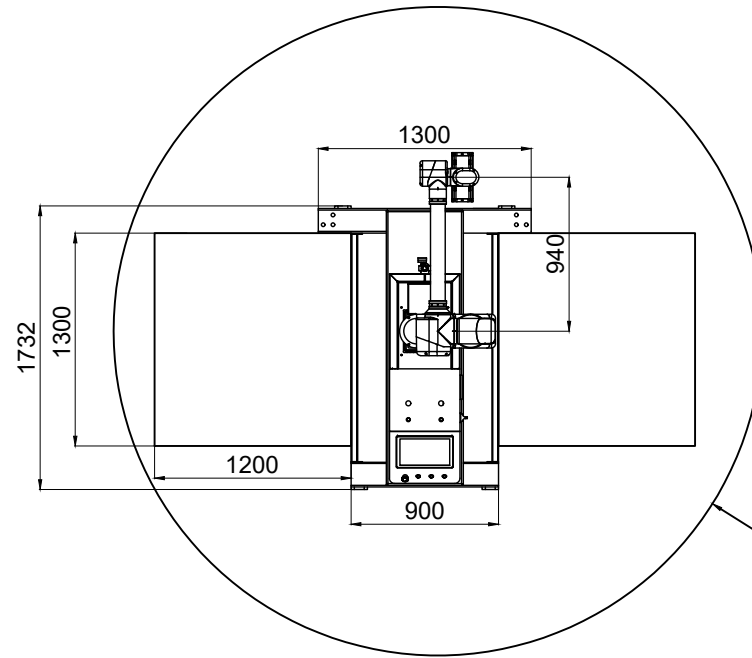
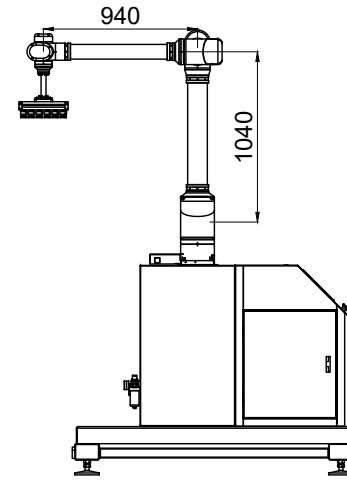
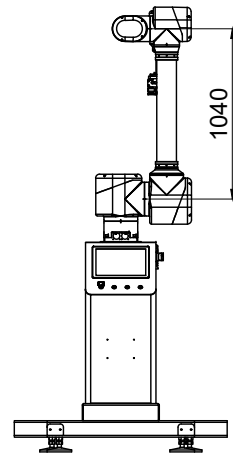
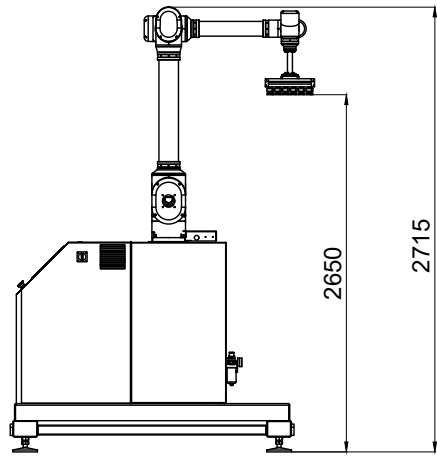




# AWP-40

All dimensions are in: mm

Designed by		Process		Material		Part code	
Checked by		Reviewed by		Revision	Scale	Weight	Model
Countersign 1		Countersign 2		Projection		AWP-40	
Standardized by		Approved by		Page 5		Guangzhou Auctech Automation Technology Ltd	



Working Range R1980

# AWP-40L

All dimensions are in: mm

Designed by		Process		Material			Part code	
Checked by		Reviewed by		Revision	Scale	Weight	Model	AWP-40L
Countersign 1		Countersign 2		Projection			Guangzhou Auctech Automation Technology Ltd	
Standardized by		Approved by		Page 6				