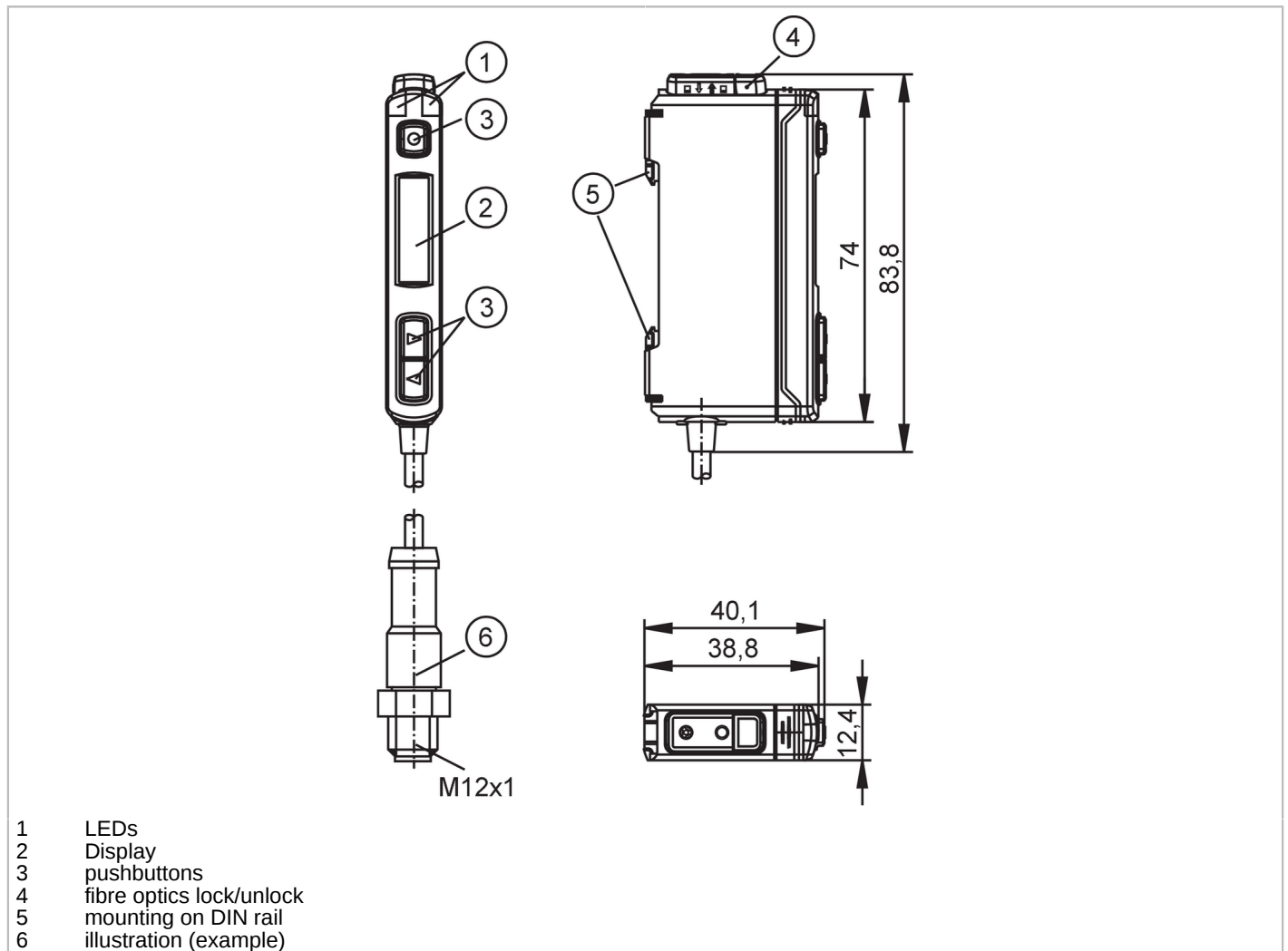


OCF502



Fibre optic sensor

OCF-FCKG/IO-Link/0,30M/US/4P



Product characteristics	
Type of light	red light
Housing	rectangular
Application	
Application	Industrial applications / factory automation
Electrical data	
Operating voltage [V]	10...30 DC
Current consumption [mA]	< 35
Protection class	III
Reverse polarity protection	yes
Type of light	red light
Wave length [nm]	632
Inputs / outputs	
Number of inputs and outputs	Number of digital outputs: 2
Outputs	
Electrical design	PNP/NPN; (programmable)

OCF502



Fibre optic sensor

OCF-FCKG/IO-Link/0,30M/US/4P

Number of digital outputs		2
Output function		light-on/dark-on mode; (programmable)
Max. voltage drop switching output DC [V]		2.5
Max. current load for function check output [mA]		100
Switching frequency DC [Hz]		20000
Short-circuit protection		yes
Type of short-circuit protection		pulsed
Overload protection		yes
Time function [s]		1...9999

Detection zone

Range [m]		0...3.6; (Through-beam sensor E20703 (High Power))
Range [mm]		0...1250; (diffuse reflection sensor E20633 (High Power))

Interfaces

Communication interface	IO-Link	
Transmission type	COM2 (38,4 kBaud)	
IO-Link revision	1.1	
SDCI standard	IEC 61131-9	
Profiles	Smart Sensor - SSP 4.1.1	Measuring and Switching Sensor, 1 channel
	Common - I&D	Identification and Diagnosis
	Extension	Sensor control
	Extension	Teach two point
	Extension	Teach dynamic
	Function	Locator
	Function	ProductURI
SIO mode	Function	Teach recommended extension
		yes
	Required master port type	A
	Min. process cycle time [ms]	5
IO-Link process data (cyclical)	function	bit length
	process value	16
	device status	4
	binary switching information	2
IO-Link functions (acyclical)	application specific tag; operating hours counter; switch-on cycle counter	
Supported DeviceIDs	Type of operation	DeviceID
	default	1702

Operating conditions

Ambient temperature [°C]		-25...60
Protection		IP 65; (with connected fibre optics)

Tests / approvals

EMC		EN 60947-5-2
MTTF [years]		336

Mechanical data

Weight [g]		100.45
------------	--	--------

OCF502



Fibre optic sensor

OCF-FCKG/IO-Link/0,30M/US/4P

Housing	rectangular
Dimensions [mm]	83.8 x 12.4 x 40.1
Materials	housing: ABS modified

Displays / operating elements		
Display	switching status	1 x LED, yellow
	operation	1 x LED, green
	OLED display	

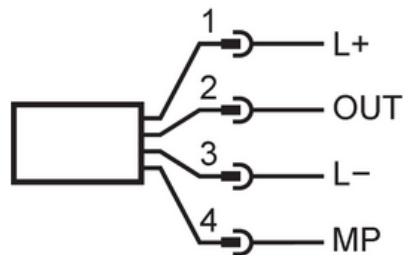
Remarks	
Pack quantity	1 pcs.

Electrical connection
Cable: 0.3 m, PVC; 4 x 0.25 mm ²

Electrical connection - plug
Connector: 1 x M12; coding: A; Contacts: 4



Connection



1	L+	
2	OUT	DO2 (NO/NC)
3	L-	
4	MP	DO1 (NO/NC), IO-Link

DO: digital output; MP: multi-function connection; NC: normally closed; NO: normally open