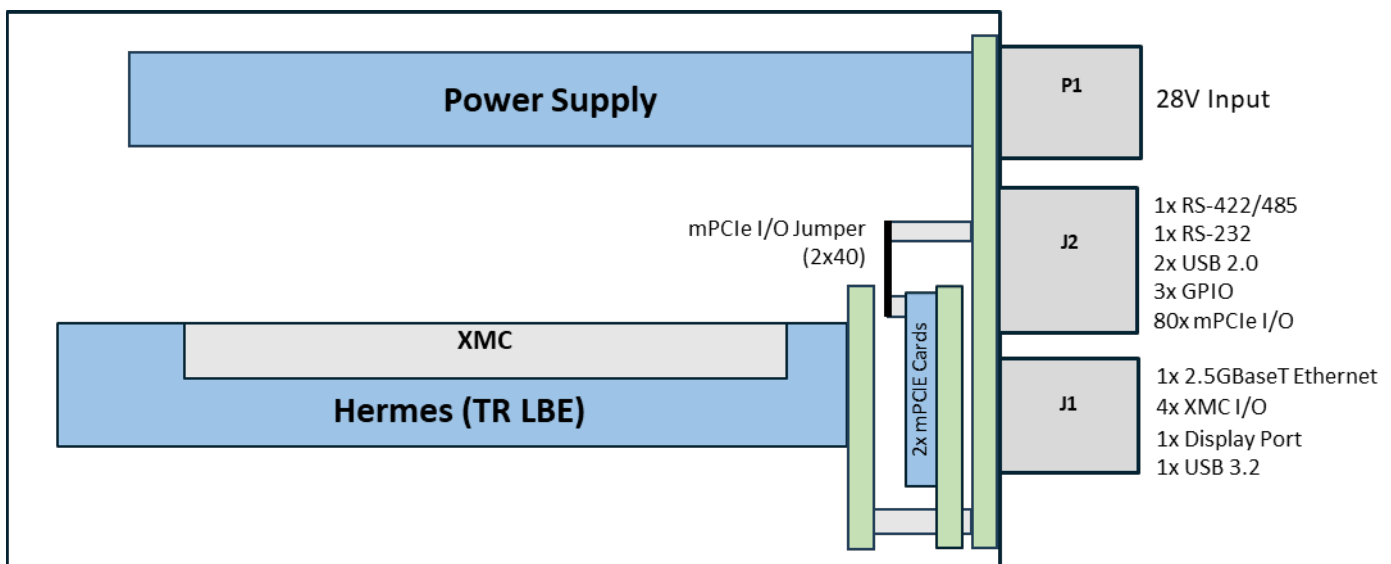


Compact Edge Computing for Distributed and Portable Defence

Key Features

Apollo is a rugged single slot system optimized for Size, Weight, Power and Cost (SWaP-C) that is designed and tested to operate in harsh environments. The system has a single slot for a SOSA aligned payload and options are available for a rich set of I/O

- Processor Slot:
 - SOSA® Aligned I/O Intensive Intel processor Plug In Card (PIC) with XMC site for expansion
- 2x Mini-PCIe site for user additional I/O
- 1/10G Ethernet + TSN
- Operating Temperature -40°C to 55°C
- MIL-STD-810G/704/461



This is an example configuration, for alternative configurations please contact your local sales representative

Processing Engine 14.2.16 Slot

- 14-core Intel® Core™ i7-13800HRE Processor
- 64 GBytes LPDDR5 IB ECC DRAM
- 1x XMC Site (VITA 42.0 or VITA 61)
- Boot Guard, Secure Boot and TPM 2.0
- 1x 2.5 GBASE-T TSN Ethernet port
- 1x Display Port
- up to 2TB SSD storage with OPAL 2.0 encryption and write protection or 1TB FIPS 140-3 option
- 2x RS232 or 1x RS-422/485
- 1x USB 3.2 and 1x USB 2.0
- 3x GPIO

2 x Mini-PCIe Site Options:

- 2x 10GBE Ethernet
- 1x 1GBE Ethernet TSN
- 4x RS-232/422
- 1x GPS
- 1x WIFI
- 2x CANBUS
- 2x MIL-STD-1553
- 4x ARINC-429
- for additional options contact Concurrent

XMC Site Options:

- 1x Nvidia Blackwell GPU
- 1x AMD Versal
- 2x 10GBASE-T Ethernet
- 1x 100GBASE-T Ethernet
- 4x 1GBASE-T Ethernet

Power

- power consumption approximately 140 W

Mechanical Specification

- dimensions 6.8" (W) x 3.0" (H) x 10.6" (L) /
- 173mm (W) x 77 mm (H) x 270mm (L) approximate mass 8 lbs / 3.6 kg
- cooling method is cool-plate conduction cooled