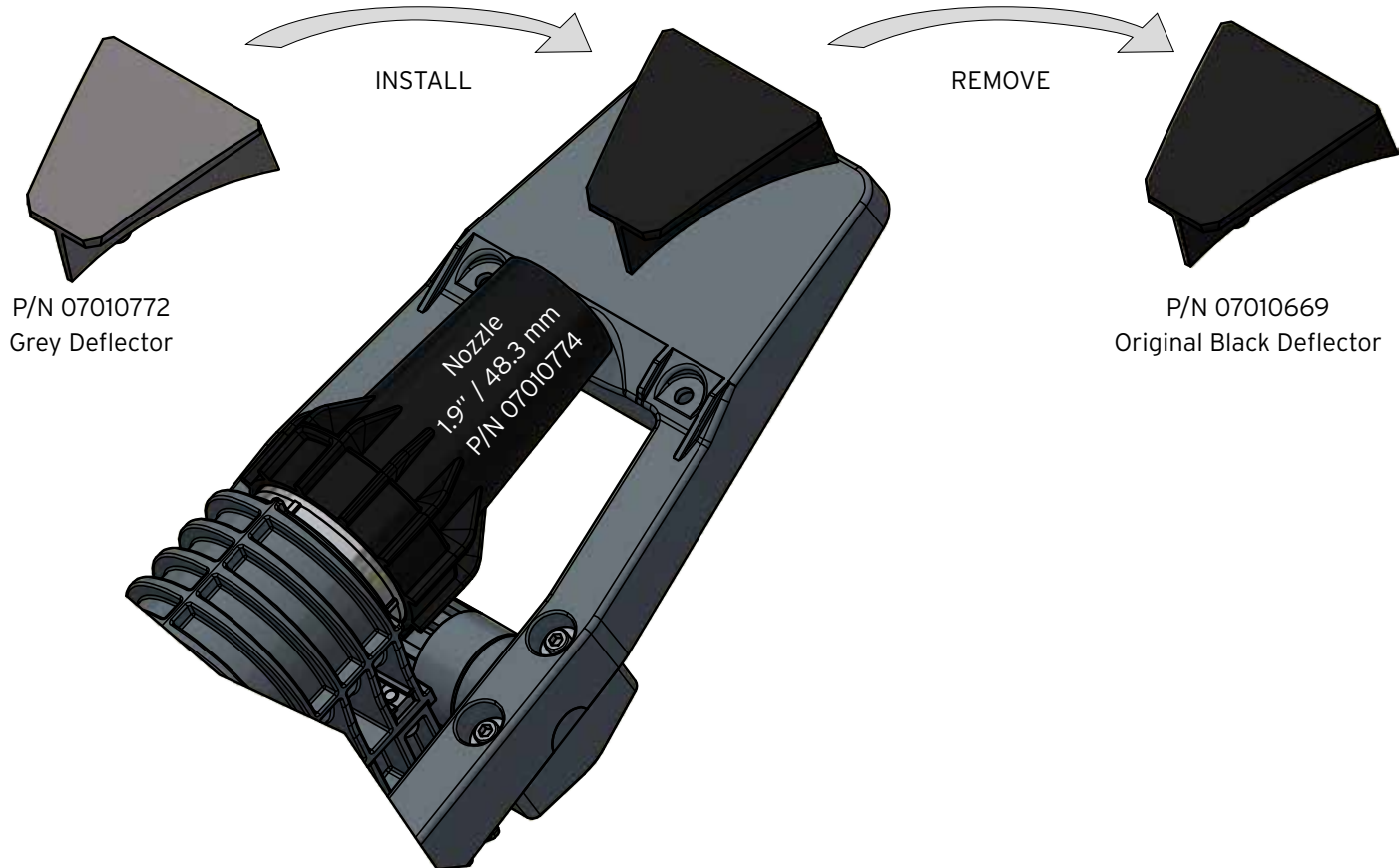




- Never service or adjust the gun while in operation.
- Niemals Arbeiten oder Einstellungen am Regner in Betrieb ausführen.
- Non eseguire operazioni o regolazioni sull'apparecchio in funzione.

- Ne pas faire des interventions ou réglages sur le canon en marche.
- Nunca efectuar trabajos o reglajes sobre el cañon en marcha.
- Nunca efetue manutenção ou ajustes com o canhão em funcionamento.

For use of the KOMET TWIN 202 Ultra with the 1.9" / 48.3 mm nozzle it is necessary to install the grey deflector.
If the deflector is not changed the gun will not start properly.



Note:

At pressures above 100 PSI / 7.2 BAR the drive arm could oscillate to far back and thus hit the lower side of the gun. If this is case, preload the drive arm spring for one notch. Please consult the user manual on page 7, fig. 5a and 5b.

