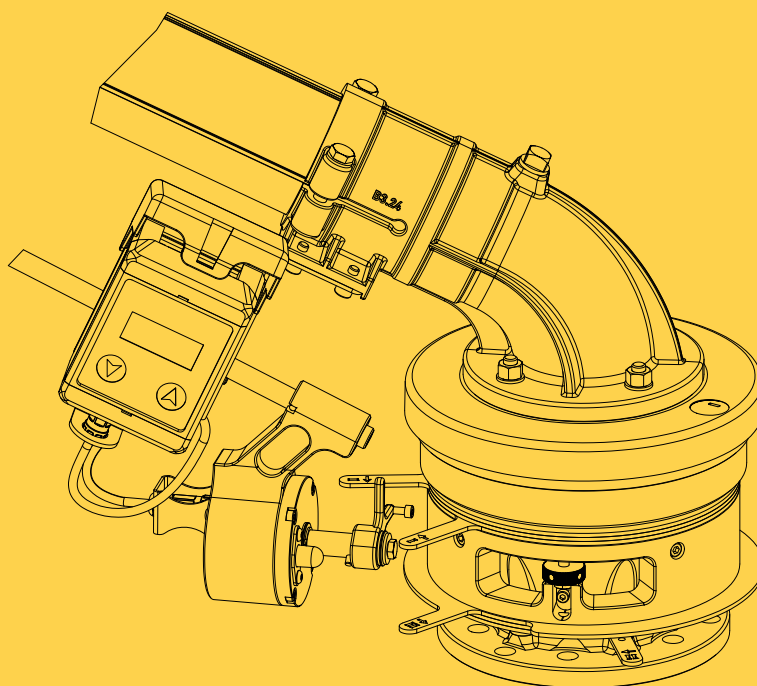


Operating Instructions

komet | *Inverter*

Komet Inverter



> Operating Instructions



English, Deutsch, Italiano, Français

www.kometirrigation.com

THE KOMET ADVANTAGE:
INNOVATION WITH IMPACT

4	Operating instructions - English
16	Gebrauchsanweisung - Deutsch
28	Istruzioni d'uso - Italiano
40	Instructions d'utilisations - Français
52	EC Declaration - EC Erklärung - Dichiarazione CE - Déclaration CE

5	Safety Instructions
6	Preparation of Sprinkler
7	Description of Components
8	Application
9	Function & Positions of the Inverter
10	Set-up of the Inverter for Application "A" (Initial Inversion)
12	Set-up of the Inverter for Application "B" (Regular Retraction)
13	Set-up of the Inverter for Application "C" (Transition to Full-Circle Mode)
13	Security Feature of the Inverter Fork
14	Set, Activate and Start the Timer
15	Battery Replacement

IMPORTANT!

These instructions must be given to the operator. Before operating the Komet Inverter, the operator must read these instructions carefully. Keep these instructions for future reference.

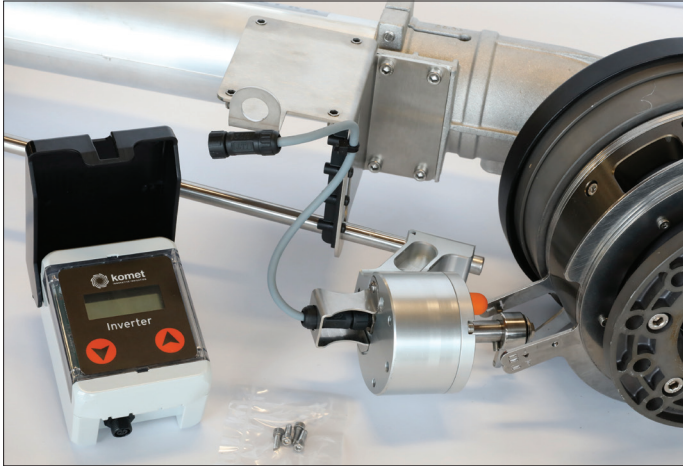
DANGER!**GENERAL SAFETY INSTRUCTIONS FOR THE USE OF BIG VOLUME SPRINKLERS**

1. Do not perform any adjustments or controls while the sprinkler is in operation.
2. Stand clear of the action area of the sprinkler.
3. Stand clear of the high pressure water jet.
4. Insure water jet is not directed toward people, powerlines, roads, buildings or any other objects.
5. Before operating the sprinkler, insure no people are standing in its action area.

DANGER!**SAFETY INSTRUCTIONS FOR THE USE OF THE KOMET INVERTER**

1. Before operation insure that both sector angles are correctly set and the inverter is in the correct position to operate the first sector.
2. The arrows on the sector rings must point towards each other and the inverter fork, in its respective position, needs to be located in between them.
3. Insure that the sector rings are firmly locked.
4. Insure that the timer is activated but has not yet started.
5. Security feature of the inverter fork - insure, that the inverter fork is locked in its defined position.
6. Check battery status.

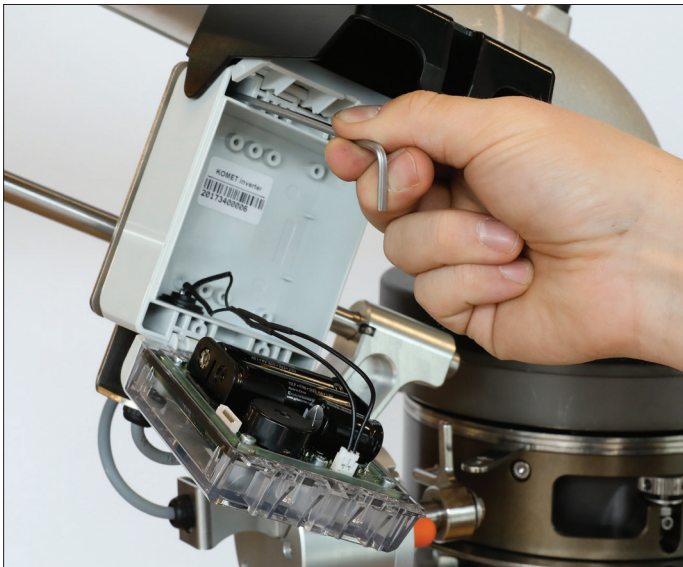
The timer for the Komet Inverter is not preinstalled and must be installed prior to usage:



Turn gun to the side.



Unlock the lid of the timer with a flat screwdriver by **TURNING** the screwdriver, then remove the lid.



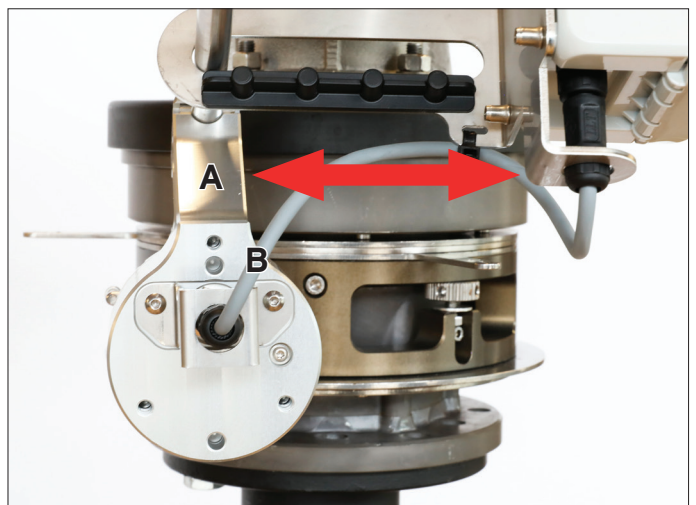
Install the timer with the 4 supplied Allen screws (M4 x 12). Make sure that the plug is facing downwards.



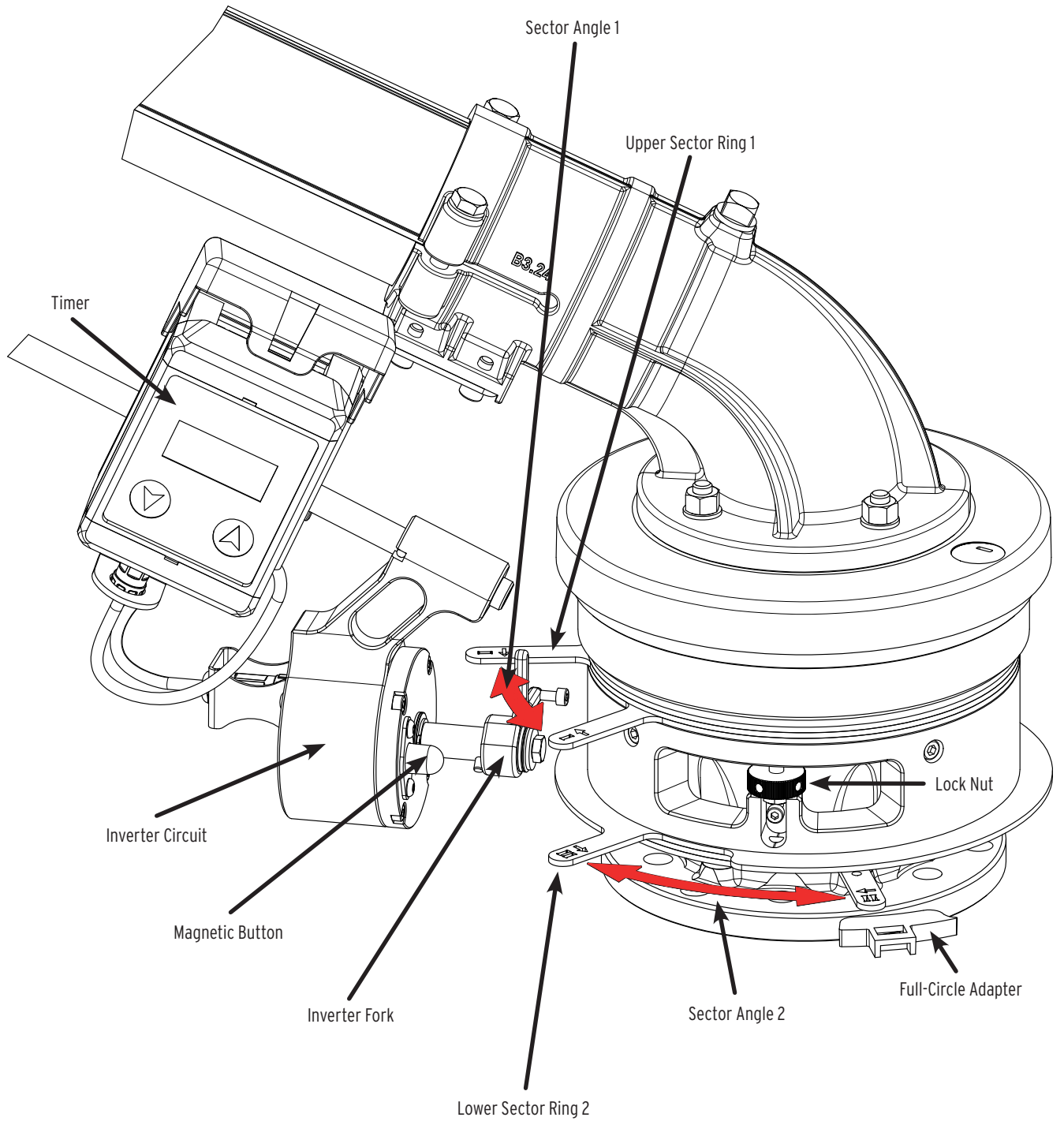
Reinstall the lid and lock it securely.



Connect the plug and screw it in tight.



Move the inverter circuit from left to right (A), make sure that cable (B) does not get under tension.



The patented Komet Inverter allows to operate the gun in two completely independent sector angles. Starting in sector 1, the gun turns automatically into sector 2 after a preset time has elapsed. The required time will be set through a timer.

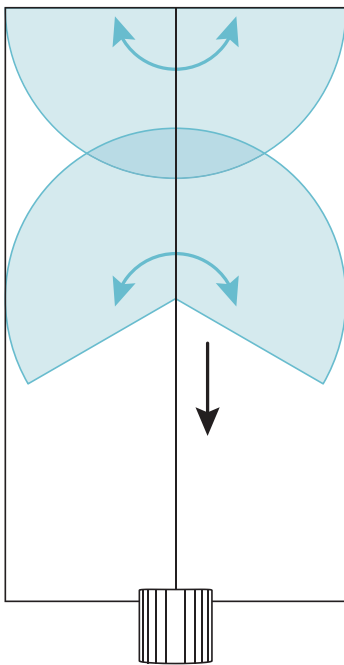
The timer is fitted with an accelerometer. After the time is set, and the timer has been activated, the timer remains in stand-by mode for 36 hours. Within this time frame the gun can be started. As soon as water is running through the gun,

hence the timer triggered through motion, the preset time starts the countdown.

After the 36 hours have elapsed, the timer must be re-activated.

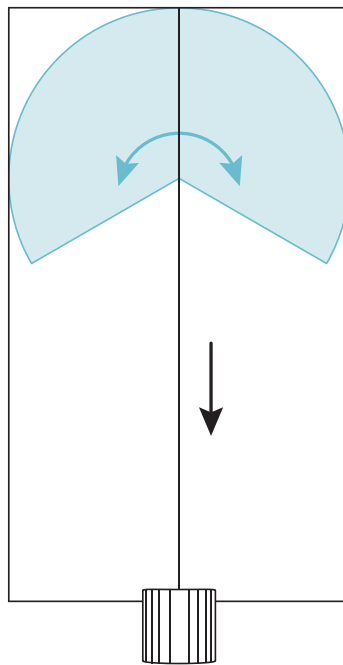
If required, a supplied full-circle adapter can be installed. This allows the gun to change from sector 1 into full-circle operation mode "C", after the preset time has elapsed. The full-circle mode remains active, until the adapter is manually removed.

The Komet Inverter is suitable for the following applications:



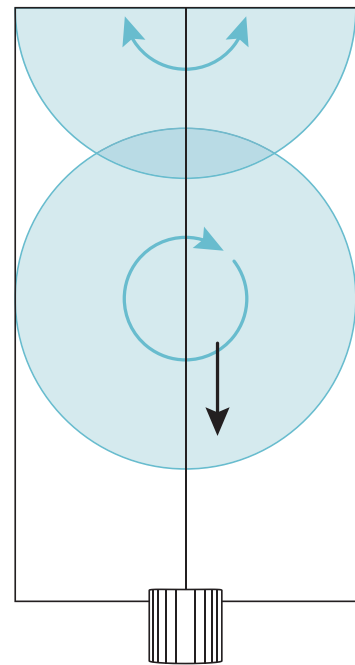
Application "A"

Irrigation with initial inversion of the gun.



Application "B"

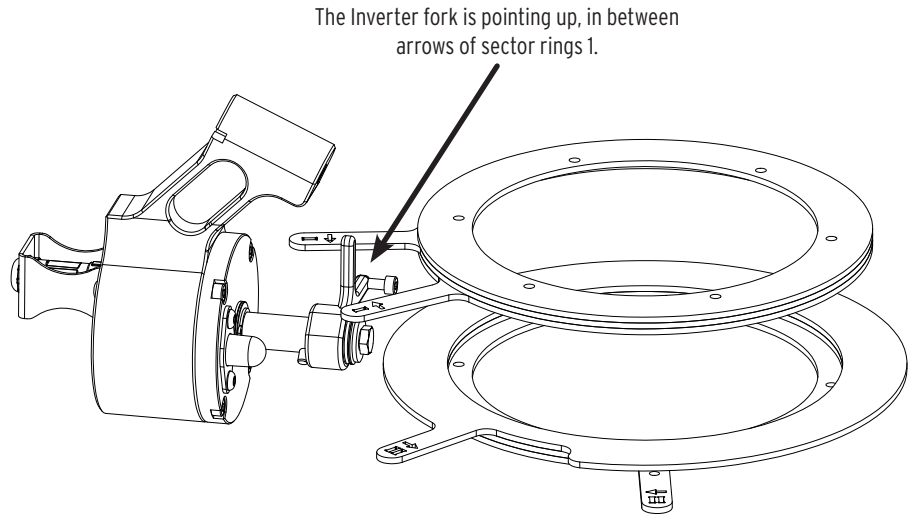
Irrigation with regular retraction of the gun.



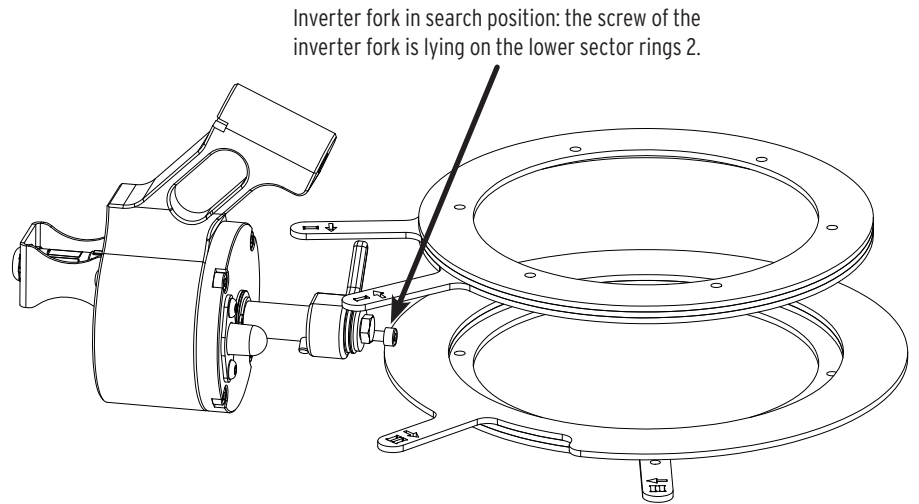
Application "C"

Irrigation with initial inversion and transition to full-circle operation until the end of the irrigation action.

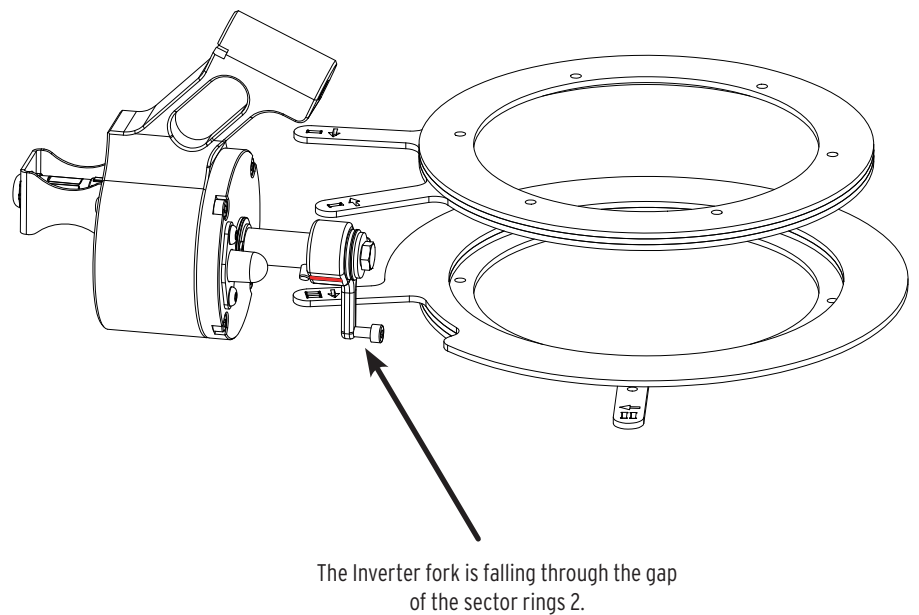
The gun is operating in sector 1, if the inverter fork is in its **basic position**, located between the upper sector rings 1.



After the preset time has elapsed, a magnet is released, unlocking the inverter fork and bringing it into **search position**.



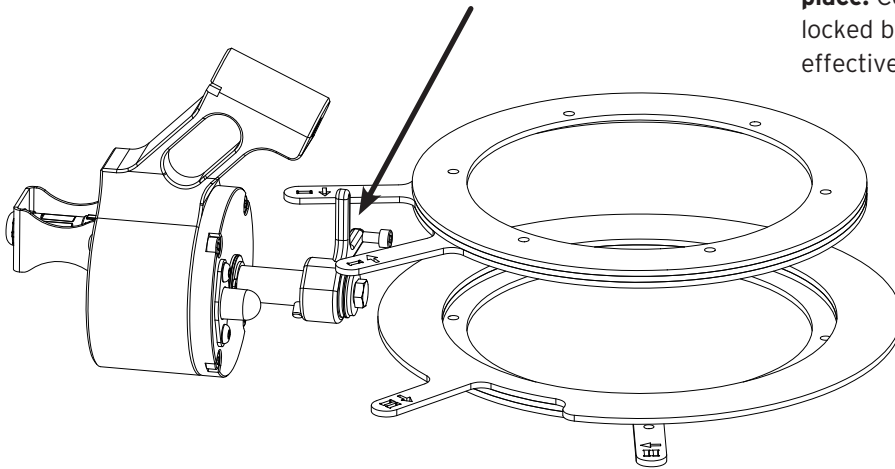
The inverter fork in search position is now moving along the lower sector rings, until the screw is falling through the gap and the inverter fork is locked in its **lower position**. The gun is now operating in sector 2.



1. Set Sector 1

- To set sector 1 (first angle) loosen the upper lock nut. The sector rings 1 are now released and can be brought into the desired position.
ATTENTION! The set sector angle is always lying in between the arrows pointing to each other.
- Make sure, that the inverter fork is positioned **IN BETWEEN** the arrows of the sector rings 1, pointing to each other.

The Inverter fork is positioned in between the arrows of the sector rings 1, pointing to each other



- After the desired angle has been set, tighten the lock nut by hand (without tools).
- If the inverter fork in its basic position (see positions page 9) is located outside of sector 1, turn the inverter fork forcefully clockwise until it can be moved below the arrow of sector ring 1. As soon as the inverter fork is positioned in between the arrows of sector rings 1 pointing to each other, bring the inverter fork into its initial basic position by turning it anti-clockwise.

ATTENTION! The inverter fork must be turned back to its defined position until it clicks into place. Control whether the inverter fork is effectively locked by trying with minimal force to move it. If effectively locked it must stay in place.

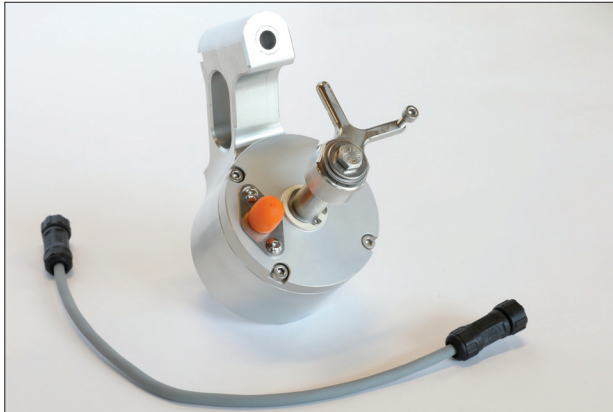
2. Set Sector 2

- To set sector 2 (second angle) loosen the lower lock nut. The sector rings 2 are now released and can be brought into the desired position for sector 2.
- Tighten the lock nut by hand.
- Control that sector rings 1 and 2 are effectively locked by trying to move them.

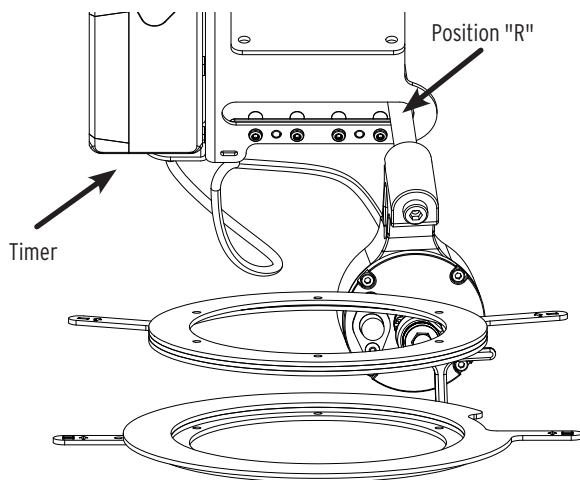


3. Bring the Inverter Fork into its Basic Position

- To operate in sector 1, the inverter fork must be brought into its **basic position**. At that, the upper fork is pointing upwards and is locked by the engaging magnet which has to be pushed in completely.



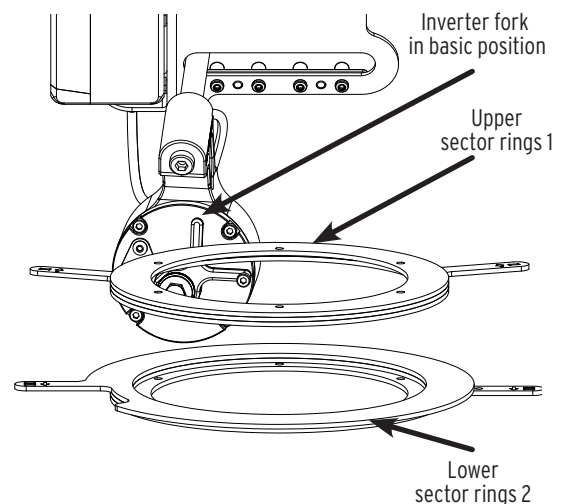
- If the inverter fork is in its lower position (see page 9) continue as following: Make sure that the inverter fork is positioned **in between** the arrows of the sector rings 1, pointing to each other (it is eventually necessary to rotate the sector rings 1 so long, as to guarantee that the inverter fork is located in between them). Bring the inverter circuit into **Position R** (across from timer).



- Now push the magnetic button and **simultaneously** turn the inverter fork anti-clockwise until the magnetic button clicks into place. Control whether the inverter fork is effectively locked by trying to turn the inverter fork again with minimal force. In case it is properly locked, it must not move.



- The inverter is now set in the correct position for application "A".



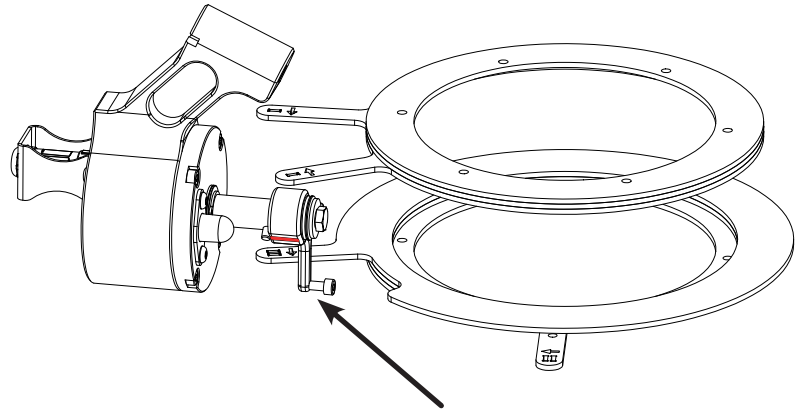
- Control that the first sector angle 1 is correctly set, by rotating the gun to the left and to the right within sector 1. If the inverter fork is correctly locked in place, the inverter fork will not move when hitting the upper sector rings.

4. Set Timer

- Set the time including an eventual pre-irrigation time, for the required time frame to irrigate sector 1 (page 14).
- As soon as the timer is activated, it remains active, in stand-by mode, for 36 hours.
- After activation the timer has a delay of 60 seconds. During this time the countdown will NOT start, enabling the user to leave the irrigation cart without triggering the timer.
- The countdown starts, as soon as water is running through the gun or the gun is moved otherwise.

1. Set Sector 2

- If the gun is operated only in one sector angle, the lower sector rings 2 should be used.
- Loosen the lower lock nut and move the sector rings 2 into the required position. **ATTENTION! The set sector angle is always lying in between the arrows pointing to each other.**
- If the inverter fork is already in its **lower position**, make sure the inverter fork is positioned in between the arrows of sector rings 2 pointing to each other.

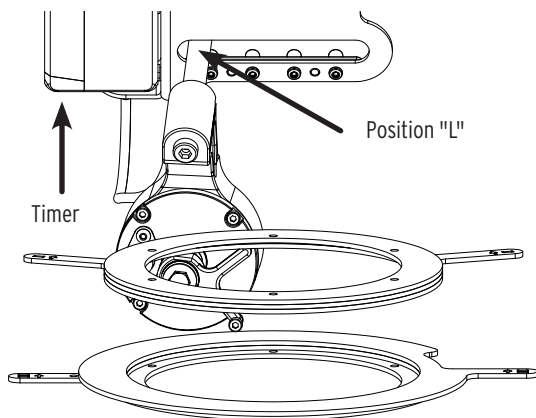


Inverter fork in its lower position, in between arrows of sector rings 2 pointing to each other.

2. Bring the Inverter Fork in its Lower Position

Is the inverter fork in its basic position (see page 9), hence not yet in its lower position, continue as following:

- The inverter fork in its basic position must be positioned in between the arrows of **sector rings 1**. Sector 1 can be chosen freely.
- Bring sector circuit into **Position L** - sector circuit must be located beneath timer.



- Set the timer for 1 minute (setting of timer see page 14).
- Start timer by pushing the drive arm down and letting it swing up again. Consider that the countdown can only be activated after 60 seconds. After activation wait until time has elapsed.

- After approx. 1 minute, the magnet releases and the inverter fork will be unlocked (a clicking sound is audible).
- Now turn the gun anti-clockwise until the bolt of the lower inverter fork is falling through the gap of the sector rings 2.
- The inverter fork is now locked in lower position and the gun can operate in sector angle 2.



- Control that the inverter is correctly preset, by turning the gun to the left and to the right within sector 2. If the inverter is correctly set, the inverter fork will not move when hitting the lower sector rings 2.

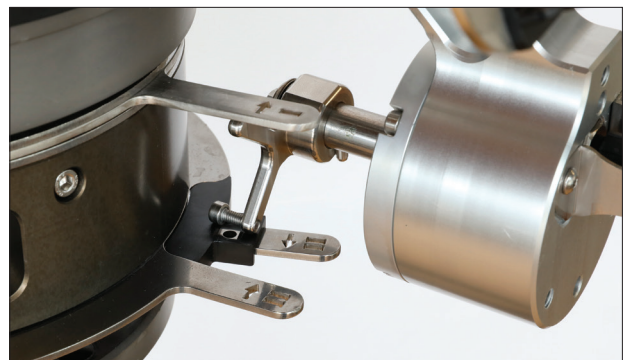
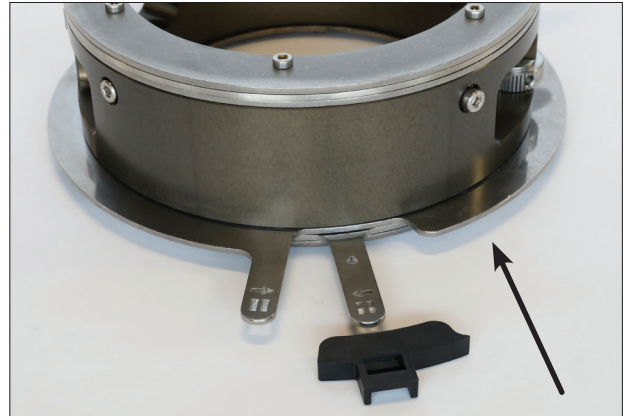
1. Set Sector 1

- Set sector 1 as described in application "A", paragraph 1. *Set Sector 1* (page 10).
- Make sure that the inverter fork is in its **basic position** is located in **between** the arrows of the sector rings 1 pointing to each other.

2. Install Full-Circle Adapter

- To ensure that after operating in sector 1 the gun will change into full-circle operation, the full-circle adapter must be manually installed onto the lower sector rings 2.
- Loosen the lower lock nut and move the lower sector rings 2 towards each other, so far as to make sure that the adapter is covering the entire gap.
- The full-circle adapter is now forming a continuous surface preventing the screw of the lower inverter fork to fall through the gap.
- Set the timer for sector 1 and activate it (page 14).

IMPORTANT! When the gun has changed from sector 1 to full-circle mode, the gun will continue to operate in full-circle mode until the full-circle adapter is manually removed.

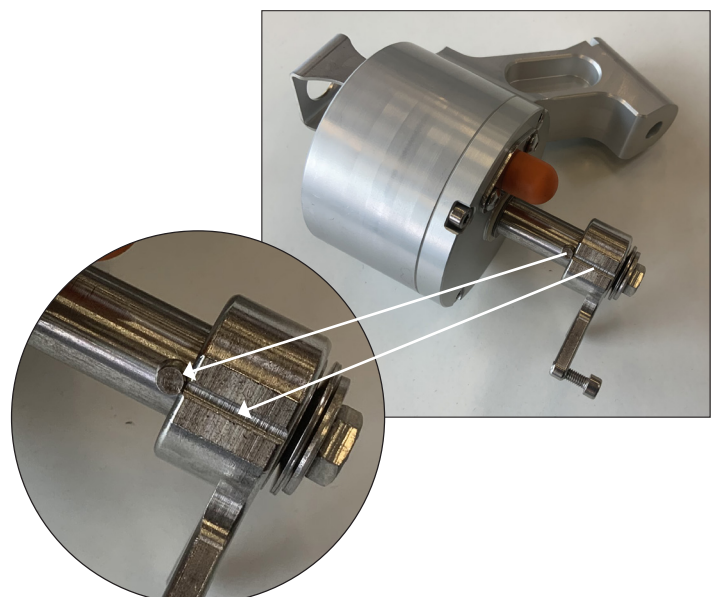


Security Feature of the Inverter Fork

The implemented security feature of the inverter fork should prevent damage to the sector assembly, in case of forceful movements (for example swinging of the gun during repositioning of the irrigation machine).

ATTENTION! Has the inverter fork forcefully been moved from its defined basic position, make sure to bring it back to its defined position before operating the gun.

There is only one defined position for the inverter fork. In this position the notch on the inverter fork engages with the pin in the shaft.



Calculate required time until inversion

Usually the preset time at least needs to cover the time frame needed to retract the throw radius R of the gun, including an eventual pre-irrigation time (delay of retraction). The known values, speed of retraction "v" of the irrigation machine in m/h (meter/hour) and throw radius "R" of the gun in m (meter) result in the following formula:

$$\text{Time } t \text{ (min)} = \frac{\text{Throw Radius of Gun } R \text{ (m)}}{\text{Speed of Retraction } v \left(\frac{\text{m}}{\text{h}}\right)} * 60 + \text{Delay of Retraction}$$

Example

Speed of the hose retraction = 20 m/h - Throw radius of the gun = 60 m - Delay of retraction = 15 min.

$$t = \frac{60}{20} * 60 + 15 = 195 \text{ min}$$

Setting of the time

- Press any button until only the number on the right side starts blinking. Then set the required time (in minutes) with the arrow buttons. After setting the time, wait **4 seconds** until the display goes black. **The defined time remains stored, until it is manually changed.**



Activation of timer

- The last set time remains stored in the timer's memory. Push any button to bring the timer into stand-by mode. The symbol "S." is blinking on the left side.
- On the right side, the predefined time is blinking. The timer is now activated. It remains active, in stand-by mode, for 36 hours.



Start of Countdown

- The countdown of the timer starts automatically through the implemented accelerometer. The accelerometer will be triggered through an abrupt movement of the gun (for example if water is running through the gun).
- During the countdown the dot symbol "." is blinking and the remaining time is shown on the right side of the display. After the time has elapsed the gun automatically performs the inversion.

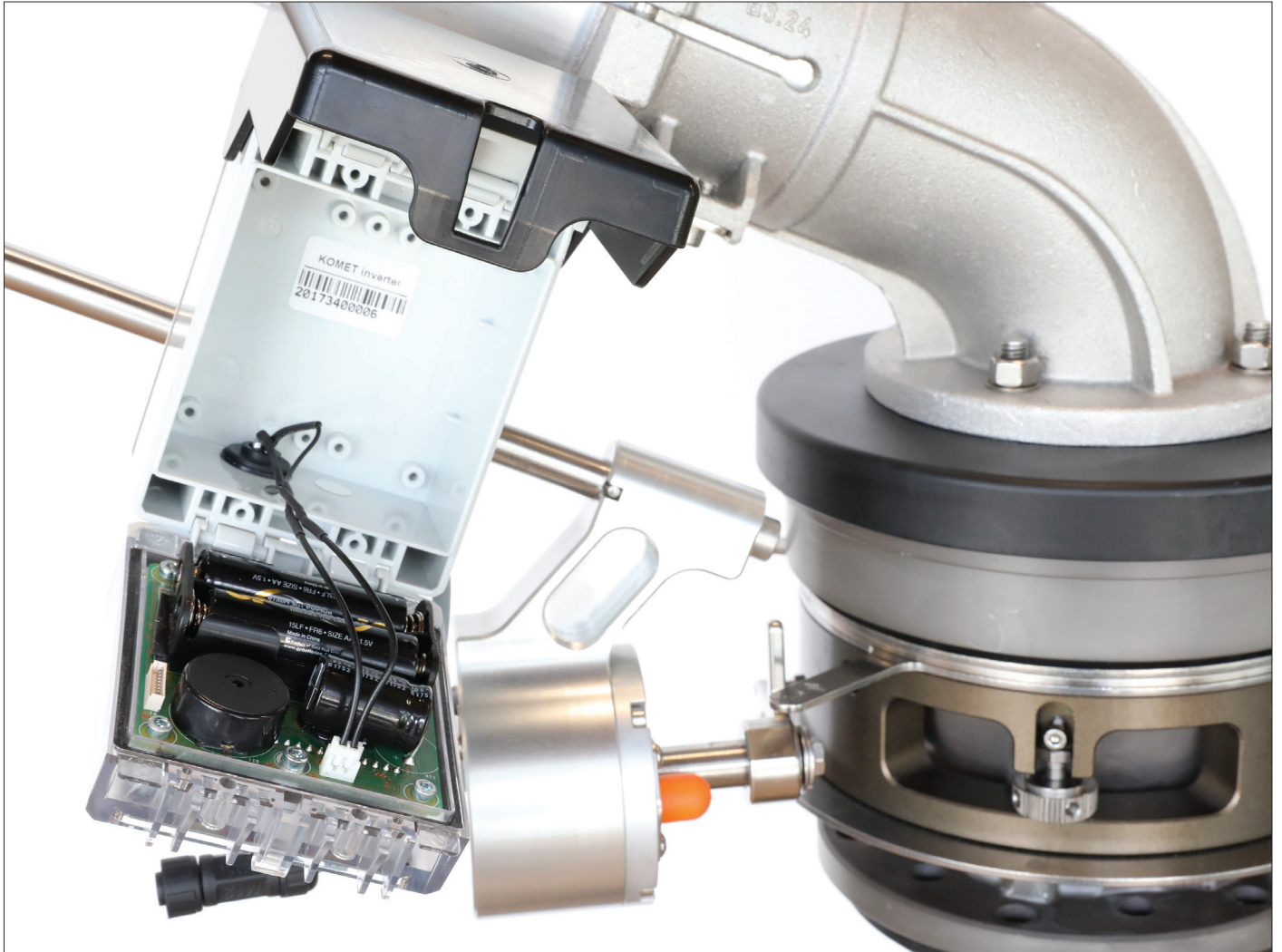
ATTENTION! The timer is very sensitive. Before leaving the irrigation cart, make sure that the timer is activated but has not yet started the countdown.



Functionality control

In case the functionality of the timer is controlled while it is not installed on the gun, make sure to keep the timer in a vertical position during the test. A horizontal alignment may already trigger the accelerometer of the timer and start the countdown.

In case of weak batteries, the symbol "**b**" appears on the display of the timer. The batteries should be changed. The included lithium-ion batteries are expected to have a life time of 6 years. Alternatively, regular 1.5V AA batteries can be used. The expected life time of this kind of batteries is approximately 1 year. To replace the batteries, open the lid, exchange the batteries and close the lid again (see page 6). When changing the batteries, make sure that no liquids are entering the housing to avoid oxidation of electrical parts.



17	Sicherheitshinweise
18	Vorbereitung des Regners
19	Komponentenbeschreibung
20	Anwendung
21	Funktionsweise & Positionen
22	Einstellung des Inverters für Anwendung "A" (Anfangsinversion)
24	Einstellung des Inverters für Anwendung "B" (normaler Einzug)
25	Einstellung des Inverters für Anwendung "C" (Übergang in die Kreisfunktion)
25	Sicherheitsfunktion der Invertergabel
26	Timer einstellen, aktivieren und starten
27	Batteriewechsel

WICHTIG!

Diese Bedienungsanleitung muss dem Betreiber des Gerätes ausgehändigt werden. Vor Inbetriebnahme ist der Betreiber verpflichtet die Betriebsanleitung durchzulesen. Die Sicherheitshinweise müssen befolgt werden. Diese Betriebsanleitung ist aufzubewahren.

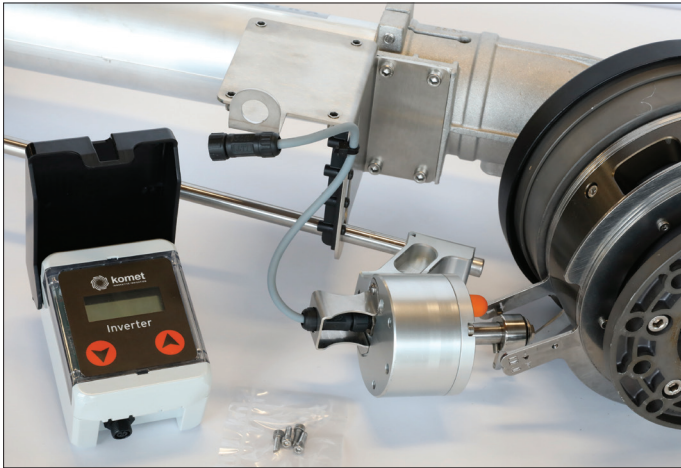
GEFAHR!**ALLGEMEINE WARNHINWEISE FÜR DIE BENUTZUNG VON GROSSFLÄCHENREGNER**

1. Keine Einstellungen oder Kontrollen am laufendem Regner vornehmen.
2. Halten Sie sich nicht im Arbeitsfeld des Regners auf.
3. Halten Sie sich nicht im Bereich des Hochdruck-Wasserstrahls auf.
4. Stellen Sie sicher, dass der Wasserstrahl nicht auf Personen, Hochspannungsleitungen, Straßen, Häuser oder andere Objekte gerichtet ist.
5. Vor dem Einschalten des Regners überprüfen, dass sich keine Personen im Arbeitsbereich des Regners aufhalten.

GEFAHR!**WARNHINWEISE FÜR DIE INBETRIEBNAHME DES KOMET INVERTERS**

1. Vergewissern Sie sich, dass vor Inbetriebnahme des Regners die Sektorwinkel richtig eingestellt sind und dass der Regner für die Beregnung des ersten Sektorwinkels richtig positioniert ist.
2. Die Pfeile auf den Sektorscheiben müssen zueinander zeigen und der jeweilige Finger der Invertergabel muss sich zwischen den Pfeilen befinden.
3. Kontrollieren Sie, dass die Sektorscheiben gut blockiert sind.
4. Kontrollieren Sie, dass der Timer aktiviert aber nicht schon gestartet ist.
5. Sicherheitsfunktion der Invertergabel - stellen Sie sicher, dass die Invertergabel in ihrer definierten Position eingerastet ist.
6. Überprüfen Sie den Batteriestatus.

Der Timer für den Komet Inverter ist nicht vormontiert und muss daher vor Inbetriebnahme am Regner angebaut werden:



Regner auf die Seite drehen.



Deckel des Timers mit einem Schraubenzieher durch **DREHEN** des Schraubenziehers entriegeln und abnehmen.



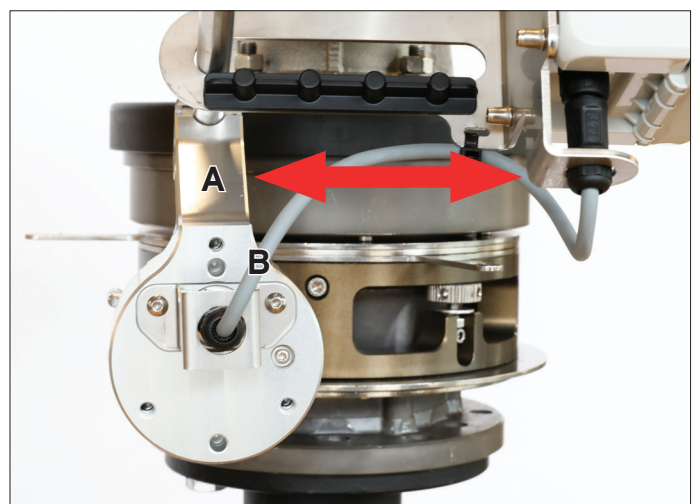
Den Timer mit den 4 mitgelieferten Inbus-Schrauben (M4 x 12) so montieren, dass der Stecker nach unten zeigt.



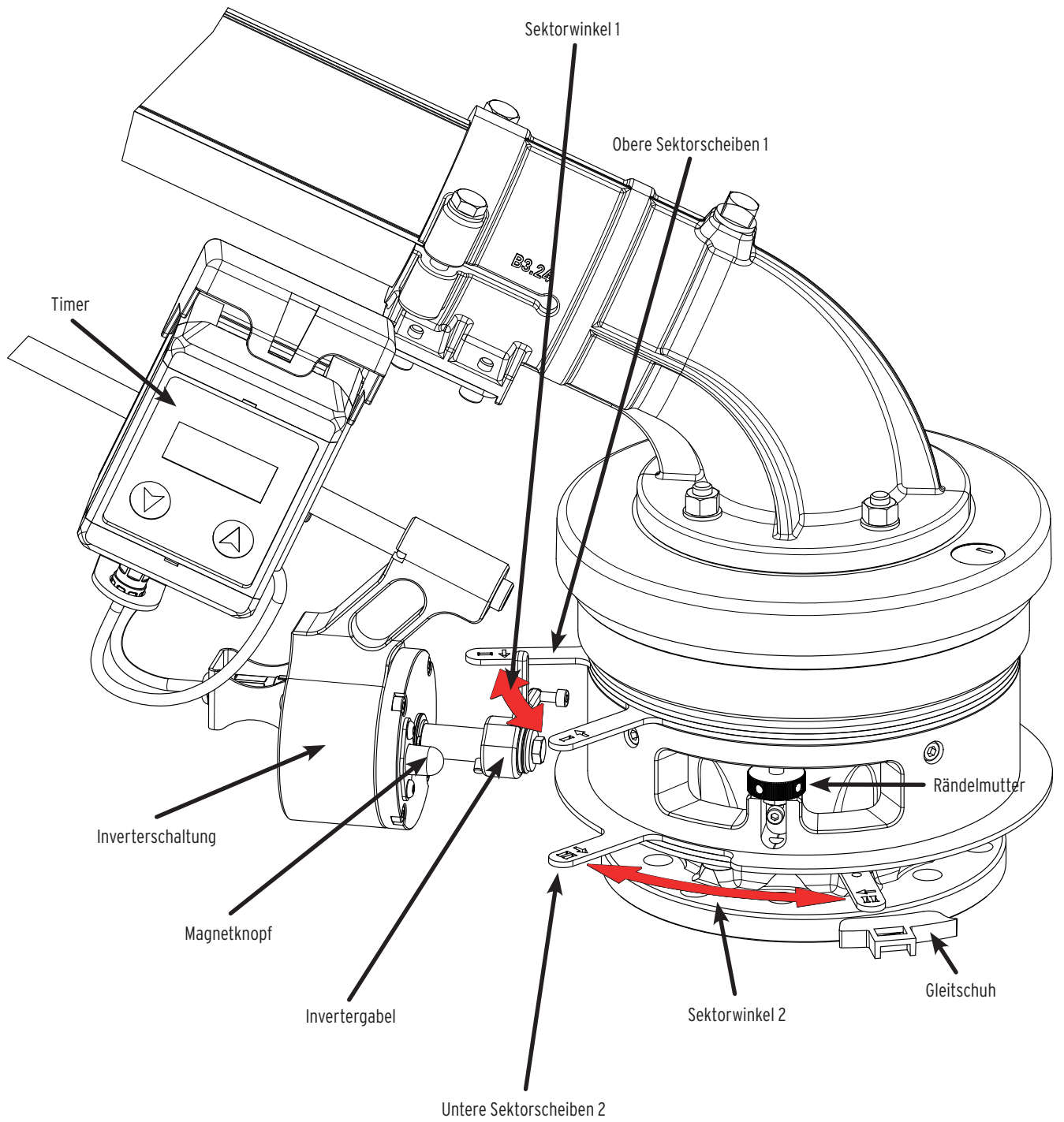
Deckel wieder aufsetzen und verriegeln.



Stecker anstecken und festschrauben.



Inverterschaltung von links nach rechts bewegen (A), dabei kontrollieren, dass das Kabel (B) nicht unter Zug kommt.



Der patentierte Komet Inverter erlaubt es, den Regner in zwei voneinander unabhängigen Sektoren arbeiten zu lassen. Der Regner startet im Sektorwinkel 1 und wechselt nach Ablauf einer mittels Timer voreingestellten Zeit automatisch in den Sektorwinkel 2.

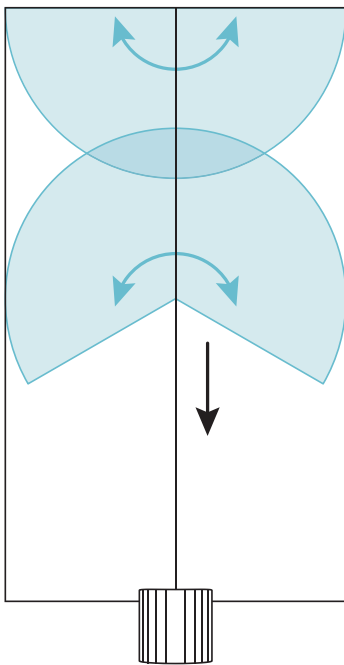
Der Timer ist mit einem Beschleunigungssensor ausgestattet. Nach Einstellung des Timers befindet sich dieser in Wartestellung und bleibt für 36 Stunden aktiv. Innerhalb dieser Zeit kann der Regner gestartet werden. Sobald Wasser durch den Regner fließt, dieser also mittels

Bewegung aktiviert wird, beginnt die vorprogrammierte Zeit abzulaufen.

Nach Ablauf der 36 Stunden muss der Timer neu aktiviert werden.

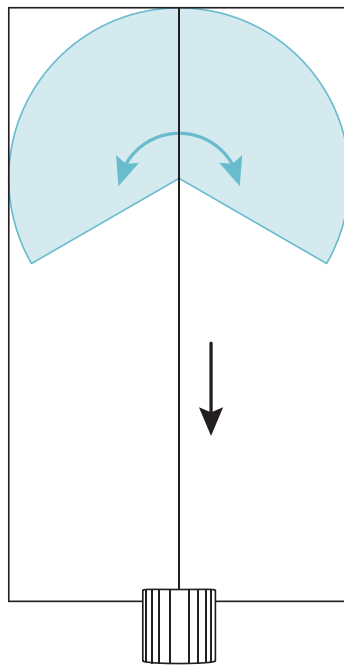
Bei Bedarf erlaubt ein aufsteckbarer Gleitschuh, den Regner nach Ablauf der voreingestellten Zeit, von Sektor 1 in Kreisberegnungsfunktion "C" übergehen zu lassen. Die Kreisberegnungsfunktion bleibt bis zum manuellen Entfernen des Gleitschuhs aufrecht.

Für folgende Anwendungen ist der Komet Inverter geeignet:



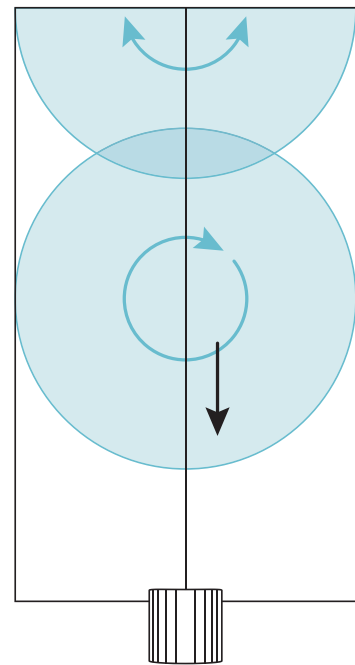
Anwendung "A"

Beregnung mit
Anfangsinversion des Regners



Anwendung "B"

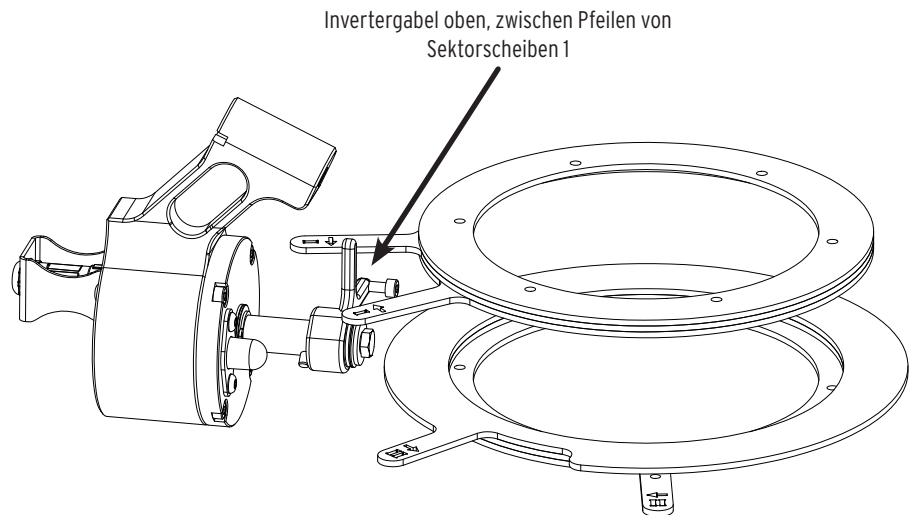
Beregnung mit normalem
Einzug des Regners



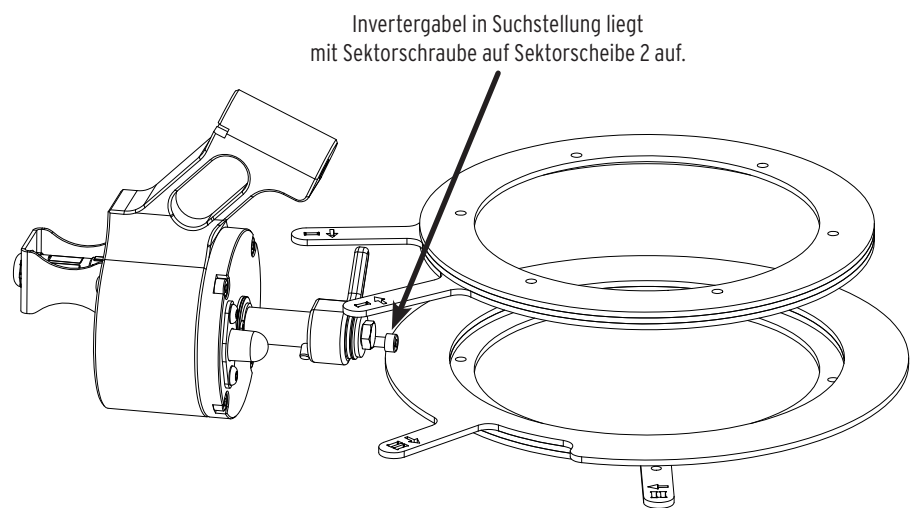
Anwendung "C"

Beregnung mit
Anfangsinversion und
automatischen Übergang in
Kreisberegnung bis zum Ende
des Beregnungszyklus

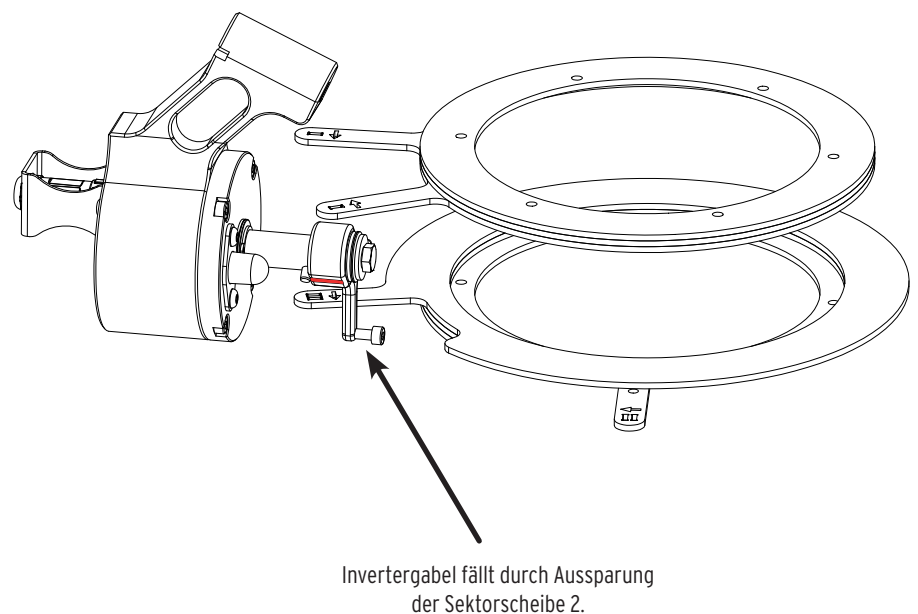
Der Regner arbeitet im Sektor 1, wenn sich die Invertergabel in **Grundstellung** zwischen den oberen Sektorscheiben 1 befindet.



Nach Ablauf des Timers, wird ein Magnet gelöst, welcher die Invertergabel löst und in **Suchstellung** bringt.



Die Invertergabel fährt nun in Suchstellung auf den unteren Sektorscheiben entlang, bis sie durch die Aussparung fällt, in **Position Unten** einrastet, und im Sektor 2 weiterarbeitet.

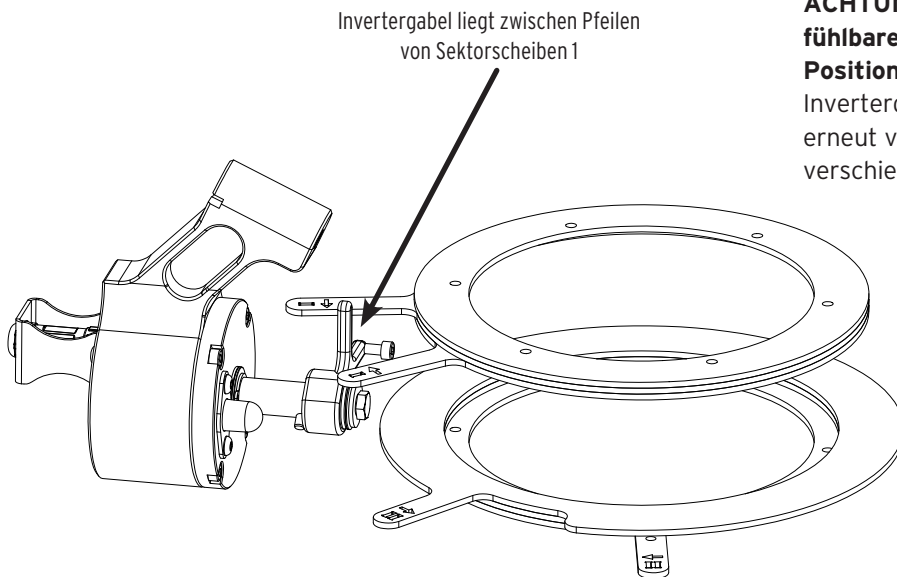


1. Sektor 1 einstellen

- Zum Einstellen des Sektors 1 (erster Sektor) lösen Sie die obere Rändelmutter. Die Sektorscheiben 1 sind nun frei und können in die jeweilige Position gebracht werden.

ACHTUNG! Der eingestellte Sektorwinkel liegt immer zwischen den zueinander zeigenden Pfeilen.

- Achten Sie dabei darauf, dass die Invertergabel **ZWISCHEN** den zueinander zeigenden Pfeilen der Sektorscheiben 1 liegt.



- Wurde der gewünschte Sektor 1 eingestellt, fixieren Sie die Rändelmutter oben von Hand (ohne Werkzeug).
- Sollte sich die Invertergabel in Grundstellung (siehe Positionen Seite 21) außerhalb des Sektors 1 befinden, können Sie diese mit Kraft im Uhrzeigersinn drehen, bis sie unterhalb des Pfeiles der Sektorscheibe 1 hindurchgeht. Danach Invertergabel gegen den Uhrzeigersinn zurück in Grundposition bringen.

ACHTUNG! Die Invertergabel muss durch ein fühlbares Einrasten wieder in ihre definierte Position gebracht werden. Kontrollieren Sie ob die Invertergabel tatsächlich eingerastet ist, indem Sie erneut versuchen mit wenig Kraft die Invertergabel zu verschieben.

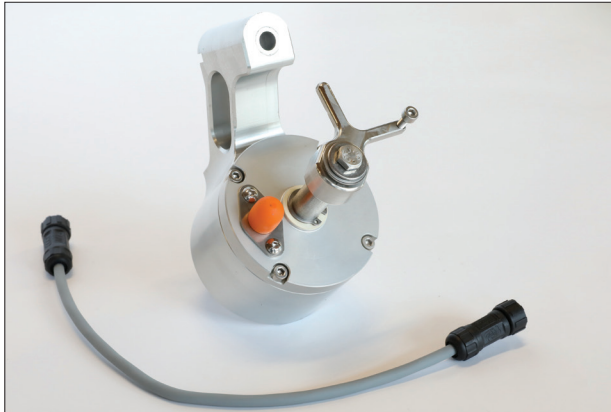
2. Sektor 2 einstellen

- Zum Einstellen des Sektors 2 (zweiter Sektor) lösen Sie die untere Rändelmutter. Die Sektorscheiben 2 sind nun frei und können in die Position für den zweiten Sektor gebracht werden.
- Rändelmutter per Hand fixieren.
- Kontrollieren Sie ob die Sektorscheiben 1 und 2 fixiert sind, indem Sie erneut versuchen beide zu verschieben.

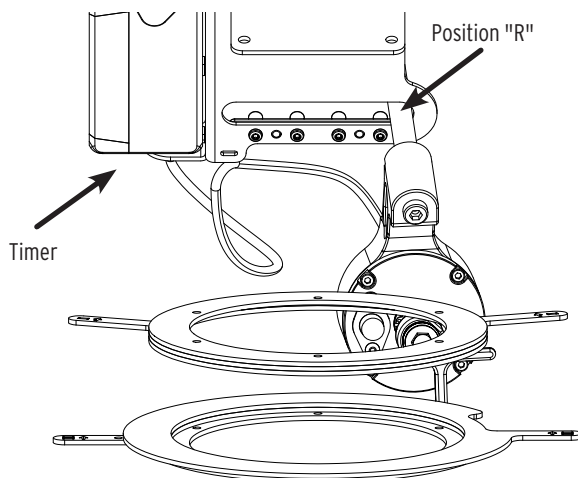


3. Invertergabel in Grundstellung bringen

- Um im Sektor 1 arbeiten zu können, muss die Invertergabel in **Grundstellung** gebracht werden. Dabei zeigt der obere Sektorfinger nach oben und ist blockiert.



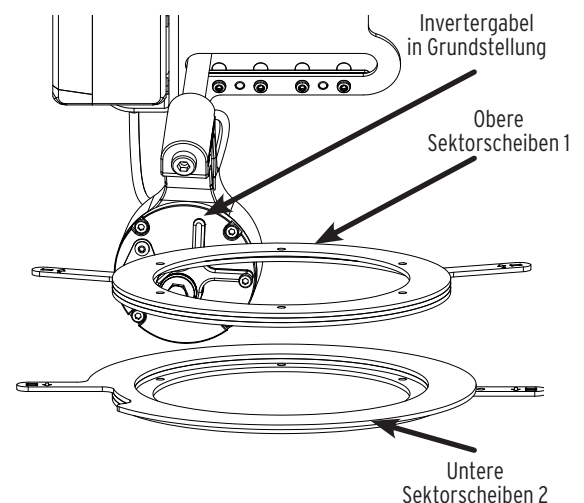
- Sollte sich die Invertergabel in Position Unten (siehe Seite 21) befinden, gehen Sie wie folgt vor: Achten Sie darauf, dass sich die Invertergabel **zwischen** den zueinander zeigenden Pfeilen der Sektorscheiben 1 befindet (fallweise müssen die Sektorscheiben 1 so lange gedreht werden, bis die Invertergabel wieder dazwischen positioniert ist). Bringen Sie die Inverterschaltung auf **Position R** (gegenüber des Timers).



- Drücken Sie nun den Magnetknopf und drehen **gleichzeitig** die Invertergabel gegen den Uhrzeigersinn bis der Magnetknopf einrastet. Kontrollieren Sie ob der Magnetknopf eingerastet ist. Die Invertergabel darf sich bei leichter Kraftwirkung nicht verdrehen lassen.



- Der Inverter befindet sich nun in der Ausgangsposition für die Anwendung "A".



- Kontrollieren Sie ob die Ausgangsposition korrekt eingestellt wurde, indem Sie den Regner im Sektor 1 nach links und nach rechts drehen. Bei korrekter Voreinstellung wird die Invertergabel beim Anschlag an der Sektorscheibe nicht aus Ihrer Position gebracht.

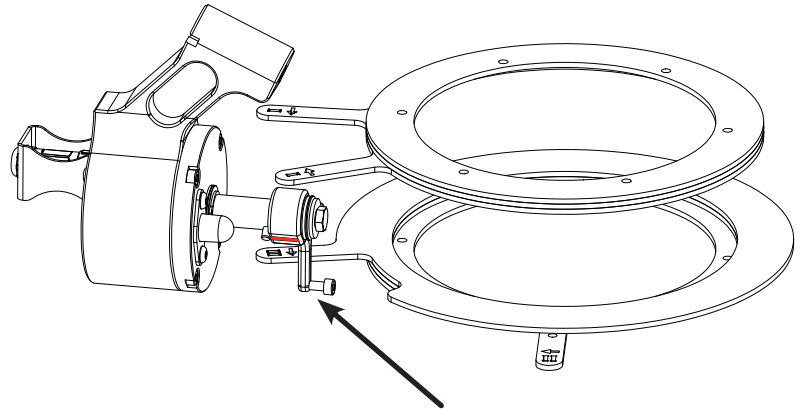
4. Timer einstellen

- Stellen Sie den Timer auf die gewünschte Berechnungszeit des Sektors 1 ein (Seite 26).
- Sobald der Timer aktiviert ist, bleibt er für 36 Stunden aktiv.

- Nach der Aktivierung hat der Timer eine Verzögerung von 60 Sekunden. In dieser Zeit startet der Countdown NICHT, so dass der Benutzer den Regnerwagen verlassen kann, ohne den Timer auszulösen.
- Der Timer beginnt abzulaufen, sobald Wasser durch den Regner fließt oder der Regner anderweitig bewegt wird.

1. Sektor 2 einstellen

- Wird der Regner mit nur einem Sektorwinkel betrieben, werden die untenliegenden Sektorscheiben 2 verwendet.
- Rändelmutter unten lösen und Sektorscheiben 2 in die gewünschte Position bringen.
ACHTUNG! Der eingestellte Sektorwinkel liegt zwischen den zueinander zeigenden Pfeilen.
- Befindet sich die Invertergabel bereits in der **Position Unten**, Invertergabel zwischen den zueinander zeigenden Pfeilen der Sektorscheiben 2 arretieren.

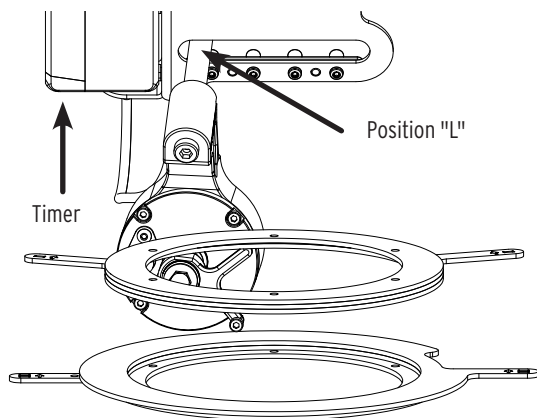


Invertergabel in Position Unten zwischen den zueinander zeigenden Pfeilen der Sektorscheiben 2.

2. Invertergabel in Position Unten bringen

Sollte sich die Invertergabel in Grundposition (siehe Seite 21), also nicht bereits in Position Unten befinden, wie folgt vorgehen.

- Invertergabel in Grundposition muss zwischen den zueinander zeigenden Pfeilen der **Sektorscheiben 1** liegen. Sektor 1 kann beliebig gewählt werden.
- Sektorschaltung in **Position L** bringen - Sektorschaltung muss neben Timer liegen.



- Timer auf 1 Minute stellen (Timereinstellung siehe Seite 26).
- Timer durch Hinabdrücken und Loslassen des Schwinghebels aktivieren und warten bis die Zeit abgelaufen ist. Darauf achten, dass sich der Countdown erst nach 60 Sekunden aktivieren lässt.

- Nach ca. 1 Minute löst die Haltekraft des Magneten und die Invertergabel wird frei (ein Klicken ist zu hören).
- Den Regner nun gegen den Uhrzeigersinn drehen, bis die Schraube am unteren Sektorfinger durch die Aussparung der Sektorscheiben 2 fällt.
- Die Invertergabel ist nun in Position Unten fixiert und der Regner kann im Sektorwinkel 2 arbeiten.



- Kontrollieren Sie ob die Ausgangsposition korrekt eingestellt wurde, indem Sie den Regner im Sektor 2 nach links und nach rechts drehen. Bei korrekter Voreinstellung wird die Invertergabel beim Anschlag an der Sektorscheibe nicht aus Ihrer Position gebracht.

1. Sektor 1 einstellen

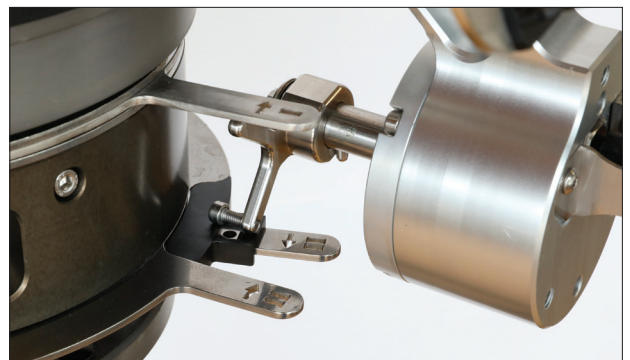
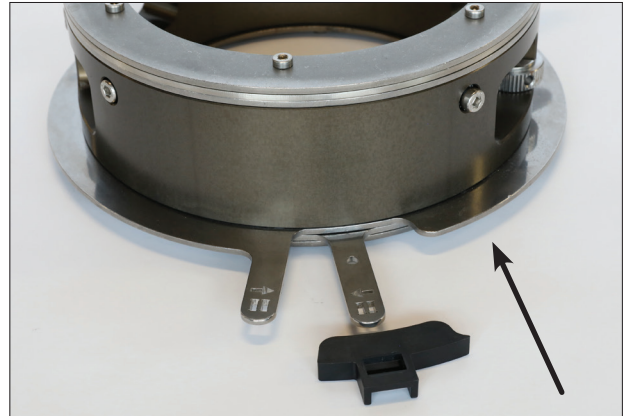
- Stellen Sie den Sektor 1 ein wie für Anwendung "A" (Seite 22), Abschnitt 1. *Sektor 1 einstellen* beschrieben.

- Achten Sie darauf, dass sich die Invertergabel **in Grundstellung** zwischen den zueinander zeigenden Pfeilen des Sektors 1 befindet.

2. Gleitschuh aufschieben

- Um den Regner nach Sektor 1 in die Kreisberechnungsfunktion übergehen zu lassen, muss manuell der Gleitschuh auf die untere Sektorscheibe aufgeschoben werden.
- Lösen Sie dazu die untere Rändelmutter und schieben die beiden Sektorscheiben 2 soweit zueinander, bis der aufgeschobene Gleitschuh die gesamte Aussparung ausfüllt. Danach Rändelmutter unten wieder fixieren.
- Der Gleitschuh bildet nun eine durchgängige Fläche und verhindert, dass die Schraube am unteren Sektorfinger durch die Aussparung fällt.
- Timer für Sektor 1 einstellen und aktivieren (Seite 26).

WICHTIG! Hat der Regner von Sektor 1 in die Kreisfunktion gewechselt, bleibt diese so lange aufrecht, bis der Gleitschuh manuell wieder entfernt wird, ggf. bis zum Maschinen Stopp.

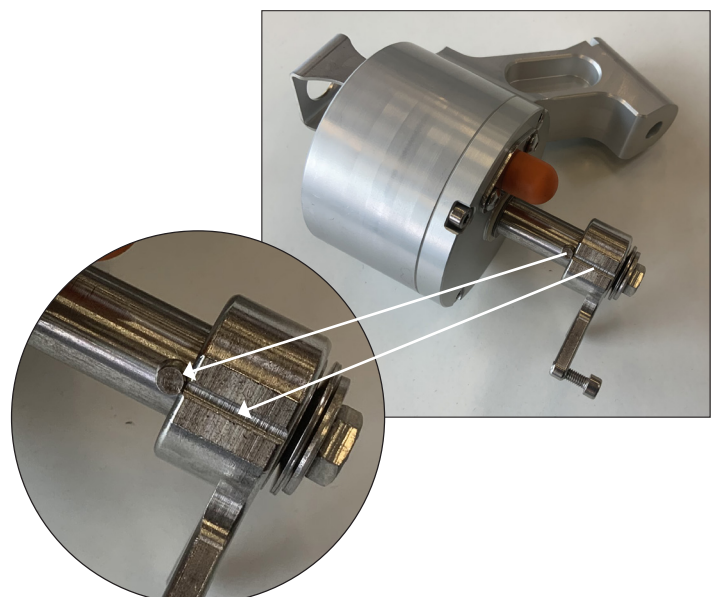


Sicherheitsfunktion der Invertergabel

Die eingebaute Sicherheitsfunktion der Invertergabel soll vermeiden, dass bei großer Krafteinwirkung Schäden am Sektorgestänge entstehen (z.B. durch Hin- und Herschlagen des Regners während der Überstellung der Berechnungsmaschine).

ACHTUNG! Wurde die Invertergabel mit Kraft aus ihrer definierten Position gebracht, muss sichergestellt werden, dass sie vor Inbetriebnahme des Inverters wieder in ihre definierte Position zurückgebracht wurde.

Die Invertergabel hat nur eine definierte Position. In dieser Position rastet die Nut der Invertergabel auf einem Stift ein.



Ermittlung der Zeit bis zur Inversion

Im Normalfall wird solange gewartet, bis sichergestellt ist, dass der Regner nicht mehr über das Feld hinaus beregnet, d.h. es muss mindestens die Zeit vergehen, welche benötigt wird um die Wurfweite R des Regners einzuziehen. Die Einzugs geschwindigkeit „v“ der Maschine in m/h (Meter/Stunde) und die Wurfweite „R“ (in Meter) des Regners sind bekannt. Daraus ergibt sich folgende Formel:

$$\text{Zeit } t \text{ (min)} = \frac{\text{Wurfweite Regner } R \text{ (m)}}{\text{Einzugs geschwindigkeit } v \left(\frac{\text{m}}{\text{h}}\right)} * 60 + \text{Verzögerungszeit Einzugsbeginn}$$

Beispiel

Einzugs geschwindigkeit der Maschine = 20 m/h - Wurfweite Regner = 60 m - Verzögerungszeit Einzugsbeginn = 15 min.

$$t = \frac{60}{20} * 60 + 15 = 195 \text{ min}$$

Einstellen des Timers

- Beliebige Taste so oft drücken, bis nur die Zahl auf der rechten Seite blinkt. Dann die gewünschte Zeit (in Minuten) mit den Pfeiltasten einstellen. Nachdem die Zeit eingestellt wurde, **4 Sekunden warten** bis das Display erlischt. **Die eingestellte Zeit bleibt so lange gespeichert, bis sie geändert wird.**



Aktivieren des Timers

- Die zuletzt programmierte Zeit bleibt gespeichert. Durch Drücken einer beliebigen Taste wird der Timer auf Stand-By gesetzt. Auf der linken Seite des Displays erscheint nun „S.“.
- Auf der rechten Seite blinkt die voreingestellte Zeit in Minuten. Der Timer ist nun aktiviert und befindet sich für 36 Stunden im Stand-By Modus.



Start des Countdowns

- Der Count-Down des Timers startet automatisch durch einen eingebauten Beschleunigungssensor. Dieser wird durch eine ruckartige Bewegung ausgelöst (zum Beispiel wenn Wasser durch den Regner fließt).
- Der Punkt „.“ blinkt und die verbleibende Zeit erscheint auf der rechten Seite des Displays. Nach Ablauf des Count-Downs führt der Regner die Inversion automatisch durch.



ACHTUNG! Der Timer ist sehr bewegungssensitiv. Ein Herabspringen vom Regnerwagen beispielsweise kann den Timer bereits auslösen. Vergewissern Sie sich vor Verlassen des Regnerwagens, dass der Timer aktiviert aber noch nicht gestartet ist.

Funktionskontrolle

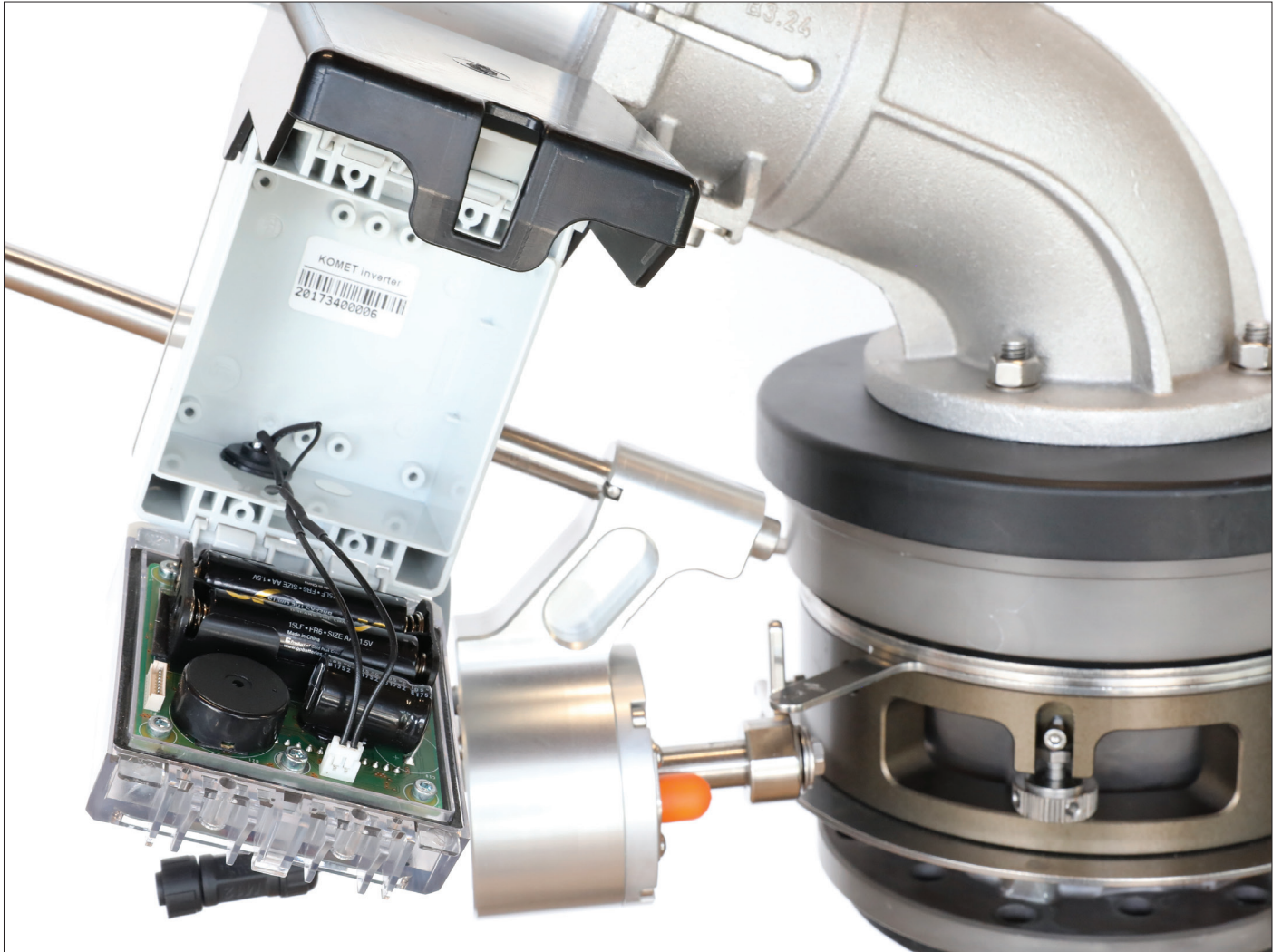
Sollten Sie die Funktion des Timers in nicht montiertem Zustand kontrollieren wollen, achten Sie bitte darauf, während des Funktionstests den Timer vertikal zu halten. Eine horizontale Ausrichtung kann bereits den Beschleunigungssensor und damit den Count-Down des Regners aktivieren.

Im Falle von schwachen Batterien erscheint am Display des Timers das Symbol "b". Die Batterien sollten gewechselt werden. Die verbauten Lithium-Ionen-Batterien sollten eine Lebensdauer von 6 Jahren haben.

Alternativ können auch handelsübliche 1,5V AA Batterien verwendet werden. Die Lebensdauer von handelsüblichen Batterien beträgt im Schnitt 1 Jahr.

Um die Batterien zu wechseln, entfernen Sie den Deckel, tauschen die Batterien und bringen den Deckel wieder an (siehe Seite 18).

Achten Sie beim Wechseln der Batterien darauf, dass keine Feuchtigkeit ins Gehäuse eindringt, ansonsten könnte die Elektronik oxidieren.



29	Avvisi di sicurezza
30	Preparazione dell'irrigatore
31	Descrizione dei componenti
32	Applicazioni del Komet Inverter
33	Funzionamento & posizioni del Komet Inverter
34	Impostazione del Komet Inverter per applicazione "A" (inversione iniziale)
36	Impostazione del Komet Inverter per applicazione "B" (rientro normale)
37	Impostazione del Komet Inverter per applicazione "C" (funzione circolare)
37	Funzione di sicurezza della forcella Inverter
38	Timer: impostazione, attivazione e inizio conto alla rovescia
39	Cambio batterie

IMPORTANTE!

Queste istruzioni d'uso devono essere consegnate all'operatore del dispositivo. Prima della messa in servizio, l'operatore è obbligato a leggere queste istruzioni d'uso.

Tutte le istruzioni di sicurezza devono essere osservate e rispettate.

Queste istruzioni d'uso devono essere conservate per future consultazioni.

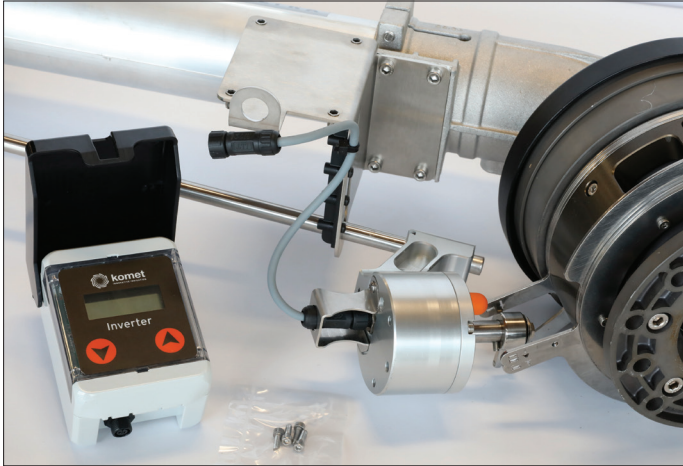
PERICOLO!**AVVERTENZE GENERALI PER L'USO DEGLI IRRIGATORI A LUNGA GITTATA**

1. Non apportare regolazioni o eseguire controlli sull'irrigatore in funzione.
2. Non sostare nell'area di lavoro dell'irrigatore.
3. Non sostare nell'area del getto d'acqua ad alta pressione.
4. Assicurarsi che il getto d'acqua non sia rivolto a persone, linee elettriche, strade, case o altri oggetti.
5. Prima di mettere in funzione l'irrigatore, assicurarsi che non vi si trovino persone nell'area di lavoro dell'irrigatore.

PERICOLO!**AVVERTENZE PER LA MESSA IN FUNZIONE DEL KOMET INVERTER**

1. Assicurarsi che gli angoli settore siano impostati correttamente prima di mettere in funzione l'irrigatore e che l'irrigatore sia orientato correttamente per irrigare il primo angolo settore impostato.
2. Le frecce sui dischi settore devono essere rivolte l'una verso l'altra e la rispettiva leva della forcella Inverter deve trovarsi tra le frecce.
3. Controllare che i dischi settore siano ben bloccati.
4. Controllare che il timer sia stato attivato però non abbia incominciato il conto alla rovescia.
5. Funzione di sicurezza della forcella Inverter, verificare che la forcella Inverter si trovi nella sua posizione di lavoro definita.
6. Verificare stato batteria.

L'irrigatore viene consegnato con il timer non montato. L'utente dovrà montarlo prima della messa in funzione:



Appoggiare l'irrigatore sul fianco in modo che la staffa di montaggio del timer sia rivolta verso l'alto.



Sbloccare il coperchio del timer inserendo un cacciavite nelle apposite fessure. **RUOTARE** il cacciavite per sbloccare il coperchio.



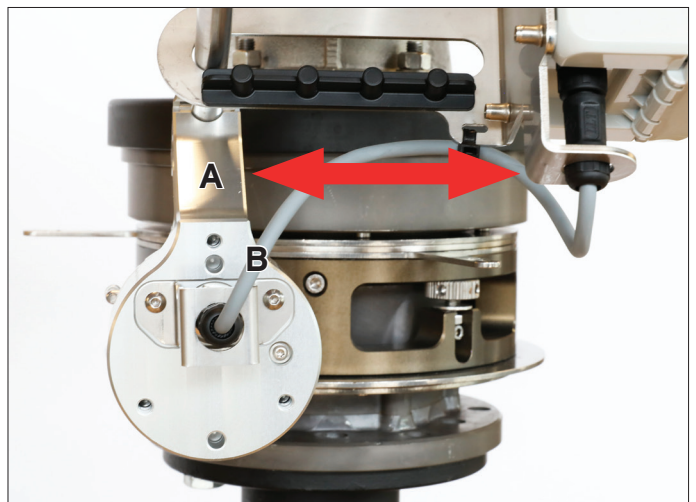
Fissare il timer con le 4 viti testa cava esagonale (M4x12). Assicurarsi che il connettore sia rivolto verso il basso.



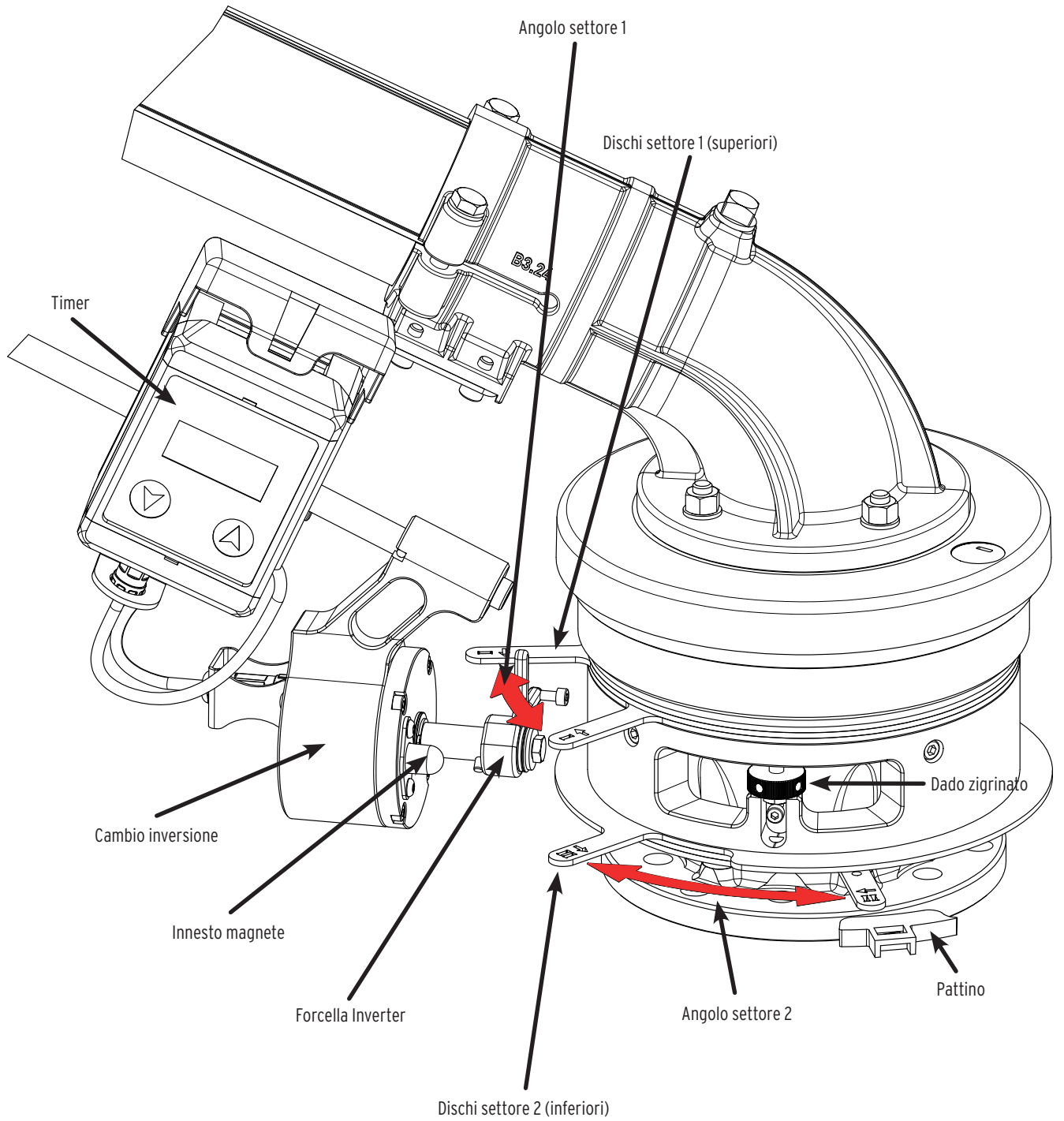
Riposizionare il coperchio e bloccarlo accuratamente con i ganci per evitare infiltrazioni d'acqua nel timer.



Collegare il connettore con il timer ed avvitarlo bene.



Muovere l'asta settore da sinistra a destra (A) e verificare che il cavo (B) non sia sotto tensione.



Il Komet Inverter (brevetto Komet) consente all'irrigatore di operare in due angoli settore indipendenti. L'irrigatore inizia ad irrigare nell'angolo settore 1 e passa automaticamente all'angolo settore 2 dopo il trascorrere di un tempo preimpostato.

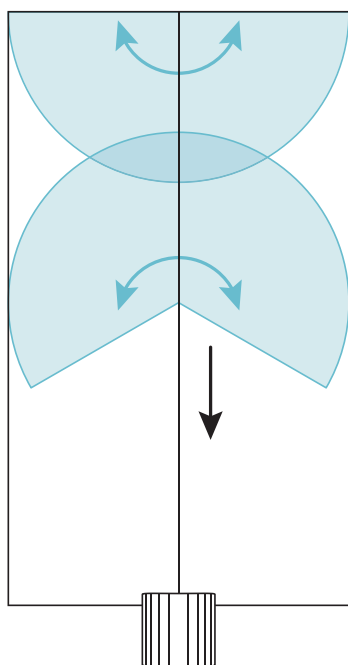
Il timer è dotato di un sensore di accelerazione. Dopo avere impostato ed attivato il timer, esso rimane in attesa dell'avvio dell'irrigatore per 36 ore. Il conto alla rovescia del tempo impostato parte solamente quando un movimento

brusco viene rilevato dal sensore di accelerazione, come p.e. generato dall'irrigatore in funzione.

Dopo le 36 ore, il timer deve essere riattivato.

Se necessario, un pattino applicabile consente all'irrigatore di passare dal settore 1 alla funzione d'irrigazione circolare "C" dopo il trascorrere del tempo preimpostato. La funzione d'irrigazione circolare rimane attiva fino alla rimozione manuale del pattino.

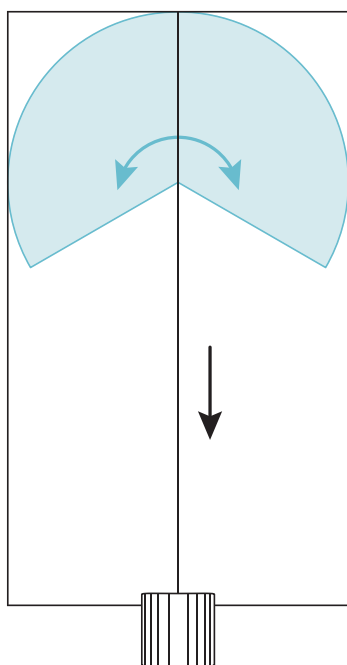
L'inverter Komet è adatto per le seguenti applicazioni:



Applicazione "A"

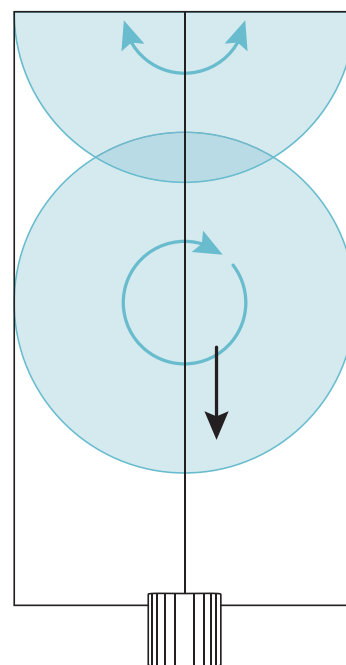
Irrigazione con inversione iniziale dell'irrigatore.

Gli angoli settore possono essere liberamente scelti senza vincoli.



Applicazione "B"

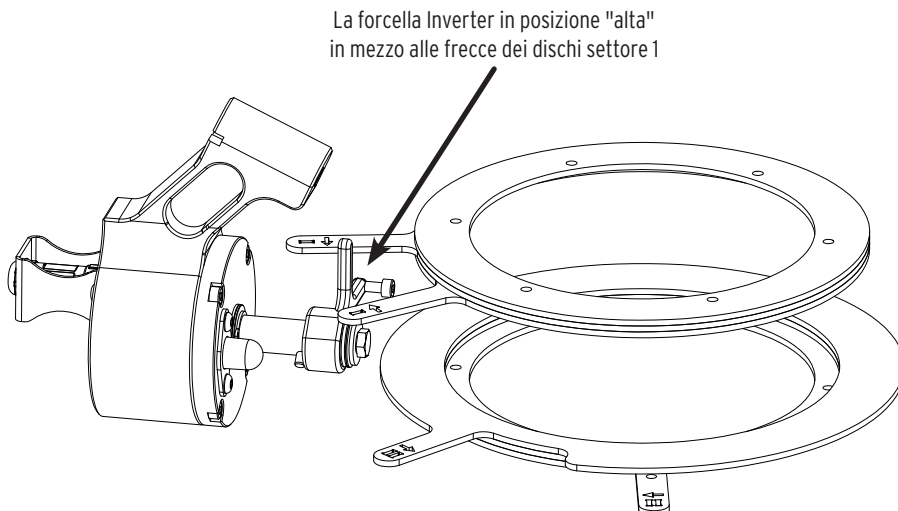
Irrigazione con rientro normale dell'irrigatore.



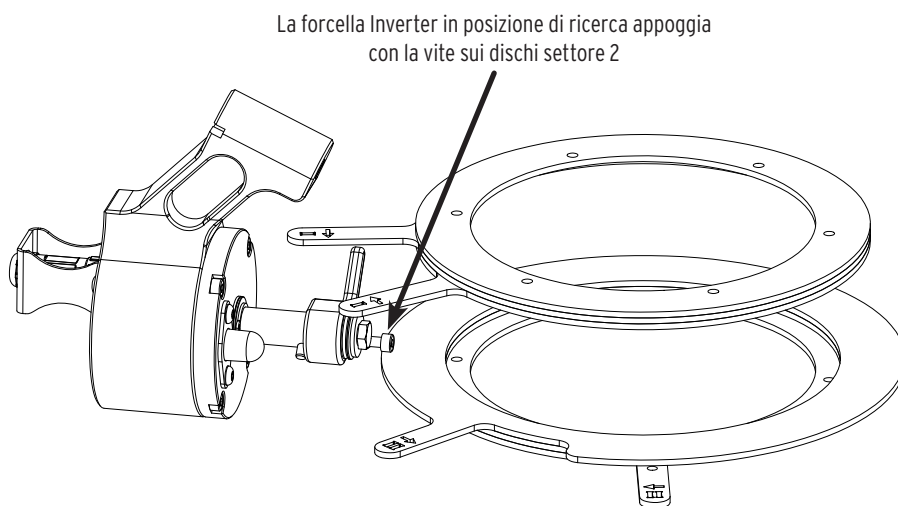
Applicazione "C"

Irrigazione con inversione iniziale e passaggio automatico all'irrigazione circolare fino alla fine del ciclo d'irrigazione.

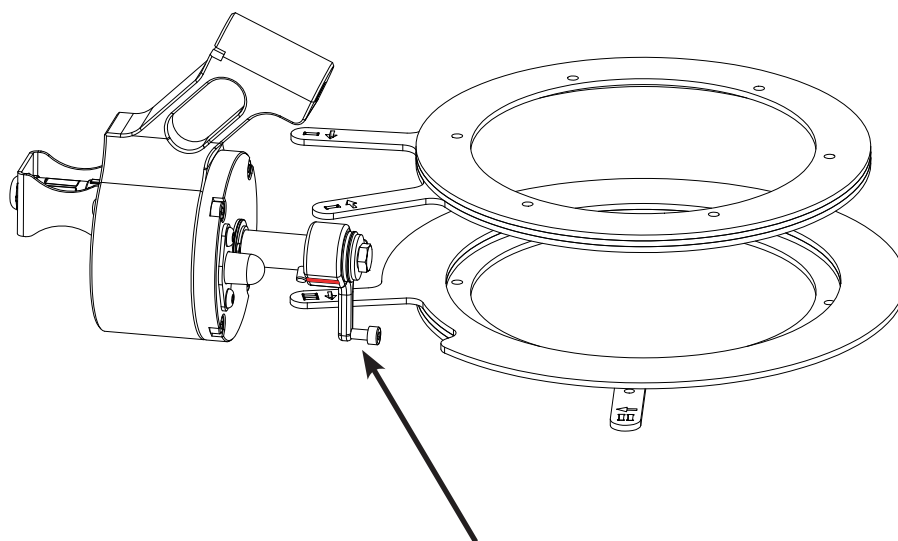
L'irrigatore funziona nel settore 1 quando la forcella Inverter si trova nella **posizione di base** tra i dischi settore superiori 1.



Dopo lo scadere del timer, viene attivato un magnete che libera la forcella Inverter in modo da potere essere portata in **posizione di ricerca**.



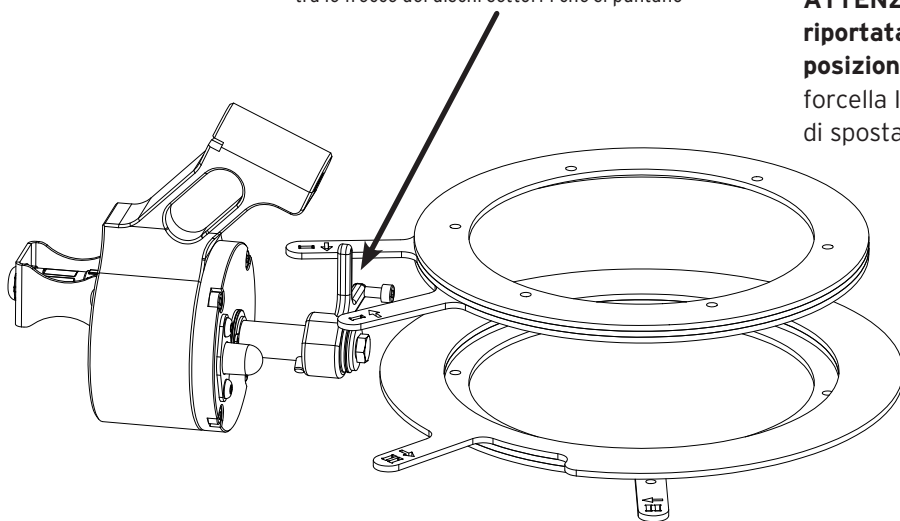
La forcella Inverter scivola sui dischi settore inferiori 2 fino a quando trova l'apertura attraverso la quale cadrà in **posizione bassa**. La forcella Inverter viene bloccata nella posizione bassa. L'irrigatore ora continua a funzionare nell'angolo settore 2.



1. Impostazione dell'angolo settore 1

- Per impostare l'angolo settore 1 (primo settore) allentare il dado zigrinato superiore. I dischi settore 1 ora sono sbloccati e possono essere portati nella desiderata posizione.
ATTENZIONE! L'angolo settore impostato si trova sempre tra le frecce che si puntano.
- Assicurarsi che la forcella Inverter sia posizionata **TRA** le frecce, incise sui dischi settori 1, che si puntano.

La forcella Inverter deve trovarsi tra le frecce dei dischi settori 1 che si puntano



- Una volta impostato l'angolo settore 1 desiderato, bloccare i dischi settore con il dado zigrinato stringendo bene, a mano (senza ausilio di attrezzi).
- Se la forcella Inverter si trovasse nella posizione di base (pagina 33) ma al di fuori dell'angolo settore 1, è possibile forzare il dispositivo di sicurezza della forcella Inverter ruotandola in senso orario fino a quando passa sotto le frecce dei dischi settore 1. Una volta in posizione corretta riportare la forcella Inverter nella posizione verticale, girandola in senso anti orario.

ATTENZIONE! La forcella Inverter deve essere riportata nella sua posizione base. Raggiunta questa posizione si avverte uno scatto. Controllare che la forcella Inverter sia effettivamente bloccata tentando di spostarla con poca forza.

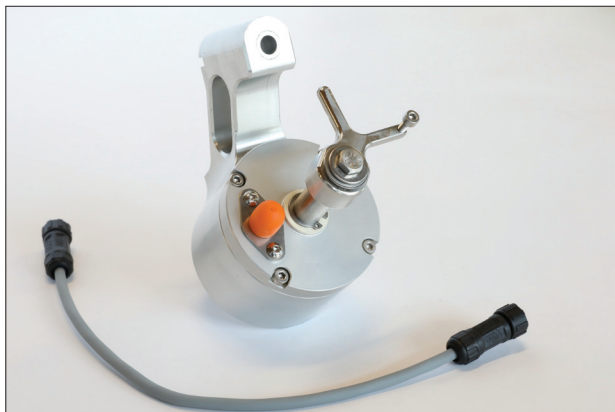
2. Impostazione dell'angolo settore 2

- Per impostare l'angolo settore 2 (secondo angolo settore), allentare il dado zigrinato inferiore. I dischi settore 2 possono ora essere portati in posizione per definire l'angolo settore 2. L'angolo settore 2 si trova tra le frecce che si puntano.
- Bloccare i dischi serrando il dado zigrinato.
- Verificare nuovamente che ambo i dischi, settore 1 e settore 2, siano ben bloccati.

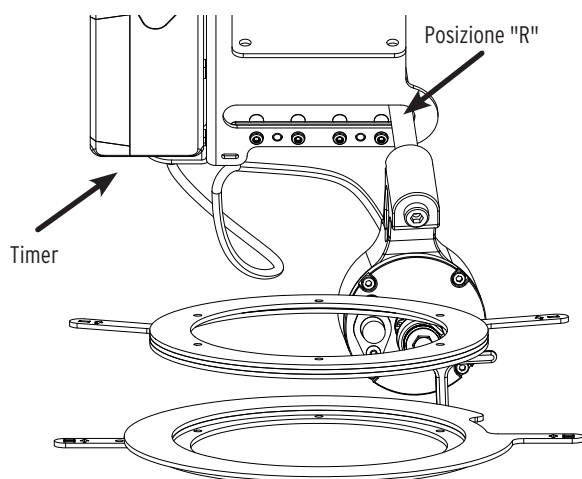


3. Portare la forcella Inverter in posizione base

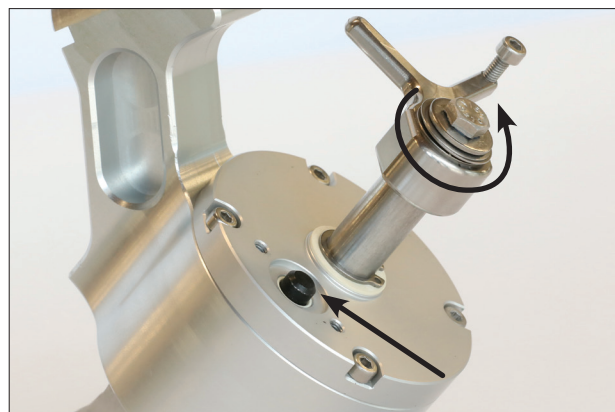
- Per poter lavorare nel settore 1, la forcella Inverter deve essere portata nella **posizione base**. La leva superiore della forcella Inverter punta verso l'alto e la forcella Inverter rimane bloccata in questa posizione.



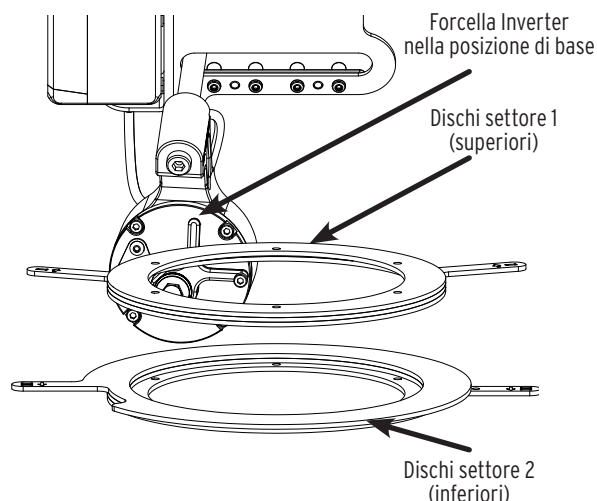
- Se la forcella Inverter è in posizione abbassata (pagina 33), procedere come segue: Assicurarsi che la forcella Inverter si trovi **tra** le frecce dei dischi settore 1 superiori. Spostare l'asta settore a destra in **posizione R** (opposto al timer).



- Premere ora l'innesto magnete e **allo stesso tempo** ruotare la forcella Inverter in senso antiorario fino a quando il pulsante del magnete si innesta. Controllare che l'innesto magnete sia ben inserito. La forcella Inverter deve rimanere bloccata nella posizione alta.



- L'inverter è ora posizionato per operare con l'applicazione "A".



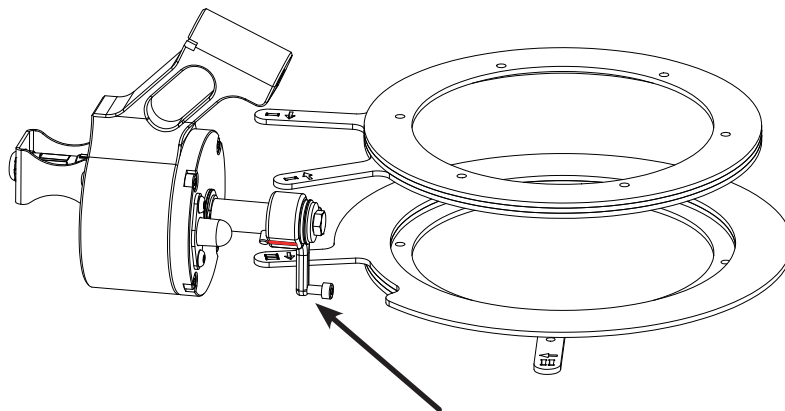
- Controllare che l'angolo settore iniziale sia stato impostato correttamente ruotando l'irrigatore a sinistra e a destra. Verificare che la forcella Inverter sia posizionata correttamente nella posizione di base (pagina 33). Verificare che la forcella Inverter sia bloccata e l'innesto magnete è tutto inserito.

4. Impostazione Timer

- Impostare il tempo fino all'inversione dell'irrigatore compreso un eventuale tempo di ritardo prima d'iniziare l'avvolgimento del tubo (pagina 38).
- Dal momento dell'attivazione del timer esso rimane attivo per 36 ore.
- Dopo l'attivazione il timer ha un ritardo di 60 secondi. Durante questo tempo il conto alla rovescia NON si avvia, permettendo all'utente di scendere dal carrello senza attivare il timer.
- Il timer incomincia il conto alla rovescia dal momento che passa acqua attraverso l'irrigatore oppure con un movimento brusco dell'irrigatore.

1. Impostazione dell'angolo settore 2

- Se l'irrigatore viene utilizzato con un solo angolo settore, è consigliabile utilizzare i dischi settore 2 (inferiori).
- Allentare il dado zigrinato di bloccaggio dei dischi settore 2 (inferiori) ed impostare l'angolo settore 2 desiderato.
ATTENZIONE! L'angolo settore impostato si trova sempre tra le frecce che si puntano l'una con l'altra.
- Se la forcella Inverter si trova già in **posizione bassa**, assicurarsi che la forcella Inverter sia posizionata e bloccata tra le frecce dei dischi di settore 2.

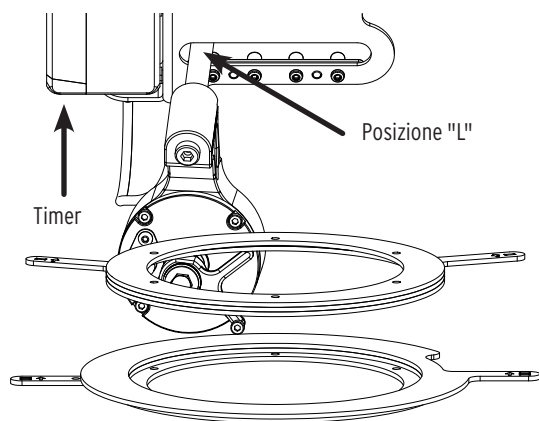


La forcella Inverter in posizione bassa tra le frecce dei dischi settore 2 che si puntano.

2. Portare in posizione bassa la forcella Inverter

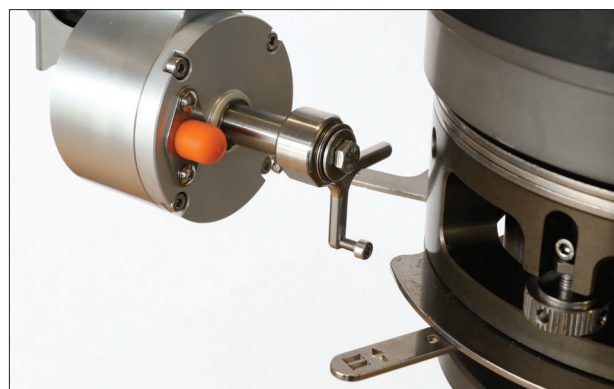
Se la forcella Inverter si trova nella posizione di base alta (pagina 33) e non ancora nella posizione bassa, procedere come segue:

- La forcella Inverter in posizione di base si troverà tra le frecce dei dischi **settore 1**.
- Spostare l'asta settore a sinistra in **posizione L** (vicino al timer).



- Impostare il timer a 1 minuto (pagina 38).
- Attivare il timer con un brusco movimento dell'irrigatore ed attendere fino allo scadere del tempo. Considerare che il conto alla rovescia può essere attivato solo dopo 60 secondi.

- Dopo circa 1 minuto, il magnete rilascia la forcella Inverter in modo che essa non sia più bloccata (si sente un clic).
- Girare l'irrigatore in senso anti orario fino a quando la vite cade attraverso l'apertura dei dischi settore 2 (inferiori).
- La forcella Inverter è ora bloccata in posizione bassa e l'irrigatore è pronto per lavorare nell'angolo settore 2.



- Verificare che l'angolo settore 2 sia impostato correttamente ruotando l'irrigatore a destra e a sinistra.

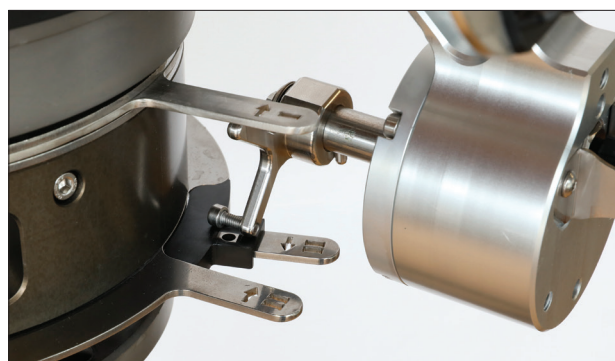
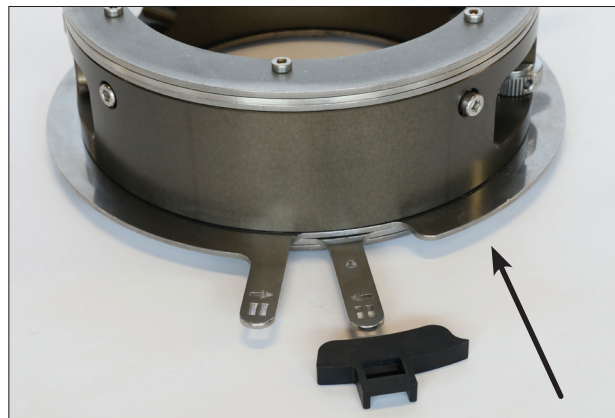
1. Impostazione dell'angolo settore 1

- Impostare l'angolo settore 1 come descritto per l'applicazione "A" (pagina 34), Punto 1. *Impostazione dell'angolo settore 1*
- Assicurarsi che la forcella Inverter si trovi **nella posizione di partenza** tra le frecce del settore 1 che si puntano l'una col'altra.

2. Applicare il pattino

- Per passare al modo d'irrigazione circolare dopo l'inversione dall'angolo settore 1, bisogna apportare il pattino sul disco settore inferiore 2.
- Per fare ciò, allentare il dado zigrinato di bloccaggio dei dischi settore 2 (inferiori). Spostare i dischi in modo da permettere al pattino di riempire l'apertura nel disco. Quindi fissare nuovamente i dischi settore 2 con il dado zigrinato.
- Il pattino forma ora una superficie continua ed impedisce che la forcella Inverter possa cadere attraverso l'apertura nel disco settore.
- Impostare il timer per settore 1 ed attivarlo (pagina 38).

IMPORTANTE! Se l'irrigatore è passato dall'angolo settore 1 alla funzione d'irrigazione circolare, questo modo di funzionamento circolare rimane attivo fino a quando non si rimuove manualmente il pattino dagli anelli settore 2.

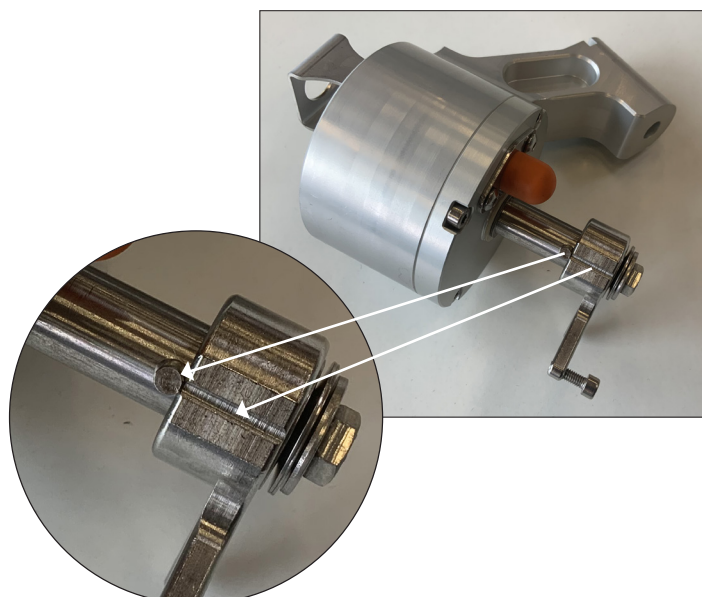


Funzione di sicurezza della forcella Inverter

La funzione di sicurezza integrata nella forcella Inverter è progettata per evitare danni al leveraggio settore in caso di urti sulla forcella Inverter che possono avvenire p.e. durante lo spostamento della macchina semovente.

ATTENZIONE! Se la forcella Inverter è stata forzata dalla sua posizione predefinita, è necessario assicurarsi che essa sia stata riportata nella posizione predefinita prima di mettere in funzione l'irrigatore.

La forcella Inverter ha una sola posizione predefinita. In questa posizione, la scanalatura della forcella Inverter si impegna su un perno.



Determinazione del tempo fino all'inversione

Normalmente il tempo impostato minimo è il tempo necessario per avvolgere la distanza/gittata dell'irrigatore più eventualmente un tempo di ritardo iniziale di avvolgimento. La velocità "v" di rientro della macchina in m/h (metri/ora) e la gittata "R" (metri) dell'irrigatore sono noti. Da qui si deduce la formula:

$$\text{Tempo } t \text{ (min)} = \frac{\text{Gittata irrigatore } R \text{ (m)}}{\text{Velocità di rientro } v \left(\frac{\text{m}}{\text{h}}\right)} * 60 + \text{evtl. tempo ritardo avvolgimento}$$

Esempio

Velocità di rientro tubo = 20 m/h - Gittata irrigatore = 60 m - Tempo ritardo avvolgimento = 15 min

$$t = \frac{60}{20} * 60 + 15 = 195 \text{ min}$$

Impostazione del tempo

- Premere un tasto più volte fino a quando lampeggia solamente il numero sul lato destro. Ora impostare il tempo desiderato con i tasti. Dopo avere impostato il tempo, **attendere 4 secondi**, dopo di che il display si spegnerà. **Il tempo impostato resta memorizzato fino a quando non verrà modificato.**



Attivazione del timer

- Il tempo per ultimo impostato rimane sempre memorizzato. Premere un tasto per attivare il timer. Sul lato sinistro del display apparirà la lettera "S" ed un punto "."
- Sul lato destro del display lampeggerà il tempo impostato. Il timer ora è attivato e rimane in modo stand-by per 36 ore.



Avvio del conto alla rovescia (Countdown)

- Il conto alla rovescia viene avviato automaticamente per via di un accelerometro integrato nel timer. Inizia nel momento che passa acqua attraverso l'irrigatore oppure sente un brusco movimento.
- Una volta avviato il timer, il punto "." lampeggia ed il tempo rimanente appare sulla destra del display. Dopo lo scadere del tempo l'irrigatore esegue automaticamente l'inversione.

ATTENZIONE! L'accelerometro è molto sensibile. Anche oscillazioni del carrello portairrigatore, per esempio saltando dal carrello portairrigatore dopo avere attivato il timer, possono innescare il conto alla rovescia. Prima di allontanarsi dall'irrigatore, assicurarsi che il timer sia attivato, però non abbia ancora iniziato il conto alla rovescia.



Controllo funzione del timer

Se si desidera controllare la funzione del timer singolo non montato sull'irrigatore, assicurarsi di tenerlo in verticale e di appoggiarlo su una superficie solida per evitare di fare già partire il conto alla rovescia quando si preme un tasto per attivare il timer.

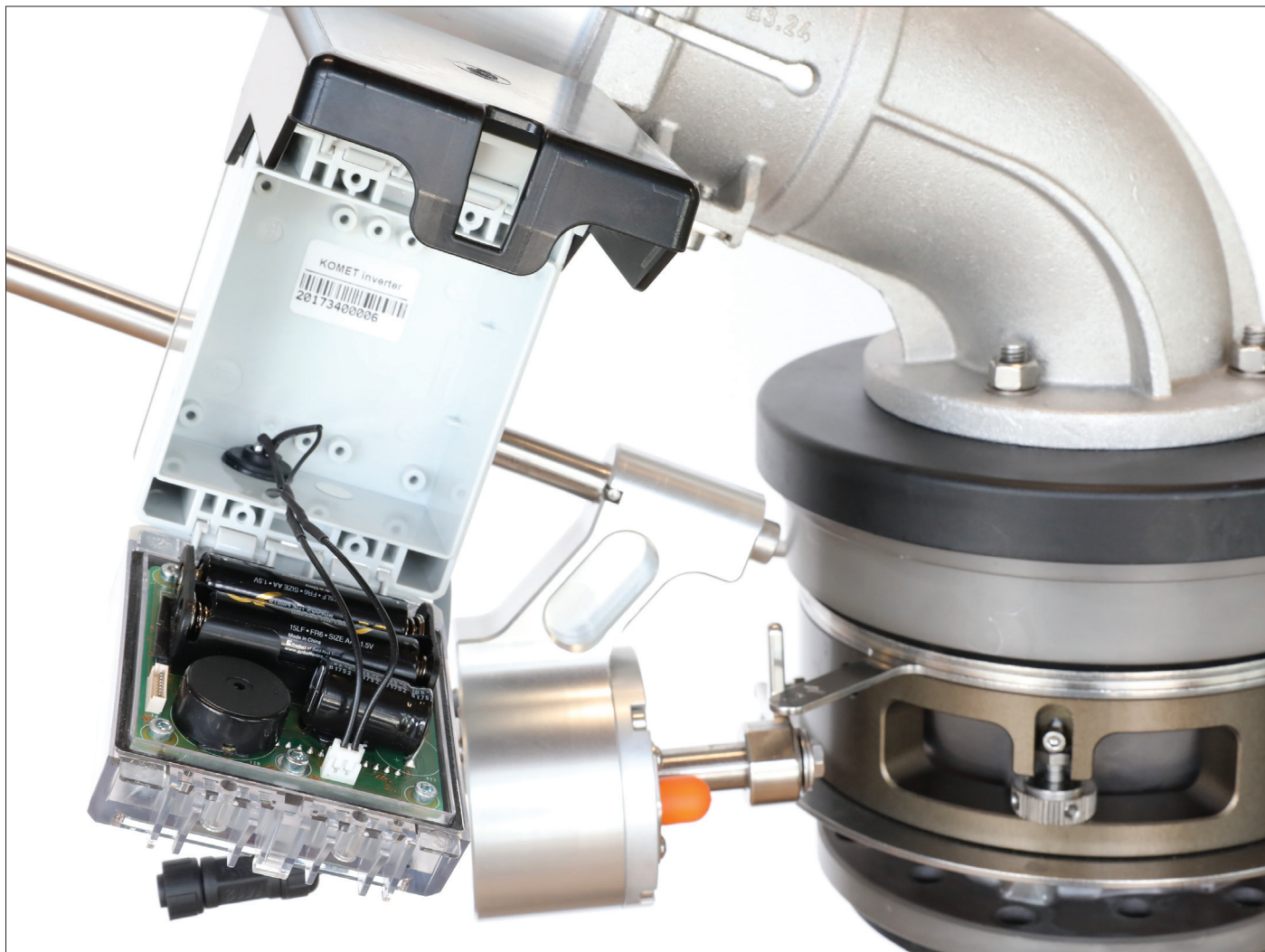
Quando le batterie stanno per scaricarsi sul display appare il messaggio “b”, che indica batterie quasi esaurite. A questo punto le batterie sono da sostituire.

Le batterie montate sono ai ioni di litio e dovrebbero avere una durata di 6 anni.

Al posto di batterie ai ioni di litio si possono usare anche normali batterie AA da 1,5V. Si consiglia di sostituire questo tipo di batteria ogni anno.

Per la sostituzione delle batterie, rimuovere il coperchio, sostituire le batterie e riagganciare il coperchio (pagina 30).

Prestare attenzione a non introdurre acqua all'interno del contenitore in quanto causerebbe ossidazione dei componenti elettronici.



41	Consignes de sécurité
42	Préparation de l'arroseur
43	Description des composants
44	Application
45	Fonctionnement & positions de l'Inverter
46	Réglage de l'Inverter pour application "A" (inversion initiale)
48	Réglage de l'Inverter pour application "B" (retrait normal)
49	Réglage de l'Inverter pour application "C" (passage en mode circulaire)
49	Dispositif de sécurité de la fourche Inverter
50	Paramétrer, activer et démarrer le compteur
51	Changement de pile

IMPORTANT !

Ce mode d'emploi doit être transmis à l'opérateur de ce produit. Avant la mise en service, l'opérateur doit lire attentivement ce mode d'emploi. Les consignes de sécurité doivent être rigoureusement suivies. Ce mode d'emploi est à conserver.

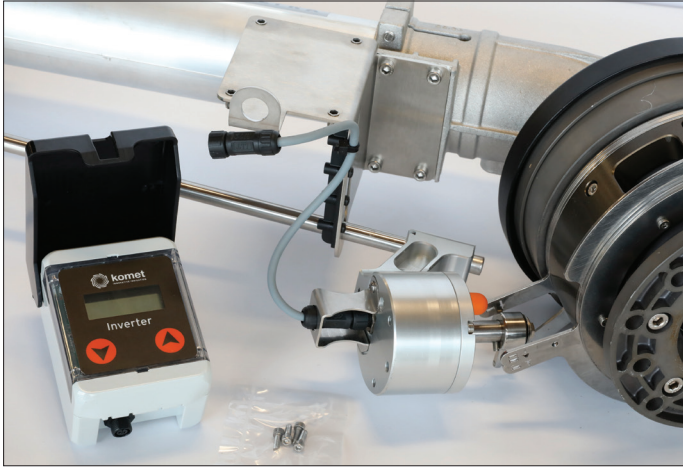
DANGER !**CONSIGNES DE SECURITE GENERALES POUR LES ARROSEURS A GRANDE PORTEE**

1. Ne faire aucun réglage ou contrôle lorsque l'arroseur fonctionne.
2. Rester en-dehors de l'aire couverte par l'arroseur.
3. Se tenir à l'écart du jet d'eau à haute pression.
4. S'assurer que le jet d'eau n'est pas orienté en direction de personnes, de lignes à haute tension, de rues, de maisons ou de tout autre objet.
5. Avant de mettre en marche l'arroseur, vérifier que personne ne se trouve dans la surface d'arrosage.

DANGER !**CONSIGNES DE SECURITE POUR L'UTILISATION DE L'INVERTER KOMET**

1. Avant la mise en marche de l'arroseur, assurez-vous que les angles secteurs sont réglés correctement et que l'arroseur est orienté correctement pour l'arrosage du premier angle secteur.
2. Les flèches sur les disques secteurs doivent pointer l'une vers l'autre et la fourche Inverter doit se trouver entre elles.
3. Vérifiez que les disques secteurs sont bien bloqués.
4. Vérifiez que le compteur est activé, mais qu'il n'a pas encore démarré.
5. Dispositif de sécurité de la fourche Inverter - vérifiez que la fourche Inverter est enclenchée dans la position définie.
6. Vérifiez l'état de la pile.

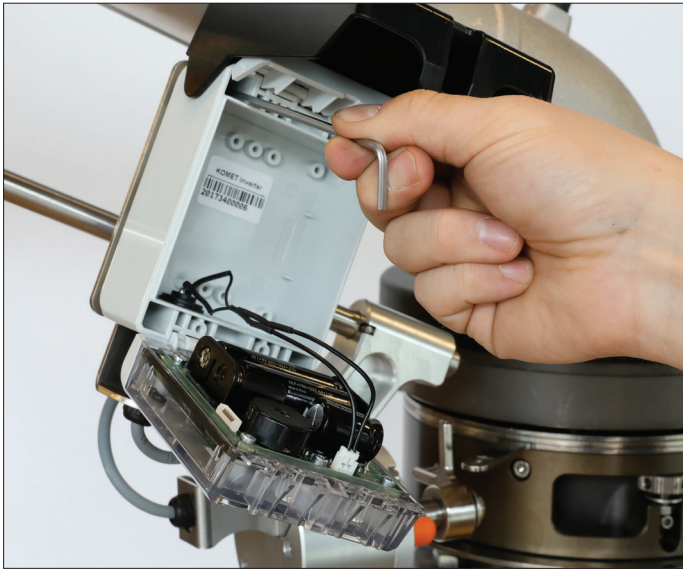
Le compteur de l'Inverter Komet n'est pas prémonté et doit donc être installé sur l'arroseur avant la mise en service de celui-ci :



Mettre l'arroseur sur le côté.



Déverrouiller le couvercle du compteur à l'aide d'un tournevis plat et le retirer **EN TOURNANT** le tournevis.



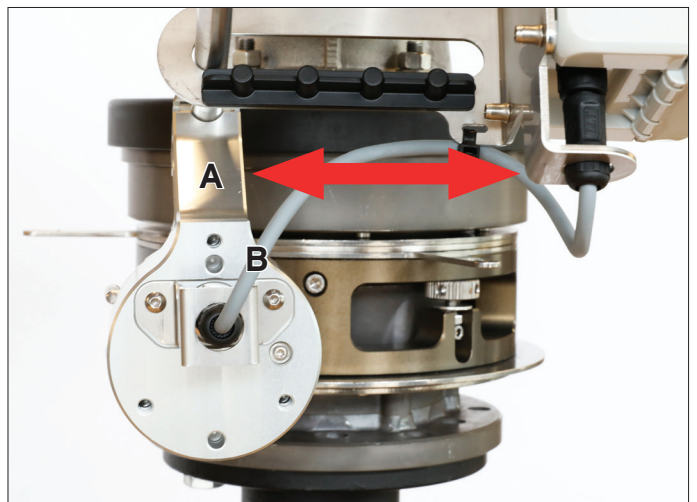
Monter le compteur à l'aide des quatre vis Allen fournies (M4x12). La prise doit être tournée vers le bas.



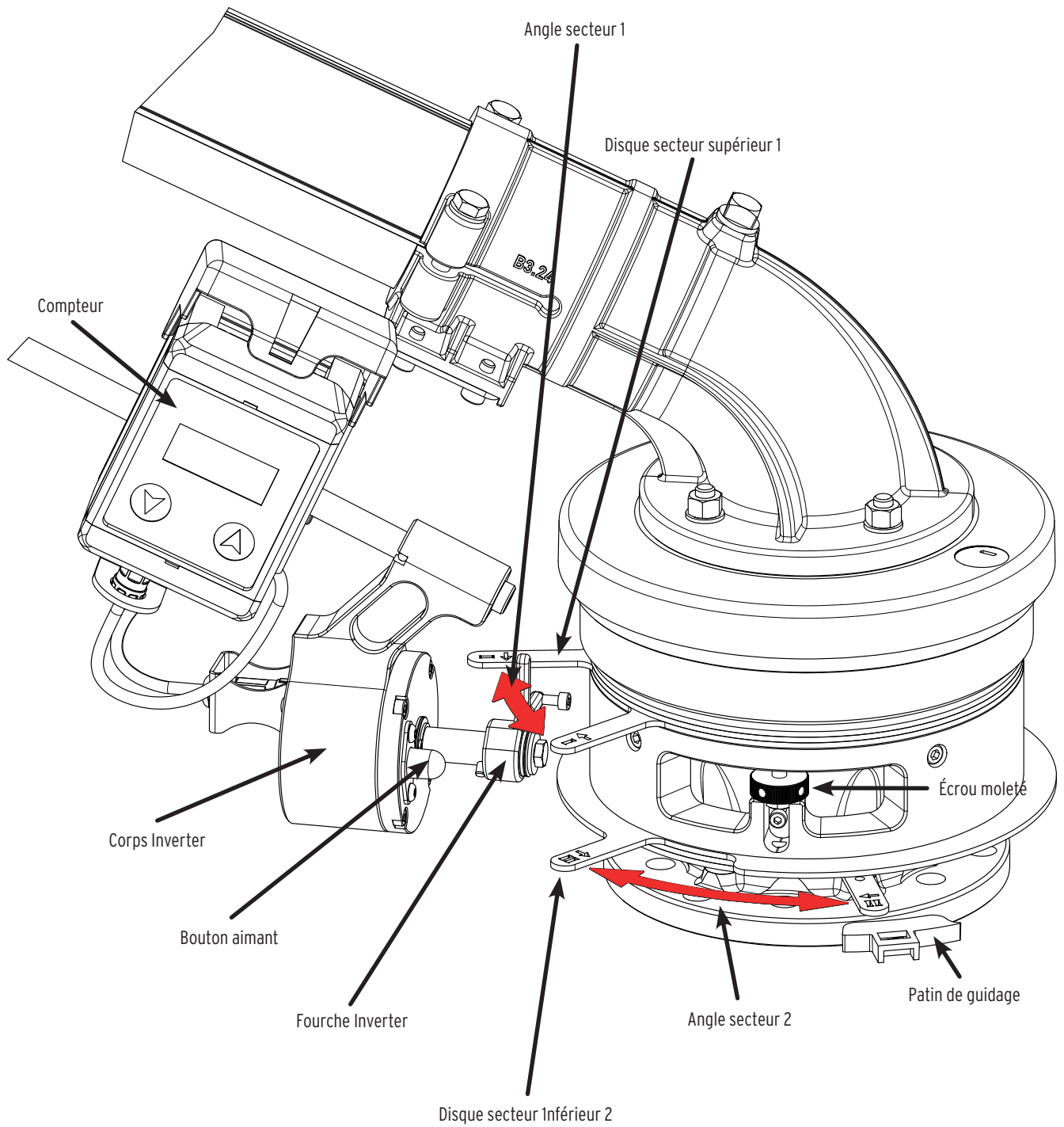
Réinstaller le couvercle et le verrouiller.



Brancher la prise et serrer la vis.



Déplacer l'Inverter de la gauche vers la droite (A), en vérifiant que le câble (B) n'est pas tendu.



L'Inverter Komet breveté permet à l'arroseur de fonctionner dans deux secteurs indépendants l'un de l'autre. L'arroseur commence son travail dans l'angle secteur 1 et après que la durée impartie à l'aide du compteur est écoulée, se tourne automatiquement vers l'angle secteur 2.

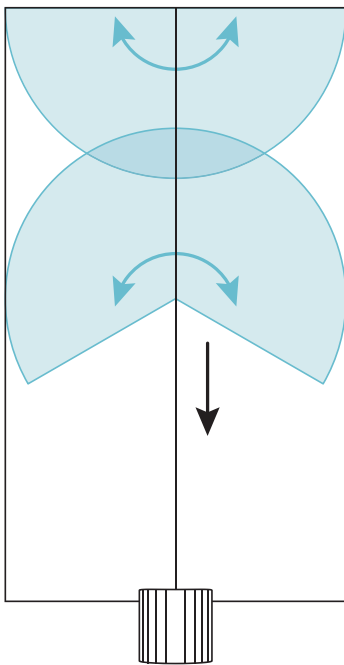
Le compteur est équipé d'un accéléromètre. Une fois que le compteur a été paramétré, il se met en mode veille et reste actif pendant 36 heures. L'arroseur peut commencer son travail dans ce laps de temps. Dès que l'eau arrive dans

l'arroseur, le mouvement active le compteur, et la durée paramétrée commence à s'écouler.

Une fois que les 36 heures se sont écoulées, le compteur doit être à nouveau activé.

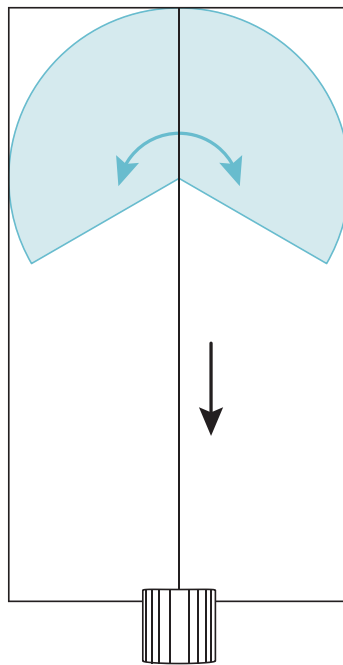
Si nécessaire, un patin de guidage amovible peut être installé afin que l'arroseur, après que la durée impartie est écoulée, puisse passer du secteur 1 à l'arrosage circulaire "C". Ce mode circulaire reste actif tant que le patin de guidage amovible n'a pas été retiré manuellement.

L'Inverter Komet est conçu pour les applications suivantes :



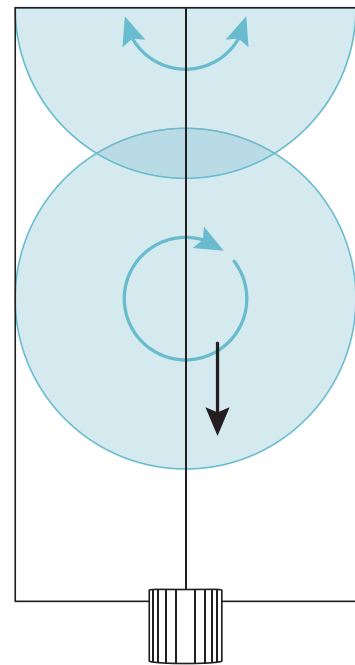
Application "A"

Arrosage avec inversion initiale de l'arroseur



Application "B"

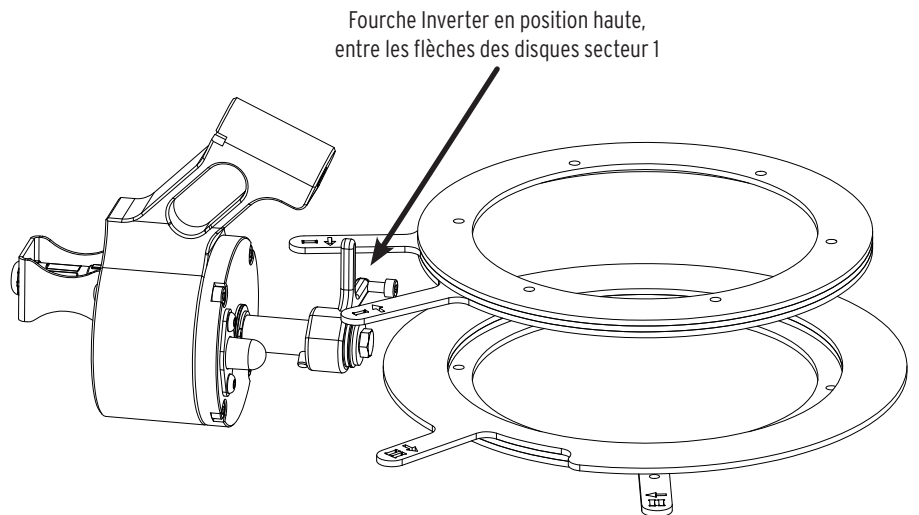
Arrosage avec retrait normal de l'arroseur



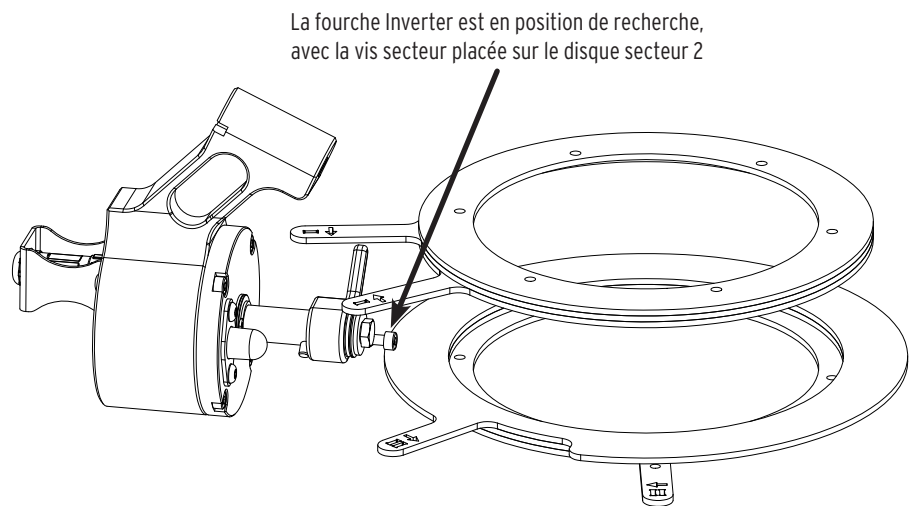
Application "C"

Arrosage avec inversion initiale et passage à l'arrosage circulaire jusqu'à la fin du cycle d'arrosage

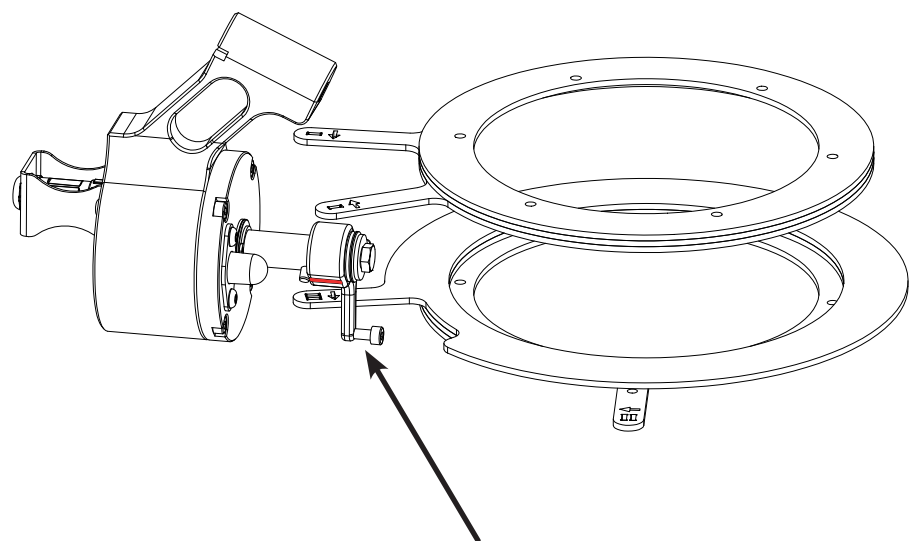
L'arroseur fonctionne dans le secteur 1 si la fourche Inverter est dans sa **position initiale**, entre les disques secteurs supérieurs 1.



Après le décompte du compteur, un aimant se détache, va déverrouiller la fourche Inverter et la mettre en **mode recherche**.



La fourche Inverter se déplace alors en mode recherche le long des disques secteurs inférieurs, jusqu'à ce qu'elle tombe dans l'encoche et se mette en **position basse**, afin de continuer de fonctionner en secteur 2.



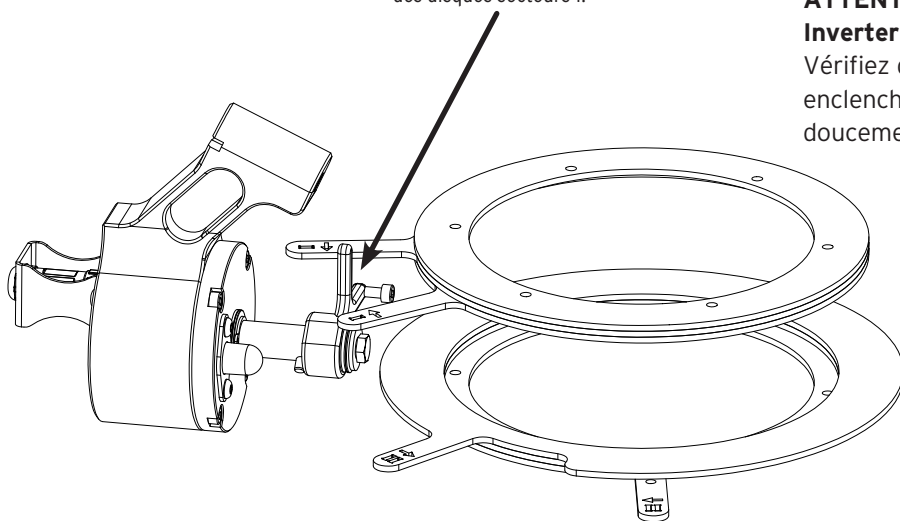
1. Régler le secteur 1

- Afin de régler le secteur 1 (premier secteur), desserrez l'écrou moleté du haut. Les disques secteurs 1 sont alors débloqués et peuvent être mis dans la position désirée.

ATTENTION ! L'angle secteur choisi se trouve toujours entre les flèches pointant l'une vers l'autre.

- Vérifiez que la fourche Inverter se trouve **ENTRE** les flèches des disques secteurs 1 qui pointent l'une vers l'autre.

La fourche secteur se trouve entre les flèches des disques secteurs 1.

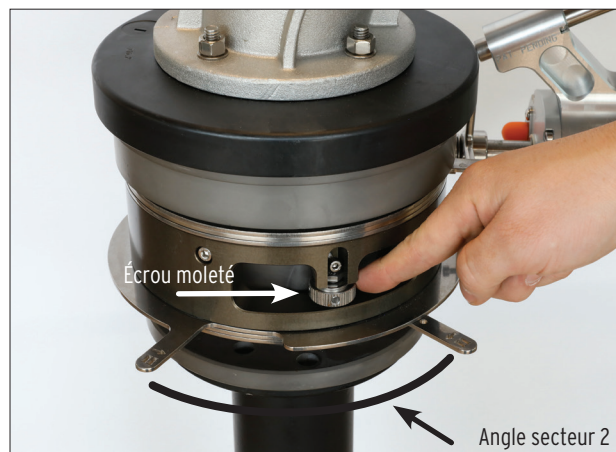


- Une fois le secteur 1 choisi, resserrez l'écrou moleté à la main (sans outil)
- Si la fourche Inverter se trouve en-dehors du secteur 1 dans sa position initiale (voir les positions page 45), vous pouvez la forcer à revenir sous la flèche du disque secteur 1 en la tournant précautionneusement dans le sens des aiguilles d'une montre. Ramener ensuite la fourche secteur en position initiale en la tournant dans le sens contraire des aiguilles d'une montre.

ATTENTION ! Un clic signifie que la fourche Inverter a été ramenée dans sa position initiale. Vérifiez que la fourche Inverter est effectivement enclenchée en essayant à nouveau de la déplacer doucement.

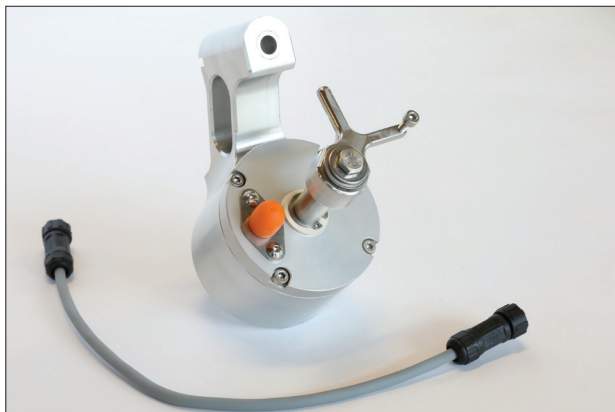
2. Régler le secteur 2

- Afin de régler le secteur 2 (second secteur), desserrez l'écrou moleté du bas. Les disques secteurs 2 sont alors débloqués et peuvent être mis dans la position désirée.
- Serrer l'écrou à la main (sans outil).
- Vérifiez que les disques secteurs 1 et 2 sont bloqués en essayant de les déplacer.

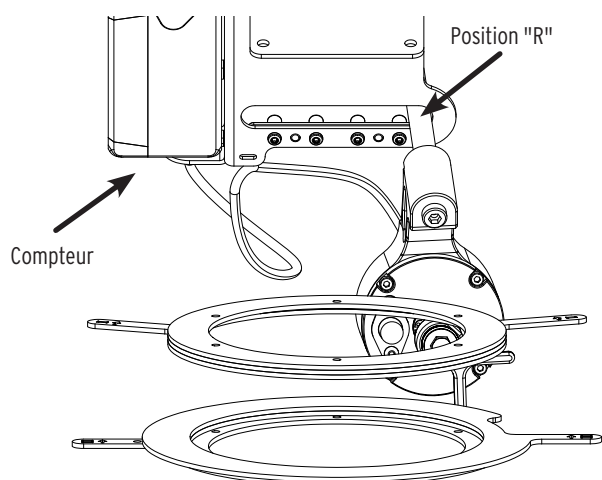


3. Ramener la fourche Inverter en position initiale

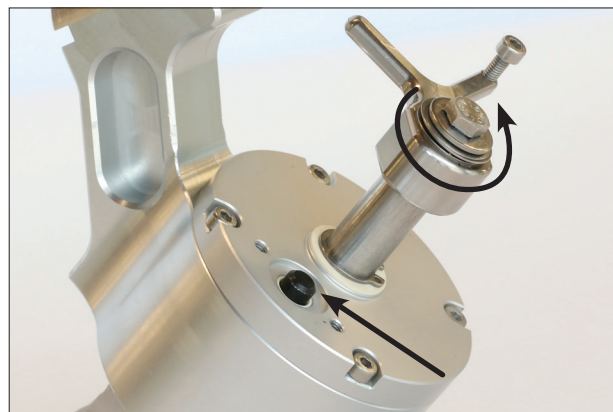
- Afin de fonctionner en secteur 1, la fourche Inverter doit être ramenée en **position initiale**. Cela signifie que la pointe de la fourche est positionnée vers le haut et est bloquée.



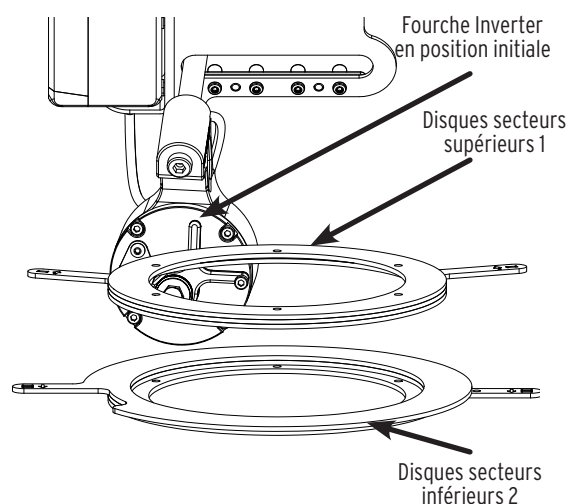
- Si la fourche Inverter se trouve en position basse (voir les positions page 45), faites ceci : vérifiez que la fourche Inverter se trouve **entre** les flèches du disque secteur 1 (si nécessaire, tournez les disques secteurs 1 jusqu'à ce que la fourche Inverter se trouve à nouveau entre eux). Mettez le corps Inverter en **position R** (en face du compteur).



- Appuyez sur le bouton aimant et tournez **en même temps** la fourche Inverter dans le sens contraire des aiguilles d'une montre, jusqu'à ce que le bouton aimant émette un clic. Vérifiez que le bouton aimant est enclenché. Si vous tentez de déplacer la fourche Inverter, elle doit rester bloquée.



- L'Inverter se trouve alors dans la position adéquate pour l'application "A".



- Vérifiez que la position initiale est correctement réglée en faisant tourner l'arroseur de la gauche vers la droite dans le secteur 1. Si le réglage est correct, la fourche Inverter ne bougera pas lorsqu'elle touchera le disque secteur.

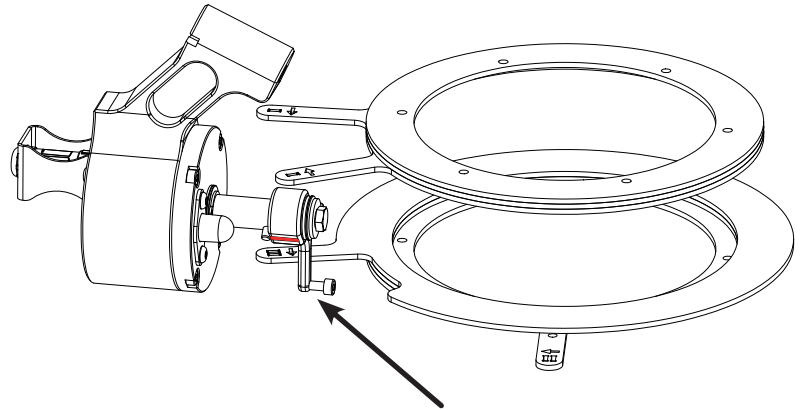
4. Régler le compteur

- Paramétrez le compteur pour la durée d'arrosage souhaitée sur le secteur 1 (page 50)
- Dès qu'il est activé, le compteur reste actif 36 heures.

- Après l'activation, le compteur a un délai de 60 secondes. Pendant ce temps, le décompte NE PAS entamé, ce qui permet à l'utilisateur de quitter le chariot sans déclencher le compteur.
- Le compteur entame le décompte dès que l'eau coule dans l'arroseur ou que l'on bouge celui-ci.

1. Régler le secteur 2

- Si l'arroseur est utilisé avec un seul angle secteur, seuls les disques secteurs 2, dans la partie inférieure, doivent être utilisés.
- Desserrer l'écrou moleté du bas et mettre les disques secteurs 2 dans la position désirée.
ATTENTION ! L'angle secteur choisi se trouve entre les deux flèches qui pointent l'une vers l'autre.
- Si la fourche Inverter est déjà en **position basse**, vérifier qu'elle se trouve entre les deux flèches des disques secteurs 2.

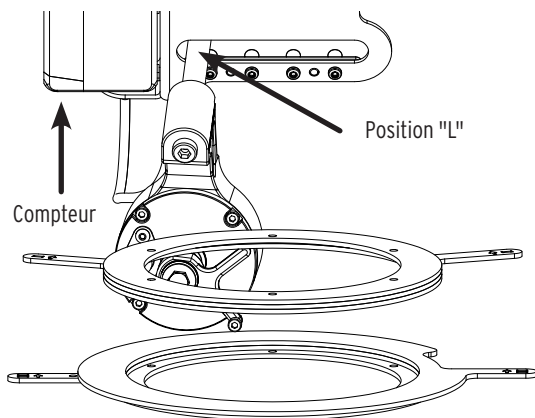


Fourche Inverter en position basse, entre les deux pointes des flèches des disques secteurs 2

2. Mettre la fourche Inverter en position basse

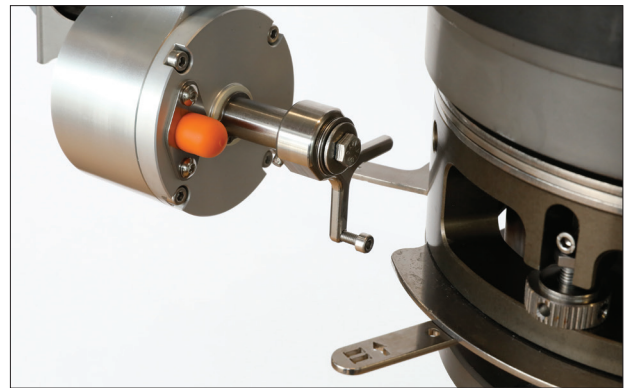
Si la fourche Inverter est en position initiale (voir page 45), et non en position basse, faites ceci :

- En position initiale, la fourche Inverter doit se trouver entre les deux flèches pointant l'une vers l'autre des disques **secteurs 1**. Le secteur 1 peut être déterminé librement.
- Amener la tige secteur en **position L** - le corps Inverter doit se trouver à côté du compteur.



- Régler le compteur sur 1 minute (voir réglage compteur page 50)
- Déclencher le compteur en poussant l'arroseur d'un mouvement brusque ou en inclinant et relâchant le balancier, puis attendre que la durée soit écoulée. Considérez que le décompte peut être lancé seulement après 60 secondes.

- Au bout d'une minute, l'aimant a perdu sa force et la fourche Inverter est déverrouillée (on entend un clic).
- Faire tourner l'arroseur dans le sens contraire des aiguilles d'une montre, jusqu'à ce que la vis fixée sur la pointe inférieure de la fourche Inverter tombe dans l'encoche des disques secteurs 2.
- La fourche Inverter est ainsi réglée en position inférieure et l'arroseur peut fonctionner dans l'angle secteur 2.



- Vérifiez que la position secteur est correctement réglée en faisant tourner l'arroseur de la gauche vers la droite dans le secteur 2. Si le réglage est correct, la fourche Inverter ne bougera pas lorsqu'elle touchera le disque secteur.

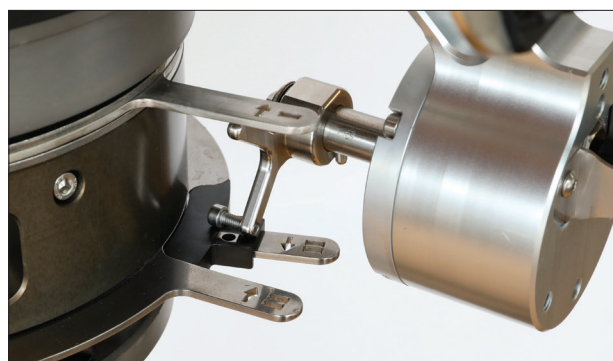
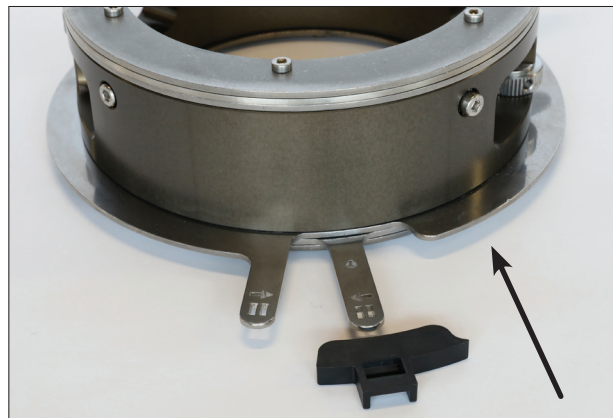
1. Régler le secteur 1

- Réglez le secteur 1 comme pour l'application "A" (page 46), paragraphe 1., *réglage le secteur 1*.
- Vérifiez que la fourche secteur se trouve en **position initiale** entre les flèches pointant l'une vers l'autre.

2. Montage du patin de guidage

- Afin que l'arroseur passe en mode arrosage circulaire après le fonctionnement en secteur 1, il faut installer manuellement le patin de guidage sur les disques secteurs inférieurs.
- Desserrez l'écrou moleté du bas et déplacez les deux disques secteurs 2 l'un vers l'autre, jusqu'à ce le patin de guidage remplisse l'espace entre les deux. Resserrez ensuite l'écrou moleté.
- Le patin de guidage forme alors une surface continue et empêche la vis fixée sur la pointe de la fourche de tomber dans l'encoche.
- Paramétrez puis activez le compteur pour le secteur 1 (page 50).

ATTENTION ! L'arroseur réglé pour un arrosage circulaire après avoir fonctionné en secteur 1 reste dans ce mode jusqu'à ce que le patin de guidage soit manuellement enlevé, le cas échéant jusqu'à l'arrêt de la machine.

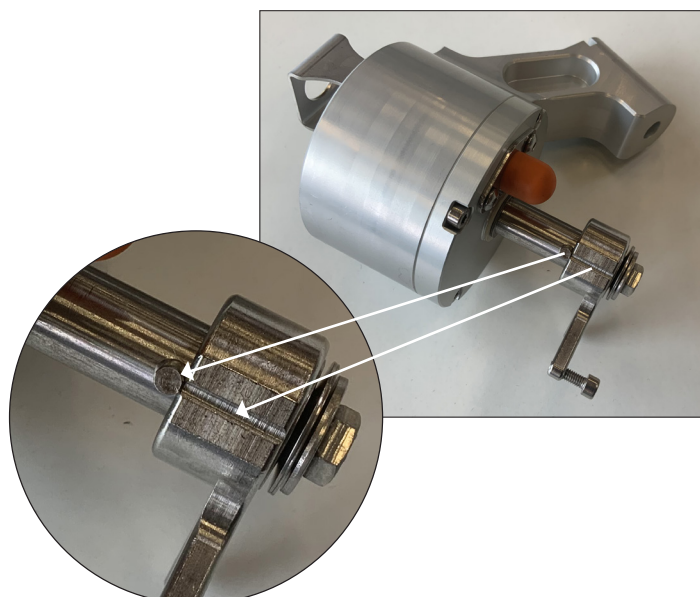


Dispositif de sécurité de la fourche Inverter

Le dispositif intégré de sécurité de la fourche Inverter doit éviter que l'ensemble secteur soit endommagé par des chocs (par exemple, le balancement de l'arroseur lors du repositionnement de l'enrouleur).

ATTENTION ! Si l'on a forcé la fourche Inverter à sortir de sa position définie, on doit vérifier qu'elle a été remise dans cette position avant la mise en marche de l'Inverter.

La fourche Inverter a une seule position définie. Dans cette position, la rainure de la fourche est posée sur une goupille.



Définir la durée jusqu'à l'inversion

En temps normal, on attend que l'arroseur ne puisse plus arroser en-dehors des limites du champ, ce qui signifie qu'il faut au moins laisser le temps à l'arroseur de passer sur toute sa portée R. La vitesse "v" de retrait de la machine, calculée en m/h (mètres/heure), et la portée "R", en mètres, sont connues. Il en résulte cette formule :

$$\text{Temps } t \text{ (min)} = \frac{\text{Portée R arroseur (m)}}{\text{Vitesse de retrait } v \left(\frac{\text{m}}{\text{h}}\right)} * 60 + \text{délai de retrait}$$

Exemple

Vitesse de retrait du tuyau = 20 m/h Portée arroseur = 60 m Délai de retrait = 15 min

$$t = \frac{60}{20} * 60 + 15 = 195 \text{ min}$$

Paramétrage du compteur

- Appuyer sur un bouton autant de fois qu'il le faut pour que le chiffre à droite se mette à clignoter. Puis définir la durée souhaitée (en minutes) à l'aide des touches fléchées. Après avoir défini cette durée, **attendre 4 secondes** que l'écran s'éteigne. **Cette durée définie est conservée jusqu'à ce qu'on la change.**



Activer le compteur

- La durée programmée en dernier est conservée. En appuyant sur n'importe quelle touche, le compteur se met en veille. A gauche de l'écran, un "S." s'affiche.
- A droite, la durée préalablement définie clignote. Le compteur est ainsi activé et se met en mode veille pendant 36 heures.



Début du décompte (Countdown)

- Le décompte du compteur commence à l'aide d'un accéléromètre intégré. Il se déclenche sous l'effet d'un mouvement brusque (par exemple, lorsque l'eau se met à couler dans l'arroseur).
- Le point "." clignote et le temps restant est indiqué à droite de l'écran. A la fin du décompte, l'arroseur fait automatiquement l'inversion.

ATTENTION ! Le compteur est très sensible au mouvement. Sortir du chariot en sautant peut par exemple le déclencher. Avant de sortir du chariot, vérifiez que le compteur est activé, mais n'a pas encore démarré.



Contrôle du fonctionnement du compteur

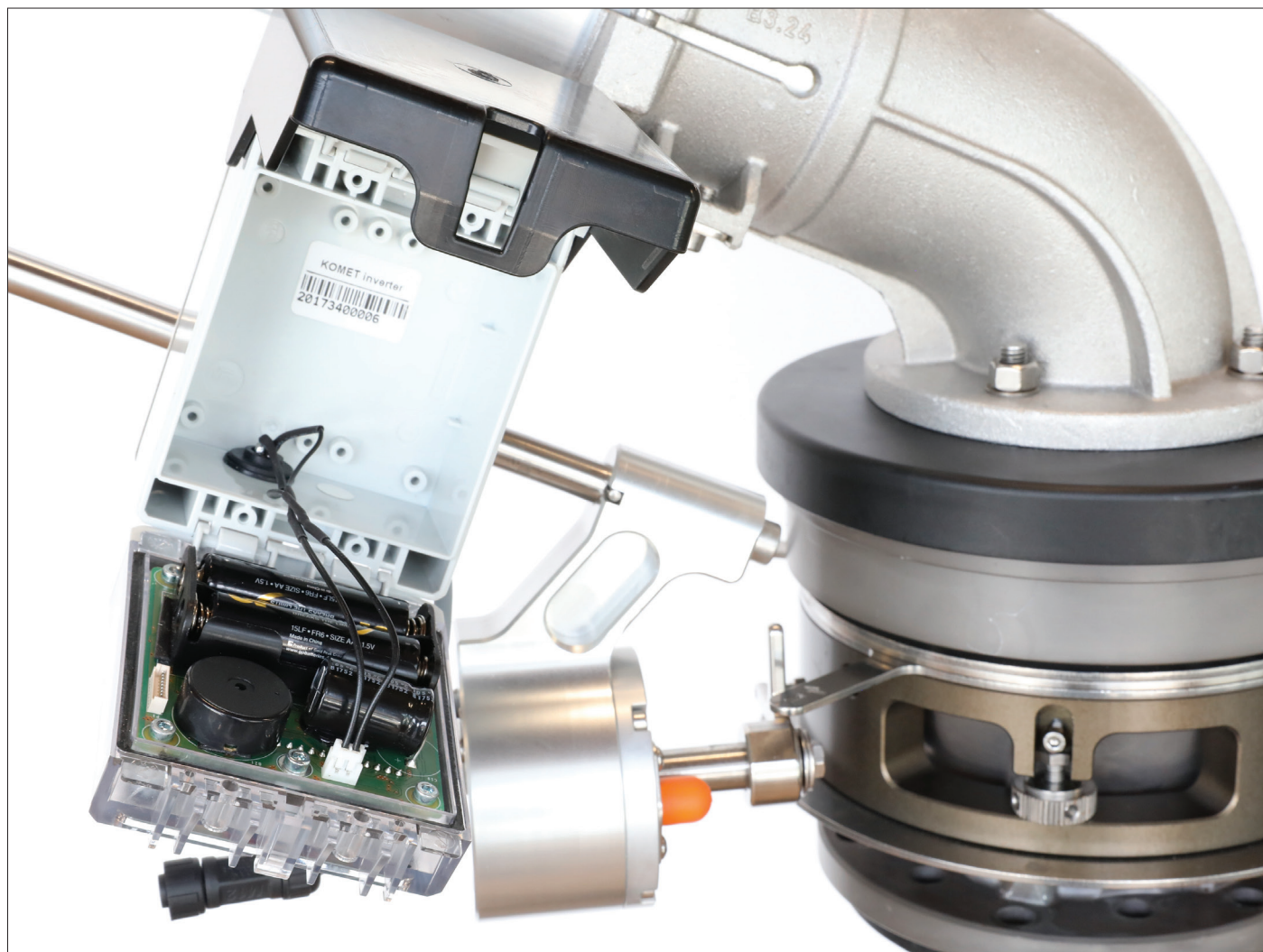
Si vous souhaitez contrôler que le compteur fonctionne alors qu'il n'est pas encore monté sur l'arroseur, faites-le en maintenant le compteur en position verticale pendant le test. Une prise en main horizontale peut activer l'accéléromètre et donc enclencher le décompte du temps paramétré.

Si le niveau des piles devient faible, le symbole **"b"** apparaît sur le côté de l'écran. Il est alors nécessaire de changer les piles. Les piles intégrées, au lithium-ion, ont une durée de vie de 6 ans.

Comme alternative, on peut aussi utiliser les piles classiques 1,5 V AA. La durée de vie de ces piles classiques est en moyenne d'un an.

Pour changer les piles, retirez le couvercle, remplacez les piles et remontez le couvercle (voir page 42)

En changeant les piles, faites attention qu'aucune humidité n'entre dans la boîte, sinon, les parties électroniques pourraient s'oxyder.



Certificate of Conformity
We

**Komet Austria GmbH
Julius Durst Strasse 10
9900 Lienz / Austria**

declare in sole responsibility, that the product

Komet Inverter

to which this certificate applies, conforms to the basic safety and health requirements of Directives 2006/42/EG

DI Arno Drechsel
General Manager

Lienz, 01.01.2020

Konformitätserklärung
Wir

**Komet Austria GmbH
Julius Durst Strasse 10
9900 Lienz / Austria**

erklären in alleiniger Verantwortung, dass das Produkt

Komet Inverter

auf das sich diese Erklärung bezieht, den einschlägigen grundlegenden Sicherheits- und Gesundheitsanforderungen der Richtlinie 2006/42/EG entspricht.

DI Arno Drechsel
Geschäftsführer

Lienz, 01.01.2020

Dichiarazione di Conformità
Noi

**Komet Austria GmbH
Julius Durst Strasse 10
9900 Lienz / Austria**

dichiariamo sotto la nostra responsabilità che il prodotto

Komet Inverter

è conforme ai requisiti essenziali di sicurezza e di tutela della salute di cui alla direttiva 2006/42/EG e sue successive modificazioni

DI Arno Drechsel
Amministratore

Lienz, 01.01.2020

Déclaration de conformité
Nous

**Komet Austria GmbH
Julius Durst Strasse 10
9900 Lienz / Austria**

déclarons sous notre seule responsabilité que le produit

Komet Inverter

faisant l'objet de la déclaration est conforme aux prescriptions fondamentales en matière de sécurité et de santé stipulées dans la Directive 2006/42/EG

DI Arno Drechsel
Gérant

Lienz, 01.01.2020

EG-Conformiteitsverklaring
Wij

**Komet Austria GmbH
Julius Durst Strasse 10
9900 Lienz / Austria**

verklaren enig in verantwoording, dat het product

Komet Inverter

waarop deze verklaring betrekking heeft, met de desbetreffende grondlegende veiligheids- en gezondheidseisen van de richtlijn 2006/42/EG overeenkomt.

DI Arno Drechsel
Direktor

Lienz, 01.01.2020

EF-overensstemmelseserklæring
Vi

**Komet Austria GmbH
Julius Durst Strasse 10
9900 Lienz / Austria**

erklærer som eneansvarlig, at produktet

Komet Inverter

som denne erklæring vedrører, overholder de grundlæggende sikkerheds- og sundhedskrav i direktiv 2006/42/EG samt

DI Arno Drechsel
Direktør

Lienz, 01.01.2020

EG-konformitetsintyg
Vi

**Komet Austria GmbH
Julius Durst Strasse 10
9900 Lienz / Austria**

intyggar med ensamansvar att nedanstående produkt,

Komet Inverter

för vilket detta intyg gäller, uppfyller gällande, grundläggande säkerhets- och hälsoskydds föreskrifter enligt norm 2006/42/EG.

DI Arno Drechsel
Direktör

Lienz, 01.01.2020

Declaración de Conformidad
Nosotros

**Komet Austria GmbH
Julius Durst Strasse 10
9900 Lienz / Austria**

declaramos bajo responsabilidad propia que el producto

Komet Inverter

al cual se refiere la presente declaración corresponde a las exigencias básicas de la normativa 2006/42/EG y referentes a la seguridad y a la sanidad

DI Arno Drechsel
Director gerente

Lienz, 01.01.2020

Declaração de conformidade
Nós

**Komet Austria GmbH
Julius Durst Strasse 10
9900 Lienz / Austria**

declaramos com responsabilidade própria que o produto

Komet Inverter

a que se refere esta declaração corresponde às exigências fundamentais respectivas à segurança e à saúde da norma 2006/42/EG

DI Arno Drechsel
Administrador

Lienz, 01.01.2020



Komet Austria GmbH

Julius Durst Str. 10

9900 Lienz/Austria

Ph. (+43) 4852 71550 500

Fax. (+43) 4852 71550 550

komet@kometirrigation.com

www.kometirrigation.com

Rif. 227 ED. Z20/01 - 1

© Copyright 2020 Komet Austria GmbH

All data, indications and illustrations are only informative and are subject to change at any time without previous notice and without incurring obligation. Alle Angaben und Abbildungen in diesem Prospekt haben informativen Charakter. Änderungen jederzeit ohne Voranmeldung vorbehalten. I dati, le indicazioni ed illustrazioni sono a titolo informativo e non impegnativo con riserva di modifica in ogni momento e senza preavviso. Indications et illustrations communiquées à titre indicatif, non contractuel. Sous réserve de modification, sans préavis.