

LED Single Obstruction Light for Hazardous Areas



- > Certified for hazardous areas
- > The unique design of the glass provides an enhanced LED-performance and 360° visibility
- > Modern SMS-LED technology
- > Corrosion-resistant

Typical Application



Low Intensity Obstruction Light (ICAO Type A or ICAO Type B)

The DWT-OBS-LED S is light certified to meet both the ICAO requirements for red LED obstruction lights and Class I, Division 2 for hazardous area lighting locations. It is available in 120VAC or 230VAC versions and can be ordered as single or dual units.

Certifications and Ratings:

- ✓ Class I, Div 2, Groups A, B, C, D hazardous environments T4 rated w ATEX certified, equipment group II (surface industries), category 3 (Zone 2), T4 rated
- ✓ FAA AC No. 150/5345-43F
- ✓ Compliant to: ICAO (Annex 14 - Fourth Edition, July 2004), DGAC Mexico
- ✓ Canadian Aviation Regulation CAR 621.9(Transport Canada)
- ✓ ETL Listed in compliance with UL1598 and UL844 for use in Class I, Div 2 hazardous locations

LED Double Obstruction Light for Hazardous Areas

The DWT-OBS-LED S Double Obstacle Warning Light is identical to the single version, but if the main lamp fails, the stand-by lamp is automatically switched on (optional).



MECHANICAL CHARACTERISTICS

Material	
Housing	Aluminum
Hardware	Stainless Steel
Optic	Glass
Mounting	metric or 1"
Operating Temperature	-55° C to + 55°C
Height	
Single	283 mm
Double	369 mm
Width	395 mm
Diameter Single = Length Double	147 mm
Protection Class	IP65 / IP66 / NEMA 4X
Corrosion resistant integrated LEDs	

ELECTRICAL CHARACTERISTICS (DEPENDENT ON VERSION)

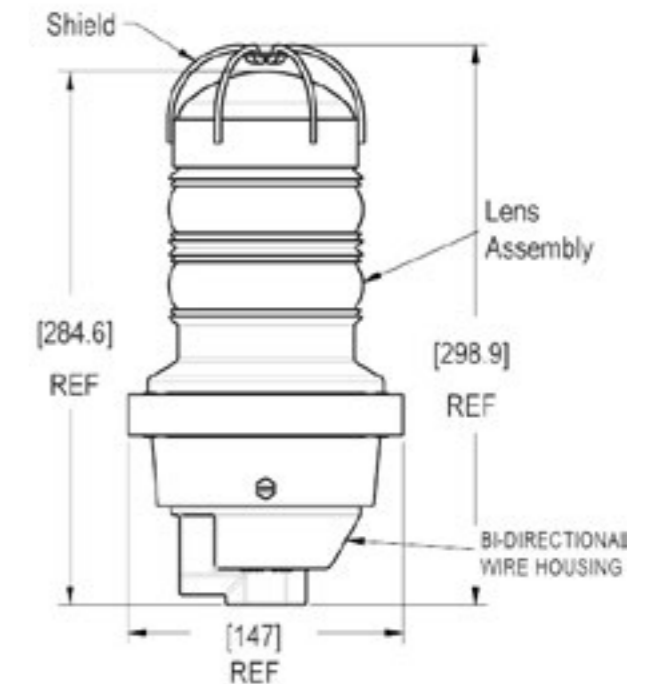
Nominal Operating Voltage	
	◦ 220 VAC (50/60 Hz)
	◦ 120 VAC
Input Power	
120 VAC Version	14,5 W
230 VAC Version	16,0 W
Volt Amps	
120 VAC Version	44 VA
230 VAC Version	57 VA

Modern SMD-LED technology

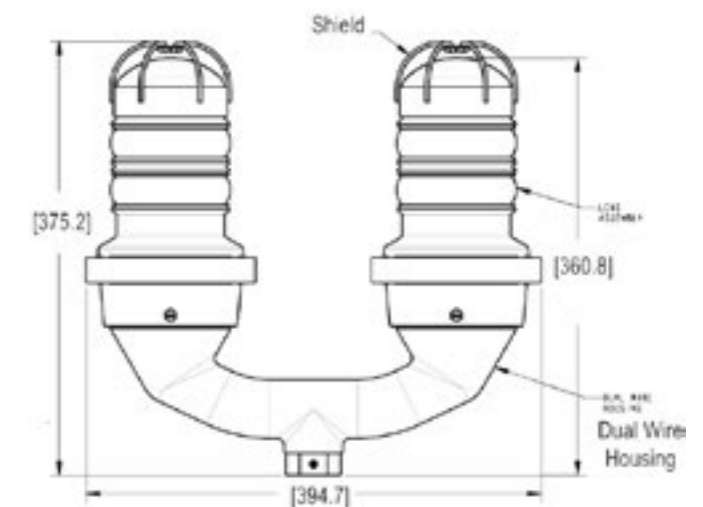
OPTICAL CHARACTERISTICS

Light Source	High Power LEDs
Light Color	Red (others optional)
Light intensity	
Type A	> 10 Candela
Type B	> 32 Candela
Horizontal Output	360°
Vertical Divergence	- 10° to + 20°
Flashing	Optional with control

DIMENSIONS SINGLE OBSTRUCTION LIGHT



DIMENSIONS DOUBLE OBSTRUCTION LIGHT



MULTICOLOR VERSION

