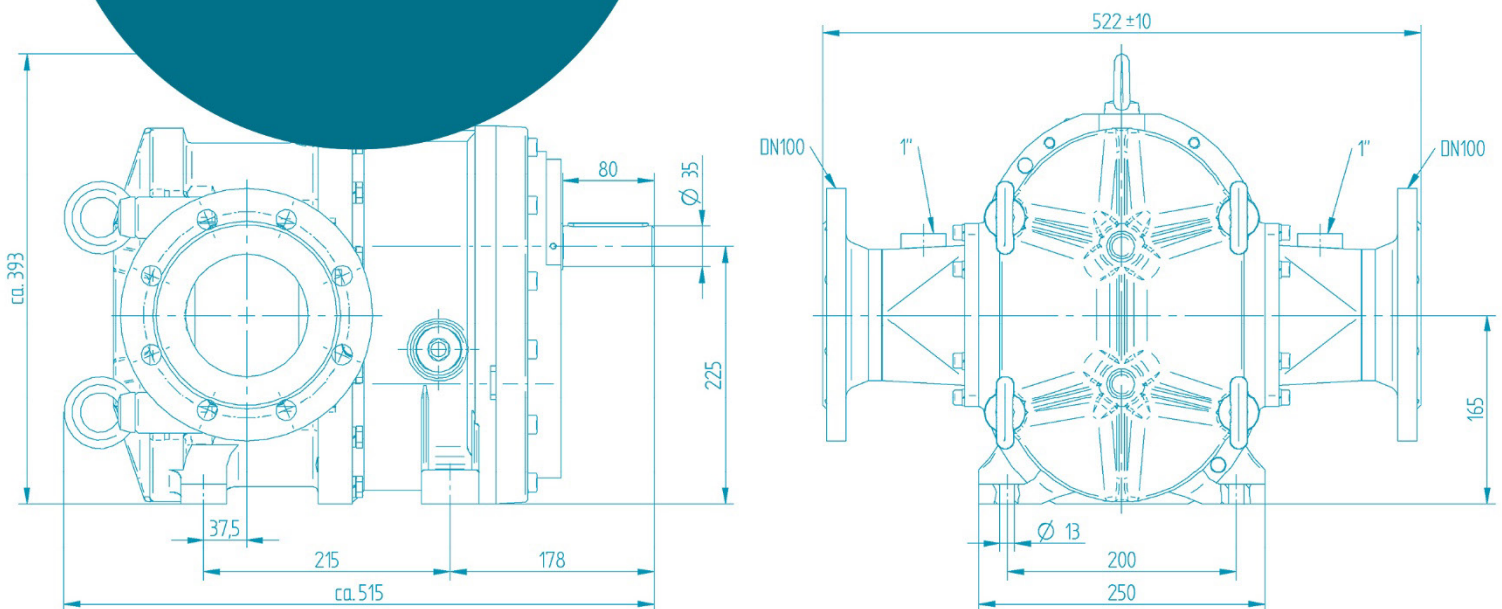
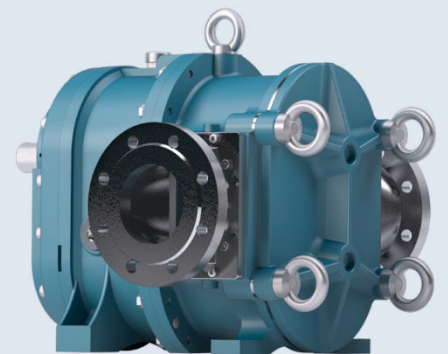


## ABMESSUNGEN UND GEWICHTE



Drehkolbenpumpe  
**BLUEline** AN, PN, QN  
PL, CL, FL, EL, XL





## Inhaltsverzeichnis:

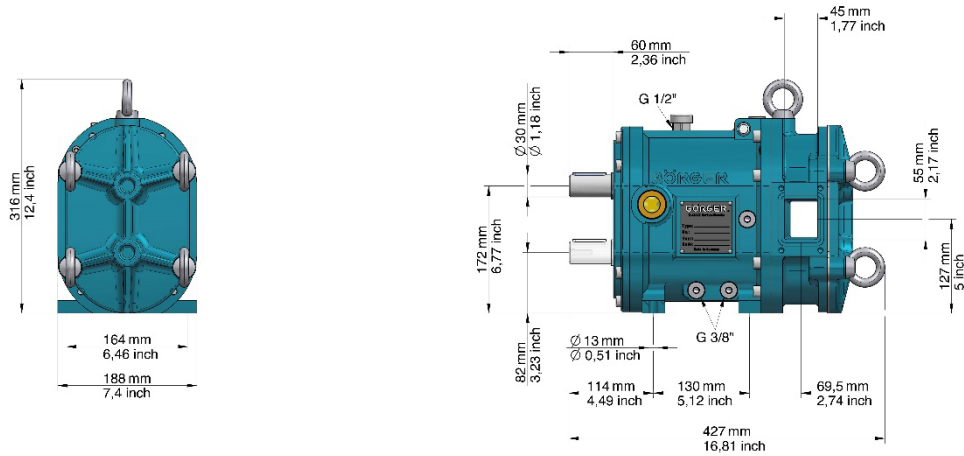
|            |  |              |
|------------|--|--------------|
| <b>1.0</b> | <b>Baureihe AN</b>                     | <b>S. 4</b>  |
| 1.1        | Detailmaße                             | S. 4         |
| 1.2        | Bauform 1                              | S. 5         |
| 1.3        | Bauform 2 und 3                        | S. 6         |
| 1.4        | Bauform 6                              | S. 7         |
| 1.5        | Standard Aggregat                      | S. 8         |
| <br>       |  |              |
| <b>2.0</b> | <b>Baureihe PN / QN</b>                | <b>S. 9</b>  |
| 2.1        | Detailmaße                             | S. 9         |
| 2.2        | Bauform 1                              | S. 10        |
| 2.3        | Bauform 2 und 3                        | S. 11        |
| 2.4        | Bauform 6                              | S. 12        |
| 2.5        | Standard Aggregat PN                   | S. 13        |
| 2.6        | Standard Aggregat QN                   | S. 14        |
| <br>       |  |              |
| <b>3.0</b> | <b>Baureihe PL</b>                     | <b>S. 15</b> |
| 3.1        | Detailmaße (Classic und Select)        | S. 15        |
| 3.2        | Detailmaße (Protect)                   | S. 16        |
| 3.3        | Bauform 1                              | S. 17        |
| 3.4        | Bauform 2 und 3                        | S. 18        |
| 3.5        | Bauform 6                              | S. 19        |
| 3.6        | Standard Aggregat (Classic und Select) | S. 20        |
| 3.7        | Standard Aggregat (Protect)            | S. 21        |
| <br>       |  |              |
| <b>4.0</b> | <b>Baureihe CL</b>                     | <b>S. 22</b> |
| 4.1        | Detailmaße                             | S. 22        |
| 4.2        | Bauform 1                              | S. 23        |
| 4.3        | Bauform 2 und 3                        | S. 24        |
| 4.4        | Bauform 6                              | S. 25        |
| 4.5        | Standard Aggregat                      | S. 26        |
| <br>       |  |              |
| <b>5.0</b> | <b>Baureihe FL</b>                     | <b>S. 27</b> |
| 5.1        | Detailmaße (Classic und Select)        | S. 27        |
| 5.2        | Detailmaße (Protect)                   | S. 28        |
| 5.3        | Bauform 1                              | S. 29        |
| 5.4        | Bauform 2 und 3                        | S. 30        |
| 5.5        | Bauform 6                              | S. 31        |
| 5.6        | Standard Aggregat (Classic und Select) | S. 32        |
| 5.7        | Standard Aggregat (Protect)            | S. 34        |
| <br>       |  |              |
| <b>6.0</b> | <b>Baureihe EL</b>                     | <b>S. 35</b> |
| 6.1        | Detailmaße                             | S. 35        |
| 6.2        | Bauform 1                              | S. 37        |
| 6.3        | Bauform 2 und 3                        | S. 39        |
| 6.4        | Bauform 6                              | S. 40        |
| 6.5        | Standard Aggregat                      | S. 41        |
| <br>       |  |              |
| <b>7.0</b> | <b>Baureihe XL</b>                     | <b>S. 43</b> |
| 7.1        | Detailmaße                             | S. 43        |
| 7.2        | Bauform 1                              | S. 45        |
| 7.3        | Bauform 2 und 3                        | S. 46        |
| 7.4        | Standard Aggregat                      | S. 47        |

Dies ist ein Auszug unserer Möglichkeiten. Informationen zu weiteren Lösungen auf Anfrage. Die Abmessungen und Gewichte entsprechen dem derzeitigen technischen Stand. Im Einzelfall behalten wir uns Änderungen vor.

## 1.0 Baureihe AN

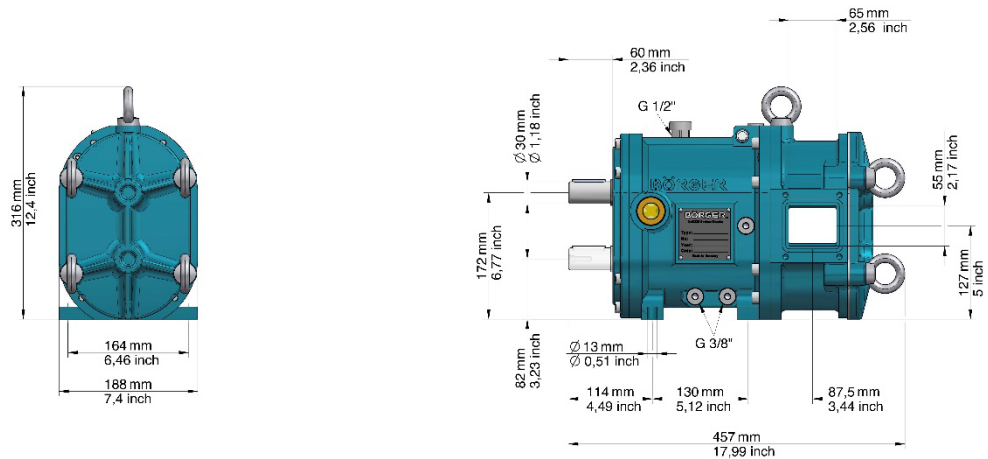
### 1.1 Baureihe AN – Detailmaße

#### AN 040 – Abmessungen Pumpe [in mm / inch]



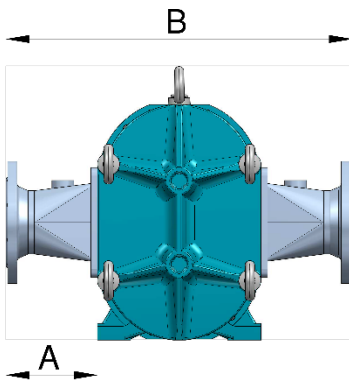
Gewicht: 51,4 kg (113 lbs.)

#### AN 070 – Abmessungen Pumpe [in mm / inch]



Gewicht: 55,7 kg (122 lbs)

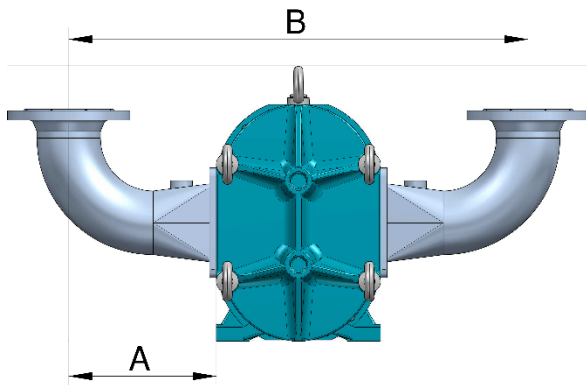
1.2 Baureihe AN – Bauform 1



| Bauporm 1         |                   | AN 040 |          |      |          |      |          |      |          |
|-------------------|-------------------|--------|----------|------|----------|------|----------|------|----------|
| Nennweite<br>[DN] | Dimension<br>[in] | DIN    |          |      |          | ANSI |          |      |          |
|                   |                   | A      |          | B    |          | A    |          | B    |          |
|                   |                   | [mm]   | [inches] | [mm] | [inches] | [mm] | [inches] | [mm] | [inches] |
| 25                | 1"                | 156    | 6,14     | 500  | 19,69    | 172  | 6,77     | 532  | 20,94    |
| 32                | 1 1/4"            | 156    | 6,14     | 500  | 19,69    | 171  | 6,73     | 530  | 20,87    |
| 40                | 1 1/2"            | 156    | 6,14     | 500  | 19,69    | 173  | 6,81     | 534  | 21,02    |
| 50                | 2"                | 156    | 6,14     | 500  | 19,69    | 175  | 6,89     | 538  | 21,18    |
| 65                | 2 1/2"            | 156    | 6,14     | 500  | 19,69    | 181  | 7,13     | 550  | 21,65    |
| 80                | 3"                | 156    | 6,14     | 500  | 19,69    | 176  | 6,93     | 540  | 21,26    |
| 100               | 4"                | 206    | 8,11     | 600  | 23,62    | 230  | 9,06     | 648  | 25,51    |
| 125               | 5"                | 206    | 8,11     | 600  | 23,62    | 240  | 9,45     | 668  | 26,30    |
| 150               | 6"                | 206    | 8,11     | 600  | 23,62    | 240  | 9,45     | 668  | 26,30    |

| Bauporm 1         |                   | AN 070 |          |      |          |      |          |      |          |
|-------------------|-------------------|--------|----------|------|----------|------|----------|------|----------|
| Nennweite<br>[DN] | Dimension<br>[in] | DIN    |          |      |          | ANSI |          |      |          |
|                   |                   | A      |          | B    |          | A    |          | B    |          |
|                   |                   | [mm]   | [inches] | [mm] | [inches] | [mm] | [inches] | [mm] | [inches] |
| 40                | 1 1/2"            | 156    | 6,14     | 500  | 19,69    | 173  | 6,81     | 534  | 21,02    |
| 50                | 2"                | 156    | 6,14     | 500  | 19,69    | 175  | 6,89     | 538  | 21,18    |
| 65                | 2 1/2"            | 156    | 6,14     | 500  | 19,69    | 181  | 7,13     | 550  | 21,65    |
| 80                | 3"                | 156    | 6,14     | 500  | 19,69    | 176  | 6,93     | 540  | 21,26    |
| 100               | 4"                | 206    | 8,11     | 600  | 23,62    | 230  | 9,06     | 648  | 25,51    |
| 125               | 5"                | 206    | 8,11     | 600  | 23,62    | 240  | 9,45     | 668  | 26,30    |
| 150               | 6"                | 206    | 8,11     | 600  | 23,62    | 240  | 9,45     | 668  | 26,30    |

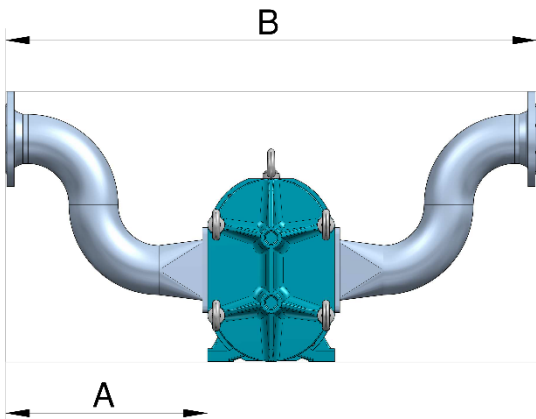
1.3 Baureihe AN – Bauform 2 und 3



| Baupform 2 & 3 |                | AN 040 |          |      |          |      |          |      |          |
|----------------|----------------|--------|----------|------|----------|------|----------|------|----------|
| Nennweite [DN] | Dimension [in] | DIN    |          |      |          | ANSI |          |      |          |
|                |                | A      |          | B    |          | A    |          | B    |          |
|                |                | [mm]   | [inches] | [mm] | [inches] | [mm] | [inches] | [mm] | [inches] |
| 25             | 1"             | 154    | 6,06     | 504  | 19,84    | 154  | 6,06     | 504  | 19,84    |
| 32             | 1 1/4"         | 162    | 6,38     | 512  | 20,16    | 162  | 6,38     | 512  | 20,16    |
| 40             | 1 1/2"         | 168    | 6,61     | 524  | 20,63    | 168  | 6,61     | 524  | 20,63    |
| 50             | 2"             | 187    | 7,36     | 562  | 22,13    | 187  | 7,36     | 562  | 22,13    |
| 65             | 2 1/2"         | 206    | 8,11     | 600  | 23,62    | 206  | 8,11     | 600  | 23,62    |
| 80             | 3"             | 220    | 8,66     | 628  | 24,72    | 220  | 8,66     | 628  | 24,72    |
| 100            | 4"             | 306    | 12,05    | 800  | 31,50    | 306  | 12,05    | 800  | 31,50    |
| 125            | 5"             | 341    | 13,43    | 870  | 34,25    | 341  | 13,43    | 870  | 34,25    |
| 150            | 6"             | 380    | 14,96    | 948  | 37,32    | 380  | 14,96    | 948  | 37,32    |

| Baupform 2 & 3 |                | AN 070 |          |      |          |      |          |      |          |
|----------------|----------------|--------|----------|------|----------|------|----------|------|----------|
| Nennweite [DN] | Dimension [in] | DIN    |          |      |          | ANSI |          |      |          |
|                |                | A      |          | B    |          | A    |          | B    |          |
|                |                | [mm]   | [inches] | [mm] | [inches] | [mm] | [inches] | [mm] | [inches] |
| 40             | 1 1/2"         | 168    | 6,61     | 524  | 20,63    | 168  | 6,61     | 524  | 20,63    |
| 50             | 2"             | 187    | 7,36     | 562  | 22,13    | 187  | 7,36     | 562  | 22,13    |
| 65             | 2 1/2"         | 206    | 8,11     | 600  | 23,62    | 206  | 8,11     | 600  | 23,62    |
| 80             | 3"             | 220    | 8,66     | 628  | 24,72    | 220  | 8,66     | 628  | 24,72    |
| 100            | 4"             | 306    | 12,05    | 800  | 31,50    | 306  | 12,05    | 800  | 31,50    |
| 125            | 5"             | 341    | 13,43    | 870  | 34,25    | 341  | 13,43    | 870  | 34,25    |
| 150            | 6"             | 380    | 14,93    | 948  | 37,32    | 380  | 14,96    | 948  | 37,32    |

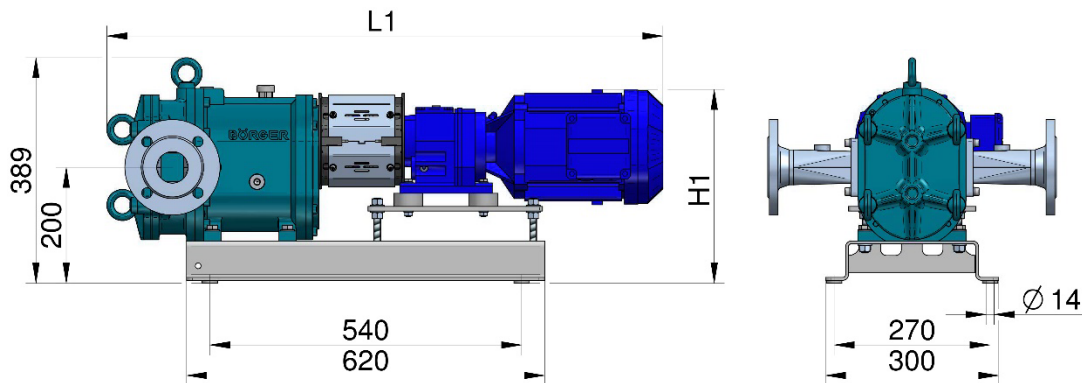
1.4 Baureihe AN – Bauform 6



| Bauform 6         |                   | AN 040 |          |       |          |      |          |       |          |
|-------------------|-------------------|--------|----------|-------|----------|------|----------|-------|----------|
| Nennweite<br>[DN] | Dimension<br>[in] | DIN    |          |       |          | ANSI |          |       |          |
|                   |                   | A      |          | B     |          | A    |          | B     |          |
|                   |                   | [mm]   | [inches] | [mm]  | [inches] | [mm] | [inches] | [mm]  | [inches] |
| 25                | 1"                | 232    | 9,13     | 652   | 25,67    | 248  | 9,76     | 684   | 26,93    |
| 32                | 1 1/4"            | 252    | 9,92     | 692   | 27,24    | 267  | 10,51    | 722   | 28,43    |
| 40                | 1 1/2"            | 270    | 10,63    | 728   | 28,66    | 287  | 11,30    | 762   | 30,00    |
| 50                | 2"                | 308    | 12,13    | 804   | 31,65    | 327  | 12,87    | 842   | 33,15    |
| 65                | 2 1/2"            | 346    | 13,62    | 880   | 34,65    | 371  | 14,61    | 930   | 36,61    |
| 80                | 3"                | 384    | 15,12    | 956   | 37,64    | 404  | 15,91    | 996   | 39,21    |
| 100               | 4"                | 510    | 20,08    | 1.208 | 47,56    | 534  | 21,02    | 1.256 | 49,45    |
| 125               | 5"                | 586    | 23,07    | 1.360 | 53,54    | 620  | 24,41    | 1.428 | 56,22    |
| 150               | 6"                | 664    | 26,14    | 1.516 | 59,69    | 698  | 27,48    | 1.584 | 62,36    |

| Bauform 6         |                   | AN 070 |          |       |          |      |          |       |          |
|-------------------|-------------------|--------|----------|-------|----------|------|----------|-------|----------|
| Nennweite<br>[DN] | Dimension<br>[in] | DIN    |          |       |          | ANSI |          |       |          |
|                   |                   | A      |          | B     |          | A    |          | B     |          |
|                   |                   | [mm]   | [inches] | [mm]  | [inches] | [mm] | [inches] | [mm]  | [inches] |
| 40                | 1 1/2"            | 270    | 10,63    | 728   | 28,66    | 287  | 11,30    | 762   | 30,00    |
| 50                | 2"                | 308    | 12,13    | 804   | 31,65    | 327  | 12,87    | 842   | 33,15    |
| 65                | 2 1/2"            | 346    | 13,62    | 880   | 34,65    | 371  | 14,61    | 930   | 36,61    |
| 80                | 3"                | 384    | 15,12    | 956   | 37,64    | 404  | 15,91    | 996   | 39,21    |
| 100               | 4"                | 510    | 20,08    | 1.208 | 47,56    | 534  | 21,02    | 1.256 | 49,45    |
| 125               | 5"                | 586    | 23,07    | 1.360 | 53,54    | 620  | 24,41    | 1.428 | 56,22    |
| 150               | 6"                | 664    | 26,14    | 1.516 | 59,69    | 698  | 27,48    | 1.584 | 62,36    |

1.5 Baureihe AN – Standard Aggregat [in mm]



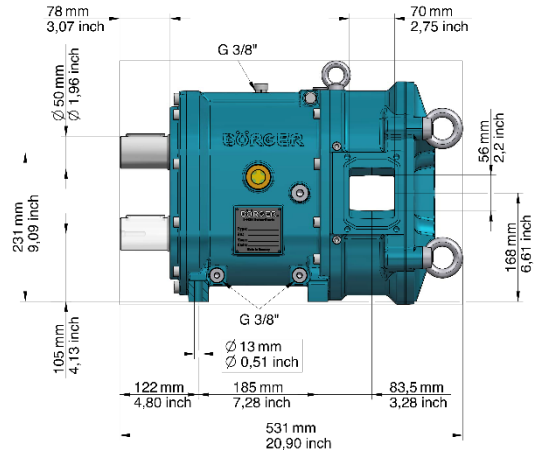
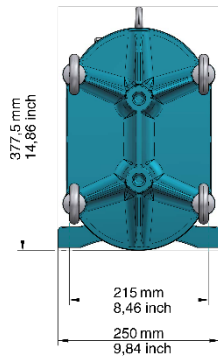
| Antrieb |       | AN 040  |        |             |          |        |          |
|---------|-------|---------|--------|-------------|----------|--------|----------|
|         |       | Gewicht |        | Abmessungen |          |        |          |
|         |       | [kg]    | [lbs]  | L1          |          | H1     |          |
| [kw]    | [PS]  |         |        | [mm]        | [inches] | [mm]   | [inches] |
| 1,1     | 1,48  | 92,00   | 202,83 | 814,00      | 32,05    | 257,00 | 10,12    |
| 1,5     | 2,01  | 101,00  | 222,67 | 814,00      | 32,05    | 257,00 | 10,12    |
| 2,2     | 2,95  | 105,00  | 231,49 | 912,00      | 35,91    | 278,00 | 10,94    |
| 3,0     | 4,02  | 121,00  | 266,76 | 941,00      | 37,05    | 278,00 | 10,94    |
| 4,0     | 5,36  | 131,00  | 288,81 | 964,00      | 37,95    | 290,00 | 11,42    |
| 5,5     | 7,38  | 155,00  | 341,72 | 1.055,00    | 41,54    | 309,00 | 12,17    |
| 7,5     | 10,06 | 162,00  | 357,15 | 1.093,00    | 43,03    | 309,00 | 12,17    |

| Antrieb |       | AN 070  |        |             |          |        |          |
|---------|-------|---------|--------|-------------|----------|--------|----------|
|         |       | Gewicht |        | Abmessungen |          |        |          |
|         |       | [kg]    | [lbs]  | L1          |          | H1     |          |
| [kw]    | [PS]  |         |        | [mm]        | [inches] | [mm]   | [inches] |
| 1,1     | 1,48  | 96,00   | 211,64 | 843,00      | 33,19    | 257,00 | 10,12    |
| 1,5     | 2,01  | 105,00  | 231,49 | 843,00      | 33,19    | 257,00 | 10,12    |
| 2,2     | 2,95  | 109,00  | 240,30 | 970,00      | 38,19    | 278,00 | 10,94    |
| 3,0     | 4,02  | 125,00  | 275,58 | 970,00      | 38,19    | 278,00 | 10,94    |
| 4,0     | 5,36  | 135,00  | 297,62 | 993,00      | 39,09    | 290,00 | 11,42    |
| 5,5     | 7,38  | 159,00  | 350,53 | 1.084,00    | 42,68    | 309,00 | 12,17    |
| 7,5     | 10,06 | 166,00  | 365,97 | 1.122,00    | 44,17    | 309,00 | 12,17    |

## 2.0 Baureihe PN / QN

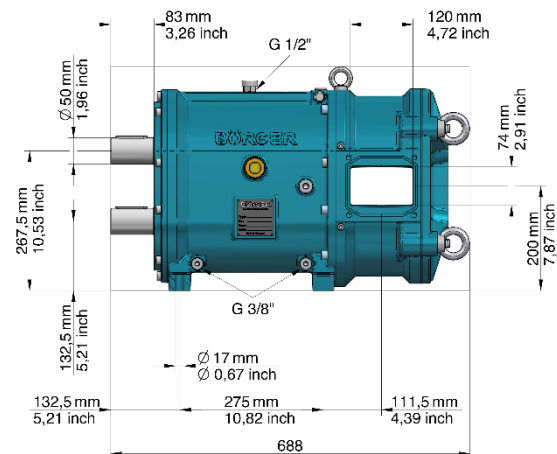
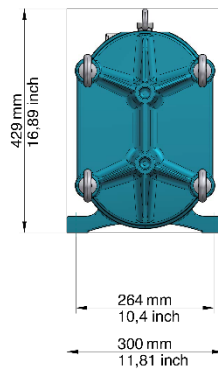
### 2.1 Baureihe PN / QN – Detailmaße

#### PN 100 / PN 160 – Abmessungen Pumpe [in mm / inch]



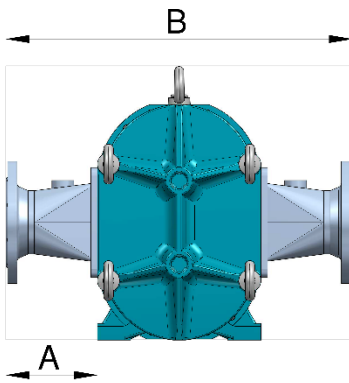
Gewicht: 103 kg (227 lbs)

#### QN 230 / QN 300 – Abmessungen Pumpe [in mm / inch]



Gewicht: 190 kg (419 lbs)

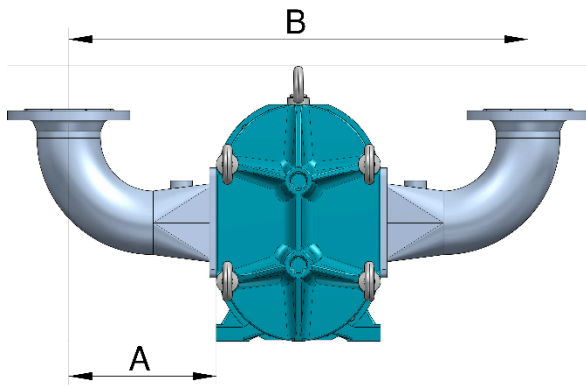
1.2 Baureihe PN / QN – Bauform 1



| Bauform 1         |                   | PN 100 / PN 160 |               |           |               |           |               |           |               |
|-------------------|-------------------|-----------------|---------------|-----------|---------------|-----------|---------------|-----------|---------------|
| Nennweite<br>[DN] | Dimension<br>[in] | DIN             |               |           |               | ANSI      |               |           |               |
|                   |                   | A<br>[mm]       | A<br>[inches] | B<br>[mm] | B<br>[inches] | A<br>[mm] | A<br>[inches] | B<br>[mm] | B<br>[inches] |
| 40                | 1 1/2"            | 190             | 7,48          | 605       | 23,81         | 207       | 8,14          | 639       | 25,15         |
| 50                | 2"                | 169             | 6,65          | 563       | 22,16         | 188       | 7,40          | 601       | 23,66         |
| 65                | 2 1/2"            | 189             | 7,44          | 603       | 23,74         | 214       | 8,42          | 653       | 25,70         |
| 80                | 3"                | 169             | 6,65          | 563       | 22,16         | 188       | 7,40          | 601       | 23,66         |
| 100               | 4"                | 149             | 5,86          | 523       | 20,59         | 173       | 6,81          | 571       | 22,48         |
| 125               | 5"                | 165             | 6,49          | 555       | 21,85         | 198       | 7,79          | 621       | 24,44         |
| 150               | 6"                | 194             | 7,63          | 613       | 24,13         | 228       | 8,97          | 681       | 26,81         |
| 200               | 8"                | 264             | 10,39         | 753       | 29,64         | 304       | 11,96         | 833       | 32,79         |
| 250               | 10"               | 264             | 10,39         | 753       | 29,64         | 298       | 11,73         | 821       | 32,32         |

| Bauform 1         |                   | QN 230 / QN 300 |               |           |               |           |               |           |               |
|-------------------|-------------------|-----------------|---------------|-----------|---------------|-----------|---------------|-----------|---------------|
| Nennweite<br>[DN] | Dimension<br>[in] | DIN             |               |           |               | ANSI      |               |           |               |
|                   |                   | A<br>[mm]       | A<br>[inches] | B<br>[mm] | B<br>[inches] | A<br>[mm] | A<br>[inches] | B<br>[mm] | B<br>[inches] |
| 100               | 4"                | 224             | 8,82          | 708       | 27,87         | 248       | 9,76          | 756       | 29,76         |
| 125               | 5"                | 227             | 8,93          | 714       | 28,11         | 261       | 10,28         | 782       | 30,79         |
| 150               | 6"                | 227             | 8,93          | 714       | 28,11         | 261       | 10,28         | 782       | 30,79         |
| 200               | 8"                | 304             | 11,96         | 868       | 34,17         | 344       | 13,54         | 948       | 37,32         |
| 250               | 10"               | 310             | 12,20         | 880       | 34,65         | 344       | 13,54         | 948       | 37,32         |

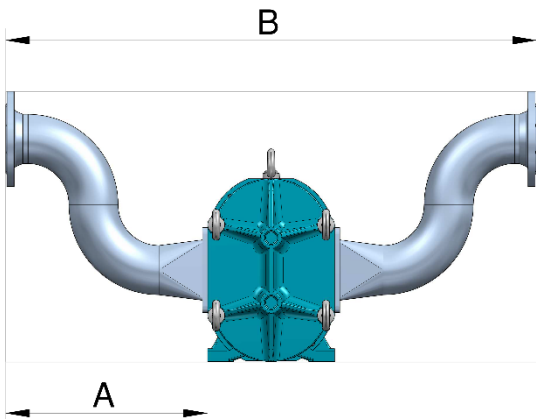
1.3 Baureihe PN / QN – Bauform 2 und 3



| Baupform 2 & 3    |                   | PN 100 / PN 160 |          |       |          |      |          |       |          |
|-------------------|-------------------|-----------------|----------|-------|----------|------|----------|-------|----------|
| Nennweite<br>[DN] | Dimension<br>[in] | DIN             |          |       |          | ANSI |          |       |          |
|                   |                   | A               |          | B     |          | A    |          | B     |          |
|                   |                   | [mm]            | [inches] | [mm]  | [inches] | [mm] | [inches] | [mm]  | [inches] |
| 40                | 1 1/2"            | 202             | 7,95     | 629   | 24,76    | 202  | 7,95     | 629   | 24,76    |
| 50                | 2"                | 200             | 7,87     | 625   | 24,60    | 200  | 7,87     | 625   | 24,60    |
| 65                | 2 1/2"            | 239             | 9,40     | 703   | 27,67    | 239  | 9,40     | 703   | 27,67    |
| 80                | 3"                | 233             | 9,17     | 691   | 27,20    | 233  | 9,17     | 691   | 27,20    |
| 100               | 4"                | 250             | 9,84     | 725   | 28,54    | 250  | 9,84     | 725   | 28,54    |
| 125               | 5"                | 299             | 11,77    | 823   | 32,40    | 299  | 11,77    | 823   | 32,40    |
| 150               | 6"                | 368             | 14,48    | 961   | 37,83    | 368  | 14,48    | 961   | 37,83    |
| 200               | 8"                | 494             | 19,44    | 1.213 | 47,75    | 507  | 19,96    | 1.239 | 48,77    |
| 250               | 10"               | 577             | 22,71    | 1.379 | 54,29    | 577  | 22,71    | 1.379 | 54,29    |

| Baupform 2 & 3    |                   | QN 230 / QN 300 |          |       |          |      |          |       |          |
|-------------------|-------------------|-----------------|----------|-------|----------|------|----------|-------|----------|
| Nennweite<br>[DN] | Dimension<br>[in] | DIN             |          |       |          | ANSI |          |       |          |
|                   |                   | A               |          | B     |          | A    |          | B     |          |
|                   |                   | [mm]            | [inches] | [mm]  | [inches] | [mm] | [inches] | [mm]  | [inches] |
| 100               | 4"                | 324             | 12,75    | 908   | 35,75    | 324  | 12,75    | 908   | 35,75    |
| 125               | 5"                | 362             | 14,25    | 984   | 38,74    | 362  | 14,25    | 984   | 38,74    |
| 150               | 6"                | 401             | 15,79    | 1.062 | 41,81    | 401  | 15,79    | 1.062 | 41,81    |
| 200               | 8"                | 547             | 21,54    | 1.354 | 53,31    | 547  | 21,54    | 1.354 | 53,31    |
| 250               | 10"               | 623             | 24,53    | 1.506 | 59,29    | 623  | 24,53    | 1.506 | 59,29    |

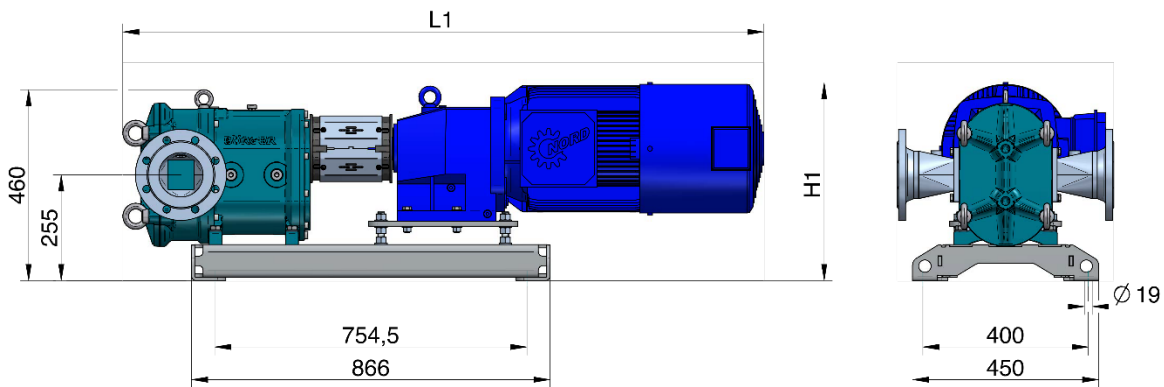
1.4 Baureihe PN / QN – Bauform 6



| Bauform 6         |                   | PN 100 / PN 160 |          |       |          |       |          |       |          |
|-------------------|-------------------|-----------------|----------|-------|----------|-------|----------|-------|----------|
| Nennweite<br>[DN] | Dimension<br>[in] | DIN             |          |       |          | ANSI  |          |       |          |
|                   |                   | A               |          | B     |          | A     |          | B     |          |
|                   |                   | [mm]            | [inches] | [mm]  | [inches] | [mm]  | [inches] | [mm]  | [inches] |
| 40                | 1 1/2"            | 304             | 11,96    | 833   | 32,79    | 321   | 12,64    | 867   | 34,13    |
| 50                | 2"                | 321             | 12,63    | 867   | 34,13    | 340   | 13,39    | 905   | 35,63    |
| 65                | 2 1/2"            | 379             | 14,92    | 983   | 38,70    | 404   | 15,91    | 1.033 | 40,67    |
| 80                | 3"                | 397             | 15,62    | 1.019 | 40,11    | 417   | 16,42    | 1.059 | 41,69    |
| 100               | 4"                | 453             | 17,83    | 1.131 | 44,52    | 477   | 18,78    | 1.179 | 46,42    |
| 125               | 5"                | 544             | 21,41    | 1.313 | 51,69    | 578   | 22,76    | 1.381 | 54,37    |
| 150               | 6"                | 652             | 25,66    | 1.529 | 60,19    | 686   | 27,00    | 1.597 | 62,87    |
| 200               | 8"                | 873             | 34,37    | 1.971 | 77,59    | 914   | 35,98    | 2.053 | 80,83    |
| 250               | 10"               | 1.027           | 40,43    | 2.279 | 89,72    | 1.060 | 41,73    | 2.345 | 92,32    |

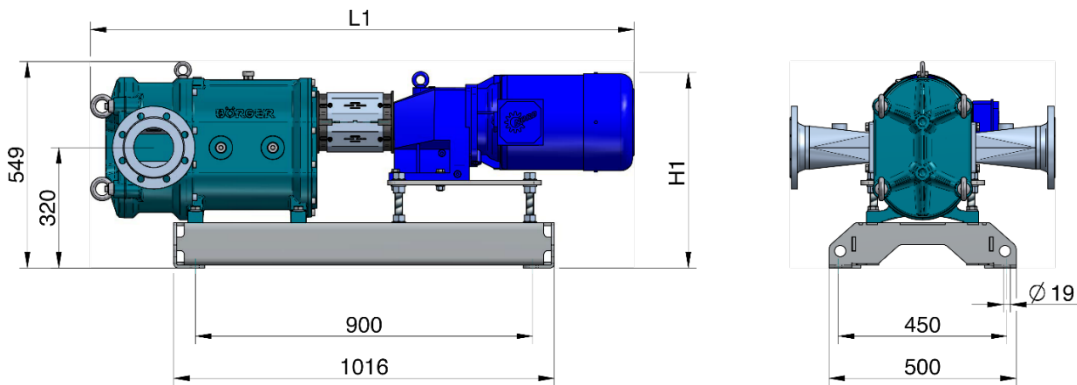
| Bauform 6         |                   | QN 230 / QN 300 |          |       |          |       |          |       |          |
|-------------------|-------------------|-----------------|----------|-------|----------|-------|----------|-------|----------|
| Nennweite<br>[DN] | Dimension<br>[in] | DIN             |          |       |          | ANSI  |          |       |          |
|                   |                   | A               |          | B     |          | A     |          | B     |          |
|                   |                   | [mm]            | [inches] | [mm]  | [inches] | [mm]  | [inches] | [mm]  | [inches] |
| 100               | 4"                | 528             | 20,79    | 1.316 | 51,81    | 552   | 21,73    | 1.364 | 53,70    |
| 125               | 5"                | 607             | 23,90    | 1.474 | 58,03    | 641   | 25,24    | 1.542 | 60,71    |
| 150               | 6"                | 685             | 26,97    | 1.630 | 64,17    | 685   | 26,97    | 1.630 | 64,17    |
| 200               | 8"                | 914             | 35,98    | 2.088 | 82,20    | 954   | 37,56    | 2.168 | 85,35    |
| 250               | 10"               | 1.072           | 42,20    | 2.404 | 94,64    | 1.106 | 43,54    | 2.472 | 97,32    |

1.5 Baureihe PN – Standard Aggregat [in mm]



| Antrieb |       | PN 100 / PN 160 |        |             |          |      |          |
|---------|-------|-----------------|--------|-------------|----------|------|----------|
|         |       | Gewicht         |        | Abmessungen |          |      |          |
|         |       | [kg]            | [lbs]  | L1          |          | H1   |          |
| [kw]    | [hp]  |                 |        | [mm]        | [inches] | [mm] | [inches] |
| 1,1     | 1,48  | 182,8           | 403,00 | 1.077       | 42,40    | 410  | 16,14    |
| 2,2     | 2,95  | 185,8           | 410,00 | 1.107       | 43,58    | 419  | 16,49    |
| 3,0     | 4,02  | 202,3           | 446,00 | 1.154       | 45,43    | 419  | 16,49    |
| 4,0     | 5,36  | 210,9           | 465,00 | 1.201       | 47,28    | 430  | 16,92    |
| 5,5     | 7,38  | 230,7           | 508,60 | 1.261       | 49,64    | 450  | 17,71    |
| 7,5     | 10,06 | 267,8           | 590,40 | 1.322       | 52,05    | 450  | 17,71    |
| 9,2     | 12,34 | 267,8           | 590,40 | 1.322       | 52,05    | 450  | 17,71    |
| 11,0    | 14,75 | 298,8           | 658,74 | 1.398       | 55,04    | 478  | 18,82    |
| 15,0    | 20,12 | 312,8           | 689,60 | 1.398       | 55,04    | 478  | 18,82    |

1.6 Baureihe QN – Standard Aggregat [in mm]

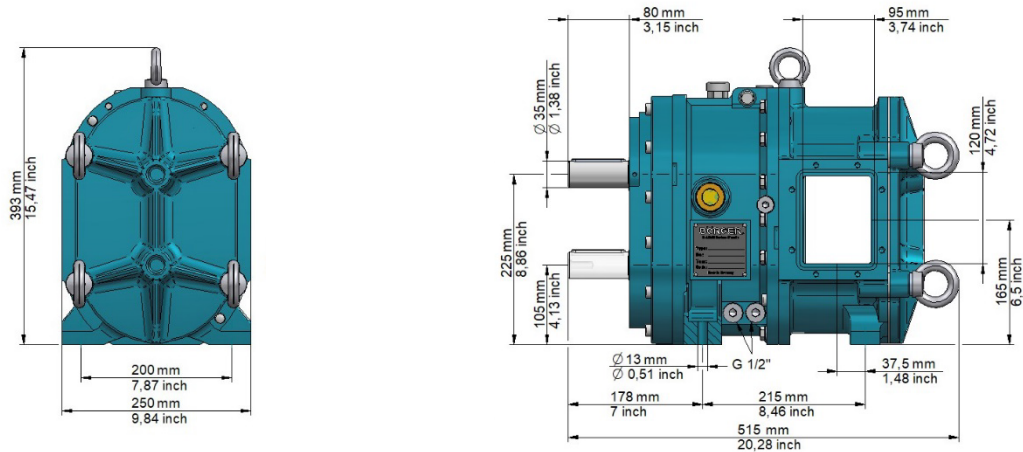


| Antrieb |       | QN 230 / QN 300 |          |             |          |      |          |
|---------|-------|-----------------|----------|-------------|----------|------|----------|
|         |       | Gewicht         |          | Abmessungen |          |      |          |
| [kw]    | [hp]  | [kg]            | [lbs]    | L1          |          | H1   |          |
|         |       |                 |          | [mm]        | [inches] | [mm] | [inches] |
| 3,0     | 4,02  | 321,5           | 708,79   | 1.284       | 50,55    | 488  | 19,21    |
| 4,0     | 5,36  | 324,5           | 715,40   | 1.362       | 53,62    | 500  | 19,69    |
| 5,5     | 7,38  | 374,5           | 825,63   | 1.484       | 58,43    | 520  | 20,47    |
| 7,5     | 10,06 | 366,1           | 807,11   | 1.452       | 57,17    | 520  | 20,47    |
| 9,2     | 12,34 | 381,5           | 841,06   | 1.484       | 58,43    | 520  | 20,47    |
| 11,0    | 14,75 | 412,0           | 908,31   | 1.560       | 61,42    | 547  | 21,54    |
| 15,0    | 20,12 | 449,8           | 991,64   | 1.604       | 63,15    | 547  | 21,54    |
| 18,5    | 24,81 | 456,5           | 1.006,41 | 1.704       | 67,09    | 562  | 22,13    |

### 3.0 Baureihe PL

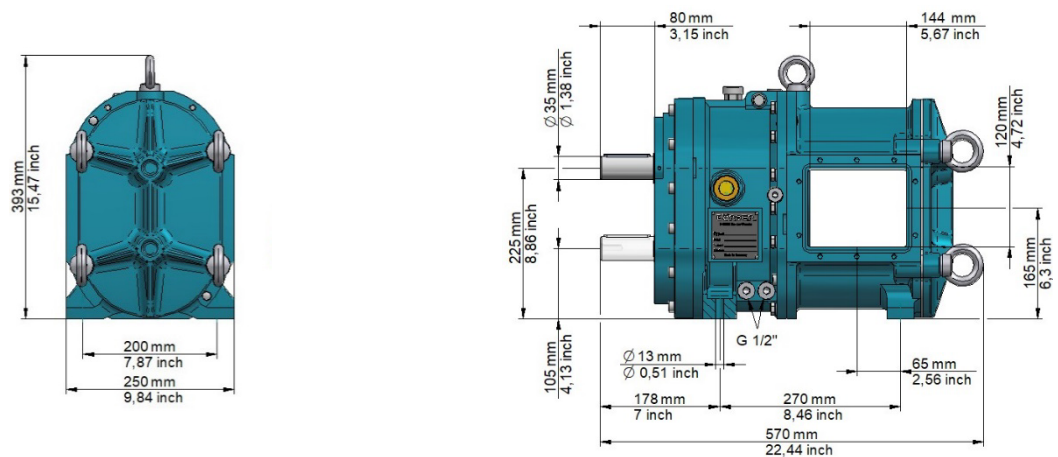
#### 3.1 Baureihe PL – Detailmaße Classic und Select

##### PL 200 – Abmessungen Pumpe (Classic und Select Ausführung) [in mm / inch]



Gewicht: 110 kg (243 lbs)

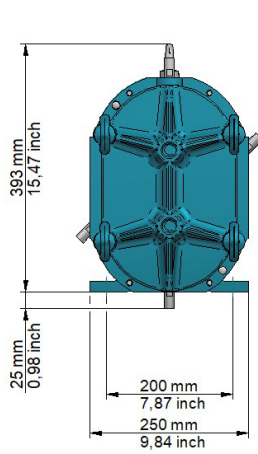
##### PL 300 – Abmessungen Pumpe (Classic und Select Ausführung) [in mm / inch]



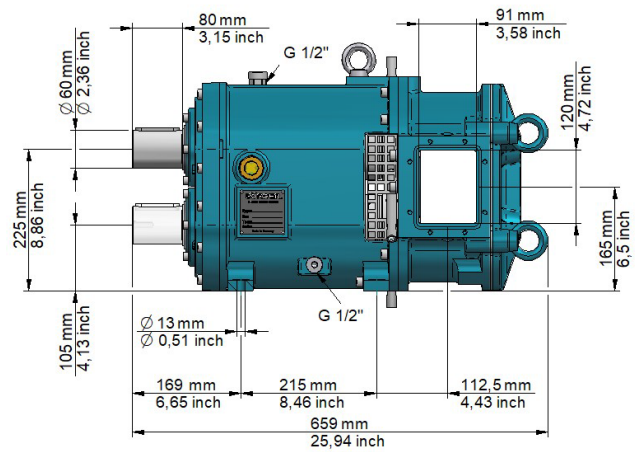
Gewicht: 119 kg (262 lbs)

### 3.2 Baureihe PL – Detailmaße Protect

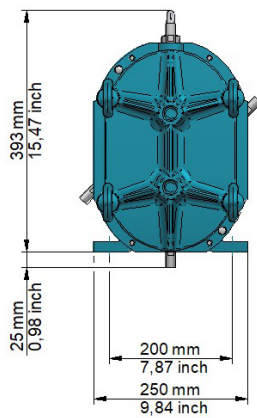
#### PL 200 – Abmessungen Pumpe (Protect) [in mm / inch]



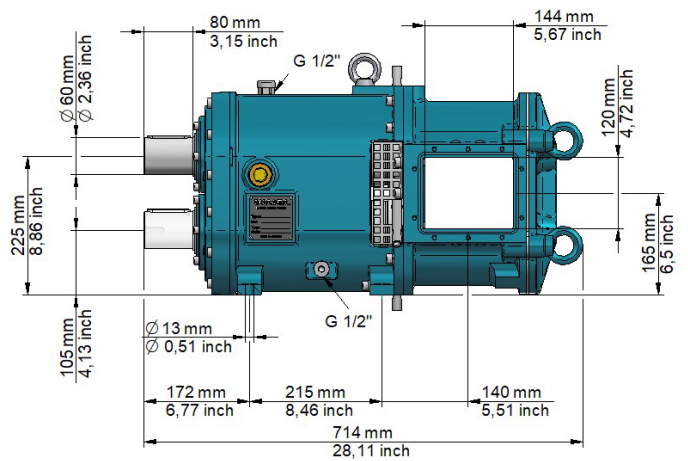
Gewicht: 151 kg (333 lbs)



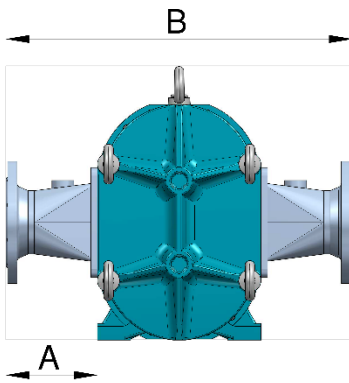
#### PL 300 – Abmessungen Pumpe (Protect) [in mm / inch]



Gewicht: 160 kg (353 lbs)



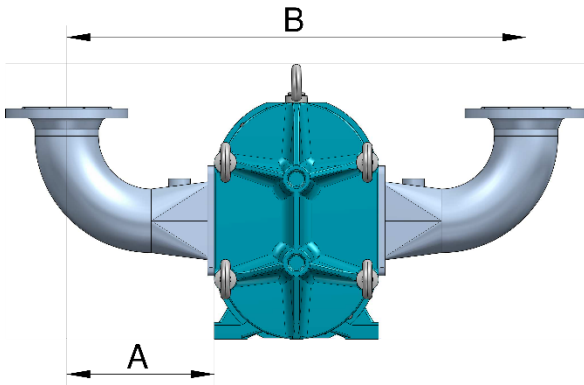
3.3 Baureihe PL – Bauform 1



| Bauform 1         |                   | PL 200    |               |           |               |           |               |           |               |
|-------------------|-------------------|-----------|---------------|-----------|---------------|-----------|---------------|-----------|---------------|
| Nennweite<br>[DN] | Dimension<br>[in] | DIN       |               |           |               | ANSI      |               |           |               |
|                   |                   | A<br>[mm] | A<br>[inches] | B<br>[mm] | B<br>[inches] | A<br>[mm] | A<br>[inches] | B<br>[mm] | B<br>[inches] |
| 50                | 2"                | 156       | 6,14          | 562       | 22,13         | 175       | 6,89          | 600       | 23,62         |
| 65                | 2 1/2"            | 176       | 6,93          | 602       | 23,70         | 201       | 7,91          | 652       | 25,67         |
| 80                | 3"                | 156       | 6,14          | 562       | 22,13         | 175       | 6,89          | 600       | 23,62         |
| 100               | 4"                | 136       | 5,35          | 522       | 20,55         | 160       | 6,30          | 570       | 22,44         |
| 125               | 5"                | 151       | 5,94          | 552       | 21,73         | 185       | 7,28          | 620       | 24,41         |
| 150               | 6"                | 181       | 7,13          | 612       | 24,09         | 215       | 8,46          | 680       | 26,77         |
| 200               | 8"                | 251       | 9,88          | 752       | 29,61         | 291       | 11,46         | 832       | 32,76         |
| 250               | 10"               | 251       | 9,88          | 752       | 29,61         | —         | —             | —         | —             |

| Bauform 1         |                   | PL 300    |               |           |               |           |               |           |               |
|-------------------|-------------------|-----------|---------------|-----------|---------------|-----------|---------------|-----------|---------------|
| Nennweite<br>[DN] | Dimension<br>[in] | DIN       |               |           |               | ANSI      |               |           |               |
|                   |                   | A<br>[mm] | A<br>[inches] | B<br>[mm] | B<br>[inches] | A<br>[mm] | A<br>[inches] | B<br>[mm] | B<br>[inches] |
| 50                | 2"                | —         | —             | —         | —             | 240       | 9,45          | 730       | 28,74         |
| 65                | 2 1/2"            | 200       | 7,87          | 650       | 25,59         | 225       | 8,86          | 700       | 27,56         |
| 80                | 3"                | 236       | 9,29          | 722       | 28,43         | 256       | 10,08         | 762       | 30,00         |
| 100               | 4"                | 201       | 7,91          | 652       | 25,67         | 225       | 8,86          | 700       | 27,56         |
| 125               | 5"                | 161       | 6,34          | 572       | 22,52         | 195       | 7,68          | 640       | 25,20         |
| 150               | 6"                | 166       | 6,54          | 582       | 22,91         | 200       | 7,87          | 650       | 25,59         |
| 200               | 8"                | 196       | 7,72          | 642       | 25,28         | 236       | 9,29          | 722       | 28,43         |
| 250               | 10"               | 295       | 11,61         | 840       | 33,07         | 329       | 12,95         | 908       | 35,75         |

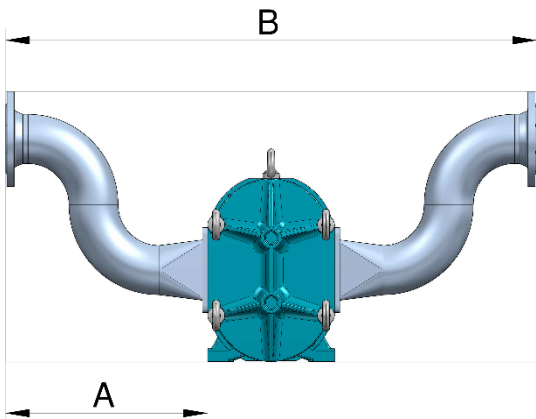
3.4 Baureihe PL – Bauform 2 und 3



| Baupform 2 & 3    |                   | PL 200 |          |       |          |      |          |       |          |
|-------------------|-------------------|--------|----------|-------|----------|------|----------|-------|----------|
| Nennweite<br>[DN] | Dimension<br>[in] | DIN    |          |       |          | ANSI |          |       |          |
|                   |                   | A      |          | B     |          | A    |          | B     |          |
|                   |                   | [mm]   | [inches] | [mm]  | [inches] | [mm] | [inches] | [mm]  | [inches] |
| 50                | 2"                | 187    | 7,36     | 624   | 24,57    | 187  | 7,36     | 624   | 24,57    |
| 65                | 2 1/2"            | 226    | 8,90     | 702   | 27,64    | 226  | 8,90     | 702   | 27,64    |
| 80                | 3"                | 220    | 8,66     | 690   | 27,17    | 220  | 8,66     | 690   | 27,17    |
| 100               | 4"                | 237    | 9,33     | 724   | 28,50    | 237  | 9,33     | 724   | 28,50    |
| 125               | 5"                | 286    | 11,26    | 822   | 32,36    | 286  | 11,26    | 822   | 32,36    |
| 150               | 6"                | 355    | 13,98    | 960   | 37,80    | 355  | 13,98    | 960   | 37,80    |
| 200               | 8"                | 494    | 19,45    | 1.238 | 48,74    | 494  | 19,45    | 1.238 | 48,74    |

| Baupform 2 & 3    |                   | PL 300 |          |       |          |      |          |       |          |
|-------------------|-------------------|--------|----------|-------|----------|------|----------|-------|----------|
| Nennweite<br>[DN] | Dimension<br>[in] | DIN    |          |       |          | ANSI |          |       |          |
|                   |                   | A      |          | B     |          | A    |          | B     |          |
|                   |                   | [mm]   | [inches] | [mm]  | [inches] | [mm] | [inches] | [mm]  | [inches] |
| 80                | 3"                | 300    | 11,81    | 850   | 33,46    | 300  | 11,81    | 850   | 33,46    |
| 100               | 4"                | 302    | 11,89    | 854   | 33,62    | 302  | 11,89    | 854   | 33,62    |
| 125               | 5"                | 296    | 11,65    | 842   | 33,15    | 296  | 11,65    | 842   | 33,15    |
| 150               | 6"                | 340    | 13,39    | 930   | 36,61    | 340  | 13,39    | 930   | 36,61    |
| 200               | 8"                | 439    | 17,28    | 1.128 | 44,41    | 439  | 17,28    | 1.128 | 44,41    |

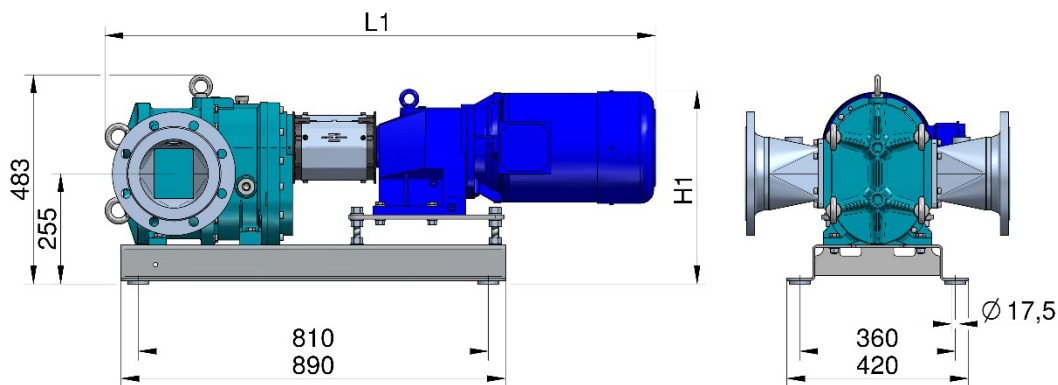
3.5 Baureihe PL – Bauform 6



| Bauform 6      |                | PL 200 |          |       |          |      |          |       |          |
|----------------|----------------|--------|----------|-------|----------|------|----------|-------|----------|
| Nennweite [DN] | Dimension [in] | DIN    |          |       |          | ANSI |          |       |          |
|                |                | A      |          | B     |          | A    |          | B     |          |
|                |                | [mm]   | [inches] | [mm]  | [inches] | [mm] | [inches] | [mm]  | [inches] |
| 50             | 2"             | 308    | 12,13    | 866   | 34,09    | 327  | 12,87    | 904   | 35,59    |
| 65             | 2 1/2"         | 366    | 14,41    | 982   | 38,66    | 391  | 15,39    | 1.032 | 40,63    |
| 80             | 3"             | 384    | 15,12    | 1.018 | 40,08    | 404  | 15,91    | 1.058 | 41,65    |
| 100            | 4"             | 442    | 17,40    | 1.134 | 44,65    | 466  | 18,35    | 1.182 | 46,54    |
| 125            | 5"             | 531    | 20,91    | 1.312 | 51,65    | 565  | 22,24    | 1.380 | 54,33    |
| 150            | 6"             | 639    | 25,16    | 1.528 | 60,16    | 673  | 26,50    | 1.596 | 62,83    |
| 200            | 8"             | 861    | 33,90    | 1.972 | 77,64    | 901  | 35,47    | 2.052 | 80,79    |

| Bauform 6      |                | PL 300 |          |       |          |      |          |       |          |
|----------------|----------------|--------|----------|-------|----------|------|----------|-------|----------|
| Nennweite [DN] | Dimension [in] | DIN    |          |       |          | ANSI |          |       |          |
|                |                | A      |          | B     |          | A    |          | B     |          |
|                |                | [mm]   | [inches] | [mm]  | [inches] | [mm] | [inches] | [mm]  | [inches] |
| 80             | 3"             | 464    | 18,27    | 1.178 | 46,38    | 484  | 19,06    | 1.218 | 47,95    |
| 100            | 4"             | 507    | 19,96    | 1.264 | 49,76    | 531  | 20,91    | 1.312 | 51,65    |
| 125            | 5"             | 541    | 21,30    | 1.332 | 52,44    | 575  | 22,64    | 1.400 | 55,12    |
| 150            | 6"             | 624    | 24,57    | 1.498 | 58,98    | 658  | 25,91    | 1.566 | 61,65    |
| 200            | 8"             | 806    | 31,73    | 1.862 | 73,31    | 846  | 33,31    | 1.942 | 76,46    |

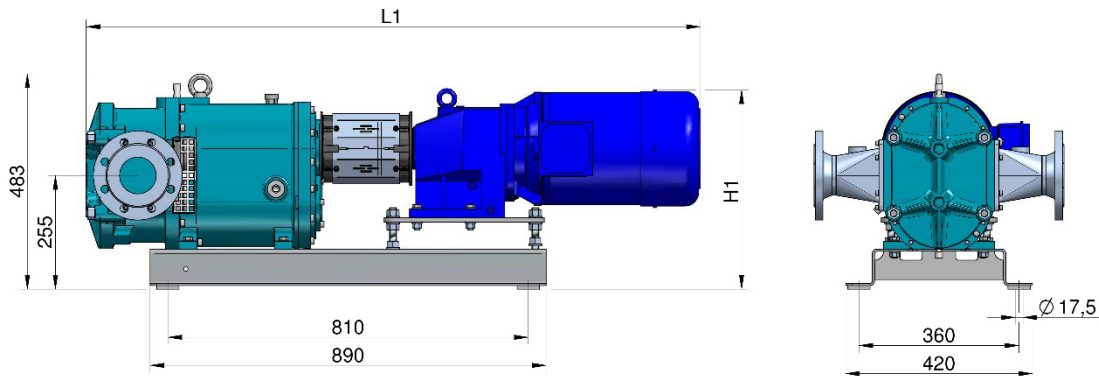
### 3.6 Baureihe PL – Standard Aggregat Classic und Select [in mm]



| Antrieb |       | PL 200 (Classic & Select) |        |             |          |      |          |
|---------|-------|---------------------------|--------|-------------|----------|------|----------|
|         |       | Gewicht                   |        | Abmessungen |          |      |          |
|         |       | [kg]                      | [lbs]  | L1          |          | H1   |          |
| [kw]    | [hp]  |                           |        | [mm]        | [inches] | [mm] | [inches] |
| 2,2     | 2,95  | 190                       | 418,88 | 1.190       | 46,85    | 414  | 16,30    |
| 3,0     | 4,02  | 194                       | 427,70 | 1.190       | 46,85    | 414  | 16,30    |
| 4,0     | 5,36  | 206                       | 454,15 | 1.216       | 47,87    | 426  | 16,77    |
| 5,5     | 7,38  | 227                       | 500,45 | 1.273       | 50,12    | 426  | 16,77    |
| 7,5     | 10,06 | 240                       | 529,11 | 1.335       | 52,56    | 453  | 17,83    |
| 9,2     | 12,34 | 256                       | 564,38 | 1.335       | 52,56    | 453  | 17,83    |
| 11,0    | 14,75 | 295                       | 650,36 | 1.460       | 57,48    | 453  | 17,83    |
| 15,0    | 20,12 | 359                       | 791,46 | 1.507       | 59,33    | 481  | 18,94    |

| Antrieb |       | PL 300 (Classic & Select) |        |             |          |      |          |
|---------|-------|---------------------------|--------|-------------|----------|------|----------|
|         |       | Gewicht                   |        | Abmessungen |          |      |          |
|         |       | [kg]                      | [lbs]  | L1          |          | H1   |          |
| [kw]    | [hp]  |                           |        | [mm]        | [inches] | [mm] | [inches] |
| 3,0     | 4,02  | 208                       | 458,56 | 1.245       | 49,02    | 414  | 16,30    |
| 4,0     | 5,36  | 220                       | 485,02 | 1.271       | 50,04    | 426  | 16,77    |
| 5,5     | 7,38  | 241                       | 531,31 | 1.328       | 52,28    | 426  | 16,77    |
| 7,5     | 10,06 | 254                       | 559,97 | 1.390       | 54,72    | 453  | 17,83    |
| 9,2     | 12,34 | 270                       | 595,25 | 1.390       | 54,72    | 453  | 17,83    |
| 11,0    | 14,75 | 309                       | 681,23 | 1.515       | 59,65    | 453  | 17,83    |
| 15,0    | 20,12 | 372                       | 820,12 | 1.562       | 61,50    | 481  | 18,94    |

3.7 Baureihe PL – Standard Aggregat Protect [in mm]



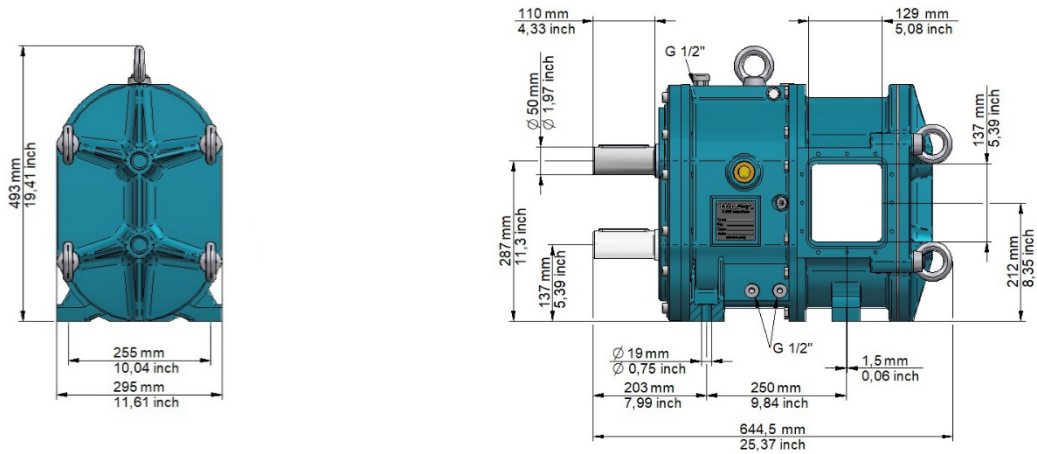
| Antrieb |       | PL 200 (Protect) |        |             |          |      |          |
|---------|-------|------------------|--------|-------------|----------|------|----------|
|         |       | Gewicht          |        | Abmessungen |          |      |          |
|         |       | [kg]             | [lbs]  | L1          |          | H1   |          |
| [kw]    | [hp]  |                  |        | [mm]        | [inches] | [mm] | [inches] |
| 2,2     | 2,95  | 231              | 509,27 | 1.381       | 54,37    | 414  | 16,30    |
| 3,0     | 4,02  | 235              | 518,09 | 1.381       | 54,37    | 414  | 16,30    |
| 4,0     | 5,36  | 247              | 544,54 | 1.407       | 55,39    | 426  | 16,77    |
| 5,5     | 7,38  | 268              | 590,84 | 1.464       | 57,64    | 426  | 16,77    |
| 7,5     | 10,06 | 281              | 619,50 | 1.526       | 60,08    | 453  | 17,83    |
| 9,2     | 12,34 | 297              | 654,77 | 1.526       | 60,08    | 453  | 17,83    |
| 11,0    | 14,75 | 336              | 740,75 | 1.651       | 65,00    | 453  | 17,83    |
| 15,0    | 20,12 | 400              | 881,85 | 1.698       | 66,85    | 481  | 18,94    |

| Antrieb |       | PL 300 (Protect) |        |             |          |      |          |
|---------|-------|------------------|--------|-------------|----------|------|----------|
|         |       | Gewicht          |        | Abmessungen |          |      |          |
|         |       | [kg]             | [lbs]  | L1          |          | H1   |          |
| [kw]    | [hp]  |                  |        | [mm]        | [inches] | [mm] | [inches] |
| 3,0     | 4,02  | 249              | 548,95 | 1.491       | 58,70    | 414  | 16,30    |
| 4,0     | 5,36  | 261              | 575,41 | 1.517       | 59,72    | 426  | 16,77    |
| 5,5     | 7,38  | 282              | 621,70 | 1.574       | 61,97    | 426  | 16,77    |
| 7,5     | 10,06 | 295              | 650,36 | 1.636       | 64,41    | 453  | 17,83    |
| 9,2     | 12,34 | 311              | 685,64 | 1.636       | 64,41    | 453  | 17,83    |
| 11,0    | 14,75 | 350              | 771,62 | 1.761       | 69,33    | 453  | 17,83    |
| 15,0    | 20,12 | 413              | 910,51 | 1.808       | 71,18    | 481  | 18,94    |

## 4.0 Baureihe CL

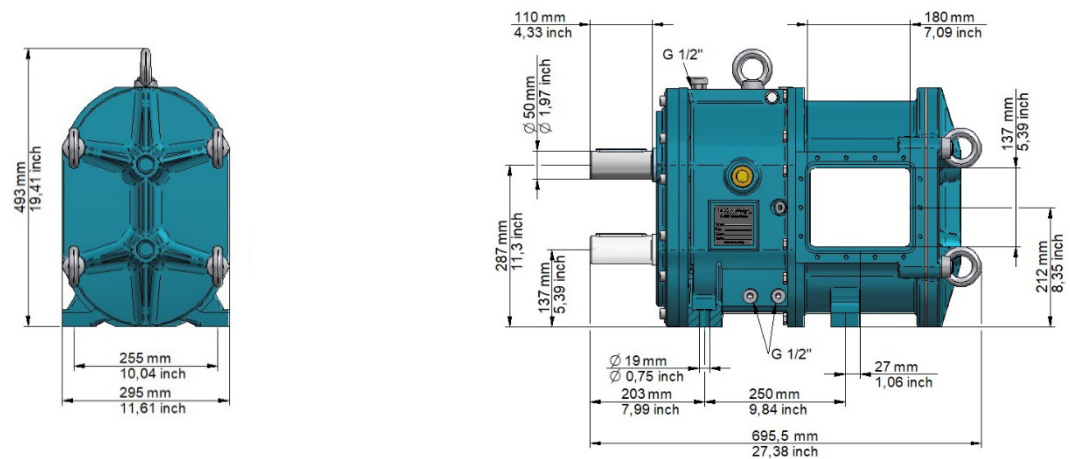
### 4.1 Baureihe CL – Detailmaße

#### CL 390 – Abmessungen Pumpe [in mm / inch]



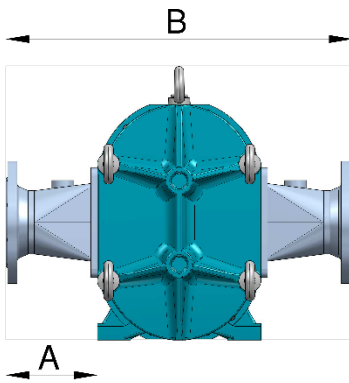
Gewicht: 205 kg (452 lbs)

#### CL 520 – Abmessungen Pumpe [in mm / inch]



Gewicht: 225 kg (496 lbs)

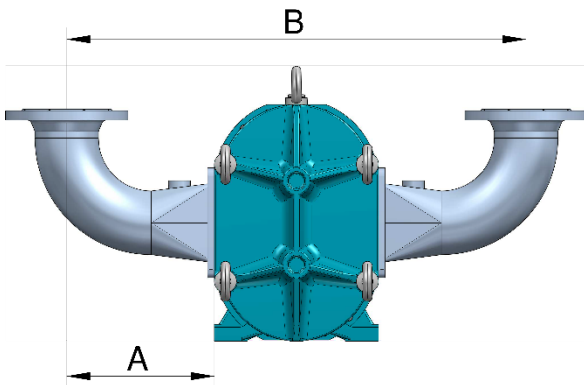
## 4.2 Baureihe CL – Bauform 1



| Baupform 1        |                   | CL 390    |               |           |               |           |               |           |               |
|-------------------|-------------------|-----------|---------------|-----------|---------------|-----------|---------------|-----------|---------------|
| Nennweite<br>[DN] | Dimension<br>[in] | DIN       |               |           |               | ANSI      |               |           |               |
|                   |                   | A<br>[mm] | A<br>[inches] | B<br>[mm] | B<br>[inches] | A<br>[mm] | A<br>[inches] | B<br>[mm] | B<br>[inches] |
| 50                | 2"                | 153       | 6,02          | 601       | 23,66         | 172       | 6,77          | 639       | 25,16         |
| 80                | 3"                | 195       | 7,68          | 685       | 26,97         | 215       | 8,46          | 725       | 28,54         |
| 100               | 4"                | 160       | 6,30          | 615       | 24,21         | 184       | 7,24          | 663       | 26,10         |
| 125               | 5"                | 175       | 6,89          | 645       | 25,39         | 209       | 8,23          | 713       | 28,07         |
| 150               | 6"                | 160       | 6,30          | 615       | 24,21         | 194       | 7,64          | 683       | 26,89         |
| 200               | 8"                | 260       | 10,24         | 815       | 32,09         | 300       | 11,81         | 895       | 35,24         |
| 250               | 10"               | 295       | 11,61         | 885       | 34,84         | 329       | 12,95         | 953       | 37,52         |
| 300               | 12"               | 370       | 14,57         | 1.035     | 40,75         | 416       | 16,38         | 1.127     | 44,37         |

| Baupform 1        |                   | CL 520    |               |           |               |           |               |           |               |
|-------------------|-------------------|-----------|---------------|-----------|---------------|-----------|---------------|-----------|---------------|
| Nennweite<br>[DN] | Dimension<br>[in] | DIN       |               |           |               | ANSI      |               |           |               |
|                   |                   | A<br>[mm] | A<br>[inches] | B<br>[mm] | B<br>[inches] | A<br>[mm] | A<br>[inches] | B<br>[mm] | B<br>[inches] |
| 100               | 4"                | 260       | 10,24         | 815       | 32,09         | 284       | 11,18         | 863       | 33,98         |
| 125               | 5"                | 250       | 9,84          | 795       | 31,30         | 284       | 11,18         | 863       | 33,98         |
| 150               | 6"                | 165       | 6,50          | 625       | 24,61         | 199       | 7,83          | 693       | 27,28         |
| 200               | 8"                | 175       | 6,89          | 645       | 25,39         | 215       | 8,46          | 725       | 28,54         |
| 250               | 10"               | 245       | 9,65          | 785       | 30,91         | 279       | 10,98         | 853       | 33,58         |

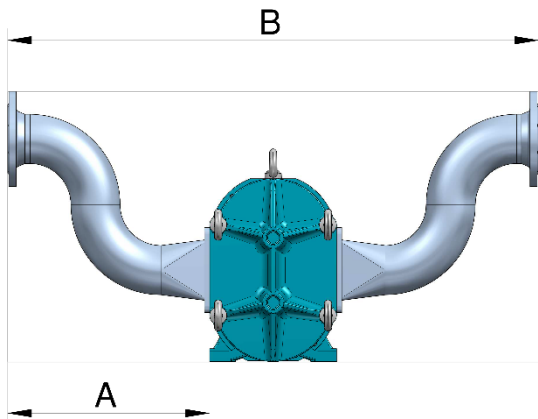
4.3 Baureihe CL – Bauform 2 und 3



| Baupform 2 & 3    |                   | CL 390    |               |           |               |           |               |           |               |
|-------------------|-------------------|-----------|---------------|-----------|---------------|-----------|---------------|-----------|---------------|
| Nennweite<br>[DN] | Dimension<br>[in] | DIN       |               |           |               | ANSI      |               |           |               |
|                   |                   | A<br>[mm] | A<br>[inches] | B<br>[mm] | B<br>[inches] | A<br>[mm] | A<br>[inches] | B<br>[mm] | B<br>[inches] |
| 80                | 3"                | 259       | 10,20         | 813       | 32,01         | 259       | 10,20         | 813       | 32,01         |
| 100               | 4"                | 261       | 10,28         | 817       | 32,17         | 261       | 10,28         | 817       | 32,17         |
| 125               | 5"                | 310       | 12,20         | 915       | 36,02         | 310       | 12,20         | 915       | 36,02         |
| 150               | 6"                | 334       | 13,15         | 963       | 37,91         | 334       | 13,15         | 963       | 37,91         |
| 200               | 8"                | 503       | 19,80         | 1.301     | 51,22         | 503       | 19,80         | 1.301     | 51,22         |

| Baupform 2 & 3    |                   | CL 520    |               |           |               |           |               |           |               |
|-------------------|-------------------|-----------|---------------|-----------|---------------|-----------|---------------|-----------|---------------|
| Nennweite<br>[DN] | Dimension<br>[in] | DIN       |               |           |               | ANSI      |               |           |               |
|                   |                   | A<br>[mm] | A<br>[inches] | B<br>[mm] | B<br>[inches] | A<br>[mm] | A<br>[inches] | B<br>[mm] | B<br>[inches] |
| 100               | 4"                | 361       | 14,21         | 1.017     | 40,04         | 361       | 14,21         | 1.017     | 40,04         |
| 125               | 5"                | 385       | 15,16         | 1.065     | 41,93         | 385       | 15,16         | 1.065     | 41,93         |
| 150               | 6"                | 339       | 13,35         | 973       | 38,31         | 339       | 13,35         | 973       | 38,31         |
| 200               | 8"                | 418       | 16,46         | 1.131     | 44,53         | 418       | 16,46         | 1.131     | 44,53         |

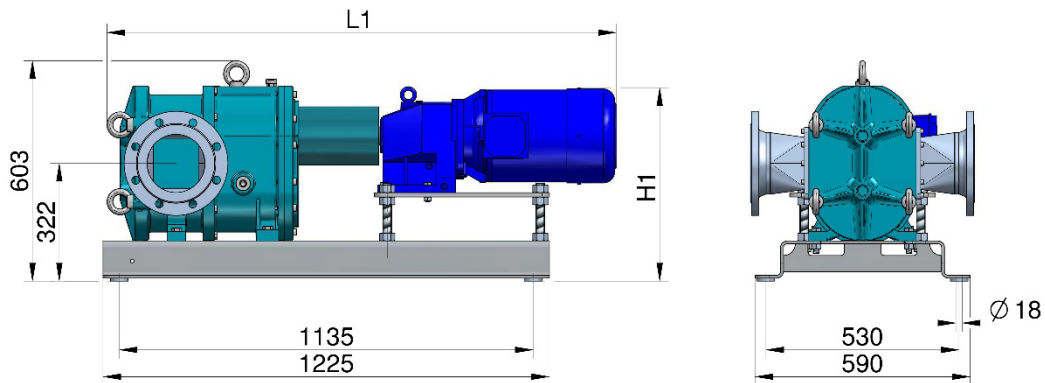
#### 4.4 Baureihe CL – Bauform 6



| Bauform 6         |                   | CL 390 |          |       |          |      |          |       |          |
|-------------------|-------------------|--------|----------|-------|----------|------|----------|-------|----------|
| Nennweite<br>[DN] | Dimension<br>[in] | DIN    |          |       |          | ANSI |          |       |          |
|                   |                   | A      |          | B     |          | A    |          | B     |          |
|                   |                   | [mm]   | [inches] | [mm]  | [inches] | [mm] | [inches] | [mm]  | [inches] |
| 80                | 3"                | 423    | 16,65    | 1.141 | 44,92    | 443  | 17,44    | 1.181 | 46,50    |
| 100               | 4"                | 466    | 18,35    | 1.227 | 48,31    | 490  | 19,29    | 1.275 | 50,20    |
| 125               | 5"                | 555    | 21,85    | 1.405 | 55,31    | 589  | 23,19    | 1.473 | 57,99    |
| 150               | 6"                | 618    | 24,33    | 1.531 | 60,28    | 652  | 25,67    | 1.599 | 62,95    |
| 200               | 8"                | 870    | 34,25    | 2.035 | 80,12    | 910  | 35,83    | 2.115 | 83,27    |

| Bauform 6         |                   | CL 520 |          |       |          |      |          |       |          |
|-------------------|-------------------|--------|----------|-------|----------|------|----------|-------|----------|
| Nennweite<br>[DN] | Dimension<br>[in] | DIN    |          |       |          | ANSI |          |       |          |
|                   |                   | A      |          | B     |          | A    |          | B     |          |
|                   |                   | [mm]   | [inches] | [mm]  | [inches] | [mm] | [inches] | [mm]  | [inches] |
| 100               | 4"                | 566    | 22,28    | 1.427 | 56,18    | 590  | 23,23    | 1.475 | 58,07    |
| 125               | 5"                | 630    | 24,80    | 1.555 | 61,22    | 665  | 26,18    | 1.625 | 63,98    |
| 150               | 6"                | 623    | 24,53    | 1.541 | 60,67    | 657  | 25,87    | 1.609 | 63,35    |
| 200               | 8"                | 785    | 30,91    | 1.865 | 73,43    | 825  | 32,48    | 1.945 | 76,57    |

### 4.5 Baureihe CL – Standard Aggregat [in mm]



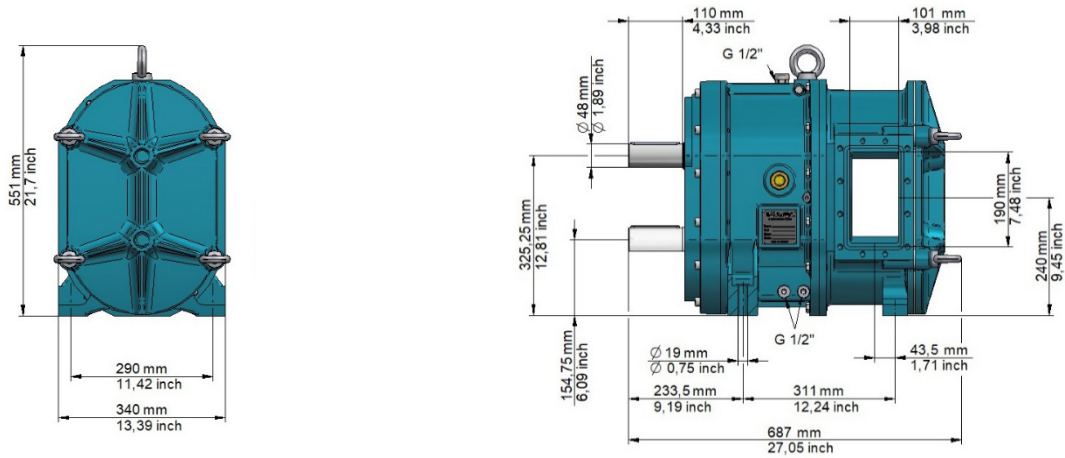
| Antrieb |       | CL 390  |          |             |          |      |          |
|---------|-------|---------|----------|-------------|----------|------|----------|
|         |       | Gewicht |          | Abmessungen |          |      |          |
|         |       | [kg]    | [lbs]    | L1          |          | H1   |          |
| [kw]    | [hp]  |         |          | [mm]        | [inches] | [mm] | [inches] |
| 3,0     | 4,02  | 352     | 776,03   | 1.365       | 53,74    | 500  | 19,69    |
| 4,0     | 5,36  | 364     | 802,48   | 1.390       | 54,72    | 515  | 20,28    |
| 5,5     | 7,38  | 385     | 848,78   | 1.525       | 60,04    | 530  | 20,87    |
| 7,5     | 10,06 | 396     | 873,03   | 1.525       | 60,04    | 530  | 20,87    |
| 9,2     | 12,34 | 410     | 903,89   | 1.560       | 61,42    | 530  | 20,87    |
| 11,0    | 14,75 | 438     | 965,62   | 1.665       | 65,55    | 557  | 21,93    |
| 15,0    | 20,12 | 501     | 1.104,51 | 1.665       | 65,55    | 557  | 21,93    |
| 18,5    | 24,81 | 515     | 1.135,38 | 1.775       | 69,88    | 576  | 22,68    |

| Antrieb |       | CL 520  |          |             |          |      |          |
|---------|-------|---------|----------|-------------|----------|------|----------|
|         |       | Gewicht |          | Abmessungen |          |      |          |
|         |       | [kg]    | [lbs]    | L1          |          | H1   |          |
| [kw]    | [hp]  |         |          | [mm]        | [inches] | [mm] | [inches] |
| 3,0     | 4,02  | 376     | 828,94   | 1.406       | 55,35    | 500  | 19,69    |
| 4,0     | 5,36  | 388     | 855,39   | 1.431       | 56,34    | 415  | 16,34    |
| 5,5     | 7,38  | 409     | 901,69   | 1.566       | 61,65    | 530  | 20,87    |
| 7,5     | 10,06 | 420     | 925,94   | 1.566       | 61,65    | 530  | 20,87    |
| 9,2     | 12,34 | 435     | 959,01   | 1.601       | 63,03    | 530  | 20,87    |
| 11,0    | 14,75 | 462     | 1.018,53 | 1.706       | 67,17    | 557  | 21,93    |
| 15,0    | 20,12 | 526     | 1.159,63 | 1.706       | 67,17    | 557  | 21,93    |
| 18,5    | 24,81 | 540     | 1.190,49 | 1.816       | 71,50    | 576  | 22,68    |

## 5.0 Baureihe FL

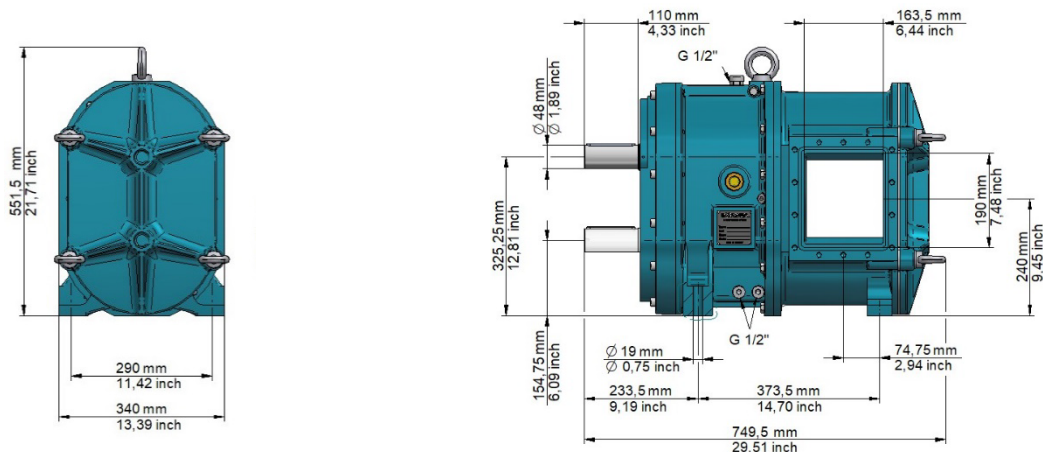
### 5.1 Baureihe FL – Detailmaße Classic und Select

#### FL 518 – Abmessungen Pumpe (Classic & Select) [in mm / inch]



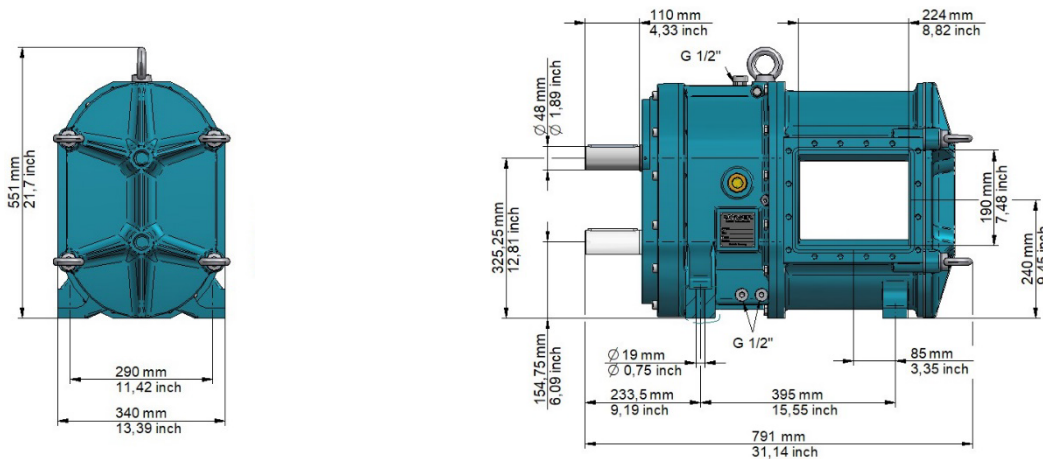
Gewicht: 273 kg (602 lbs)

#### FL 776 – Abmessungen Pumpe (Classic & Select) [in mm / inch]



Gewicht: 299 kg (659 lbs)

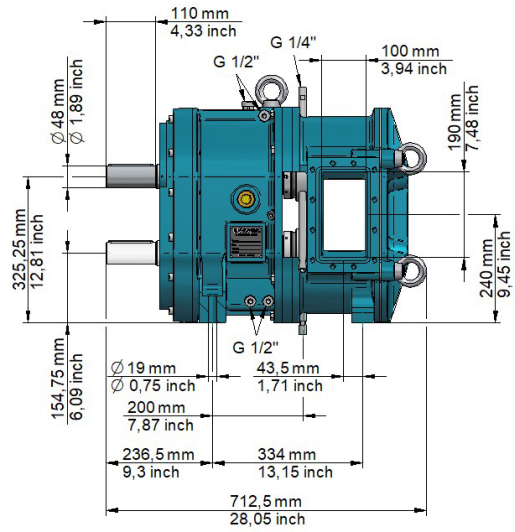
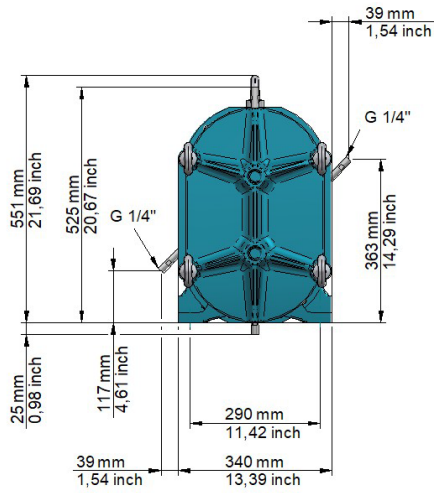
#### FL 1036 – Abmessungen Pumpe (Classic & Select) [in mm / inch]



Gewicht: 305 kg (672 lbs)

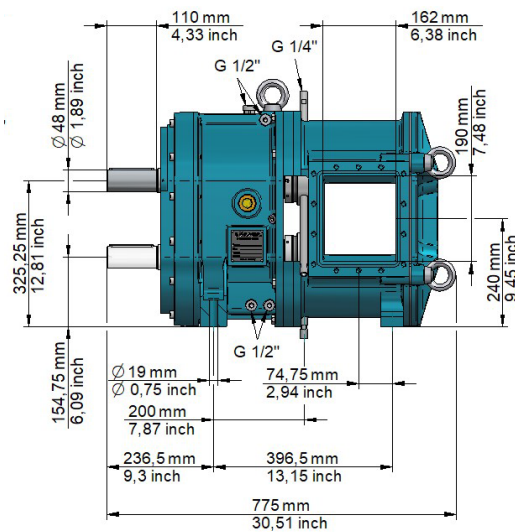
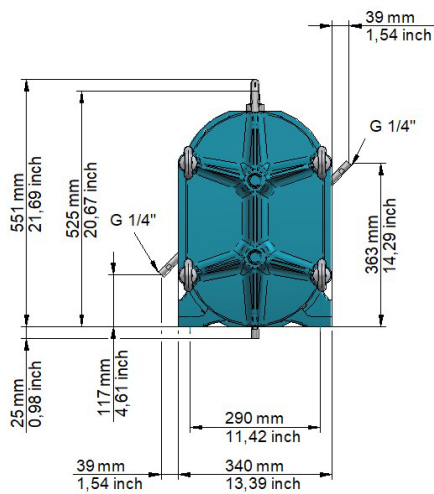
## 5.2 Baureihe FL – Detailmaße Protect

### FL 518 – Abmessungen Pumpe (Protect) [in mm / inch]



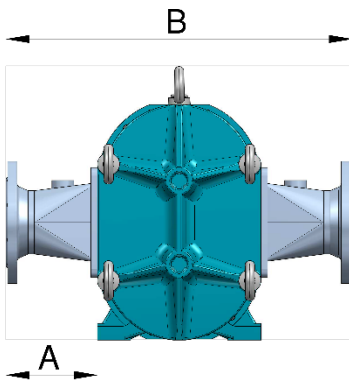
Gewicht: 278 kg (613 lbs)

### FL 776 – Abmessungen Pumpe (Protect) [in mm / inch]



Gewicht: 304 kg (670 lbs)

5.3 Baureihe FL – Bauform 1

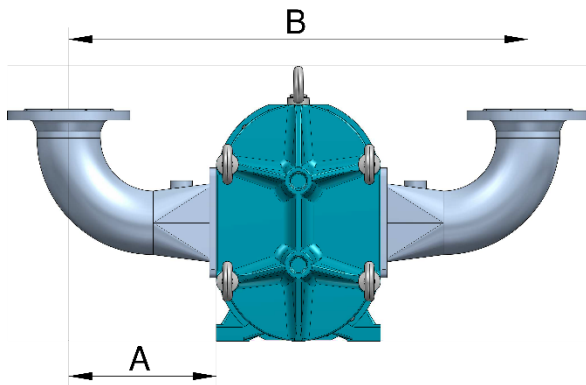


| Bauform 1         |                   | FL 518 |          |       |          |      |          |       |          |
|-------------------|-------------------|--------|----------|-------|----------|------|----------|-------|----------|
| Nennweite<br>[DN] | Dimension<br>[in] | DIN    |          |       |          | ANSI |          |       |          |
|                   |                   | A      | B        | A     | B        | A    | B        |       |          |
|                   |                   | [mm]   | [inches] | [mm]  | [inches] | [mm] | [inches] | [mm]  | [inches] |
| 80                | 3"                | 181    | 7,13     | 702   | 27,64    | —    | —        | —     | —        |
| 100               | 4"                | 206    | 8,11     | 752   | 29,61    | 230  | 9,06     | 800   | 31,50    |
| 125               | 5"                | 166    | 6,54     | 672   | 26,46    | 200  | 7,87     | 740   | 29,13    |
| 150               | 6"                | 176    | 6,93     | 692   | 27,24    | 210  | 8,27     | 760   | 29,92    |
| 200               | 8"                | 251    | 9,88     | 842   | 33,15    | 291  | 11,46    | 921   | 36,26    |
| 250               | 10"               | 221    | 8,70     | 782   | 30,79    | 255  | 10,04    | 849   | 33,43    |
| 300               | 12"               | 324    | 12,76    | 988   | 38,90    | 370  | 14,57    | 1.080 | 42,52    |
| 350               | 14"               | 468    | 18,43    | 1.276 | 50,24    | 527  | 20,75    | 1.394 | 54,88    |

| Bauform 1         |                   | FL 776 |          |       |          |      |          |       |          |
|-------------------|-------------------|--------|----------|-------|----------|------|----------|-------|----------|
| Nennweite<br>[DN] | Dimension<br>[in] | DIN    |          |       |          | ANSI |          |       |          |
|                   |                   | A      | B        | A     | B        | A    | B        |       |          |
|                   |                   | [mm]   | [inches] | [mm]  | [inches] | [mm] | [inches] | [mm]  | [inches] |
| 100               | 4"                | 206    | 8,11     | 752   | 29,61    | 230  | 9,06     | 804   | 31,65    |
| 125               | 5"                | 201    | 7,91     | 742   | 29,21    | 235  | 9,25     | 814   | 32,05    |
| 150               | 6"                | 176    | 6,93     | 692   | 27,24    | 210  | 8,27     | 764   | 30,08    |
| 200               | 8"                | 151    | 5,94     | 642   | 25,28    | 191  | 7,52     | 726   | 28,58    |
| 250               | 10"               | 251    | 9,88     | 842   | 33,15    | 285  | 11,22    | 914   | 35,98    |
| 300               | 12"               | 284    | 11,18    | 908   | 35,75    | 330  | 12,99    | 1.000 | 39,37    |
| 350               | 14"               | 337    | 13,27    | 1.014 | 39,92    | 396  | 15,59    | 1.132 | 44,57    |

| Bauform 1         |                   | FL 1036 |          |       |          |      |          |       |          |
|-------------------|-------------------|---------|----------|-------|----------|------|----------|-------|----------|
| Nennweite<br>[DN] | Dimension<br>[in] | DIN     |          |       |          | ANSI |          |       |          |
|                   |                   | A       | B        | A     | B        | A    | B        |       |          |
|                   |                   | [mm]    | [inches] | [mm]  | [inches] | [mm] | [inches] | [mm]  | [inches] |
| 80                | 3"                | 152     | 5,98     | 644   | 25,35    | —    | —        | —     | —        |
| 100               | 4"                | 152     | 5,98     | 644   | 25,35    | 176  | 6,93     | 692   | 27,24    |
| 125               | 5"                | 203     | 7,99     | 746   | 29,37    | —    | —        | —     | —        |
| 150               | 6"                | 226     | 8,90     | 792   | 31,18    | 260  | 10,24    | 860   | 33,86    |
| 200               | 8"                | 201     | 7,91     | 742   | 29,21    | 241  | 9,49     | 821   | 32,32    |
| 250               | 10"               | 201     | 7,91     | 742   | 29,21    | 235  | 9,25     | 809   | 31,85    |
| 300               | 12"               | 332     | 13,07    | 1.004 | 39,53    | 378  | 14,88    | 1.096 | 43,15    |

5.4 Baureihe FL – Bauform 2 und 3

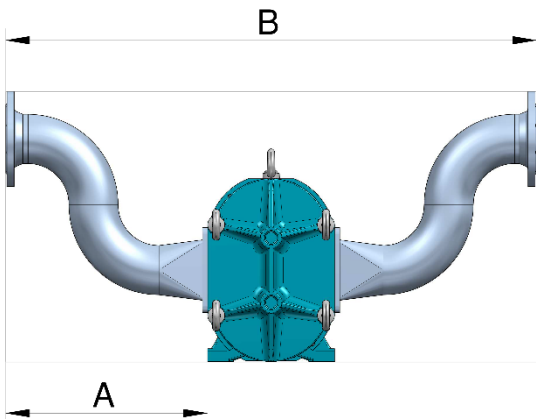


| Baupform 2 & 3    |                   | FL 518    |               |           |               |           |               |           |               |
|-------------------|-------------------|-----------|---------------|-----------|---------------|-----------|---------------|-----------|---------------|
| Nennweite<br>[DN] | Dimension<br>[in] | DIN       |               |           |               | ANSI      |               |           |               |
|                   |                   | A<br>[mm] | A<br>[inches] | B<br>[mm] | B<br>[inches] | A<br>[mm] | A<br>[inches] | B<br>[mm] | B<br>[inches] |
| 80                | 3"                | 246       | 9,69          | 832       | 32,76         | —         | —             | —         | —             |
| 100               | 4"                | 307       | 12,09         | 954       | 37,56         | 307       | 12,09         | 954       | 37,56         |
| 125               | 5"                | 301       | 11,85         | 942       | 37,09         | 301       | 11,85         | 942       | 37,09         |
| 150               | 6"                | 350       | 13,78         | 1.040     | 40,94         | 350       | 13,78         | 1.040     | 40,94         |
| 200               | 8"                | 494       | 19,45         | 1.328     | 52,28         | 494       | 19,45         | 1.328     | 52,28         |
| 250               | 10"               | 534       | 21,02         | 1.408     | 55,43         | 534       | 21,02         | 1.408     | 55,43         |

| Baupform 2 & 3    |                   | FL 776    |               |           |               |           |               |           |               |
|-------------------|-------------------|-----------|---------------|-----------|---------------|-----------|---------------|-----------|---------------|
| Nennweite<br>[DN] | Dimension<br>[in] | DIN       |               |           |               | ANSI      |               |           |               |
|                   |                   | A<br>[mm] | A<br>[inches] | B<br>[mm] | B<br>[inches] | A<br>[mm] | A<br>[inches] | B<br>[mm] | B<br>[inches] |
| 100               | 4"                | 305       | 12,01         | 950       | 37,40         | 305       | 12,01         | 950       | 37,40         |
| 125               | 5"                | 336       | 13,23         | 1.012     | 39,84         | 336       | 13,23         | 1.012     | 39,84         |
| 150               | 6"                | 350       | 13,78         | 1.040     | 40,94         | 350       | 13,78         | 1.040     | 40,94         |
| 200               | 8"                | 394       | 15,51         | 1.128     | 44,41         | 394       | 15,51         | 1.128     | 44,41         |
| 250               | 10"               | 564       | 22,20         | 1.468     | 57,80         | 564       | 22,20         | 1.468     | 57,80         |

| Baupform 2 & 3    |                   | FL 1036   |               |           |               |           |               |           |               |
|-------------------|-------------------|-----------|---------------|-----------|---------------|-----------|---------------|-----------|---------------|
| Nennweite<br>[DN] | Dimension<br>[in] | DIN       |               |           |               | ANSI      |               |           |               |
|                   |                   | A<br>[mm] | A<br>[inches] | B<br>[mm] | B<br>[inches] | A<br>[mm] | A<br>[inches] | B<br>[mm] | B<br>[inches] |
| 150               | 6"                | 400       | 15,75         | 1.140     | 44,88         | 400       | 15,75         | 1.140     | 44,88         |
| 200               | 8"                | 444       | 17,48         | 1.238     | 48,74         | 444       | 17,48         | 1.228     | 48,35         |
| 250               | 10"               | 514       | 20,24         | 1.368     | 53,86         | 514       | 20,24         | 1.368     | 53,86         |

5.5 Baureihe FL – Bauform 6

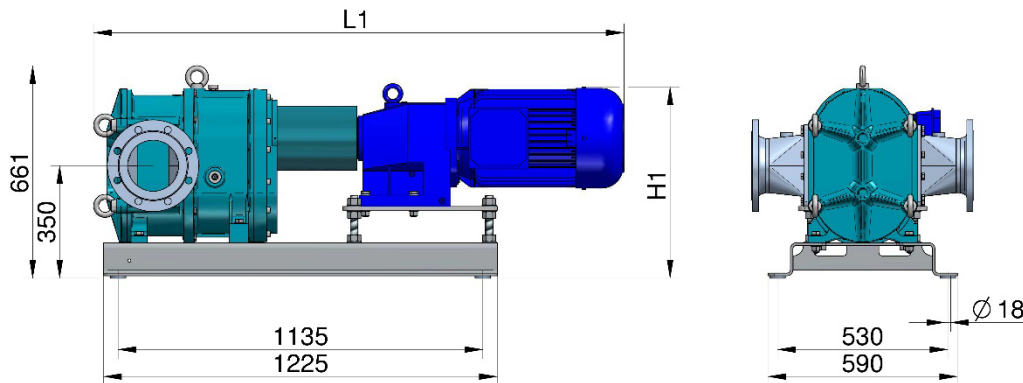


| Bauform 6      |                | FL 518 |          |       |          |       |          |       |          |
|----------------|----------------|--------|----------|-------|----------|-------|----------|-------|----------|
| Nennweite [DN] | Dimension [in] | DIN    |          |       |          | ANSI  |          |       |          |
|                |                | A      |          | B     |          | A     |          | B     |          |
|                |                | [mm]   | [inches] | [mm]  | [inches] | [mm]  | [inches] | [mm]  | [inches] |
| 100            | 4"             | 512    | 20,16    | 1.364 | 53,70    | 536   | 21,10    | 1.412 | 55,59    |
| 125            | 5"             | 546    | 21,50    | 1.432 | 56,38    | 580   | 22,83    | 1.500 | 59,06    |
| 150            | 6"             | 634    | 24,96    | 1.608 | 63,31    | 668   | 26,30    | 1.676 | 65,98    |
| 200            | 8"             | 861    | 33,90    | 2.062 | 81,18    | 901   | 35,47    | 2.142 | 84,33    |
| 250            | 10"            | 983    | 38,70    | 2.306 | 90,79    | 1.017 | 40,04    | 2.374 | 93,46    |

| Bauform 6      |                | FL 518 |          |       |          |       |          |       |          |
|----------------|----------------|--------|----------|-------|----------|-------|----------|-------|----------|
| Nennweite [DN] | Dimension [in] | DIN    |          |       |          | ANSI  |          |       |          |
|                |                | A      |          | B     |          | A     |          | B     |          |
|                |                | [mm]   | [inches] | [mm]  | [inches] | [mm]  | [inches] | [mm]  | [inches] |
| 100            | 4"             | 512    | 20,16    | 1.364 | 53,70    | 536   | 21,10    | 1.412 | 55,59    |
| 125            | 5"             | 581    | 22,87    | 1.502 | 59,13    | 615   | 24,21    | 1.570 | 61,81    |
| 150            | 6"             | 634    | 24,96    | 1.608 | 63,31    | 694   | 27,32    | 1.728 | 68,03    |
| 200            | 8"             | 761    | 29,96    | 1.862 | 73,31    | 801   | 31,54    | 1.942 | 76,46    |
| 250            | 10"            | 1.013  | 39,88    | 2.366 | 93,15    | 1.047 | 41,22    | 2.434 | 95,83    |

| Bauform 6      |                | FL 518 |          |       |          |      |          |       |          |
|----------------|----------------|--------|----------|-------|----------|------|----------|-------|----------|
| Nennweite [DN] | Dimension [in] | DIN    |          |       |          | ANSI |          |       |          |
|                |                | A      |          | B     |          | A    |          | B     |          |
|                |                | [mm]   | [inches] | [mm]  | [inches] | [mm] | [inches] | [mm]  | [inches] |
| 150            | 6"             | 684    | 26,93    | 1.708 | 67,24    | 718  | 28,27    | 1.776 | 69,92    |
| 200            | 8"             | 811    | 31,93    | 1.962 | 77,24    | 851  | 33,50    | 2.042 | 80,39    |
| 250            | 10"            | 963    | 37,91    | 2.266 | 89,21    | 997  | 39,25    | 2.334 | 91,89    |

### 5.6 Baureihe FL – Standard Aggregat Classic und Select [in mm]



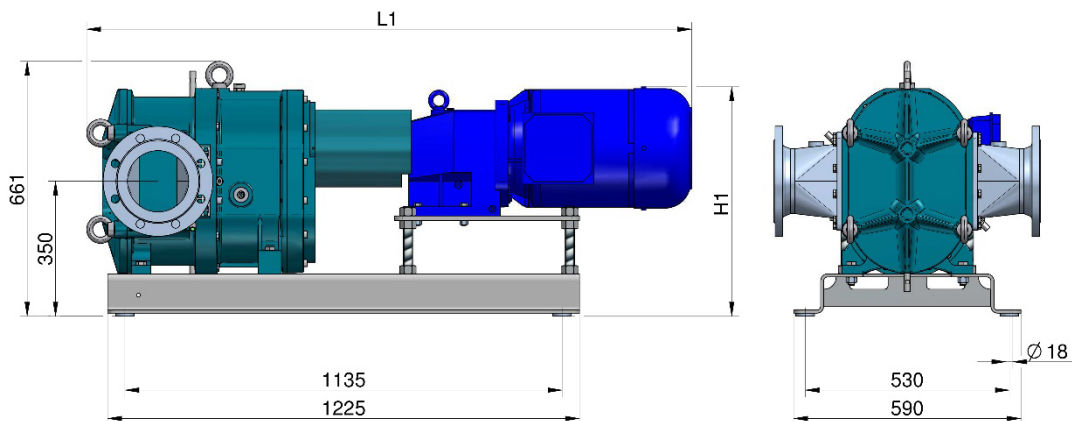
| Antrieb |       | FL 518  |          |             |          |      |          |
|---------|-------|---------|----------|-------------|----------|------|----------|
|         |       | Gewicht |          | Abmessungen |          |      |          |
|         |       | [kg]    | [lbs]    | L1          |          | H1   |          |
| [kw]    | [hp]  |         |          | [mm]        | [inches] | [mm] | [inches] |
| 4,0     | 5,36  | 433     | 954,60   | 1.463       | 57,60    | 547  | 21,54    |
| 5,5     | 7,38  | 453     | 998,69   | 1.520       | 59,84    | 547  | 21,54    |
| 7,5     | 10,06 | 465     | 1.025,15 | 1.530       | 60,24    | 574  | 22,60    |
| 9,2     | 12,34 | 479     | 1.056,01 | 1.530       | 60,24    | 574  | 22,60    |
| 11,0    | 14,75 | 506     | 1.115,54 | 1.655       | 65,16    | 574  | 22,60    |
| 15,0    | 20,12 | 570     | 1.256,63 | 1.702       | 67,01    | 602  | 23,70    |
| 18,5    | 24,81 | 584     | 1.287,50 | 1.839       | 72,40    | 602  | 23,70    |
| 22,0    | 29,50 | 672     | 1.481,50 | 1.839       | 72,40    | 602  | 23,70    |
| 30,0    | 40,23 | 705     | 1.554,26 | 1.839       | 72,40    | 602  | 23,70    |
| 37,0    | 49,62 | 836     | 1.843,06 | 1.880       | 74,02    | 665  | 26,18    |

| Antrieb |       | FL 776  |          |             |          |      |          |
|---------|-------|---------|----------|-------------|----------|------|----------|
|         |       | Gewicht |          | Abmessungen |          |      |          |
|         |       | [kg]    | [lbs]    | L1          |          | H1   |          |
| [kw]    | [hp]  |         |          | [mm]        | [inches] | [mm] | [inches] |
| 4,0     | 5,36  | 468     | 1.031,76 | 1.526       | 60,08    | 547  | 21,54    |
| 5,5     | 7,38  | 487     | 1.073,65 | 1.583       | 62,32    | 547  | 21,54    |
| 7,5     | 10,06 | 498     | 1.097,90 | 1.593       | 62,72    | 574  | 22,60    |
| 9,2     | 12,34 | 513     | 1.130,97 | 1.593       | 62,72    | 574  | 22,60    |
| 11,0    | 14,75 | 541     | 1.192,70 | 1.718       | 67,64    | 574  | 22,60    |
| 15,0    | 20,12 | 595     | 1.311,75 | 1.765       | 69,49    | 602  | 23,70    |
| 18,5    | 24,81 | 618     | 1.362,46 | 1.902       | 74,88    | 602  | 23,70    |
| 22,0    | 29,50 | 706     | 1.556,46 | 1.902       | 74,88    | 602  | 23,70    |
| 30,0    | 40,23 | 739     | 1.629,21 | 1.902       | 74,88    | 602  | 23,70    |
| 37,0    | 49,62 | 792     | 1.746,06 | 2.009       | 79,09    | 634  | 24,96    |
| 45,0    | 60,35 | 894     | 1.970,93 | 2.009       | 79,09    | 634  | 24,96    |

| Antrieb |          | FL 1036 |          |             |          |     |       |
|---------|----------|---------|----------|-------------|----------|-----|-------|
|         |          | Gewicht |          | Abmessungen |          |     |       |
|         |          | [kg]    | [lbs]    | L1          |          | H1  |       |
| [mm]    | [inches] |         |          | [mm]        | [inches] |     |       |
| [kw]    | [hp]     |         |          |             |          |     |       |
| 7,5     | 10,06    | 519     | 1.144,20 | 1.635       | 64,37    | 574 | 22,60 |
| 9,2     | 12,34    | 534     | 1.177,27 | 1.635       | 64,37    | 574 | 22,60 |
| 11,0    | 14,75    | 560     | 1.234,59 | 1.760       | 69,29    | 574 | 22,60 |
| 15,0    | 20,12    | 624     | 1.375,68 | 1.807       | 71,14    | 602 | 23,70 |
| 18,5    | 24,81    | 638     | 1.406,55 | 1.944       | 76,54    | 602 | 23,70 |
| 22,0    | 29,50    | 726     | 1.600,55 | 1.944       | 76,54    | 602 | 23,70 |
| 30,0    | 40,23    | 759     | 1.673,31 | 1.944       | 76,54    | 602 | 23,70 |
| 37,0    | 49,62    | 812     | 1.790,15 | 2.051       | 80,75    | 634 | 24,96 |
| 45,0    | 60,35    | 914     | 2.015,02 | 2.051       | 80,75    | 634 | 24,96 |

## 5.7 Baureihe FL – Standard Aggregat Protect [in mm]

### Baureihe FL – Abmessungen und Gewicht inkl. Antrieb (Protect)



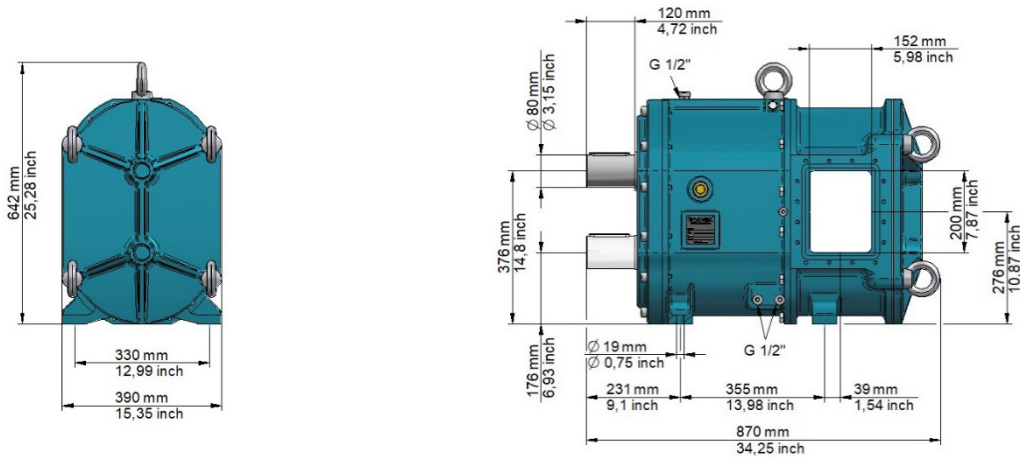
| Antrieb |       | FL 518 (Protect) |          |             |          |      |          |
|---------|-------|------------------|----------|-------------|----------|------|----------|
|         |       | Gewicht          |          | Abmessungen |          |      |          |
|         |       | [kg]             | [lbs]    | L1          |          | H1   |          |
| [kw]    | [hp]  |                  |          | [mm]        | [inches] | [mm] | [inches] |
| 4,0     | 5,36  | 438              | 965,62   | 1.490       | 58,66    | 547  | 21,54    |
| 5,5     | 7,38  | 458              | 1.009,72 | 1.550       | 61,02    | 547  | 21,54    |
| 7,5     | 10,06 | 468              | 1.031,76 | 1.560       | 61,42    | 574  | 22,60    |
| 9,2     | 12,34 | 484              | 1.067,04 | 1.560       | 61,42    | 574  | 22,60    |
| 11,0    | 14,75 | 511              | 1.126,56 | 1.685       | 66,34    | 574  | 22,60    |
| 15,0    | 20,12 | 575              | 1.267,66 | 1.730       | 68,11    | 602  | 23,70    |
| 18,5    | 24,81 | 589              | 1.298,52 | 1.865       | 73,43    | 602  | 23,70    |
| 22,0    | 29,50 | 677              | 1.492,53 | 1.865       | 73,43    | 602  | 23,70    |
| 30,0    | 40,23 | 710              | 1.565,28 | 1.865       | 73,43    | 602  | 23,70    |
| 37,0    | 49,62 | 841              | 1.854,09 | 1.910       | 75,20    | 665  | 26,18    |

| Antrieb |       | FL 776 (Protect) |          |             |          |      |          |
|---------|-------|------------------|----------|-------------|----------|------|----------|
|         |       | Gewicht          |          | Abmessungen |          |      |          |
|         |       | [kg]             | [lbs]    | L1          |          | H1   |          |
| [kw]    | [hp]  |                  |          | [mm]        | [inches] | [mm] | [inches] |
| 4,0     | 5,36  | 473              | 1.042,79 | 1.555       | 61,22    | 547  | 21,54    |
| 5,5     | 7,38  | 492              | 1.084,67 | 1.610       | 63,39    | 547  | 21,54    |
| 7,5     | 10,06 | 503              | 1.108,92 | 1.620       | 63,78    | 574  | 22,60    |
| 9,2     | 12,34 | 518              | 1.141,99 | 1.620       | 63,78    | 574  | 22,60    |
| 11,0    | 14,75 | 546              | 1.203,72 | 1.745       | 68,70    | 574  | 22,60    |
| 15,0    | 20,12 | 600              | 1.322,77 | 1.795       | 70,67    | 602  | 23,70    |
| 18,5    | 24,81 | 623              | 1.373,48 | 1.930       | 75,98    | 602  | 23,70    |
| 22,0    | 29,50 | 711              | 1.567,48 | 1.930       | 75,98    | 602  | 23,70    |
| 30,0    | 40,23 | 744              | 1.640,24 | 1.930       | 75,98    | 602  | 23,70    |
| 37,0    | 49,62 | 797              | 1.757,08 | 2.035       | 80,12    | 634  | 24,96    |
| 45,0    | 60,35 | 894              | 1.970,93 | 2.035       | 80,12    | 634  | 24,96    |

## 6.0 Baureihe EL

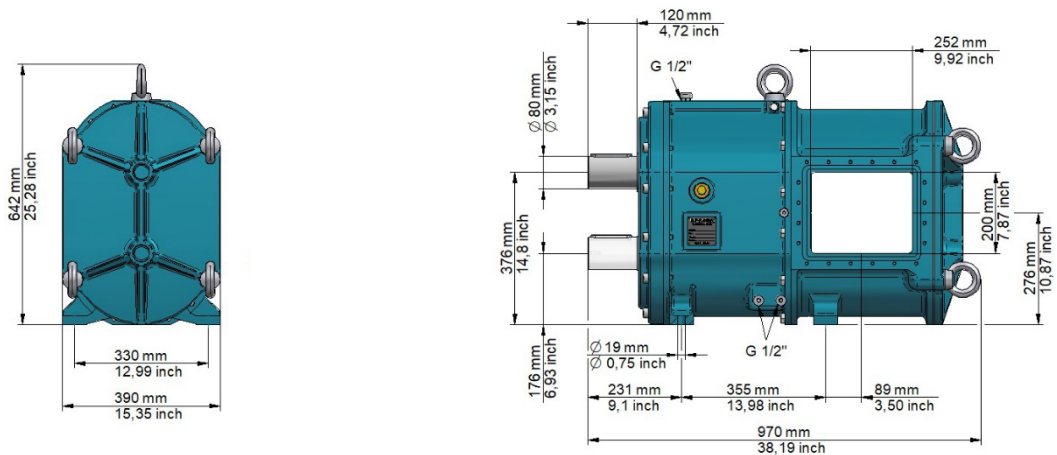
### 6.1 Baureihe EL – Detailmaße

#### EL 1000 – Abmessungen Pumpe [in mm / inch]



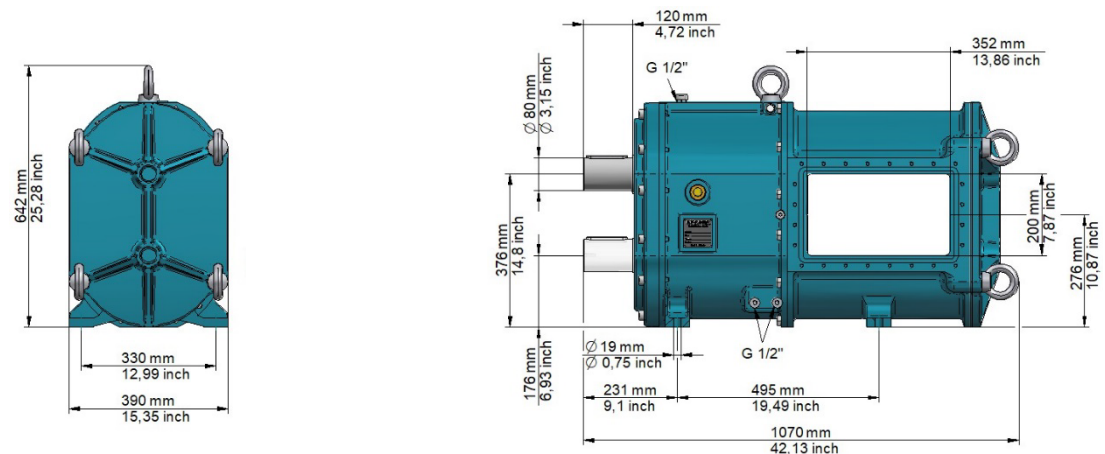
Gewicht: 461 kg (1.016 lbs)

#### EL 1550 – Abmessungen Pumpe [in mm / inch]



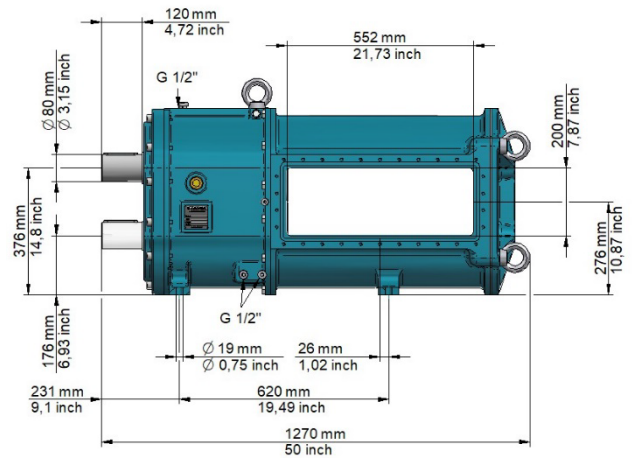
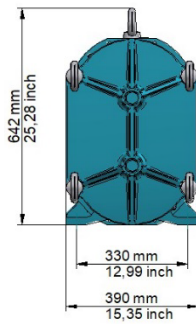
Gewicht: 520 kg (1.146 lbs)

#### EL 2250 – Abmessungen Pumpe [in mm / inch]



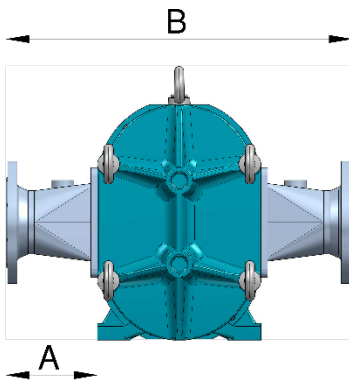
Gewicht: 580 kg (1.279 lbs)

EL 3050 – Abmessungen Pumpe [in mm / inch]



Gewicht: 720 kg (1.587 lbs)

## 6.2 Baureihe EL – Bauform 1



| Baupform 1        |                   | EL 1000   |               |           |               |           |               |           |               |
|-------------------|-------------------|-----------|---------------|-----------|---------------|-----------|---------------|-----------|---------------|
| Nennweite<br>[DN] | Dimension<br>[in] | DIN       |               |           |               | ANSI      |               |           |               |
|                   |                   | A<br>[mm] | A<br>[inches] | B<br>[mm] | B<br>[inches] | A<br>[mm] | A<br>[inches] | B<br>[mm] | B<br>[inches] |
| 150               | 6"                | 217       | 8,54          | 824       | 32,44         | 251       | 9,88          | 892       | 35,12         |
| 200               | 8"                | 270       | 10,63         | 930       | 36,61         | 310       | 12,20         | 1.010     | 39,76         |
| 250               | 10"               | 423       | 16,65         | 1.236     | 48,66         | 457       | 17,99         | 1.304     | 51,34         |
| 300               | 12"               | 308       | 12,13         | 1.006     | 39,61         | 354       | 13,94         | 1.098     | 43,23         |
| 350               | 14"               | 348       | 13,70         | 1.086     | 42,76         | a. A.     | a. A.         | a. A.     | a. A.         |
| 400               | 16"               | a. A.     | a. A.         | a. A.     | a. A.         | a. A.     | a. A.         | a. A.     | a. A.         |
| 450               | 18"               | a. A.     | a. A.         | a. A.     | a. A.         | a. A.     | a. A.         | a. A.     | a. A.         |

| Baupform 1        |                   | EL 1550   |               |           |               |           |               |           |               |
|-------------------|-------------------|-----------|---------------|-----------|---------------|-----------|---------------|-----------|---------------|
| Nennweite<br>[DN] | Dimension<br>[in] | DIN       |               |           |               | ANSI      |               |           |               |
|                   |                   | A<br>[mm] | A<br>[inches] | B<br>[mm] | B<br>[inches] | A<br>[mm] | A<br>[inches] | B<br>[mm] | B<br>[inches] |
| 150               | 6"                | 305       | 12,01         | 1.000     | 39,37         | 339       | 13,35         | 1.068     | 42,05         |
| 200               | 8"                | 251       | 9,88          | 892       | 35,12         | 291       | 11,46         | 972       | 38,27         |
| 250               | 10"               | 221       | 8,70          | 832       | 32,76         | 255       | 10,04         | 900       | 35,43         |
| 300               | 12"               | 235       | 9,25          | 860       | 33,86         | 281       | 11,06         | 952       | 37,48         |
| 350               | 14"               | 270       | 10,63         | 930       | 36,61         | 329       | 12,95         | 1.048     | 41,26         |
| 400               | 16"               | 359       | 14,13         | 1.108     | 43,62         | 414       | 16,30         | 1.218     | 47,95         |
| 450               | 18"               | a. A.     | a. A.         | a. A.     | a. A.         | a. A.     | a. A.         | a. A.     | a. A.         |
| 500               | 20"               | a. A.     | a. A.         | a. A.     | a. A.         | a. A.     | a. A.         | a. A.     | a. A.         |

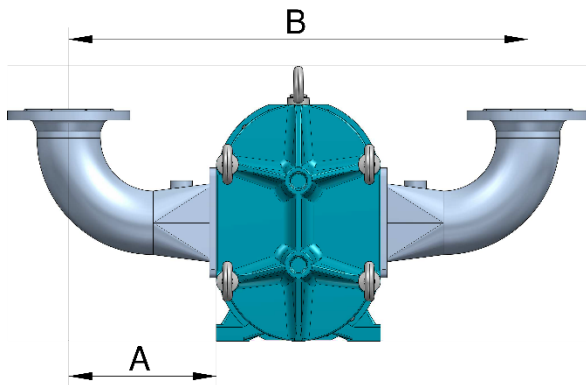
| Baupform 1        |                   | EL 2250   |               |           |               |           |               |           |               |
|-------------------|-------------------|-----------|---------------|-----------|---------------|-----------|---------------|-----------|---------------|
| Nennweite<br>[DN] | Dimension<br>[in] | DIN       |               |           |               | ANSI      |               |           |               |
|                   |                   | A<br>[mm] | A<br>[inches] | B<br>[mm] | B<br>[inches] | A<br>[mm] | A<br>[inches] | B<br>[mm] | B<br>[inches] |
| 200               | 8"                | 321       | 12,64         | 1.032     | 40,63         | 361       | 14,21         | 1.112     | 43,78         |
| 250               | 10"               | 306       | 12,05         | 1.002     | 39,45         | 340       | 13,39         | 1.070     | 42,13         |
| 300               | 12"               | 296       | 11,65         | 982       | 38,66         | 342       | 13,46         | 1.074     | 42,28         |
| 350               | 14"               | 325       | 12,80         | 1.040     | 40,94         | 384       | 15,12         | 1.158     | 45,59         |
| 400               | 16"               | 385       | 15,16         | 1.160     | 45,67         | 440       | 17,32         | 1.270     | 50,00         |
| 450               | 18"               | a. A.     | a. A.         | a. A.     | a. A.         | a. A.     | a. A.         | a. A.     | a. A.         |
| 500               | 20"               | a. A.     | a. A.         | a. A.     | a. A.         | a. A.     | a. A.         | a. A.     | a. A.         |

\*a. A. = auf Anfrage

| Bauform 1         |                   | EL 3050   |               |           |               |           |               |           |               |
|-------------------|-------------------|-----------|---------------|-----------|---------------|-----------|---------------|-----------|---------------|
| Nennweite<br>[DN] | Dimension<br>[in] | DIN       |               |           |               | ANSI      |               |           |               |
|                   |                   | A<br>[mm] | A<br>[inches] | B<br>[mm] | B<br>[inches] | A<br>[mm] | A<br>[inches] | B<br>[mm] | B<br>[inches] |
| 250               | 10"               | a. A.     | a. A.         | a. A.     | a. A.         | a. A.     | a. A.         | a. A.     | a. A.         |
| 300               | 12"               | a. A.     | a. A.         | a. A.     | a. A.         | 521       | 20,51         | 1.432     | 56,38         |
| 350               | 14"               | 491       | 19,33         | 1.372     | 54,02         | a. A.     | a. A.         | a. A.     | a. A.         |
| 400               | 16"               | 400       | 15,75         | 1.190     | 46,85         | 455       | 17,91         | 1.300     | 51,18         |
| 450               | 18"               | 458       | 18,03         | 1.306     | 51,42         | a. A.     | a. A.         | a. A.     | a. A.         |
| 500               | 20"               | 498       | 19,61         | 1.386     | 54,57         | 568       | 22,36         | 1.526     | 60,08         |

\*a. A. = auf Anfrage

### 6.3 Baureihe EL – Bauform 2 und 3



| Baupform 2 & 3    |                   | EL 1000 |          |       |          |       |          |       |          |
|-------------------|-------------------|---------|----------|-------|----------|-------|----------|-------|----------|
| Nennweite<br>[DN] | Dimension<br>[in] | DIN     |          |       |          | ANSI  |          |       |          |
|                   |                   | A       |          | B     |          | A     |          | B     |          |
|                   |                   | [mm]    | [inches] | [mm]  | [inches] | [mm]  | [inches] | [mm]  | [inches] |
| 150               | 6"                | 391     | 15,39    | 1.172 | 46,14    | a. A. | a. A.    | a. A. | a. A.    |
| 200               | 8"                | 512     | 20,16    | 1.414 | 55,67    | a. A. | a. A.    | a. A. | a. A.    |
| 250               | 10"               | 737     | 29,02    | 1.864 | 73,39    | a. A. | a. A.    | a. A. | a. A.    |
| 300               | 12"               | 697     | 27,44    | 1.784 | 70,24    | a. A. | a. A.    | a. A. | a. A.    |
| 350               | 14"               | a. A.   | a. A.    | a. A. | a. A.    | a. A. | a. A.    | a. A. | a. A.    |

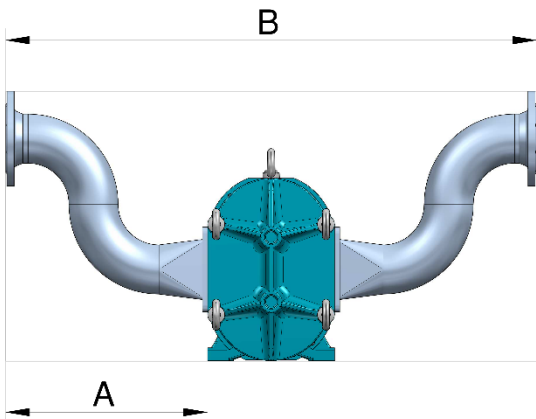
| Baupform 2 & 3    |                   | EL 1550 |          |       |          |      |          |       |          |
|-------------------|-------------------|---------|----------|-------|----------|------|----------|-------|----------|
| Nennweite<br>[DN] | Dimension<br>[in] | DIN     |          |       |          | ANSI |          |       |          |
|                   |                   | A       |          | B     |          | A    |          | B     |          |
|                   |                   | [mm]    | [inches] | [mm]  | [inches] | [mm] | [inches] | [mm]  | [inches] |
| 150               | 6"                | 494     | 19,45    | 1.378 | 54,25    | 494  | 19,45    | 1.378 | 54,25    |
| 200               | 8"                | 494     | 19,45    | 1.378 | 54,25    | 494  | 19,45    | 1.378 | 54,25    |
| 250               | 10"               | 534     | 21,02    | 1.458 | 57,40    | 534  | 21,02    | 1.458 | 57,40    |
| 300               | 12"               | 624     | 24,57    | 1.638 | 64,49    | 624  | 24,57    | 1.638 | 64,49    |
| 350               | 14"               | 735     | 28,94    | 1.860 | 73,23    | 735  | 28,94    | 1.860 | 73,23    |

| Baupform 2 & 3    |                   | EL 2250 |          |       |          |       |          |       |          |
|-------------------|-------------------|---------|----------|-------|----------|-------|----------|-------|----------|
| Nennweite<br>[DN] | Dimension<br>[in] | DIN     |          |       |          | ANSI  |          |       |          |
|                   |                   | A       |          | B     |          | A     |          | B     |          |
|                   |                   | [mm]    | [inches] | [mm]  | [inches] | [mm]  | [inches] | [mm]  | [inches] |
| 300               | 12"               | a. A.   | a. A.    | a. A. | a. A.    | a. A. | a. A.    | a. A. | a. A.    |
| 350               | 14"               | a. A.   | a. A.    | a. A. | a. A.    | a. A. | a. A.    | a. A. | a. A.    |

| Baupform 2 & 3    |                   | EL 3050 |          |       |          |       |          |       |          |
|-------------------|-------------------|---------|----------|-------|----------|-------|----------|-------|----------|
| Nennweite<br>[DN] | Dimension<br>[in] | DIN     |          |       |          | ANSI  |          |       |          |
|                   |                   | A       |          | B     |          | A     |          | B     |          |
|                   |                   | [mm]    | [inches] | [mm]  | [inches] | [mm]  | [inches] | [mm]  | [inches] |
| 250               | 10"               | a. A.   | a. A.    | a. A. | a. A.    | a. A. | a. A.    | a. A. | a. A.    |
| 300               | 12"               | a. A.   | a. A.    | a. A. | a. A.    | a. A. | a. A.    | a. A. | a. A.    |
| 350               | 14"               | a. A.   | a. A.    | a. A. | a. A.    | a. A. | a. A.    | a. A. | a. A.    |

\*a. A. = auf Anfrage

6.4 Baureihe EL – Bauform 6



| Bauform 6      |                | EL 1000 |          |       |          |       |          |       |          |
|----------------|----------------|---------|----------|-------|----------|-------|----------|-------|----------|
| Nennweite [DN] | Dimension [in] | DIN     |          |       |          | ANSI  |          |       |          |
|                |                | A       |          | B     |          | A     |          | B     |          |
|                |                | [mm]    | [inches] | [mm]  | [inches] | [mm]  | [inches] | [mm]  | [inches] |
| 200            | 8"             | a. A.   | a. A.    | a. A. | a. A.    | a. A. | a. A.    | a. A. | a. A.    |
| 250            | 10"            | a. A.   | a. A.    | a. A. | a. A.    | a. A. | a. A.    | a. A. | a. A.    |
| 300            | 12"            | a. A.   | a. A.    | a. A. | a. A.    | a. A. | a. A.    | a. A. | a. A.    |
| 350            | 14"            | a. A.   | a. A.    | a. A. | a. A.    | a. A. | a. A.    | a. A. | a. A.    |
| 400            | 16"            | a. A.   | a. A.    | a. A. | a. A.    | a. A. | a. A.    | a. A. | a. A.    |

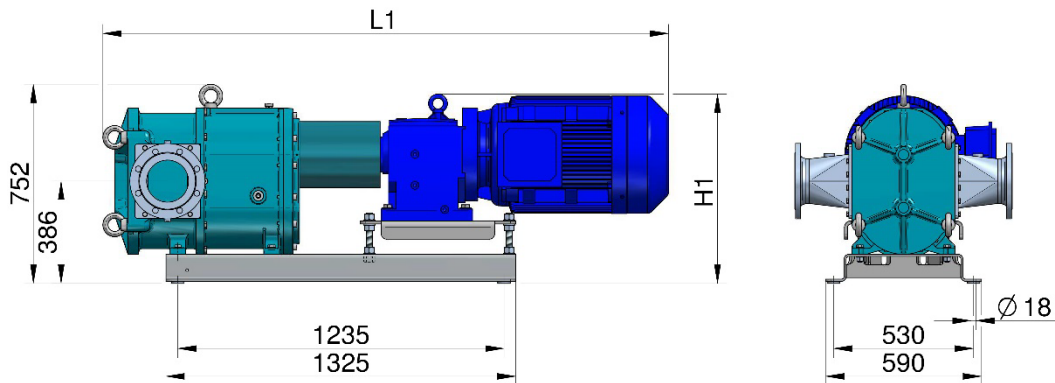
| Bauform 6      |                | EL 1550 |          |       |          |       |          |       |          |
|----------------|----------------|---------|----------|-------|----------|-------|----------|-------|----------|
| Nennweite [DN] | Dimension [in] | DIN     |          |       |          | ANSI  |          |       |          |
|                |                | A       |          | B     |          | A     |          | B     |          |
|                |                | [mm]    | [inches] | [mm]  | [inches] | [mm]  | [inches] | [mm]  | [inches] |
| 200            | 8"             | 861     | 33,90    | 2.112 | 83,15    | 901   | 35,47    | 2.192 | 86,30    |
| 250            | 10"            | 983     | 38,70    | 2.356 | 92,76    | 1.017 | 40,04    | 2.424 | 95,43    |
| 300            | 12"            | 1.149   | 45,24    | 2.688 | 105,83   | 1.195 | 47,05    | 2.640 | 103,94   |
| 350            | 14"            | 1.336   | 52,60    | 2.922 | 115,04   | 1.395 | 54,92    | 3.180 | 125,20   |
| 400            | 16"            | 1.579   | 62,17    | 3.548 | 139,68   | 1.634 | 64,33    | 3.658 | 144,02   |

| Bauform 6      |                | EL 2250 |          |       |          |       |          |       |          |
|----------------|----------------|---------|----------|-------|----------|-------|----------|-------|----------|
| Nennweite [DN] | Dimension [in] | DIN     |          |       |          | ANSI  |          |       |          |
|                |                | A       |          | B     |          | A     |          | B     |          |
|                |                | [mm]    | [inches] | [mm]  | [inches] | [mm]  | [inches] | [mm]  | [inches] |
| 200            | 8"             | 931     | 36,65    | 2.252 | 88,66    | —     | —        | —     | —        |
| 250            | 10"            | 1.070   | 42,13    | 2.530 | 99,61    | —     | —        | —     | —        |
| 300            | 12"            | 1.210   | 47,64    | 2.810 | 110,63   | 1.256 | 49,45    | 2.762 | 108,74   |
| 350            | 14"            | 1.391   | 54,76    | 3.032 | 119,37   | 1.450 | 57,09    | 3.290 | 129,53   |
| 400            | 16"            | 1.605   | 63,19    | 3.600 | 141,73   | 1.660 | 65,35    | 3.710 | 146,06   |

| Bauform 6      |                | EL 3050 |          |       |          |       |          |       |          |
|----------------|----------------|---------|----------|-------|----------|-------|----------|-------|----------|
| Nennweite [DN] | Dimension [in] | DIN     |          |       |          | ANSI  |          |       |          |
|                |                | A       |          | B     |          | A     |          | B     |          |
|                |                | [mm]    | [inches] | [mm]  | [inches] | [mm]  | [inches] | [mm]  | [inches] |
| 200            | 8"             | 931     | 36,65    | 2.252 | 88,66    | —     | —        | —     | —        |
| 250            | 10"            | 1.070   | 42,13    | 2.530 | 99,61    | —     | —        | —     | —        |
| 300            | 12"            | 1.210   | 47,64    | 2.810 | 110,63   | 1.256 | 49,45    | 2.762 | 108,74   |
| 350            | 14"            | 1.391   | 54,76    | 3.032 | 119,37   | 1.450 | 57,09    | 3.290 | 129,53   |
| 400            | 16"            | 1.605   | 63,19    | 3.600 | 141,73   | 1.660 | 65,35    | 3.710 | 146,06   |

\*a. A. = auf Anfrage

6.5 Baureihe EL – Standard Aggregat [in mm]



| Antrieb |       | EL 1000 (Classic & Select) |          |             |          |       |          |
|---------|-------|----------------------------|----------|-------------|----------|-------|----------|
|         |       | Gewicht                    |          | Abmessungen |          |       |          |
|         |       | [kg]                       | [lbs]    | L1          |          | H1    |          |
| [kw]    | [hp]  |                            |          | [mm]        | [inches] | [mm]  | [inches] |
| 15,0    | 20,12 | a. A.                      | a. A.    | a. A.       | a. A.    | a. A. | a. A.    |
| 18,5    | 24,81 | a. A.                      | a. A.    | a. A.       | a. A.    | a. A. | a. A.    |
| 22,0    | 29,50 | a. A.                      | a. A.    | a. A.       | a. A.    | a. A. | a. A.    |
| 30,0    | 40,23 | a. A.                      | a. A.    | a. A.       | a. A.    | a. A. | a. A.    |
| 37,0    | 49,62 | 1.095                      | 2.414,06 | 2.070       | 81,50    | 710   | 27,95    |
| 45,0    | 60,35 | a. A.                      | a. A.    | a. A.       | a. A.    | a. A. | a. A.    |

| Antrieb |       | EL 1550 (Classic & Select) |          |             |          |      |          |
|---------|-------|----------------------------|----------|-------------|----------|------|----------|
|         |       | Gewicht                    |          | Abmessungen |          |      |          |
|         |       | [kg]                       | [lbs]    | L1          |          | H1   |          |
| [kw]    | [hp]  |                            |          | [mm]        | [inches] | [mm] | [inches] |
| 15,0    | 20,12 | 859                        | 1.893,77 | 1.950       | 76,77    | 655  | 25,79    |
| 18,5    | 24,81 | 873                        | 1.924,63 | 1.950       | 76,77    | 655  | 25,79    |
| 22,0    | 29,50 | 962                        | 2.120,84 | 2.045       | 80,51    | 665  | 26,18    |
| 30,0    | 40,23 | 995                        | 2.193,60 | 2.190       | 86,22    | 685  | 26,97    |
| 37,0    | 49,62 | 1.027                      | 2.264,14 | 2.250       | 88,58    | 695  | 27,36    |
| 45,0    | 60,35 | 1.130                      | 2.491,22 | 2.403       | 94,61    | 705  | 27,76    |

| Antrieb |       | EL 2250 (Classic & Select) |       |             |          |      |          |
|---------|-------|----------------------------|-------|-------------|----------|------|----------|
|         |       | Gewicht                    |       | Abmessungen |          |      |          |
|         |       | [kg]                       | [lbs] | L1          |          | H1   |          |
| [kw]    | [hp]  |                            |       | [mm]        | [inches] | [mm] | [inches] |
| 15,0    | 20,12 | a. A.                      | a. A. | 2.050       | 80,71    | 655  | 25,79    |
| 18,5    | 24,81 | a. A.                      | a. A. | 2.050       | 80,71    | 655  | 25,79    |
| 22,0    | 29,50 | a. A.                      | a. A. | 2.145       | 84,45    | 665  | 26,18    |
| 30,0    | 40,23 | a. A.                      | a. A. | 2.290       | 90,16    | 685  | 26,97    |
| 37,0    | 49,62 | a. A.                      | a. A. | 2.350       | 92,52    | 695  | 27,36    |
| 45,0    | 60,35 | a. A.                      | a. A. | 2.503       | 98,54    | 705  | 27,76    |

\*a. A. = auf Anfrage

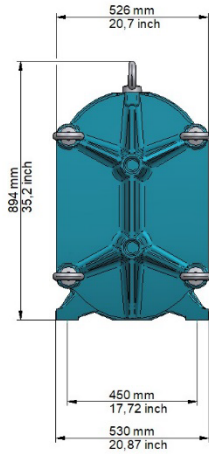
| Antrieb |          | EL 3050 (Classic & Select) |       |             |          |       |       |
|---------|----------|----------------------------|-------|-------------|----------|-------|-------|
|         |          | Gewicht                    |       | Abmessungen |          |       |       |
|         |          | [kg]                       | [lbs] | L1          |          | H1    |       |
| [mm]    | [inches] |                            |       | [mm]        | [inches] |       |       |
| [kw]    | [hp]     |                            |       |             |          |       |       |
| 15,0    | 20,12    | a. A.                      | a. A. | a. A.       | a. A.    | a. A. | a. A. |
| 18,5    | 24,81    | a. A.                      | a. A. | a. A.       | a. A.    | a. A. | a. A. |
| 22,0    | 29,50    | a. A.                      | a. A. | a. A.       | a. A.    | a. A. | a. A. |
| 30,0    | 40,23    | a. A.                      | a. A. | a. A.       | a. A.    | a. A. | a. A. |
| 37,0    | 49,62    | a. A.                      | a. A. | a. A.       | a. A.    | a. A. | a. A. |
| 45,0    | 60,35    | a. A.                      | a. A. | 2.550       | 100,39   | 710   | 27,95 |

\*a. A. = auf Anfrage

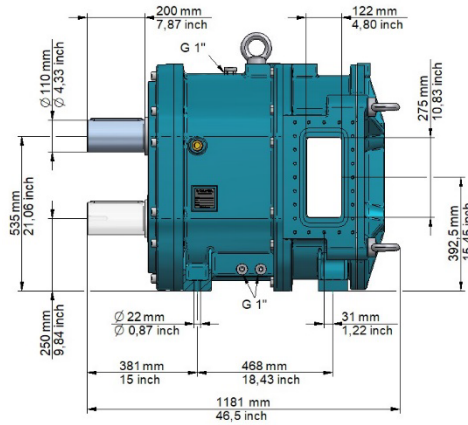
## 7.0 Baureihe XL

### 7.1 Baureihe XL – Detailmaße

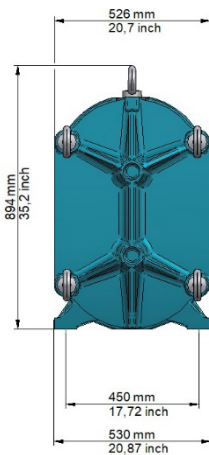
#### XL 1760 – Abmessungen Pumpe [in mm / inch]



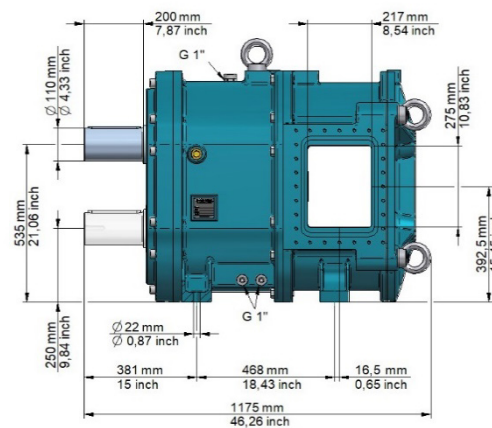
Gewicht: 1.244 kg (2.743 lbs)



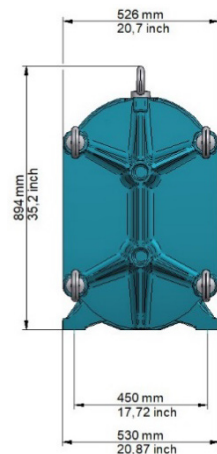
#### XL 2650 – Abmessungen Pumpe [in mm / inch]



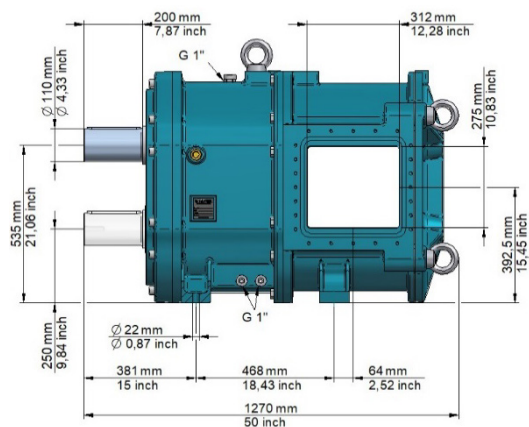
Gewicht: 1.344 kg (2.963 lbs)



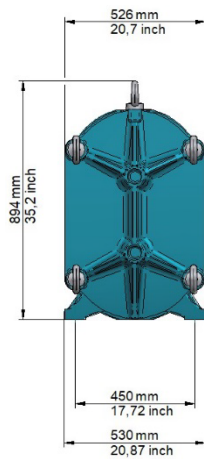
#### XL 3530 – Abmessungen Pumpe [in mm / inch]



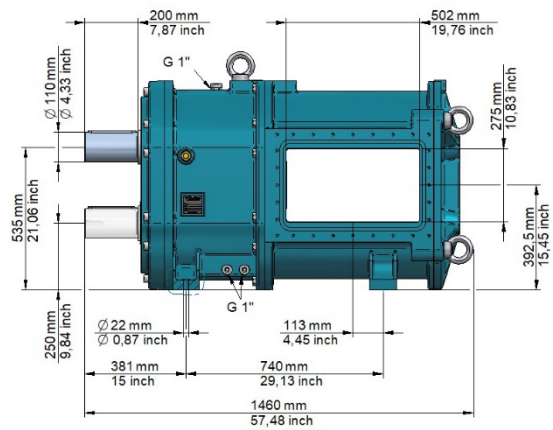
Gewicht: 1.444 kg (3.183 lbs)



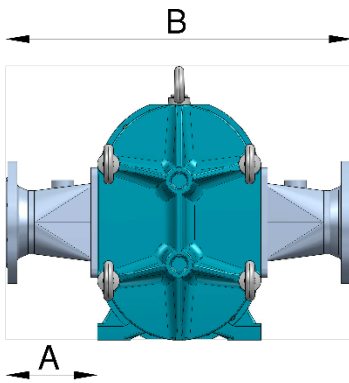
**XL 5350 – Abmessungen Pumpe [in mm / inch]**



Gewicht: 1.550 kg (3.417 lbs)



## 7.2 Baureihe XL – Bauform 1



| Bauform 1         |                   | XL 1760   |               |           |               |           |               |           |               |
|-------------------|-------------------|-----------|---------------|-----------|---------------|-----------|---------------|-----------|---------------|
| Nennweite<br>[DN] | Dimension<br>[in] | DIN       |               |           |               | ANSI      |               |           |               |
|                   |                   | A<br>[mm] | A<br>[inches] | B<br>[mm] | B<br>[inches] | A<br>[mm] | A<br>[inches] | B<br>[mm] | B<br>[inches] |
| 200               | 8"                | 262       | 10,31         | 1.050     | 41,34         | 302       | 11,89         | 1.130     | 44,49         |
| 250               | 10"               | 270       | 10,63         | 1.066     | 41,97         | 304       | 11,97         | 1.134     | 44,65         |
| 300               | 12"               | 362       | 14,25         | 1.250     | 49,21         | 408       | 16,06         | 1.342     | 52,83         |
| 350               | 14"               | 362       | 14,25         | 1.250     | 49,21         | 421       | 16,57         | 1.368     | 53,86         |

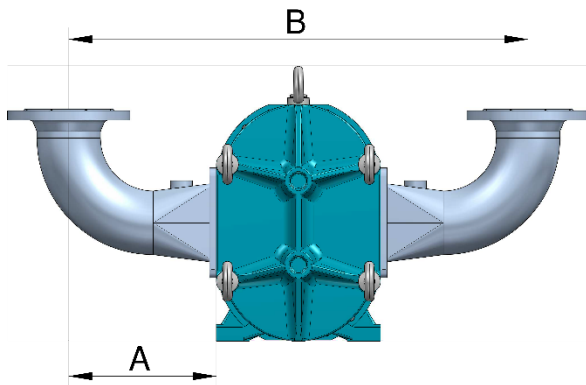
| Bauform 1         |                   | XL 2650   |               |           |               |           |               |           |               |
|-------------------|-------------------|-----------|---------------|-----------|---------------|-----------|---------------|-----------|---------------|
| Nennweite<br>[DN] | Dimension<br>[in] | DIN       |               |           |               | ANSI      |               |           |               |
|                   |                   | A<br>[mm] | A<br>[inches] | B<br>[mm] | B<br>[inches] | A<br>[mm] | A<br>[inches] | B<br>[mm] | B<br>[inches] |
| 200               | 8"                | 236       | 9,29          | 998       | 39,29         | 276       | 10,87         | 1.078     | 42,44         |
| 250               | 10"               | 240       | 9,45          | 1.006     | 39,61         | 274       | 10,79         | 1.074     | 42,28         |
| 300               | 12"               | 270       | 10,63         | 1.066     | 41,97         | 316       | 12,44         | 1.158     | 45,59         |
| 350               | 14"               | 345       | 13,58         | 1.216     | 47,87         | 404       | 15,91         | 1.334     | 52,52         |

| Bauform 1         |                   | XL 3530   |               |           |               |           |               |           |               |
|-------------------|-------------------|-----------|---------------|-----------|---------------|-----------|---------------|-----------|---------------|
| Nennweite<br>[DN] | Dimension<br>[in] | DIN       |               |           |               | ANSI      |               |           |               |
|                   |                   | A<br>[mm] | A<br>[inches] | B<br>[mm] | B<br>[inches] | A<br>[mm] | A<br>[inches] | B<br>[mm] | B<br>[inches] |
| 300               | 12"               | 200       | 7,87          | 926       | 36,46         | 246       | 9,69          | 1.018     | 40,08         |
| 350               | 14"               | 230       | 9,06          | 986       | 38,82         | 289       | 11,38         | 1.104     | 43,46         |
| 400               | 16"               | 290       | 11,42         | 1.106     | 43,54         | 345       | 13,58         | 1.216     | 47,87         |
| 450               | 18"               | —         | —             | —         | —             | 358       | 14,09         | 1.242     | 48,90         |
| 500               | 20"               | 290       | 11,42         | 1.106     | 43,54         | 360       | 14,17         | 1.246     | 49,06         |

| Bauform 1         |                   | XL 5350   |               |           |               |           |               |           |               |
|-------------------|-------------------|-----------|---------------|-----------|---------------|-----------|---------------|-----------|---------------|
| Nennweite<br>[DN] | Dimension<br>[in] | DIN       |               |           |               | ANSI      |               |           |               |
|                   |                   | A<br>[mm] | A<br>[inches] | B<br>[mm] | B<br>[inches] | A<br>[mm] | A<br>[inches] | B<br>[mm] | B<br>[inches] |
| 250               | 10"               | a. A.     | a. A.         | a. A.     | a. A.         | a. A.     | a. A.         | a. A.     | a. A.         |
| 300               | 12"               | a. A.     | a. A.         | a. A.     | a. A.         | a. A.     | a. A.         | a. A.     | a. A.         |
| 350               | 14"               | a. A.     | a. A.         | a. A.     | a. A.         | a. A.     | a. A.         | a. A.     | a. A.         |
| 400               | 16"               | a. A.     | a. A.         | a. A.     | a. A.         | a. A.     | a. A.         | a. A.     | a. A.         |
| 450               | 18"               | a. A.     | a. A.         | a. A.     | a. A.         | a. A.     | a. A.         | a. A.     | a. A.         |
| 500               | 20"               | a. A.     | a. A.         | a. A.     | a. A.         | a. A.     | a. A.         | a. A.     | a. A.         |

\*a. A. = auf Anfrage

7.3 Baureihe XL – Bauform 2 und 3



| Baupform 2 & 3    |                   | XL 1760 |          |       |          |       |          |       |          |
|-------------------|-------------------|---------|----------|-------|----------|-------|----------|-------|----------|
| Nennweite<br>[DN] | Dimension<br>[in] | DIN     |          |       |          | ANSI  |          |       |          |
|                   |                   | A       |          | B     |          | A     |          | B     |          |
|                   |                   | [mm]    | [inches] | [mm]  | [inches] | [mm]  | [inches] | [mm]  | [inches] |
| 300               | 12"               | a. A.   | a. A.    | a. A. | a. A.    | a. A. | a. A.    | a. A. | a. A.    |
| 350               | 14"               | a. A.   | a. A.    | a. A. | a. A.    | a. A. | a. A.    | a. A. | a. A.    |
| 400               | 16"               | a. A.   | a. A.    | a. A. | a. A.    | a. A. | a. A.    | a. A. | a. A.    |
| 500               | 20"               | a. A.   | a. A.    | a. A. | a. A.    | a. A. | a. A.    | a. A. | a. A.    |

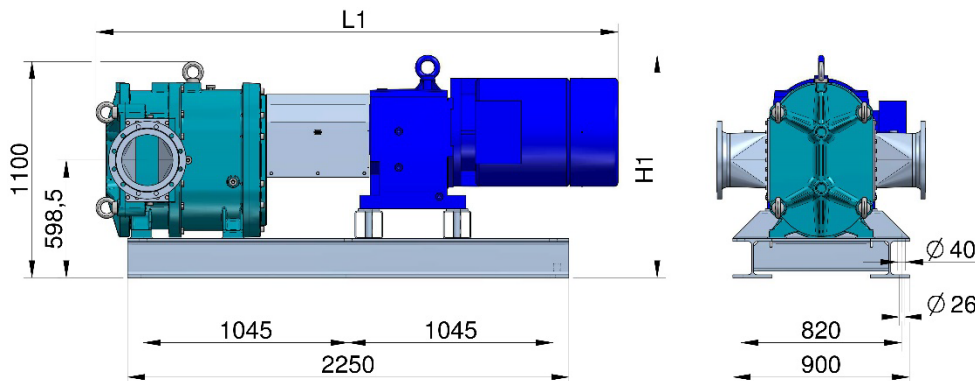
| Baupform 2 & 3    |                   | XL 2650 |          |       |          |       |          |       |          |
|-------------------|-------------------|---------|----------|-------|----------|-------|----------|-------|----------|
| Nennweite<br>[DN] | Dimension<br>[in] | DIN     |          |       |          | ANSI  |          |       |          |
|                   |                   | A       |          | B     |          | A     |          | B     |          |
|                   |                   | [mm]    | [inches] | [mm]  | [inches] | [mm]  | [inches] | [mm]  | [inches] |
| 300               | 12"               | a. A.   | a. A.    | a. A. | a. A.    | a. A. | a. A.    | a. A. | a. A.    |
| 350               | 14"               | a. A.   | a. A.    | a. A. | a. A.    | a. A. | a. A.    | a. A. | a. A.    |
| 400               | 16"               | a. A.   | a. A.    | a. A. | a. A.    | a. A. | a. A.    | a. A. | a. A.    |
| 500               | 20"               | a. A.   | a. A.    | a. A. | a. A.    | a. A. | a. A.    | a. A. | a. A.    |

| Baupform 2 & 3    |                   | XL 3530 |          |       |          |       |          |       |          |
|-------------------|-------------------|---------|----------|-------|----------|-------|----------|-------|----------|
| Nennweite<br>[DN] | Dimension<br>[in] | DIN     |          |       |          | ANSI  |          |       |          |
|                   |                   | A       |          | B     |          | A     |          | B     |          |
|                   |                   | [mm]    | [inches] | [mm]  | [inches] | [mm]  | [inches] | [mm]  | [inches] |
| 300               | 12"               | 589     | 23,19    | 1.704 | 67,09    | a. A. | a. A.    | a. A. | a. A.    |
| 350               | 14"               | 695     | 27,36    | 1.916 | 75,43    | a. A. | a. A.    | a. A. | a. A.    |
| 400               | 16"               | 828     | 32,60    | 2.182 | 85,91    | a. A. | a. A.    | a. A. | a. A.    |
| 500               | 20"               | 977     | 38,46    | 2.480 | 97,64    | a. A. | a. A.    | a. A. | a. A.    |

| Baupform 2 & 3    |                   | XL 5350 |          |       |          |       |          |       |          |
|-------------------|-------------------|---------|----------|-------|----------|-------|----------|-------|----------|
| Nennweite<br>[DN] | Dimension<br>[in] | DIN     |          |       |          | ANSI  |          |       |          |
|                   |                   | A       |          | B     |          | A     |          | B     |          |
|                   |                   | [mm]    | [inches] | [mm]  | [inches] | [mm]  | [inches] | [mm]  | [inches] |
| 300               | 12"               | a. A.   | a. A.    | a. A. | a. A.    | a. A. | a. A.    | a. A. | a. A.    |
| 350               | 14"               | a. A.   | a. A.    | a. A. | a. A.    | a. A. | a. A.    | a. A. | a. A.    |
| 400               | 16"               | a. A.   | a. A.    | a. A. | a. A.    | a. A. | a. A.    | a. A. | a. A.    |
| 500               | 20"               | a. A.   | a. A.    | a. A. | a. A.    | a. A. | a. A.    | a. A. | a. A.    |

\*a. A. = auf Anfrage

### 7.4 Baureihe XL – Standard Aggregat [in mm]



| Antrieb |        | XL 1760 |          |             |          |       |          |
|---------|--------|---------|----------|-------------|----------|-------|----------|
|         |        | Gewicht |          | Abmessungen |          |       |          |
| [kw]    | [hp]   | [kg]    | [lbs]    | L1          |          | H1    |          |
|         |        |         |          | [mm]        | [inches] | [mm]  | [inches] |
| 45,0    | 60,35  | 1.900   | 4.188,78 | 3.140       | 123,62   | 995   | 39,17    |
| 90,0    | 120,69 | 2.960   | 6.525,68 | 2.670       | 105,12   | 1.020 | 40,16    |
| 110,0   | 147,51 | 3.120   | 6.878,41 | 2.760       | 108,66   | 1.050 | 41,34    |

| Antrieb |        | XL 2650 |          |             |          |       |          |
|---------|--------|---------|----------|-------------|----------|-------|----------|
|         |        | Gewicht |          | Abmessungen |          |       |          |
| [kw]    | [hp]   | [kg]    | [lbs]    | L1          |          | H1    |          |
|         |        |         |          | [mm]        | [inches] | [mm]  | [inches] |
| 45,0    | 60,35  | 2.470   | 5.445,41 | 2.450       | 96,46    | 680   | 26,77    |
| 75,0    | 100,58 | 2.700   | 5.952,47 | 3.235       | 127,36   | 1.033 | 40,67    |

| Antrieb |        | XL 3530 |          |             |          |       |          |
|---------|--------|---------|----------|-------------|----------|-------|----------|
|         |        | Gewicht |          | Abmessungen |          |       |          |
| [kw]    | [hp]   | [kg]    | [lbs]    | L1          |          | H1    |          |
|         |        |         |          | [mm]        | [inches] | [mm]  | [inches] |
| 45,0    | 60,35  | 2.440   | 5.379,27 | 2.540       | 100,00   | 970   | 38,19    |
| 90,0    | 120,69 | 3.000   | 6.613,86 | 3.330       | 131,10   | 1.033 | 40,67    |

| Antrieb |        | XL 5350 |       |             |          |       |          |
|---------|--------|---------|-------|-------------|----------|-------|----------|
|         |        | Gewicht |       | Abmessungen |          |       |          |
| [kw]    | [hp]   | [kg]    | [lbs] | L1          |          | H1    |          |
|         |        |         |       | [mm]        | [inches] | [mm]  | [inches] |
| 75,0    | 100,58 | a. A.   | a. A. | a. A.       | a. A.    | a. A. | a. A.    |
| 90,0    | 120,69 | a. A.   | a. A. | a. A.       | a. A.    | a. A. | a. A.    |
| 110,0   | 147,51 | a. A.   | a. A. | a. A.       | a. A.    | a. A. | a. A.    |

\*a. A. = auf Anfrage

Sämtliche Angaben in diesem Dokument entsprechen dem technischen Stand zum Zeitpunkt der Drucklegung. Wir behalten uns technische Verbesserungen und Änderungen vor.

Börger GmbH  
Benningsweg 24  
D-46325 Borken-Weseke  
T: +49 2862 9103-0  
F: +49 2862 9103-46  
E: [info@boerger.de](mailto:info@boerger.de)  
[www.boerger.de](http://www.boerger.de)