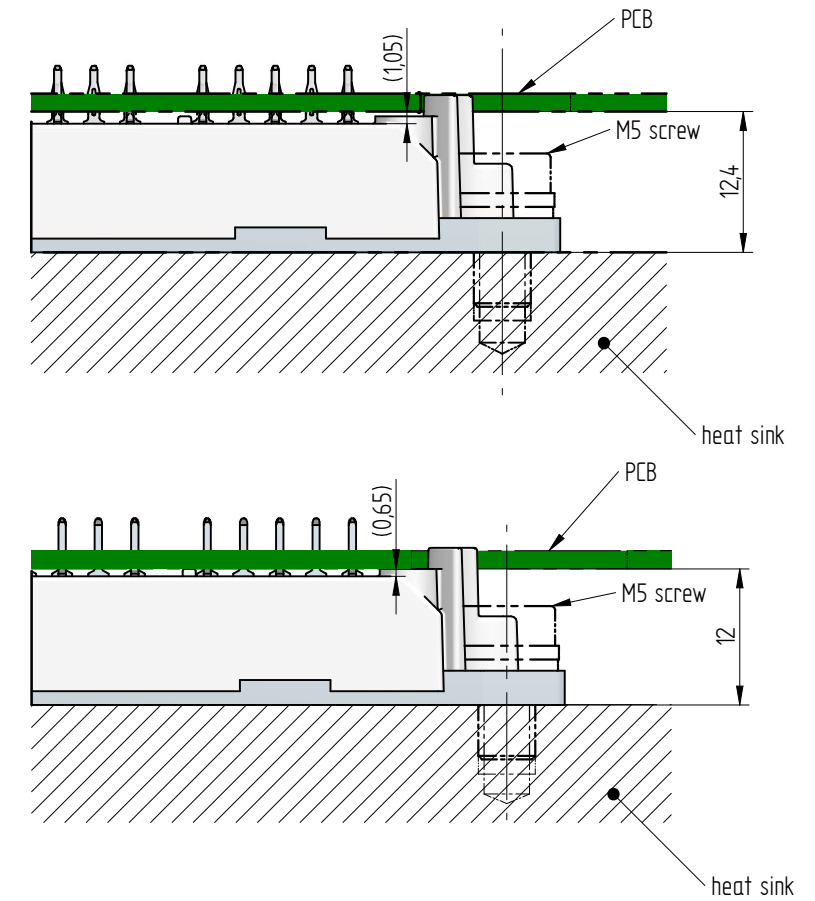


### Mounted condition



PCB specification according to the actual handling instruction document  
Refer to the module datasheet for actual pinout and 3D-CAD model  
Pin position tolerance  $\pm 0.4 \text{ mm}$

01.1	12.12.2024	Tolerance change	Géczy M.	Gyimóthy Zs.	Package Drawing	View scale 1,5:1	
01	11.09.2024	Initial release	Géczy M.	Gyimóthy Zs.			
Rev.	Date	Alteration	Designed	Approved			
General tolerances ISO 2768 - m , K			Ps A3		Vincotech	Page 1/1	
Linear dimensions	$x < 0.5 \pm 0.05$	$0.5 \leq x < 6 \pm 0.1$	$6 \leq x < 30 \pm 0.2$	$30 \leq x < 120 \pm 0.3$			FlowE3BP-4T12*-PD
Chamfers, radii	$x < 0.3 \pm 0.05$	$0.3 \leq x < 0.5 \pm 0.1$	$0.5 \leq x < 3 \pm 0.2$	$3 \leq x < 6 \pm 0.5$			
References	Inspectional dim: $\square$	Revision number (Rev.): *	IP Development				Drawing alteration in revision: {}