

*Tillys offer the ultimate
in automated blinds &
curtain systems, enabling
not only the curtains, but
roman and roller blinds to
all be integrated into the
same system.*



AUTOMATED WINDOW
DRESSING SOLUTIONS

Motorised operation is both luxurious and quiet providing a convenient method for operating window treatments. All types can be fully integrated with Smart Home systems providing state of the art technology, enhancing security as well as safety. Motors are unobtrusively incorporated into the hardware so as not to adversely affect the appearance and interior design.

*The complete Tillys
drapery hardware
collections can be fully
automated.*



AUTOMATED POLES

Automated poles provide the ability to combine classic or traditional products with cutting edge technology, and increases the feeling of luxury to any space.

Motorised poles are available from 38mm to 75mm diameter and are also available with or without rings.

Whether it is a new installation or a retrofit we can assist with costing any project that you have. In today's sophisticated electronic world it is important to be accurate and up to date. Our products are bespoke and we welcome your call to discuss your requirements.





We can offer automation to our bespoke Tillys curtain poles & Aura curtain tracks, Finesse roller blinds and Vanquish roman blinds using leading industry technology.

We assess your power and control requirements and submit a quotation to you accordingly, taking the worry off your mind.





Making a motorised pole is not as simple as it sounds. We have the technical expertise in-house to manufacture these items. The pole to be motorised must have a minimum diameter of 38mm. We also manufacture motorised poles in 50, 63 and 75mm diameters - these larger diameter poles can be formed around curves for use in bay windows etc. The poles can be supplied with the necessary rings or gliders as well.



Our automation systems are available in our current ranges of brackets and finials. The ranges compatible are as follows:

Classic Metals
Dovetail Modern Wood
Fabrique
Wrapped

Visit www.tillysinteriors.com to view the collections





Our automated curtain system can also be integrated with Roman Blinds and Roller Blinds, all operated from the same control module. These systems can be controlled via hand-held remote, a wall switch, a smartphone app, or integrated with your home automation system, giving you full control over all window treatments throughout the dwelling.

AUTOMATED TRACKS

Aura motorised tracks bring functionality and style together, enabling interior designers to fully develop their perfect schemes. These track systems are suitable for heavyweight curtains and Ripple heading as well as being fully compatible with most home automation systems.



AUTOMATED ROMAN BLINDS

Vanquish motorised Roman tracks provide extremely high quality automated systems for light, medium and heavyweight fabrics. This compact headrail conceals the motor and workings of the blind.



AUTOMATED ROLLER BLINDS

With beautiful brackets engineered in solid brass, Finesse roller blinds produce an aesthetic appeal to the product as never before. Suitable for wall and ceiling fix, the brackets are available in all Tillys Classic metal finishes.

Aura Finesse hardware is available with motorised operation compatible with most home automation systems. For the ultimate in sophisticated luxury these ultra quiet motors are hard wired and can be operated either via a wall switch or with a radio controlled remote handset.





Our Infinity Concealment products offer you solutions to conceal blinds and curtain track systems in any type of window, door or skylight.



ULTIMATE CONCEALMENT

Infinity concealment systems are designed to be recessed into the ceiling to create a totally flush installation.

Tillys collaborates with the architects and designers to provide specialist boxes and recessed pockets for blinds and tracks that are completely concealed within the structure of the building. The Infinity Blindbox and track systems are designed to be recessed into the ceiling to provide a concealed pocket to house the blind/track. The unique plaster-in flange and removable cover ensures seamless installation.

CONTROL OPTIONS

STAND-ALONE MOTORISED

Stand-alone systems are most common on small to medium projects. Where curtains are being fitted retrospectively or in a particular area of the house, a stand-alone control system would be installed for the operation.

The curtains or blinds require their own power supply or can be supplied with a battery motor. All systems can be activated either via a hard wire connection from the control point to each motor, or by using 'wireless' or RTS (radio transmitted signal) to a radio receiver connected to the product.

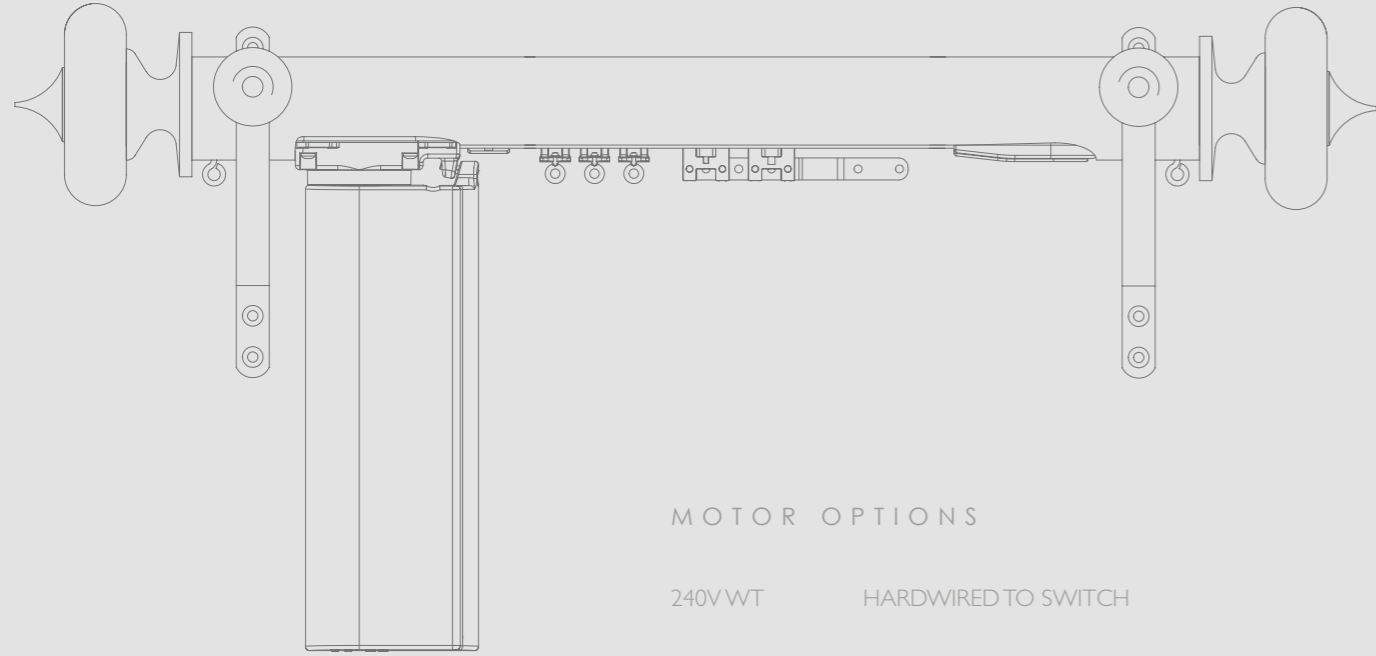


FULLY INTEGRATED HOME CONTROL

Fully integrated Home Automation Systems are ideally suited to larger projects; or when window treatments are being installed alongside other work being carried out on the property. Integrating to the home control system means curtains or blinds can be operated together with audio-visual, lighting and security etc. This allows the window treatments to be part of the AV mood and scene settings.

All our products are compatible to most home automation systems, including Lutron, Control 4, KNX and Crestron. However, we can work with any third-party system with the final specification depending on what is available and required.



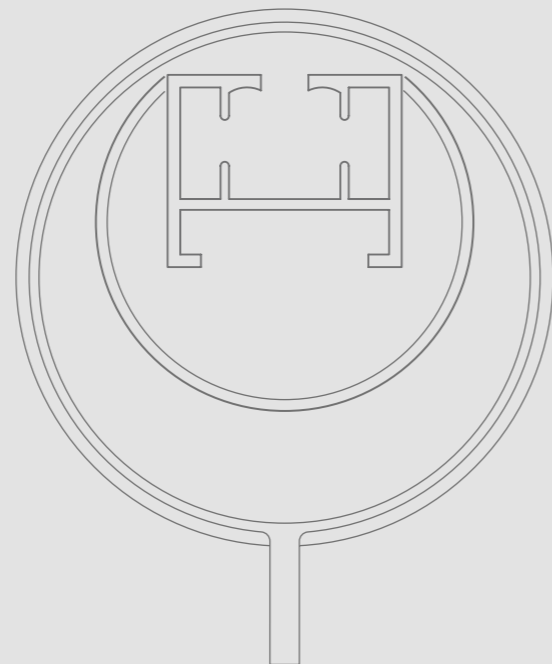


MOTOR OPTIONS

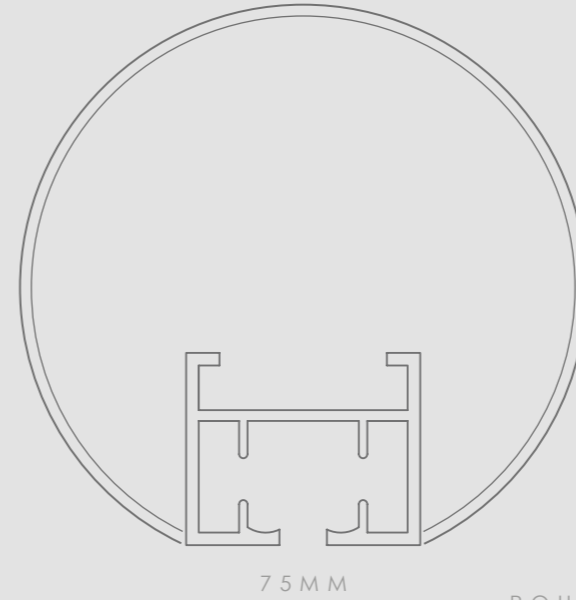
- 240V WT HARDWIRED TO SWITCH
- 240V RTS INCLUDES OUR HAND SET OPTIONS
- 240V DCT ALLOWS INTERFACE WITH OTHER SYSTEMS

MINIMUM POLE DIA - 38MM

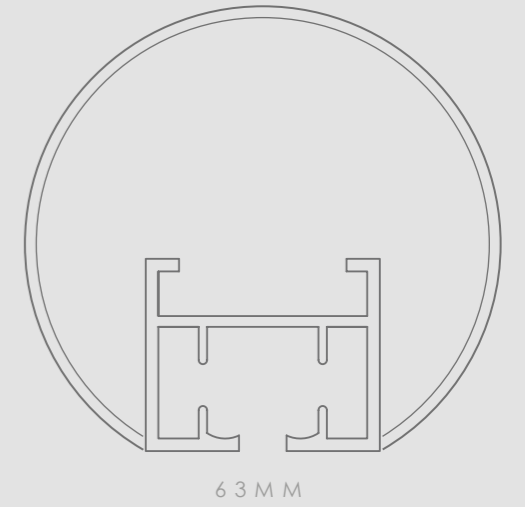
WITH RINGS



POLE SIZES
SHOWN ACTUAL SIZE



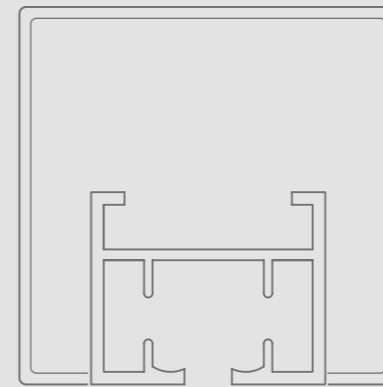
75MM



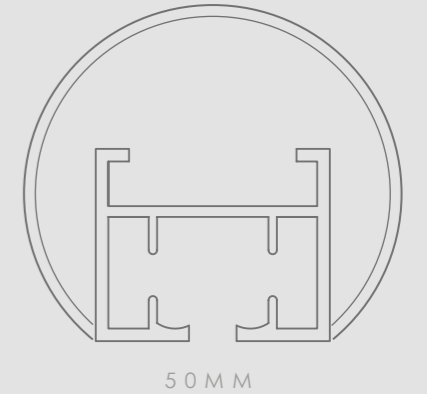
63MM

ROUND POLE SECTION

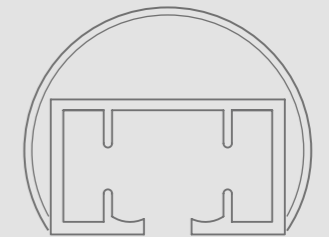
SQUARE POLE SECTION



50MM SQ

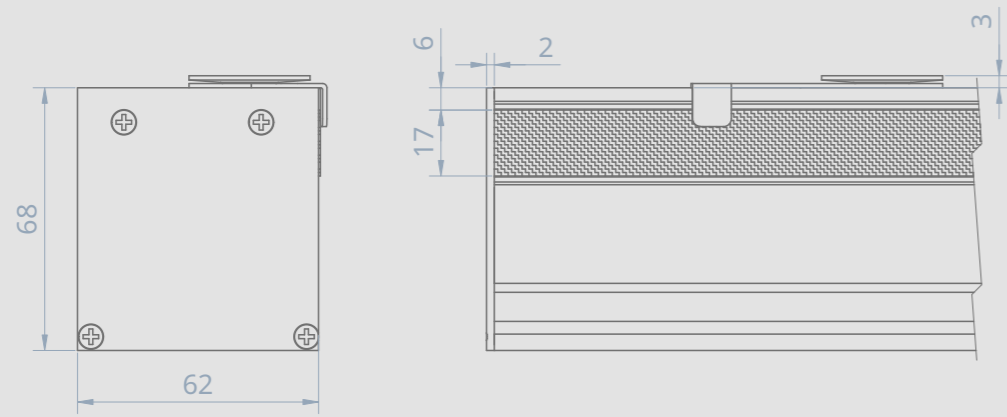


50MM



38MM

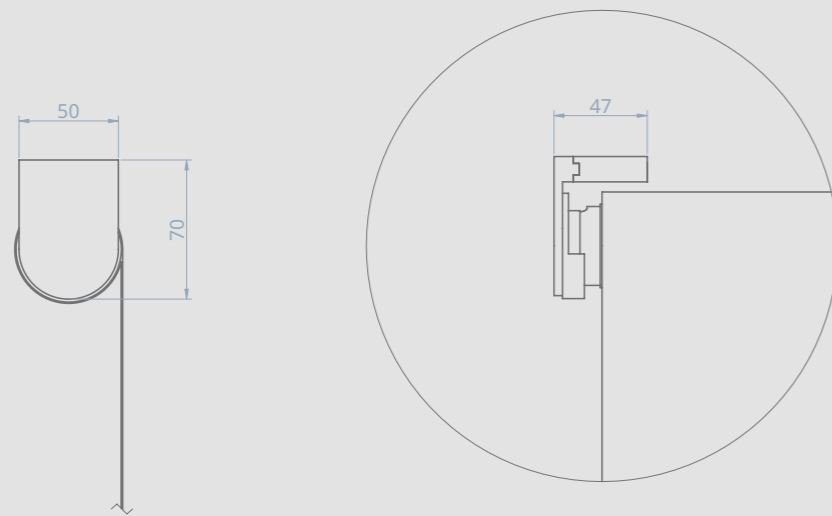
VANQUISH ROMAN BLIND



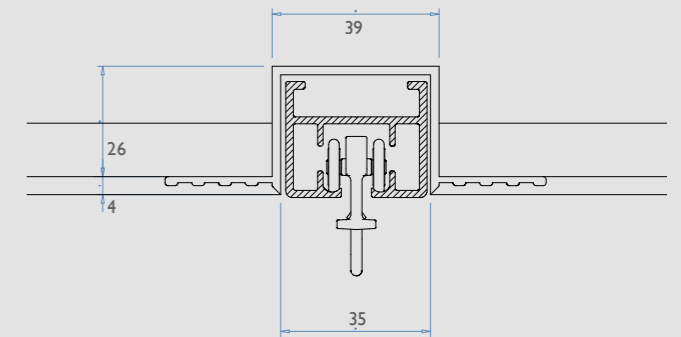
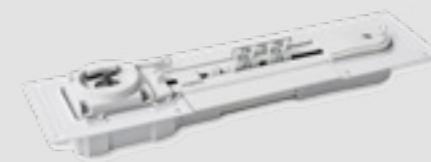
MOTORISED TRACK



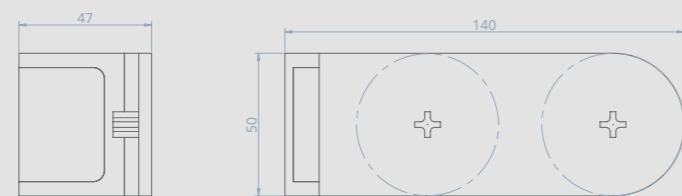
FINESSE ROLLER BLIND



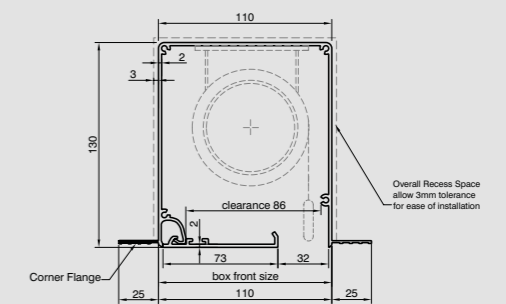
INFINITY MOTORISED



FINESSE DOUBLE ROLLER BLIND BRACKET



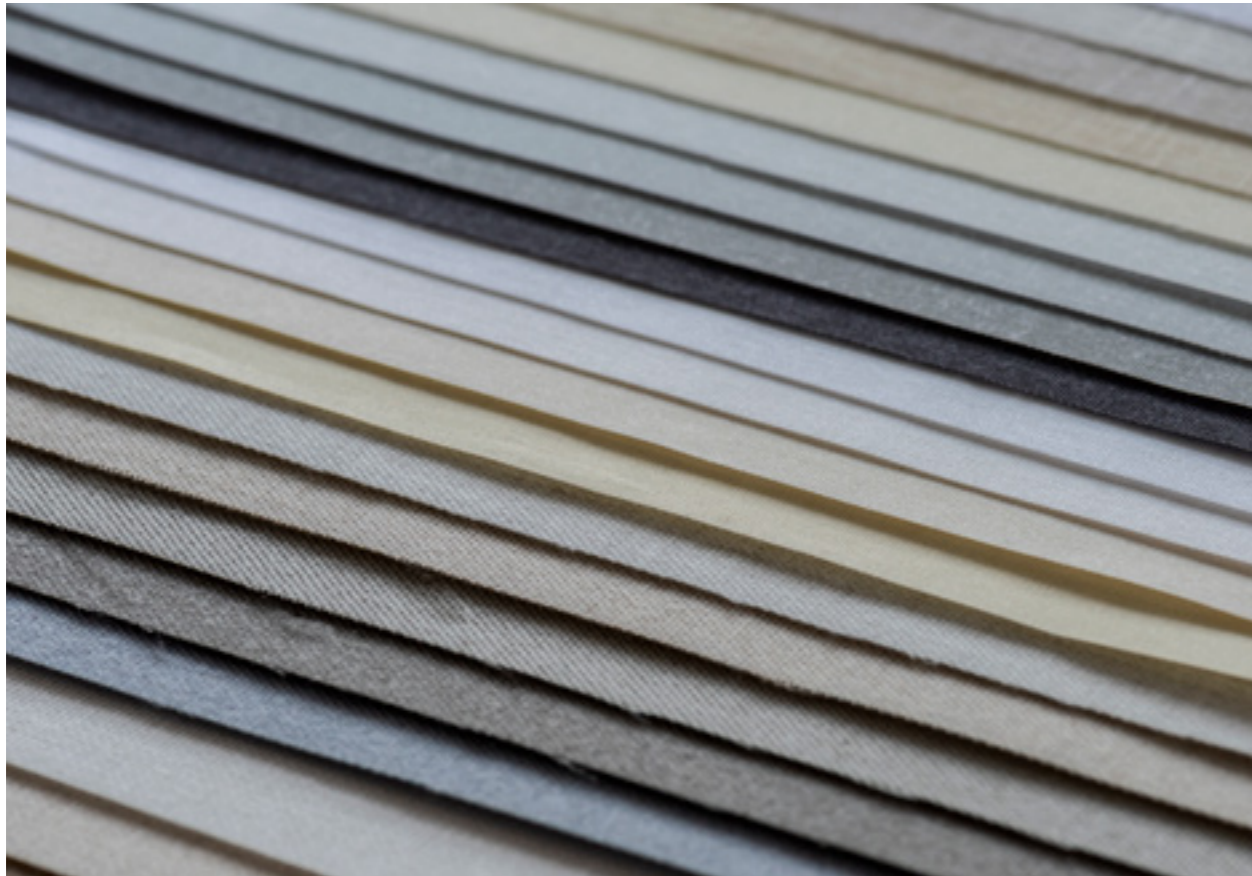
BLINDBOX



F A B R I C S

Our eclectic range of finished roller blind fabrics are an asset to any roomset. We offer a wide range of sheer and privacy fabrics, which are suitable for any domestic or commercial application. We can also laminate and process customer's own material subject to suitability.

To view our full collection, visit <https://tillysinteriors.com/finishes/fabrics>



F I N I S H E S

Tillys dedicates itself to producing the best quality products. Only years of experience and skills handed down through generations can produce the suitable standard of quality required for our collection of handcrafted finishes.

From the blacksmith's forge to the painstaking art of guild, each finish is representative of the skills of our master craftsmen. We use a combination of traditional methods and modern machinery to create the unique character of Tillys carefully selected metal, wood and artisan finishes.





CONTACT

023 9225 2525

sales@tillysinteriors.com

www.tillysinteriors.com

TILLYS INTERIORS LTD
Unit 1, Aysgarth Road, Waterlooville, PO7 7UG

