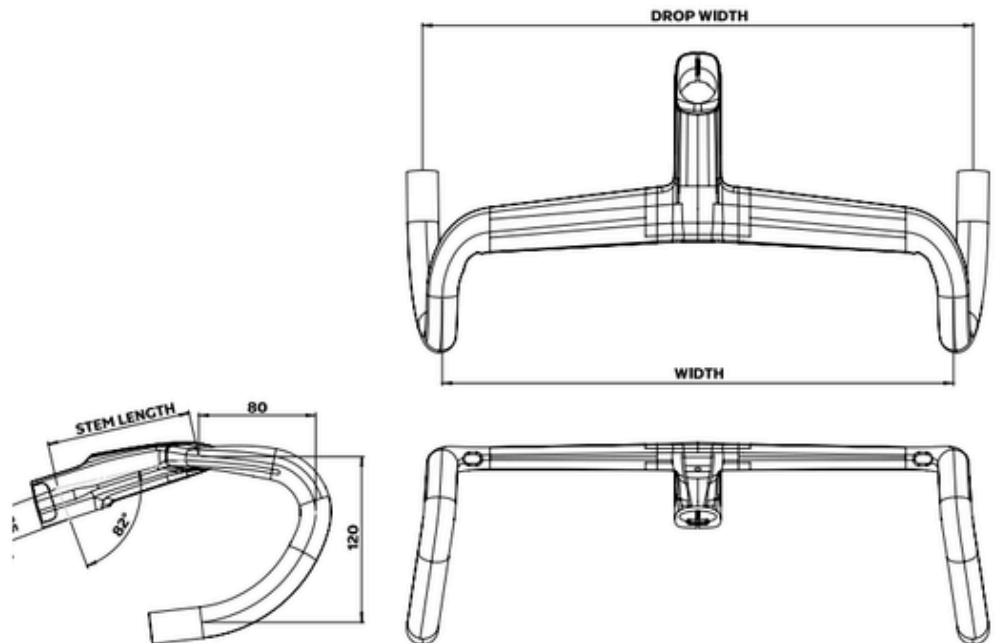


Cockpit geometry



CC.02 size	Stem Length	Width	Drop width	Reach	Drop	Angle
90 - 390	90mm	390mm	420mm	80mm	120mm	82°
100 - 390	100mm	390mm	420mm	80mm	120mm	82°
100 - 390	110mm	390mm	420mm	80mm	120mm	82°
110 - 410	110mm	410mm	420mm	80mm	120mm	82°
120 - 410	120mm	410mm	420mm	80mm	120mm	82°
130 - 410	130mm	410mm	420mm	80mm	120mm	82°