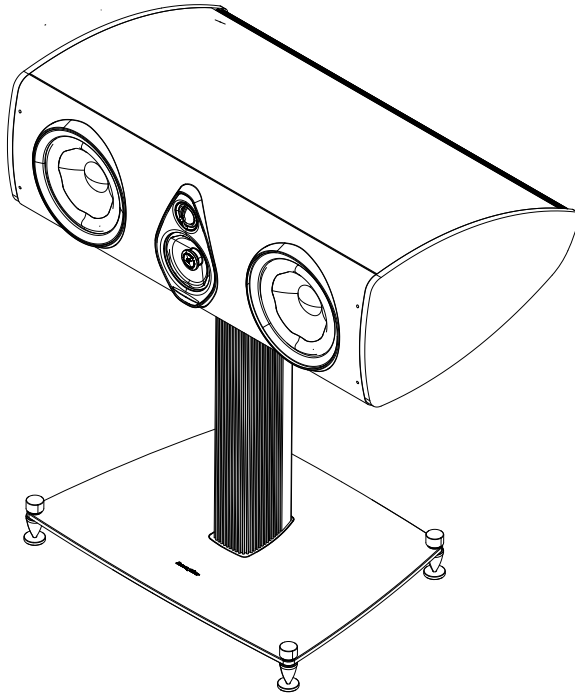


Sonus faber

HORIZONTAL LOUDSPEAKER



OLYMPICA CENTER G3

DIMENSIONS (HxWxD)

225x705x420 mm
8.9x27.8x16.5 in

WEIGHT

21 kg ea
46.3 lb ea

DIMENSIONS (HxWxD) STAND INCLUDED

710x705x450 mm
27.9x27.8x17.7 in

STAND WEIGHT

37,9 kg ea
83.6 lb ea

