



Product Handbook 2026



The specialist for
extra portable
and user friendly
mobility aids
www.alber.de

MADE IN GERMANY ■■■

Valid from 01.04.2026
Version 2



General Information

Customer Service, Service Center



Product Information

e-fix, e-motion, e-pilot, erivo, smooov, scalamobil, via go, viamobil, Mobility Apps



Mounting

DIP 2.0, general information, mounting information



Order Forms and Prices

Notes on order details, on the delivery note, order forms



Marketing and Training

Product training, ATC – Alber Training Center, Excursion to Alber



Service

Alber Service at a glance, warranty at a glance, system numbers, component number,
7-Years spare part service



Spare Parts and Spare Part Prices

Spare parts lists for all products



| | |
|------------------|---|
| News from Alber | 6 |
| Customer service | 8 |
| Service Center | 9 |



GENERAL INFORMATION



Dear Business Partner,

2026 marks a special milestone for Alber as we celebrate our 40th anniversary – a journey that began in 1986 with a vision to make mobility easier and more independent for people around the world. Over four decades, our story has been shaped by partnership, trust, and a shared commitment to innovation.

Sustainability is a core value at Alber and shapes every aspect of our business. In line with this commitment, our Product Handbook is available exclusively in digital form via our **Dealer Information Pool (DIP)**, giving you easy and always up-to-date access to all product information.

We are pleased to announce a quality update for our **smoov**: starting January 2026, smoov will be equipped with a new Bluetooth module that ensures even more stable and reliable connectivity – making everyday use even more convenient for your customers. In February, we will also introduce a new ergonomic control unit for the **via go**, designed for a more convenient use and to support attendants with limited finger mobility.

We warmly invite you to visit us at **REHACARE** in Düsseldorf from September 23 to 29, 2026. Experience our Alber electric mobility aids first-hand and celebrate our 40th anniversary with us. Your partnership and trust are the foundation of our success, and we look forward to shaping the future of mobility together.

We hope this handbook provides you with valuable insights and comprehensive information to support your daily business. Thank you for being part of our journey.

Best regards,
Your Alber Team

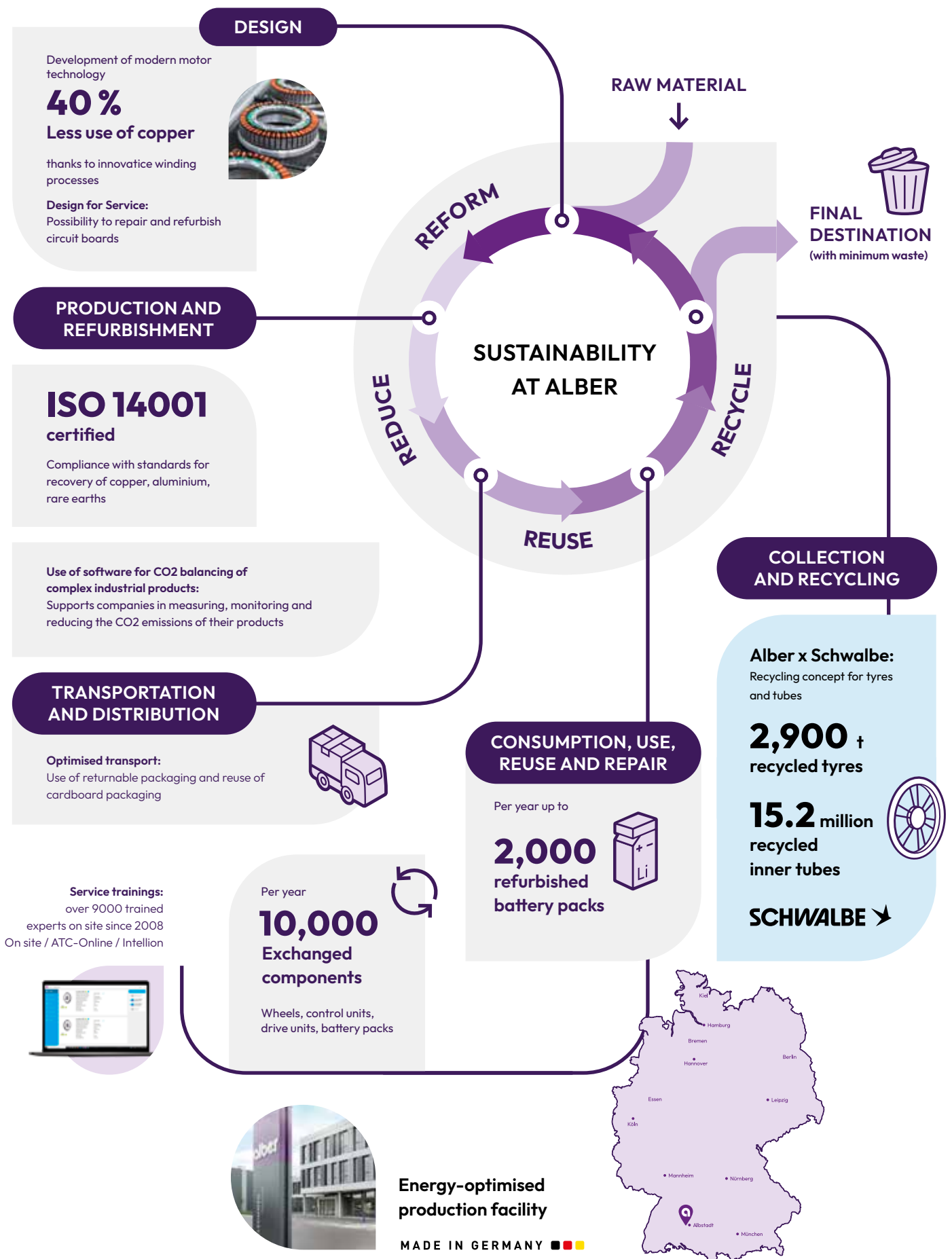


via go: Available with new operating assist from February 2026





The journey begins: Alber sets the course for a more sustainable business





Customer service contact

Our customer service staff will be glad to assist you with any questions regarding the ordering of new products, spare parts and accessories.

They can also provide you with additional information regarding training as well as advertising material and other issues related to the sale of our mobility aids.

Business hours:

Monday to Thursday: 8 am – 5 pm

Friday: 8 am – 4 pm

Directline to Customer Service Export
csexport@alber.de

+49(0) 7432 2006-230

Customer Service

Anika Raff
Andrea Jakob
Elisa Karle
Isabell Krohn
Luisa Folcarelli
Sandra Friedrich
Svantje Lerche
Tabea Binder

Stefanie Mey
Sales Manager

Michelle Nakicevic
Head of international Sales



Contact at the Service Center

You can rely on our service centre in case of any **technical problem**.
Due to the modular design, the exchange of defect components of our products is usually quick and economical – within 48 hours.

Directline to Service Center
service@alber.de

Business hours:
Monday to Thursday: 8 am – 5 pm
Friday: 8 am – 4 pm

+49 (0) 7432 2006-250

Service Center

Axel Maute
Celine Kolbus
David Kiene
Georg Basar
Robert Martinovic





ELECTRICAL POWER ADD-ON DRIVES

e-fix E35/E36 13

e-pilot P15 30

ACTIVE POWER ASSIST DRIVES

e-motion M25 / e-motion DuoDrive 46

SMOOV 010 60

POWER WHEELCHAIRS

erivo R10/R11 70

STAIRCLIMBERS

scalamobil S45/scalacombi S45 78

PUSH AND BRAKE AIDS

via Go 93

viamobil eco V25 101

viamobil eco V14 109

ALBER MOBILITY APPS

117

PRODUCT INFORMATION



With the benefit of meticulous load tests and the use of high-quality materials, our mobility products boast a high payload or load tolerance. Payload fluctuations, which are determined by the different wheelchairs, have in the past led to scope for interpretation with respect to possible payload. In order to fully utilize the spectrum of the payload, we will in the future list the permissible total weight in our documentation next to the weight of the person. Please note the new limit values in the following table.

| Product | Permissible total weight ⁽¹⁾ | Weight of the person ⁽²⁾ | Unladen weight, drive |
|------------------|---|-------------------------------------|-----------------------|
| e-fix E35 | 170 kg | 120 kg | 19.3 kg |
| e-fix E36 | 210 kg | 160 kg | 19.1 kg |
| e-pilot P15 | 135 kg | 100 kg | 18.4 kg |
| e-motion M25 | 190 kg | 150 kg | 15.6 kg |
| erivo R10 | 182 kg | 150 kg | 29,6 kg |
| erivo R11 | 182 kg | 150 kg | 31,8 kg |
| scalamobil S45 | 180 kg ⁽³⁾ | 140 kg ⁽³⁾ | 25.8 kg |
| scalacombi S46 | 180 kg ⁽³⁾ | 140 kg ⁽³⁾ | 37.8 kg |
| SMOOV 010 | 170 kg | 150 kg | 7.2 kg |
| via go V24 | 170 kg | 150 kg | 5,9 kg |
| viamobil eco V14 | 170 kg | 120 kg | 18.2 kg* |
| viamobil V25 | 210 kg | 160 kg | 13.3 kg* |

* Complete power wheelchair

Important note:

Under no circumstances should the maximum payload of the wheelchair as defined by the manufacturer be exceeded. Please familiarise yourself with the weight limits by consulting the documentation or the specification plate on the wheelchair.

⁽¹⁾ Permissible total weight

The permissible total weight is a fixed limit value, which, in the interests of standards compliance, may not under any circumstances be exceeded. The permissible total weight is calculated from the payload (generally the weight of the person plus other additional equipment such as bags or similar), plus the weight of the wheelchair itself and the unladen weight of the auxiliary drive.

Sample calculation:

Determination of the permissible total weight. Solution with e-fix E35, perm. total weight 170 kg:

| | |
|---|-----------------|
| Weight of the person | 100 kg |
| + Additional equipment (e.g. tray table) | 3kg |
| + Wheelchair weight (e.g. standard lightweight) | 16 kg |
| + e-fix E35 unladen weight | 18,9 kg |
| = Total weight | 137.9 kg |

⁽²⁾ Weight of the person

The permissible weight of the person is calculated starting with the permissible total weight less the weight of the wheelchair, the unladen weight of the drive and the equipment. The result for the weight of the person can therefore vary depending on the configuration.

Sample calculation:

Determination of the max. weight of the person. Solution with viamobil V25, perm. total weight 210 kg

| | |
|---|-----------------|
| Permissible total weight | 210 kg |
| – Additional equipment (e.g. tray table) | 15 kg |
| – Wheelchair weight (e.g. standard lightweight) | 25 kg |
| – viamobil V25 unladen weight | 13,5 kg |
| = Weight of the person | 156,5 kg |

⁽³⁾ scalamobil

To ensure the safe handling of the product combination, it may happen, depending on the suitability of the attendant and the wheelchair user (in particular comfort chairs), that the payload will be lower than specified here. The Alber Customer Service would be delighted to advise you if required.

e-fix[®]

The versatile add-on drive for
your personal wheelchair.

| | |
|-----------------------|----|
| Highlights | 14 |
| Product advantages | 16 |
| Product setup | 17 |
| Scope of delivery | 18 |
| Accessories | 22 |
| Mobility Plus Package | 28 |
| Technical data | 28 |



MADE IN GERMANY





Greater transportation benefit

- No component heavier than 9 kg
- Total system 19.1 kg



Small and light battery pack

- Lithium-ion technology for long life time
- Compact dimensions, fits under almost any wheelchair and most folding wheelchairs can be folded with the battery
- Ultra-light, weighing only 1.9 kg



Intelligent battery mount

- Integrated guides for simple insertion of the battery pack
- One "click" and the battery is locked in place and ready to go thanks to automatic contacting
- Fixation using Velcro straps or fixed clamp optionally



Innovative control unit

- Modern, super-flat design
- Adaptation of the display options, driving modes and settings via menu
- Easy-to-understand operating instructions on the display (plain text, graphics)
- Individually programmable driving parameters
- Integrated LED ambient lighting



Effortless handling thanks to EasyConnex magnetic plug

- Contacting takes place automatically, thanks to magnetic force
- Plug control unit, intuitive attendant control and battery charger "find" the correct plug position automatically



Optimized drive unit

- New, super quiet gear box
- With "real" clutch for full freewheeling
- Greater range thanks to energy recovery during braking



Mounting

- Bracket mechanically compatible with the e-fix E25/E25 brackets



Small. Light. Yours.





Product advantages

Small, light, yours. The e-fix conversion kit transforms any customised manual wheelchair into a power chair that can be adapted to the user's needs, increasing independence and mobility.

Great flexibility thanks to individual mounting on most manual wheelchairs

With e-fix, there is no need to compromise on ergonomics and adaptability. Thanks to the wide range of compatible wheelchair models, every user can be provided with a mobility solution that offers the right ergonomics and adaptability.

With the Opti-Box as an interface, an e-fix can be easily combined with a zero-path joystick or a head control unit (e.g. from Humanelektronik, special control manufacturer, see page 26). This also gives the user mobility within their own four walls.

The most important product advantages at a glance

- For persons weighing up to 160 kg
- Low weight and compact dimensions allow easy transport
- Universally easy to apply - product in accordance with class B for indoor and outdoor use
- High mobility with superior driving characteristics also in limited spaces
- Manual operation by simply uncoupling the drive wheel - two wheelchairs in one
- Discreet technology, dynamic design, wheelchair remains foldable
- Individual care through versatile programming functions
- Intelligent electronics with power-saving function and service diagnostics
- Quick component replacement possible, thanks to modular design
- Great flexibility through individual mounting on most manual wheelchairs

Wheelchair mounting

- Standard wheelchairs
- Light weight wheelchairs
- Active wheelchairs
- Paediatric wheelchairs
- Comfort wheelchairs
- Special applications such as:
 - Seat shell sub-frame
 - Stand up or lift chairs

The Alber bracket system permits the combined use of the e-fix and the scalamobil on many wheelchairs. The "Mounting" section provides a broad overview of compatibility.

If you have questions regarding a specific wheelchair model, please contact our Customer Service with the details by calling +49 7432 2006-230 or by e-mail to csexport@alber.de. Easiest way is to do the check yourself 24/7 in our Dealer Information Pool (www.dip.alber.de/en).

Our quality promise - Your safety

Seal of approval and testing institute



TÜV Süd, Hanover

CE conformity



complies with the European Medical Device Regulation (MDR) 2017/745

As per application class

Class A (Indoors)

Class B (Indoors and outdoors)

Class C (Outdoors)



Focus Open 2015 Silver



How it works:



Uncouple the drive wheel ...

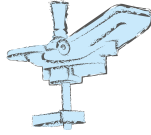
... and push manually!

Use the quick-release mechanism to remove the drive wheels



The control unit

Modern, flat design, with useful display for battery capacity and range, adjustable driving modes and ergonomically arranged control elements.



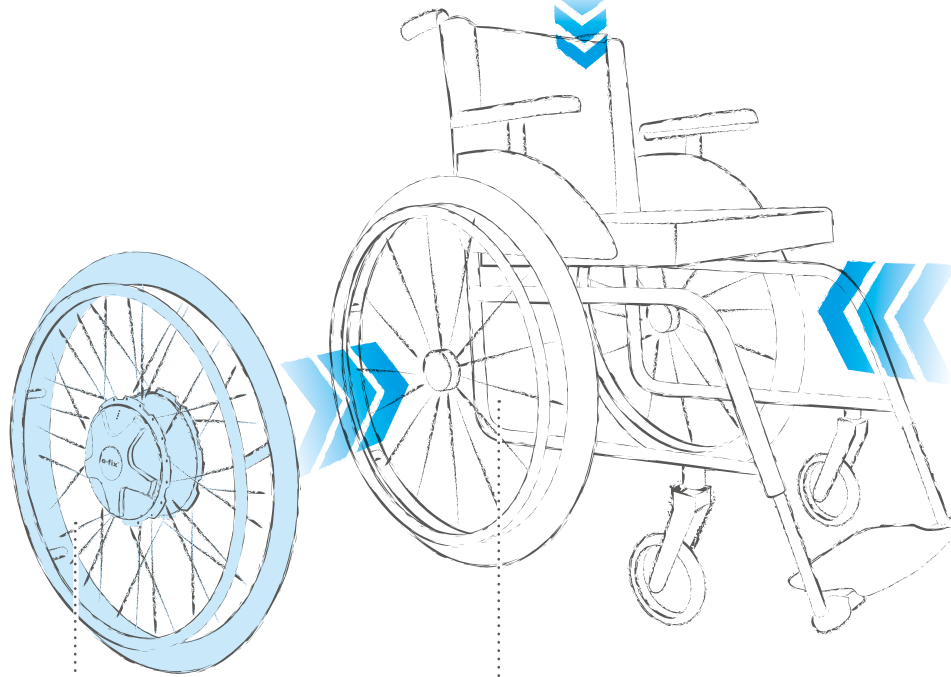
Intelligent battery mount

Clever interface between battery pack and the two drive wheels.



The battery pack

Can be conveniently clipped into the battery mount. Depending on the version, suitable for driving distances up to 16 km



The drive wheels

Are attached easily to the wheelchair using the quick-release mechanism and can be removed just as easily to save space during transport.

The bracket

The bracket Connection between manual wheelchair and the drive unit.



Control unit

- Modern, flat design
- TFT-color display showing the capacity and range
- Other functions can be selected via the menu
- Continuously adjustable speed selection via a turn wheel (0.5 - 6 km/h)
- Buttons for On/Off, horn and ambient lighting
- Removable hand rest
- Further setting options: Adjustable joystick resistance, individual adjustment via programmable parameters individual adjustment via programmable parameters
- Bluetooth® chip, connectivity to the e-fix mobility app (see page 21)



Battery pack

- Powerful lithium-ion battery cells for long service life
- Range up to 16 km with 5.85 Ah battery pack (depending on the ground surface, the weight of the person, temperature, wheelchair settings and terrain)
- Easy to remove and reinsert
- Weight only 1.9 kg
- Integrated carrying handle
- Optional: 7.35 Ah battery pack offering a range of up to 20 km (standard for the E36, weight 2.0 kg)
- The battery pack can be charged when on the wheelchair or when separated from it
- Socket for the control unit and battery charger plug: automatic contacting via magnet (EasyConnex)
- 24-month warranty



Battery mount

- Clever interface between battery pack and the two-drive wheels
- Insert battery and lock in place with one "click"
- Automatic contacting of the battery pack
- Fixation using Velcro straps, optional fixed mounting
- With integrated fuses



Drive wheel E35/E36

- Motor, brakes, transmission and clutch integrated in the wheel hub
- Simple wheel fitting and removal without use of tools
- Different wheel sizes are available
- Conversion of manual wheels to 1/2" stub axle for an additional charge
- Simply uncouple the e-fix wheels to allow manual operation
- e-fix increases the wheelchair width by approx. 2-5 cm



Version E35

- For persons weighing up to 120 kg
- Wheel size: 14" (airless or puncture-proof),

Version E36

- For persons weighing up to 160 kg
- Wheel size: 24", puncture-protected



NEW
Wheel size 14"



Automatic battery-charger

- Contacting to battery via intuitive EasyConnex magnetic plug
- Electronic charging and switch-off mechanism
- Automatic adaptation to the mains voltage (90 - 240 V)



e-fix mobility app

- Free of charge e-fix E35/E36 mobility app with useful functions and information
- For Android and iOS

The mobility app at a glance:

Guide:

- Brief operation instructions
- Error information with solution suggestions
- List of specialist dealers worldwide

Cockpit:

- Showing the remaining capacity and range
- Tour computer
- Recording of a travelled distance
- The prerequisite is an Internet-enabled smartphone and a control unit equipped with Bluetooth® (recognisable by the Bluetooth® symbol in the top left of the e-fix display). Without Bluetooth® only limited range of functions, remaining capacity is not displayed
- Upgrade of existing e-fix systems without Bluetooth®, contact our customer service for more information
- Enjoy additional functions with the optional Mobility Plus package (see page 27).

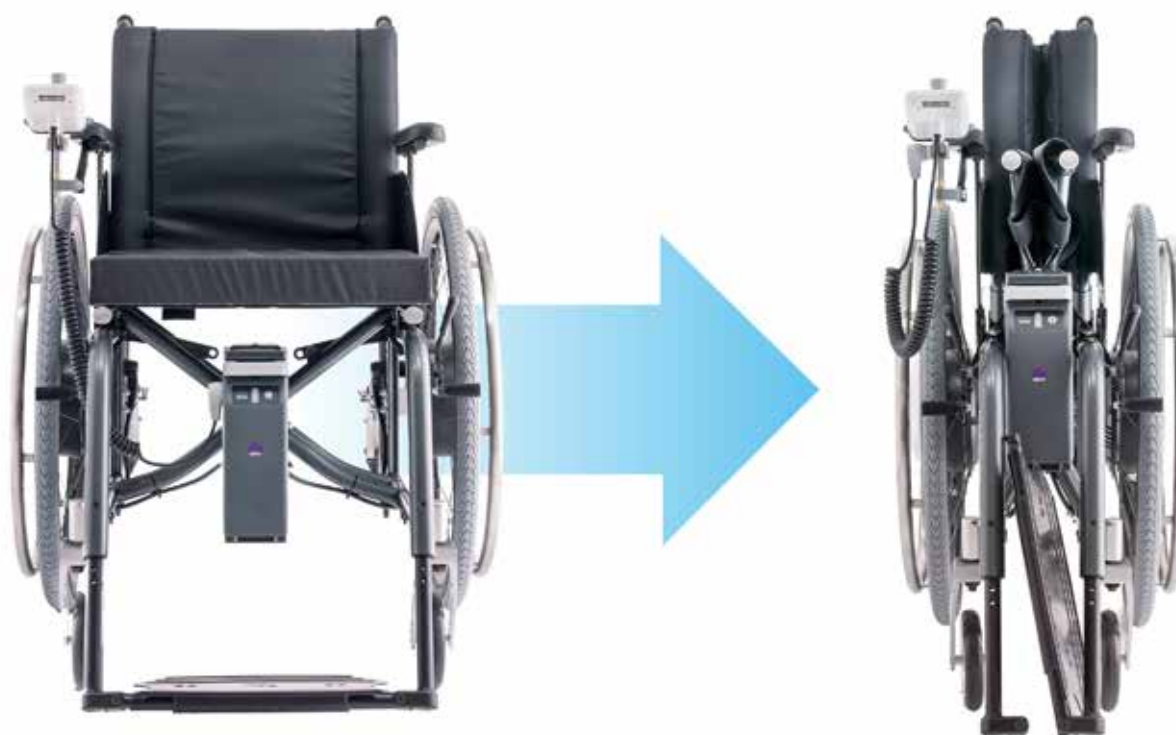


The e-fix mobility app:
Available at the Google Playstore
and App Store.



Compact foldable

Folding frame wheelchairs with the attached e-fix components can be folded up in one easy step. This makes space-saving parking or transport in the car easy.





e-fix drive wheels now available in size 14" for seat shell base frame, rehab buggies or emergency beds

The newly available 14" drive wheels for the e-fix E35 are particularly suitable for seat shell bases, rehab buggies or emergency beds.

The drive wheels are designed for a passenger weight of up to 120 kg. The wheels are available in the standard version with PU inlay and optionally with pneumatic tyres.

The drive wheels are compatible with 12.5 or 16-inch chairs. Please note that, depending on the system, the height difference must be equalised via the seat tilt or the swivel castors.

If you have any questions about a particular combination or special requests regarding the fitting of 14" wheels, please contact our export department. If a combination is not yet available in the DIP, please also contact our export department.



e-fix E35 with 14" wheels mounted on a Sorg Loop RS



The battery pack is fitted to most seat shell bases with the mounting set for the fixed battery. There are two different sets, one for fixed mounting on the cross tube and one for mounting on the cross tube. The Sorg Loop RS shown on the picture uses the set for mounting on the cross tube.



Bracket

- Mechanical holder for drive wheels and at the same time distributor for power supply and control signals
- Please include in order, if not present
- Please indicate wheelchair type and seat width
- Go to dip.alber.de/en to conveniently check mounting options, download mounting instructions or order bracket



Bracket for control unit as attendant control

- Mounted onto the tubes of the wheelchair push handles
- Position is individually adjustable
- Control unit is simply replugged for the attendant
- Can be fitted on the right or left-hand side
- Adaptor cable recommended



Intuitive attendant control

- Simple and ergonomic operation by the attendant
- Sensors convert the control impulse into drive movement
- Also perfectly suitable for use on uneven terrain



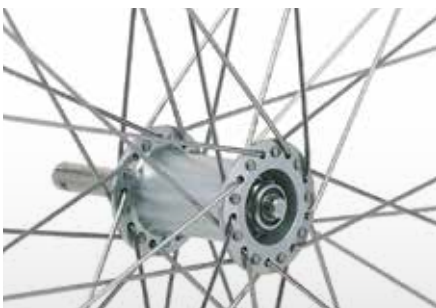
Additional push handle

- Push handle extension for achieving the same distance as with the intuitive attendant control
- Recommended for ergonomic use of the e-fix via intuitive attendant control



Anti-tippers with swivelling and jack-up function

- Removable via quick-release device
- Height and length adjustable
- With automatic swivelling function for crossing curbs and thresholds
- Jack-up function for easy removal of the drive wheels
- Anti-tippers must be mounted in pairs



Conversion from screw to stub axles, Changing from 12-mm to 1/2" stub axles

- Conversion of existing wheels, so that e-fix and manual wheels fit into the same wheel adapter
- Simple conversion using adapter stub axles
- Conversion of wheels with drum brakes not possible
- For manual wheels, a wheel size of 1 3/8" must be observed, because a smaller or larger wheel size is not compatible with the brakes adjusted to the e-fix drive wheels.



Opti-Box

- Extension interface for the easy connection of:
 - Special controls
 - Speed stop/speed limit switches
 - External on/off switch

Compatible special control with the Opti-Box:



Protos® joystick by Humanelektronik

The waterproof Protos® joystick is ideal for people with missing hand motor function who are unable to perform normal joystick movements due to muscle weakness cannot perform the usual joystick movements. Minimal pressure against the joystick head is sufficient to steer the wheelchair. The Protos® joystick is used with the Protos® wheelchair control.

Contact person for the Protos® special control:
 Humanelektronik GmbH, www.humanelektronik.de
 Weinsheimer Str. 57 A, 67547 Worms, Germany, Tel. +49 6241 49691-0

Further
 information at
humanelektronik.de

Other possible controls can be combined with the Protos Box

Protos® Box wheelchair control

Protos® is a particularly easy-to-use wheelchair control for people with limited muscle strength. It requires minimal effort to operate and is water-resistant. It can be individually customised and programmed for use with many wheelchairs. The control can be operated by hand or chin and is compatible with the Rollix® environment control system. Rollix® environmental control system, which allows devices such as telephones, lights and doors to be operated.

Protos® Disc

Protos® Disc is a control unit for people with no or very weak finger motor skills. It is controlled by shifting the weight of the palm of the hand placed on it. Protos® Disc is used in conjunction with the Protos® wheelchair control system.

Protos Stick

Protos® Stick is a wheelchair control unit for people who, due to their motor skills, are unable to operate a normal joystick.

The stick is placed in the user's hand and the joystick head is controlled using the thumb or another finger.

Protos® Compact USB Joystick

The Protos® Compact Joystick is small, lightweight and can be operated with very little muscle power. It has an additional USB port for connecting other buttons. It is used in conjunction with the Protos® wheelchair control system.



Wergen Systemtechnik
E35/E36

Joystick VS (very-sensitive) from Wergen Systemtechnik

The joystick of the Wergen control system is suitable for people with spasticity, athetosis, ataxia, MS, cross section, ALS muscle atrophy and muscle dystrophy. The special feature is that the Wergen control adapts to the user. It enables the user to drive the wheelchair safely as well as to operate the computer/smartphone. computer/ smartphone operation. For more information please visit the website www.wergen.com. Contact person for the special control „Joystick VS“:

Wergen Systemtechnik, www.wergen.com
Grüner Waldweg 63, 34121 Kassel, Germany, Tel. 0561 73994525



Speed stop/speed limit switches

- For adapting e-fix to stand-up and lifting chairs
- Reduces the speed or prevents driving when the Speed
- Stop/Speed Limit switch is activated
- Opti-box required for the connection (optional)



External on/off switch

- To easily switch the e-fix on and off
- Large operating button that can be positioned freely
- Opti-box required for the connection (optional)



Immobiliser or programming key (service)

- Immobiliser key (grey) for the user to protect the system against unauthorised person
- Service/Programming key (red) for the dealer to adjust driving parameters



Swivel arm

- Control unit is swivelled away in parallel, making it easy to drive close up to tables
- Can be fitted on the right or left-hand side



Joystick option - T-handle

- Ergonomically shaped
- Width approx. 90 mm (inside)
- With quick-on fixation



Joystick option - Special

- Ergonomically shaped
- Diameter approx. 40 mm
- With quick-on fixation



Joystick option - Soft

- Ergonomically shaped
- Diameter approx. 70 mm
- Washable
- With quick-on fixation



Extension for speed preselection

- Enlargement of the selection wheel
- Especially for users with limited hand/finger function
- Easy to retrofit



Protection bumper for protection against ramming

- Protects hands in case of collisions
- Sturdy design to protect the control unit
- Retrofitting possible



Tray table

- For wheelchairs with armrests
- Minimum height above the e-fix wheel 6 cm
- The control unit is inserted into the tray table in the middle position



Spare battery pack (5.85 Ah)

- Spare battery to increase mobility
- Parallel charging of the spare battery
- Expedient also for professional use
- Easy to replace
- Weight: 1.9 kg
- Including transport bag



Increased capacity battery pack (7.5 Ah)

- Standard for 160 kg user weight drive variant (E36)
- Range up to 20 km (depending on the ground surface, the weight of the user, temperature, wheelchair settings and terrain)
- Weight: 2.0 kg



Transport bag or mounting set

- Bag for transporting the spare battery with holders for Velcro straps
- Mounting set, consisting of two short and two long Velcro straps, matching the bag



Fixed assembly of battery mount (set 1)

- For permanent mounting of the interface to the cross brace
- Specially for foldable standard and lightweight wheelchairs
- Rigid construction

Fixed assembly of battery mount (set 2)

- For permanent mounting of the interface to the cross tube
- Specially for rigid frame wheelchairs, comfort, lift or stand-up chairs
- Rigid construction



Spoke cover

- 22" spoke cover, transparent, plain
- 22" spoke cover with design "Alber"
- 24" spoke cover, transparent, plain
- 24" spoke cover with design "Alber"



Extension for coupling ring

- Especially for users with limited hand/finger function
- Makes it easier to couple/uncouple the drive wheel from manual to motorized mode
- Easy to retrofit
- Standard for 160 kg user weight drive variant (E36)



External charger socket

- Including universal bracket
- For convenient charging of the battery pack
- Free positioning on the wheelchair

Sticker Set „Kids“

Customize your world the way you like it!

- Easily redesign the e-fix with the „Kids“ sticker set.
- The set includes stickers for the control unit and the spoke guard in the designs „Dino“, „Llama“ and „Sayings“.
- Available individually or as a set with spoke protectors 22“ or 24“.





Overview of the e-pilot Mobility Plus Package and its functions



Mobility Plus Package

- Adds useful functions to the e-fix Mobility App such as the Speed travel mode
 - The prerequisite is an Internet-enabled Android or Apple iOS smartphone and a control unit equipped with Bluetooth® (recognisable by the Bluetooth® symbol in the top left of the e-fix display)
 - Upgrade of existing e-fix systems without Bluetooth® contact our customer service for more information
- Contains: Booklet with operating instructions and license code



SPEED

- Increases the maximum speed from 6 to 8 km/h*
- New dynamic driving experience with the e-fix



Remote

- Remote control of the unoccupied wheelchair using a smartphone
- You can choose whether to control it with the built-in inclination sensor (by gently tilting the smartphone) or with a virtual joystick



Phone

- Notification of incoming calls or SMS on the display

The local road traffic act is to be considered regarding the maximum speed.
Not possible with Opti-Box.



Drive wheel

| | E35 | E36 |
|---------------------------------|--|--|
| Size | 22" or 24" | 24" |
| Climbing and braking capability | up to 20 % | up to 15% with 160kg user weight up to 20% with 120kg user weight |
| Motor power rating | 2 x 110 W | 2 x 150 W |
| Speed | 0.5 - 6 km/h | 0.5 - 6 km/h |
| Operating voltage | 36 V | 36 V |
| Dimensions | Increases the wheelchair width by approx. 2 – 5 cm depending on the wheelchair | |

i The limit values of the wheelchair manufacturer are to be observed

i Anti-tippers must be mounted in pairs

Battery pack

| | E35 | E36 |
|---------------|--|------------------------------------|
| Battery cells | 37 V, 5,85 Ah, 216 Wh (optional 7.35 Ah) | 36 V, 7.35 Ah, 265 Wh |
| Range | up to 16 km (optional up to 20 km) | up to 18 km (optional up to 14 km) |
| | Leak-proof and maintenance-free, lithium-ion battery, 24-month warranty depending on the ground surface, the weight of the user, temperature and terrain | |

Control unit

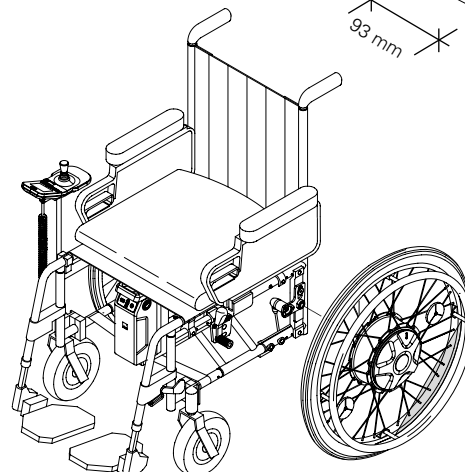
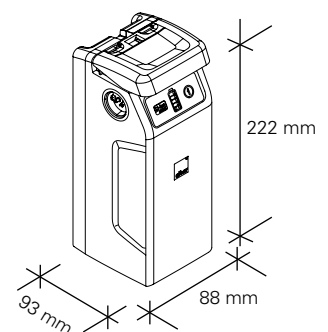
| | |
|-------------------------|---|
| Illuminated TFT display | Battery capacity indicator, clearly coloured and helpful information and fault display via text and image |
| Settings | Speed preselection, programmable driving parameters (max. speed, acceleration, deceleration, sensitivity, curve radius, acoustic signal, braking onset, automatic power-save, joystick deflection) No external programming device required |

Battery charger

| | |
|------------------|--|
| Input voltage | 90–240 V (AC), 50–60 Hz, automatic adaption to the main voltage, automatic charging and switch-off mechanism |
| Output voltage | 45 V (DC) |
| Charging current | 1.5 A |
| Charging time | approx. 5 hours at 5.85 Ah battery pack |

Weight

| | E35 | E36 |
|-------------------------------|-------------|-------------|
| Total weight | 19.1 kg | 19.0 kg |
| Battery pack | 1.9 kg | 2.0 kg |
| Drive wheel | 7.9 kg | 7.8 kg |
| Control unit | 0.6 kg | 0.6 kg |
| Interface | 0.8 kg | 0.8 kg |
| i Weight of the person | max. 120 kg | max. 160 kg |
| Permissible total weight | max. 170 kg | max. 210 kg |



complies with the European Medical Device Regulation (MDR) 2017/745

e-pilot[®]

The durable add-on scooter
for your wheelchair.

| | |
|-----------------------|----|
| Highlights | 31 |
| Product advantages | 33 |
| Product setup | 34 |
| Scope of delivery | 35 |
| Mounting bracket | 36 |
| Colours | 37 |
| Accessories | 38 |
| Mobility Plus Package | 40 |
| Technical data | 43 |



MADE IN GERMANY



All highlights at a glance



Considerable range and smoothness

- Removable lithium-ion battery pack
- Range up to 50 km with a single battery charge
- Highly efficient and noiseless direct drive



Enjoy the speed

- Basic version 6 km/h, optionally extendable to 10 km/h, 15 km/h or 20 km/h ¹⁾²⁾
- Preselection of the maximum speed possible in 4 steps
- Dual safety with two hydraulic brakes



Mobility with style

- Integrated battery pack and internal cable routing
- Dynamic sporty frame design thanks to innovative hydroforming technology



Robust construction for more driving comfort

- Large 16" front wheel
- Good suspension thanks to thick balloon pneumatic tires
- Sturdy construction with fork and chassis
- Stand with patented swivel function when obstacles are in the way



Easy to handle

- Easy operation using two controls on the handles
- Large, colour 2.4" TFT display
- Easy docking and undocking in seconds
- With reverse gear



Individually adaptable

- Extensive colour choice
- KLICKfix® storage and bag assortment
- Varied accessory program

¹⁾ The local road traffic act is to be considered regarding the maximum speed.

²⁾ Alber and its sales partners accept no liability in the event of non-compliance with national traffic laws.



Speed up your life.





Product advantages

Speed up your life. The e-pilot is an electric add-on scooter that is easily docked to the manual wheelchair. This significantly increases the mobility and independence of the wheelchair user.

The most important product advantages at a glance

- Intelligent docking mechanism to facilitate docking and undocking the e-pilot in seconds
- Reverse gear for easy maneuvering
- Traction assist on a smooth surface for safe starting
- Large operating range thanks to the modern lithium-ion battery pack allowing a range of up to 50 km
- Integrated cruise control function for comfortable driving on longer journeys
- Superior driving characteristics thanks to noiseless and efficient direct drive
- Large front wheel for easily overcoming curbs or uneven ground surfaces
- Two hydraulic brakes for dual safety
- Great flexibility through individual mounting on most manual wheelchairs

Wheelchair recommendations

- Folding wheelchairs, preferably with double cross brace, also with swing-away legrests
- Active wheelchairs (with rigid or folding frame)

The flexible mounting system allows to be combined with a variety of wheelchairs. Optional available reinforced manual wheels and wheelbase extension are recommended.

Compatibility checking

Determine the following to ensure that the existing wheelchair can be combined with e-pilot: Wheelchair manufacturer, exact model, seat width, seat depth, seat height (measured at the lower edge of the seat front cover), lower leg length and type of leg rests.

If you have questions regarding a specific wheelchair model, please contact our Customer Service with the details by calling +49 7432 2006-230 or by e-mail to csexport@alber.de. Easiest way is to do the check yourself 24/7 in our Dealer Information Pool (www.dip.alber.de/en).

Our quality promise - Your safety

Seal of approval and testing institute



TÜV Süd, Hanover

CE conformity



complies with the European Medical Device Regulation (MDR) 2017/745

As per application class

Class A (Indoors)

Class B (Indoors and outdoors)

Class C (Outdoors)

Awards



Focus Open 2018 Gold



GERMAN DESIGN AWARD WINNER 2019



The battery pack

Elegantly integrated and theft-proof with key lock.
Up to 50 km range, 5 LED capacity display.

The drive wheel

Noiseless, efficient direct drive with thick balloon tires for good suspension.

The bracket

Is attached to the seat tube of the wheelchair, removable middle strut, and the wheelchair remains foldable.

The stand

With large wheels for easy docking and undocking as well as patented swiveling function for obstacles.

Picture: Standard version with design colour white silk matt



The display

Detachable 2.4" colour display with clear display indicating battery capacity, speed and tour data.

The charger socket

Standard with USB socket for charging your smartphone.



The brakes

Equipped as standard with two strong and easily adjustable hydraulic brakes.

The throttle

Setting the speed

The control element 1

Easy control of light and horn.

The control element 2

Easy control of ON/OFF, Menu, Speed selection/ Reverse gear and Tour data.



Drive unit

- Innovative and elegant hydroforming aluminum frame
- Integrated battery holder with lock
- Cables and wires in the frame
- Button for ON/OFF, Menu, Speed selection/Reverse gear, Tour data
- Button for horn and light
- Brake lever left and right, hydraulic
- Stand with patented swivelling function for easily overcoming obstacles
- USB socket for charging a smartphone
- Basic colour black, design colour white silk matt (for further colours see page 10)
- Traffic approved lighting



Drive wheel

- Gearless motor, therefore noiseless, and maintenance free
- Motor with 250 watts (constant) and 650 W (peak)
- Disc brake 203 mm with two hydraulic calipers
- Balloon pneumatic tires 16"
- Preselection of maximum speed in 4 steps, reverse gear

Brake by



Battery pack

- Auto contacting, quick-release battery pack
- Range up to 50 km (depending on the ground surface, the weight of the user, temperature, wheelchair settings and terrain)
- Weight: only 2.9 kg
- Battery can be charged in the installed or removed state
- Optionally available spare battery pack for even more range



LCD

- Easy to remove and attach by twist-lock
- TFT full colour display with indicator for speed, battery capacity, drive mode, driving mode and tour data
- Other functions can be selected via the menu



Automatic battery-charger

- Electronic charging and switch-off mechanism
- Charging time of an empty battery approx. 4 hours



Wheelchair installation kit

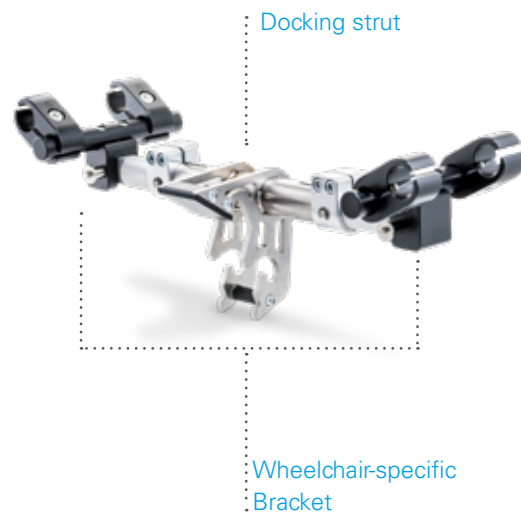
- Mechanical connection of the e-pilot to the manual wheelchair.
(Please order, if not already installed to wheelchair)
- Flexible attachment to most wheelchairs
- The bracket for the e-pilot consists of the following parts:
 - docking strut
 - wheelchair-specific bracket

Docking strut

- This is adaptable to the wheelchair in width and angle.
- The docking strut can be easily removed via two quick-pins.
The wheelchair remains foldable and there is less weight on the wheelchair.

Wheelchair-specific bracket

- This consists of eight clamps, two straps and two holders.
These parts are specially adapted to the wheelchair and remain on the wheelchair. The bracket has a weight of 700– 900 g, depending on the wheelchair properties.



Colour options

Individual appearance through a wide range of design colours. Frame colour is black. Colour panels on the side frame and fork are white as standard or choose among a variety of colours.

Colour choice for colour panels:

- 4 Glossy signal colours
- 6 Matt metallic colours



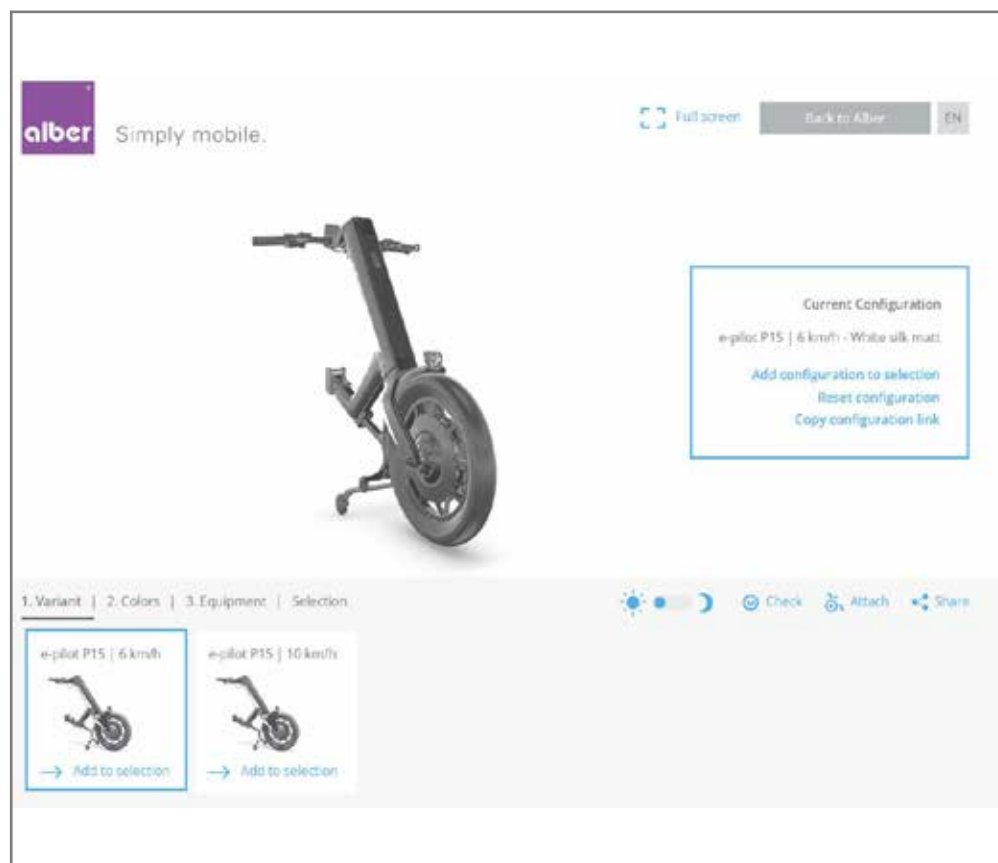
* Colours shown may differ from the original due to printing deviations. We reserve the right to change colour selection according to availability.

click here:

<https://e-pilot.alber.de/en/viewer/e-pilot/>



e-pilot Online-configurator



Thanks to the 3D configurator the end user can put his e-pilot together individually. You can use this innovative sales tool and recommend it to your customers. Find the configurator on our website (add-on scooter - e-pilot).



KLICKfix® Front base holder

- Mounting prepared on the frame, base holder can be retrofitted at any time
- For holding Shopping bag or Vario carrier
- Adapter suitable for further KLICKfix® accessories with steering adapter
- Battery pack can be removed even with the base holder mounted
- When combining additional weights with other accessories on the handlebars, such as bags, the stability of the stand may be impaired when free-standing.



Shopping bag

- **Compatible with the KLICKfix® front base holder**
- With aluminum frame for easy loading
- With zipper, dimensionally stable by stiffening struts
- Dimensions 35 x 28 x 26 cm
- Payload up to max. 15 l or 5 kg
- When combining additional weights with other accessories on the handlebars, such as bags, the stability of the stand may be impaired when free-standing.



KLICKfix® rear base holder

- Mounting prepared on the frame, base holder can be retrofitted at any time
- Combination with front base holder possible
- For holding compact bag and bottle holder
- Adapter suitable for further KLICKfix® accessories with mini-adapter
- When combining additional weights with other accessories on the handlebars, such as bags, the stability of the stand may be impaired when free-standing.



Compact bag

- Suitable for KLICKfix® rear base holder
- With two compartments, zipper
- Colour black
- Dimensions 11 x 19 x 9 cm
- Payload up to max. 2 l or 1 kg



Bottle holder

- Suitable for KLICKfix® rear base holder
- Colour black
- For bottles with a diameter of 30 – 60 mm
- Payload up to max. 1 kg



Flight Battery

- Authorised for air travel according to IATA (capacity under 300 Wh)
- 36 V, 281 Wh, weight 2.8 kg



Supernova front light

- Double light output compared to standard lighting
- Robust design aluminum housing
- Extra bright with 205 lumens
- Parking light up to 5 minutes after switching off



Tail light for push handles

- Battery operated (2 x AAA)
- Running time up to 50 hours
- Includes adjustable rubber band for attachment to the push handles
- Double-sided attachment recommended



Rear mirror

- For fixing to the handlebar left
- Not compatible with option throttle left
- Easy to fit and adjustable
- Foldable for space-saving parking
- Easy to retrofit



Throttle handrest

- Fatigue-free operation of the throttle
- Easy mounting via clamping bracket
- Easy to retrofit



Throttle grip left

- Optional throttle grip for the left side of the handlebar
- Allows driving with limited arm/hand function on the right



Additional weights

- To increase traction and acceleration of the drive wheel
- Simple removal of the weights by means of locking bolts
- Conically shaped receptacle for firm seating of the weights
- 2.4 kg per weight in total approx. 5 kg payload (incl. mounting bracket)
- When combining additional weights with other accessories on the handlebars, such as bags, the stability of the stand may be impaired when free-standing.



Docking aid

- Docking aid for e-pilot
- Enables easy docking and undocking with one arm
- Docking aid can be folded out of the field of view via the display



Adapter for short handlebar distance

- Brings the handlebar approx. 5 cm closer to the user
- Advantageous for wheelchairs with leg supports between 70 and 80 degrees, long footrests or chairs in which the e-pilot generally has to be fitted relatively far forward
- Can be retrofitted to existing e-pilot systems at any time



Knobby tyre

- 16" balloon pneumatic tyre with medium studded profile
- Increases traction on gravel and grass



Tetra-Brake

- Ergonomically shaped hand rest
- Hand strap made of skin-friendly mesh material, which prevents the hand from slipping
- Two Magura brakes for safe braking manoeuvres
- Hand rest available for left and right
- Parking brake to prevent rolling away







General

| | |
|--------------------------|-------------|
| Weight of the person | max. 100 kg |
| Permissible total weight | max. 135 kg |
| Climbing capability | Up to 10 % |
| Braking capability | Up to 15 % |

Drive wheel

| | |
|--------------------|---|
| Size / tires | 16" / 16 x 3.00 |
| Motor power rating | 250 W |
| Motor power max. | 650 W |
| Operating voltage | 36 V |
| Max. torque | 40 Nm |
| Speed | 0.5-20 km/h Standard speed 6 km/h / or 10 km/h / up to 20 km/h |

Battery pack

| | |
|------------------|---|
| Battery cells | 36 V, 13,4 AH, leak-proof and maintenance-free, lithium-ion, 24-month warranty |
| Battery capacity | 482.4 Wh |
| Range | up to 50 km depending on the ground surface, the weight of the user, temperature and terrain |

Display

| | |
|-------------------------|--|
| Illuminated TFT display | Full colour display 2.4" with drive information, tour data (time, distance, range), bluetooth connection |
|-------------------------|--|

Control unit left

| | |
|-----------|-------------|
| Functions | Light, horn |
|-----------|-------------|

Control unit right

| | |
|-----------|---|
| Functions | ON/OFF, menu, speed select in 4 steps, reverse gear |
|-----------|---|

Further functions

Driving modes (Eco, Tour, Sport), traction assist, USB Charging adaptor (max. 1.3 A), Menu languages: DE, GB, FR, NL, IT, ES, SE, NO

Battery charger

| | |
|------------------|--|
| Input voltage | 230 V (AC), 50 Hz, automatic charging and switch-off mechanism |
| Output voltage | 45 V (DC) |
| Charging current | 4 A |
| Charging time | approx. 4 hours with an empty battery pack |

Weight

| | |
|-----------------------------------|---------|
| Total weight | 18.5 kg |
| Total weight without battery pack | 15.5 kg |
| Battery pack | 3.0 kg |
| Drive wheel | 6.5 kg |



complies with the European Medical Device Regulation (MDR) 2017/745



Dimensions

| | |
|----------------------------|--------|
| A = Total width | 560 mm |
| B = Total length | 900 mm |
| C = Total height | 950 mm |
| D = Width of battery pack | 82 mm |
| E = Length of battery pack | 443 mm |
| F = Height of battery pack | 71 mm |





e-motion®

The power-boosting add-on drive for your wheelchair.

| | |
|-------------------------|----|
| Highlights e-motion M25 | 47 |
| Product advantages | 49 |
| Product setup | 51 |
| Scope of delivery | 52 |
| Smartphone Connectivity | 52 |
| Accessories | 55 |
| Technical data | 59 |



MADE IN GERMANY



All highlights at a glance



Low weight

- Only 7.8 kg per wheel in the standard version
 - One of the lightest active add-on drives available
 - Weight reduction of 33% compared to the previous model
-



More performance

- Highly efficient motor technology
 - 40 Nm torque (30% more compared to the previous model)
 - Up to 8.5 km/h max. assisted speed*
 - Up to 25 km range thanks to the latest lithium-ion technology
 - Uses the latest reliable Bluetooth® technology to communicate with external devices
-



Individually adaptable

- Fast and intuitive programming of the driving parameters via smartphone app
 - Four predefined driving profiles
 - Easy adjustment of the sensor sensitivity for the left and right drive wheel
-



Useful drive functions

- Cruise Mode: Maintains speed with only one push* on the rim; also works on slopes and downward slopes
 - Rollback delay: Keeps the wheelchair in position on slopes and makes it easier to reposition the hands
 - Two assistance levels for indoors and outdoors
-



Wide range of accessories and options

- Four different push rim versions
- Four different tyre types
- Compact ECS remote control with battery display and two assistance levels
- Spoke cover, holder for ECS remote control and much more.

*As e-motion DuoDrive or with surcharge Mobility Plus Package and smartphone app



Power at your hands.



Product advantages

e-motion combines active mobility with therapeutic benefits. Sensors on the push rim measure the drive movement while in motion and the electric motors integrated in the wheel hubs provide the corresponding power assistance. This provides targeted relief for muscles and joints and very little strength is required to move independently with the wheelchair, especially on slopes or downward slopes. The driving behavior of the e-motion can be individually adapted to the needs of any wheelchair user in just a few easy steps.

The most important product advantages at a glance

- Fits practically all commercially available wheelchair models
- Silent, highly efficient motor technology with 40 Nm torque per wheel
- Power assistance up to 8.5 km/h*
- The standard version is one of the lightest add-on drives with only 7.8 kg per wheel incl. batteries
- High range up to 25 km
- Long battery service life thanks to the latest lithium-ion technology
- Individually adjustable sensitivity of the sensors on the push rims
- Individual adjustment of the driving parameters via smartphone app**
- Alternative selection from five pre-defined driving profiles via a free smartphone app
- Two assistance levels per driving profile***
- Additional learning mode for beginners***
- Rollback delay allows the safe handling of slopes and ramps***
- Clever additional functions per smartphone app, such as Cruise Mode* (Maintains a permanent speed even on slopes or downward slopes)

Wheelchair mounting

- Standard wheelchairs
- Light weight wheelchairs
- Active wheelchairs
- Sports wheelchairs
- Comfort wheelchairs

Only small brackets are attached to the wheelchair. This does not change the characteristics of the wheelchair. The Alber bracket system allows the use of the e-motion and the scalamobil on many wheelchairs. Manual wheelchair wheels can usually still be used.

If you have questions regarding a specific wheelchair model, please contact our Customer Service with the details by calling +49 7432 2006-230 or by e-mail to csexport@alber.de. Easiest way is to do the check yourself 24/7 in our Dealer Information Pool (www.dip.alber.de/en).

Our quality promise - Your safety

Seal of approval and testing institute



TÜV Süd, Hanover

CE conformity



complies with the European Medical Device Regulation (MDR) 2017/745

As per application class

Class A (Indoors)

Class B (Indoors and outdoors)

Class C (Outdoors)

* With Mobility Plus Package.

** Free of charge PIN-Code required (alber123)

*** Can be activated with ECS remote control or e-motion Mobility App with Mobility Plus Package

Functionality



The charger socket on the wheel ...



... serves as an on/off switch at the same time.



The wheel can be removed by pressing the button on the quick-release axle and pulling the wheel off.



Product setup

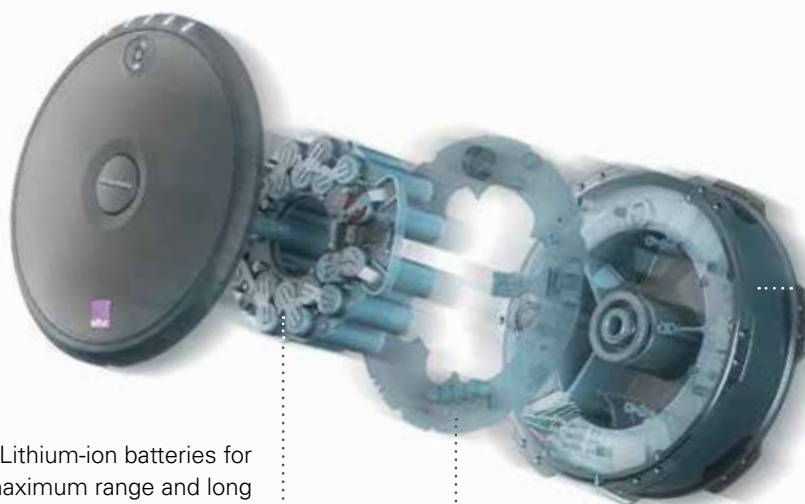
The e-motion drive wheel is simply attached instead of the manual wheelchair wheel. The battery pack is integrated in the wheel hub.



Silent drive wheel.
40 Nm torque with
A weight of 7.8 kg

Individually adjustable
sensitivity of the
Driving sensor in 7 steps

Quick and easy to
install. Wheelchair
bracket to attach the
wheels



Lithium-ion batteries for
maximum range and long
service life

The modern, highly
efficient e-motion motor
technology extracts the
maximum benefit from
the silent drive wheels
with low weight

Integrated Bluetooth®
Module for communicating
with the ECS remote control
and smartphones





Drive wheel (standard version)

- Available wheels sizes 22", 24", 25"
- 40 Nm maximum torque per wheel, 80 watt power
- 150 kg maximum user weight, maximum total system weight 190 kg Electronics and battery pack integrated in the wheel hub
- 7.8 kg per wheel (standard version 24")
- Schwalbe RightRun tyres
- Brushed stainless steel push rim
- Stub axle length 123 mm, diameter 1/2"
- Integrated Bluetooth® chip for communication with the ECS remote control and smartphones
- e-motion increases the wheelchair width by approx. 2– 4 cm, depending on the model
- The Bluetooth® connection of the drive wheels is always only possible with one device at a time



ECS remote control (Ergonomic Control System)



Bluetooth® remote control

- Switching the e-motion wheels on and off from a seated position
- Handy, ergonomic design
- The buttons are easy to operate even with little force
- Operation with two standard AAA batteries



LCD

- Clearly arranged, easy-to-read LCD display
- Reliable battery indication in 20% steps



Two assistance levels

- Selection of two individually programmable assistance levels for indoors and outdoors*



Learning mode

- Additional learning mode for beginners



Rollback delay

The drive wheels of the e-motion delay the wheelchair from rolling back on slopes and hold the position for 5 seconds to enable relaxed repositioning of the hands

* The driving parameters for each assistance level can be programmed via the professional section of the e-motion mobility app.

Automatic battery-charger (included in scope of delivery)



- Magnetic contacting of the charging plug with the charging socket on the e-motion wheels
- Charges both e-motion wheels at the same time
- Automatic adaptation to the mains voltage (100 - 240 V)
- Removable power cable
- Electronic charging and switch-off mechanism
- Charge status is indicated by the LEDs on the e-motion wheel and on the battery charger
- Battery charging time approx. 6 h





E-MOTION® duo drive

With the e-motion DuoDrive, you have the option of covering longer distances without pushing on the push rim in Cruise Mode. You only have to steer via the push rims, the drive unit does the rest. This means that you have two types of drive that you can switch between at any time, depending on your needs. And it's easy to do with the wireless DuoDrive control unit.

Product advantages

- Cruise mode is particularly beneficial when
 - you run out of power and get tired on the road. The e-motion DuoDrive always brings you home safely.
 - you have to manage slopes. The e-motion DuoDrive can handle almost any slope and you can reach your target relaxed in Cruise Mode.
 - you are unsure on downward slopes and would like to have a brake assistant that maintains a preset speed.

Technical data

- Range e-motion DuoDrive in cruise mode up to 15 km, up to 25 km in operation with residual power assistance
- Battery range of control unit approx. 10-12 hours
- Top speed 6 km/h or 8.5 km/h depending on the Mobility Plus Package
- Maximum uphill/downhill gradient in cruise mode 10%.
- Weight of control unit 0.25 kg
- Control unit holder available for all current wheelchair models



One click on the control unit is all it takes to switch to Cruise mode while driving.



With the cruise mode, you also have one hand free. Ideal when shopping or travelling.



Added value from smart phone connectivity – the e-motion mobility app

Thanks to the latest Bluetooth® technology, the e-motion M25 can connect to almost any iOS or Android smartphone. This allows a wide range of additional functions and possibilities that significantly expand the benefit and application spectrum of the e-motion. Data exchange is encrypted and certified according to ANSI C63.27-2017 (Wireless Coexistence). The mobility app is the starting point for communicating with the e-motion and is available free of charge from the Google Playstore and Apple Appstore. The functions of the mobility app are divided into three different access areas:



Professional section for the specialist dealer or therapist (free of charge)

- In the professional section, the driving parameters of the e-motion can be individually set for each wheelchair driver: maximum assistance speed, maximum torque, sensor sensitivity, and start and stopping behavior
- The mobility app can be activated for extended programming of the e-motion with a free PIN code (see therapist information)



Customer section (free of charge)

- Option of five pre-defined driving profiles (standard, sensitive, soft, active).
Attention: After programming the driving parameters in the professional section, the pre-defined driving profiles are no longer available
- Battery status display, speed and travelled kilometers
- Recording and managing of tours using GPS tracking
- Automatic discharge of batteries for storage or for air travel
- Dealer search, contact option with the Alber Service
- Display of detailed error messages with hints and remedies



Customer section with Mobility Plus Package
(subject to charge)



- The Mobility Plus Package activates a wide range of clever additional functions in the e-motion mobility app to get even more benefits from the e-motion
- The Mobility Plus Package can be ordered and paid directly from the Appstore for iOS and the Playstore for Android (In-App purchase)

- The purchase price for the Mobility Plus Package is EUR 299.99 incl. VAT*
- Each of the functions listed on this page can also be acquired separately as In App purchase. The price saving on purchasing the overall Mobility Plus Package compared to purchasing each individual function is EUR 59.95*
- The complete Mobility Plus package can be tested free of charge for 30 days.



SPEED

- Increases the maximum assistance speed from 6 km/h to 8.5 km/h

Price: € 99.99*



CRUISE

- Works in a similar way to the cruise control of a car: Ideally suited for longer rides along level ground, pushing a shopping cart or a luggage trolley
- It is activated by a single push above 2 km/h and maintains this speed without additional pushing
- The speed can be increased at any time by additional pushes on the push rim or in the app
- Also works on slopes and downward slopes.

Price: € 99.99*



REMOTE

- Remote control of the unoccupied wheelchair using a smart phone, e.g. to "repark"
- Controlled via built-in inclination sensor of the smart phone or with a virtual joystick in the app.

Price: € 39.99*



ECS

- Depicts the functions of the ECS remote control
- Convenient switching on and off of the e-motion wheels from a seating position
- Selection of two assistance levels plus learning mode
- Activating the rollback delay

Price: € 99.99*



PUSH-COUNTER

- Records the amounts of pushes during a tour
- Monitors the driving behaviour and optimises it

Price: € 9.99*

- * German list price. Prices may differ from country to country. Subject to alteration of prices.



Bracket for the wheelchair

- Required for docking the e-motion wheels on to the wheelchair
- Discreet, weight-optimized design
- Numerous attachment options – fits practically all conventional wheelchairs
- Easy to fit
- Manual wheelchair wheels can still be used alternatively



Anti-tippers with swivelling and jack-up function

- Removable via quick-release device
- Jack-up function for easy removal of the wheels
- With automatic swivelling function for crossing curbs and thresholds
- Adjustable height and length
- Anti-tippers must be mounted in pairs



Schwalbe Marathon Plus tyres

- Available for all 24" and 25" wheels
- Perfect compromise between high grip and low roll resistance
- Particularly durable rubber mixture
- With patented SmartGuard puncture protection



Puncture-proof tyre 1" " Pro Speed (PU solid)

- Available for 24" wheels
- Prevents air loss and flat tyres
- Optimized roll resistance
- Traction and damping comfort are limited compared to pneumatic tyres
- Additional weight per wheel approx. 300 g



Puncture-proof tyre 1 3/8" (tyre with inlay)

- Available for 22" and 24" wheels
- Puncture protection with suspension and comfort
- Prevents air loss and flat tyres
- Speziell auf die e-motion Antriebsräder abgestimmt
- Additional weight per wheel approx. 500 g (for 24" wheel)



Spoke cover (plain/printed)

- Available for 24" and 25" wheels
- Protection from turning drive wheel
- Printed with "Sphere" motive
- Plain model (transparent) only available for 24" wheels



Spoke cover for children (printed)

- Available for 22" wheels
- Protection from turning drive wheel
- Printed with "Comic" motive



Coating for push rims

- Available for 22" and 24" wheels
- For wheelchair users with limited hand functions
- Increases the grip
- Completely coated (PVC) and thereby prevents slipping
- Additional weight per wheel approx. 250 g



- Optionally available for 22", 24" and 25" wheels:
Retrofitting push rim cover consisting of rubber (600 g)



Carbolife "Curve L" push rim

- Available for 24" and 25" wheels
- Patented L-profile form with maximum gripping surface for hands and thumbs
- Stabilizes the wrist and ensures ergonomic posture
- Precise wheelchair handling and braking
- Ensures optimum power transmission and low fatigue when in use
- Black powder-coated
- Approx. 200 g lighter in comparison to stainless steel push rims



Carbolife "Quadro" push rims

- Available for 24" wheels
- Special profile for tetraplegics with very limited hand and triceps function
- Optimized gripping surface for effortless motion and braking
- Maximum grip due to a special anti-slip coating (Attention: Increased friction during braking)



Magnetic holder for ECS remote control

- For attaching the ECS remote control to the wheelchair
- ECS remote control is automatically docked on using a special magnetic mechanism
- Makes ECS remote control handling easier especially if hand functions are limited



Stub axle for transport

- Secure transport and storing, protects the push rims and sensors when transporting in a car or during air travel
- Prevents the wheel from switching on/off by accident



Ergonomic stub axle

- Facilitates unlocking and removing the e-motion wheels from the wheelchair
- Can be easily employed without tools instead of the standard stub axle



Drive wheel M25

| | |
|---------------------------------|--|
| Size | 22", 24" and 25" |
| Speed | Support 0 – 6 km/h (up to 8.5 km/h with Mobility Plus Package) |
| Torque | 2 x 40 Nm |
| Motor power rating | 2 x 80 W |
| Operating voltage | 36.5 V |
| Operating temperature | -25 to +50 °C |
| Protection class | IPX4" |
| Climbing and braking capability | The limit values of the wheelchair manufacturer are to be observed |

Battery pack

| | |
|--------------------------|---|
| Battery cells | Lithium-ion battery, rechargeable, leak proof and maintenance-free |
| Nominal battery capacity | 2 x 4.2 Ah |
| Nominal battery power | 2 x 150 Wh = 300 Wh |
| Charging temperature | from 0° C to 40° C |
| Range | 25 km (15 km in Cruise Mode) The range will vary according to the terrain as well as the prevailing running conditions. The stated range can be achieved with optimal running conditions (even terrain, freshly charged batteries, ambient temperature of 20 °C, optimal tyre pressure, steady driving, etc.). |

Transportation by air

All Alber products are suitable for transportation by air.
At www.alber.de you will find all the current certificates for presenting to the airline.

Battery charger

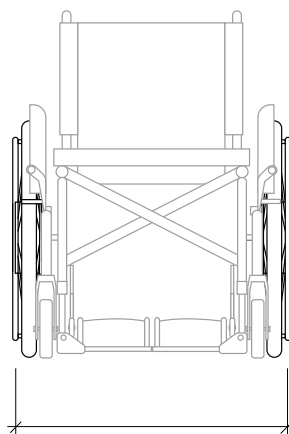
| | |
|------------------|---|
| Input voltage | 100 – 240 V (AC), 50 – 60 Hz, automatic adaption to the mains voltage, electronic charging and switch-off mechanism |
| Output voltage | 2 x 48 V (DC) |
| Charging current | 2 x 1 A |
| Charging time | approx. 6 h |
| Protection class | IP31 |
| Weight | 1.2 kg |

Weight

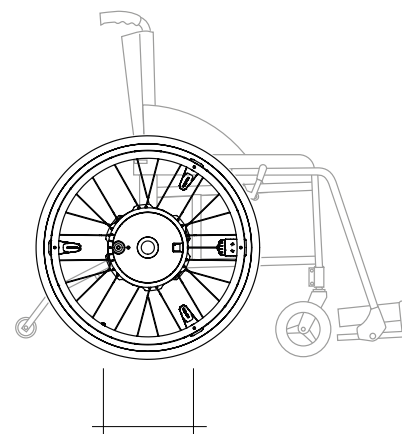
| | |
|------------------------|---|
| Total weight per wheel | 78 kg each incl. battery pack (standard version) Max. permissible user weight: 150 kg Permissible total weight: 190 kg (person, drive unit, wheelchair) |
|------------------------|---|



complies with the European
Medical Device Regulation (MDR) 2017/745



(wheelchair width + 2 - 4



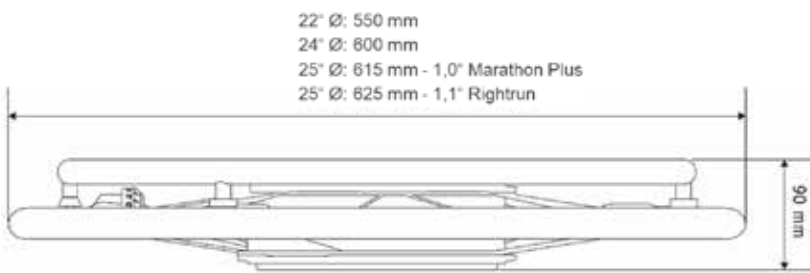
Wheel hub diameter 22 cm



Overview functions of our e-motion product family

| | e-motion without accessories | e-motion with ECS remote control | e-motion DuoDrive | Free Mobility App | Mobility Plus Package |
|--|------------------------------|----------------------------------|-------------------|-------------------|-----------------------|
| Driving with amplified push | x | x | x | | |
| Separate display for battery of both drive wheels | | x | x | x | |
| Choice of pre-set driving profiles (no switching between 2 assist levels possible) | | | | x | |
| Switching between 2 assist levels for indoor and outdoor driving | | x | x | | x |
| Driving in Cruise Mode (no pushes on the rim required) | | | x | | x |
| Activation of Rollback Delay on inclines | | x | | | x |
| Driving with a higher speed (8,5 km/h instead of 6 km/h) | | | | | x |

Available wheel diameters e-motion



Distance rim to pushrim

| Pushrim | Distance |
|----------------|----------|
| Standard | 23 mm |
| Coated (Tetra) | 22 mm |
| Curve L | 15 mm |
| Quadro | 23 mm |

Maximum wheel camber incline

When using e-motion wheels, the maximum permissible wheel camber incline (see following table) must be observed depending on the weight of the person.

| | Wheel camber | Wheel size 22" | Wheel size 24" | Wheel size 25" |
|---------------------------|--------------|----------------|----------------|----------------|
| Max. weight of the person | 1°-fall | 125 kg | 150 kg | 150 kg |
| Max. system weight | 1°-fall | 165 kg | 190 kg | 190 kg |
| Max. weight of the person | 3°-fall | 80 kg | 100 kg | 100 kg |
| Max. system weight | 3°-fall | 120 kg | 140 kg | 140 kg |
| Max. weight of the person | 6°-fall | 60 kg | 60 kg | 60 kg |
| Max. system weight | 6°-fall | 90 kg | 100 kg | 100 kg |
| Max. weight of the person | 9°-fall | 40 kg | 40 kg | 40 kg |
| Max. system weight | 9°-fall | 70 kg | 80 kg | 80 kg |



smoov[®]

The flexible power booster
for your active wheelchair.

| | |
|--------------------|----|
| Highlights | 61 |
| Product advantages | 63 |
| Product setup | 64 |
| Scope of delivery | 65 |
| Mounting bracket | 66 |
| Technical data | 68 |



MADE IN GERMANY 



All highlights at a glance



Dynamically en route

- Basic version 6 mph, optionally extendable 10 km/h through the SMOOV mobility app
 - Active, swift handling thanks to the swivelling drive wheel
 - Tilted driving with docked on drive is possible
 - slope up to 16 %
-



High Range

- Range up to 20 km with one battery charging thanks to a highly efficient direct drive combined with state-of-the-art lithium-ion technology
-



Low weight

- With 7,2 kg weight, SMOOV one is one of the lightest active drives on the market
-



Discreet attendant

- Small, discreet drive unit under the wheelchair
 - Modern and decent design
-



Easy to handle

- Intuitive docking and undocking of the drive and control unit
 - Easy to use via ergonomic, wireless control unit
-



Minimum adjustments to your wheelchair

- Small, decent bracket for drive and control unit
 - Wheelchair can still be used manually
-



Individually adaptable

- Personal settings and extension of the functionality via the SMOOV Mobility App



SMOOV one.

Be fly.





Product advantages

The SMOOV one is an electric power assist drive unit for active wheelchairs which significantly increases the driver's mobility and flexibility.

The most important product advantages at a glance

- Decent design
- Swivelling drive wheel for dynamic driving
- Very agile, turns even on the spot
- Powerful and efficient drive
- Tilted driving also possible with SMOOV one
- Intuitive docking and undocking of drive unit and control unit
- Simple handling via ergonomic, wireless control unit
- Personal settings and extension of the functionality via the SMOOV Mobility App
- Attachable to most active rigid and folding frame wheelchairs

Wheelchair recommendations

SMOOV is attached to rigid frame wheelchairs by installing a bracket on the axle tube for the drive unit and a bracket on the leg rest tube for the control unit. The bracket for the control unit must be mounted at a distance of 310 mm from the floor to the top edge of the bracket. When combining SMOOV with folding wheelchairs, an adapter axle is clamped between the stub axles.

The SMOOV one can be combined with folding wheelchairs with a wheel camber of up to 3°.

Compatibility checking

Please determine the following information to ensure that the wheelchair is compatible with SMOOV one: wheelchair manufacturer, exact model name, seat width and seat height in the case of rigid-frame wheelchairs. For folding wheelchairs, the dimension between the stub axles (measured inside) is also necessary.

If you have questions regarding a specific wheelchair model, please contact our Customer Service with the details by calling +49 7432 2006-230 or by e-mail to csexport@alber.de. Easiest way is to do the check yourself 24/7 in our Dealer Information Pool (www.dip.alber.de/en).

Our quality promise - your safety

Seal of approval
and testing institute



TÜV Süd, Hannover

CE-Conformity



complies with the European Medical Device Regulation (MDR) 2017/745



Focus Open 2015
Gold



Drive unit



Control Unit





Drive unit

- Decent high-quality design
- Robust, rustproof housing and rustproof fork
- Integrated lithium-ion battery pack for a range of up to 20 km
- Powerful drive for a maximum speed of up to 10 km/h
- Pushbutton for on/off and display to indicate remaining capacity and operating status
- Ergonomic carrying handle
- Magnetic charging socket „Easy Connect“
- USB-C socket for charging the control unit or smartphone



Control unit

- Large and ergonomic turning wheel for speed selection and on/off
- Integrated LED display to show remaining capacity and operating status of the drive and control unit
- Integrated lithium-ion battery cell for an operating time of approx. 20 hours



Charger

- Small, handy charger
- Automatic charging and switch-off
- Multi-range charger 100-240 V, 50-60 Hz
- Charging time of an empty battery approx. 6h



Charging cable

- For charging the control unit on the drive unit
- USB-C to USB-C
- Length approx. 0.5 m



SMOOV Case

- Modern and robust design
- Wide opening and individual cut-outs for the SMOOV parts
- With carrying handle and strap for easy handling
- Backside with anti-slip coating for transport on legs
- Measures: 42 x 38 x 17 cm



Mobility App

- The smart extension for the SMOOV one
- For Smartphones with Android or iOS
- Download via Google Play or App Store
- Data exchange is encrypted and certified according to ANSI C63.27-2017 (Wireless Coexistence)

Free of charge functions:

- Cockpit: battery capacity, speed, range and selection of drive mod
- Tour computer
- Settings for drive unit, control unit and Mobility App
- Diagnosis: Information on warning and error messages
- Performance: This function allows the adjustment of the angle for switching-off the assistance from 35° to 55°.

Optional features to upgrade SMOOV one:

- Speed: This function increases the maximum speed from 6 km/h to 10 km/h
- AutoSpeed: This function allows you to adopt a speed achieved by manually accelerating over the pushrims.



The SMOOV Mobility App:
available at Google Playstore
or App Store



MOUNTING

Mounting kit for the wheelchair

- Mechanical connection of SMOOV one to the manual active wheelchair
- Attachment to most active wheelchairs with fixed axle tube
- Consists of axle tube bracket and control unit bracket

Adapter axle

- SMOOV one can be used with most of the folding wheelchairs
- Adapter axle is attached between the stab axles,
- only compatible with 24" wheels and camber of 0° to 3
- Length of the axle depends on the dimension of the stab axle, measured inside
- The adapter axle can be easily attached and detached,
- The wheelchair remains foldable



Bracket rigid frame



control unit
bracket



Bracket folding
frame



General*

| | |
|--------------------------|-------------|
| Weight of the user | Max. 140 kg |
| Permissible total weight | Max. 170 kg |
| Climbing capability | Up to 16 % |

Drive Unit

| | |
|--------------------|-----------------------------------|
| Motor power rating | 250 W |
| Motor power max. | 450 W |
| Operating voltage | 36 V |
| Speed | 0–6 km/h (optional up to 10 km/h) |

Battery (drive unit)

| | |
|------------------|--|
| Battery cells | 36 V; 6,0 Ah Lithium-ion cells, leak-proof, maintenance-free 24 months warranty |
| Battery capacity | 216 Wh Approved by IATA for air transport |
| Range | Up to 20 km depending on the ground surface, the weight of the user, temperature and terrain |

Battery Charger

| | |
|------------------|----------------------|
| Input voltage | 100–240 V / 50-60 Hz |
| Output voltage | 48 V (DC) |
| Charging current | 1 A |
| Charging time | approx. 6 h |

Weight

| | |
|----------------------|---------------|
| drive unit | 7,2 kg |
| control unit | 250 g |
| charger | 500 g |
| bracket control unit | approx. 100 g |
| bracket drive unit | approx. 230 g |



complies with the European Medical
Device Regulation (MDR) 2017/745

* Please note the specifications of the wheelchair manufacturer also.

** May vary slightly depending on the version.



Dimensions







erivo[®]

The comfortable and foldable
electric wheelchair.

Innovations at a glance 71

Product benefits 73

Delivery contents 74

Product design 75

Accessories 76

Technical specifications 77





Seat ergonomics

- Fixed plastic seat - ideal for adding special seat cushions
- Foot supports with 3 height settings
- High backrest offers stability and comfort



Quick folding

- The erivo folds up for compact storage
- The anti-tip wheels allow it to be moved like a trolley



Drive wheel

- 12.5" drive wheel with pneumatic tires
- Optimal tires for different types of terrain
- Good at overcoming obstacles
- Integrated braking system (engine braking)



Rear wheel suspension

- Suspension for a comfortable ride over uneven ground such as gravel or cobblestones



Control panel

- User-friendly control panel with basic functions
- Speed selection, 5-segment battery display, joystick, horn
- Integrated charging socket



Transport bag

- Integrated bag on the back with fastening strap
- Light-reflecting edges for additional safety at night



- The back can be folded down to make the erivo even more compact for stowing



always at hand.



Product benefits

always at hand. The erivo is your everyday companion. It is fast, easy to stow in the trunk, and extends the range and independence of the user at home or out and about.

Key product benefits at a glance

- Up to 150 kg passenger weight load
- Compact dimensions when folded, perfect for transporting in the trunk
- Two-colour paintwork offers a sporty, contemporary design
- Frame made from robust die-cast aluminum
- Comfortable chassis with suspension on the drive wheels
- Simple control panel, intuitive operation
- Universal use – Class B product for indoors and outdoors
- High mobility with excellent handling characteristics even in small spaces
- Intelligent electronics and service diagnosis via LiNX Access from Dynamic Controls

Our quality assurance – your safety

Tested by TÜV Süd, Hanover in accordance with ISO 12184:2014

CE-compliance



Complies with the European Medical Device Regulation (MDR)

Device class

Class A
(indoors)
erivo R10

Class B
(indoors and
outdoors)
erivo pro R11

Class C
(outdoors)

Function



Switch with ease to manual operation. Disengage the wheels using the red lever...



... and simply push the system using the padded handle.



erivo R10 / erivo pro R11

- Sporty, dynamic & contemporary design
- Large 12.5" suspension tires, standard with pneumatic tires, optional with puncture-proof tires
- 2x high performance motors, 250 W each
- Smart folding technology with locking mechanism
- Fixed seat for ergonomic sitting comfort
- Arm rests can be tilted up to make transfers easier to manage
- Swivel arm to move the control panel
- Swivel leg supports with 3 height settings
- Power module: LiNX DLX-PM60C
- Practical bag on the back with closing flap
- Foam-covered push bar



Control panel, LiNX DLX-REM-60A

- Clear and simple control panel with joystick
- Variable speed adjustment from 1.5 – 6 km/h
- 5-segment battery display
- Horn
- Charging socket



R10 battery pack

- High-performance lithium-ion cells for long battery life
- Range up to 17 km with 11.0 Ah battery pack (depending on terrain, passenger weight, temperature, wheelchair settings and topography)
- Easy to take out and put back in
- Weight: just 2.4 kg
- Integrated carry handle
- Optional: 30.15 Ah battery pack with up to 35 km range (Series for version pro R11)
- The battery pack can be charged in the wheelchair or separately
- Charging time: 11 Ah battery pack approx. 6 hours (2A charger)
30 Ah battery pack approx. 6.5 hours (6A charger recommended)



Charger

- Electronic charge and switch-off mechanism
- Automatic adaptation to mains voltage (100 – 240 V)
- 6A charger. Warning: Only suitable for the 30.15 Ah battery pack (Series for version pro R11)
- 2 A Charger for 11,0 Ah battery pack



Compact folding

The erivo can be folded together in no time. When folded, the erivo can simply be stored in a corner or in the trunk.



The folding mechanism

To fold the erivo, simply pull on the red locking lever located underneath the seat on the right. As you pull the locking lever upwards, pull the seat and backrest together.

Simply compact

When folded, the erivo is approximately the size of a suitcase. This means the erivo can easily be stowed in a car trunk or tucked away in a corner if it is not needed at home.





Lighting set

- Delivery contents for the erivo pro R11 include
- 45 LUX lamps
- Splash-proof IPX4
- Operation time approx. 6.5 hours
- Switch-on protection: Double click to switch on
- The front and back lights can be charged via a USB cable on the PC or a smartphone mains adapter (mains adapter not included in delivery contents)
- Consisting of 2x front lights, 2x back lights, 1x USB charging cable



Cane holder

- Safe transportation of walking stick or crutches
- Cane holder incl. strap



Optional 30.15 Ah battery pack

- Battery pack with up to 35 km range (Series for version erivo pro R11)
- Charging time: 30 Ah battery pack approx. 6.5 hours (6A charger)



Attendant control

- Simple and ergonomic operation by an attendant
- Variable speed from 1.5 – 6 km/h
- Attendant control becomes active when the system is switched to attendant control



| System | R10 | pro R11 |
|------------------|--|--|
| Load | 150 kg | 150 kg |
| Range | 17 km | 35 km |
| | depending on terrain, passenger weight, temperature and topography | |
| Nominal gradient | 6° (10.5%) | 6° (10.5%) |
| Speed | 1.5–6 km/h | 1.5–6 km/h |
| Protection class | IPX4 (splash-proof) | IPX4 (splash-proof) |
| Lighting | - | 2x front lights 2x back lights 2x white front reflectors |
| Device class | Type class A | Type class B |

Components

| | | |
|-------------------|---|---|
| Motors | 2x 250 W, 24 V, 140 r/min, IP44 | 2x 250 W, 24 V, 140 r/min, IP44 |
| Control panel | LiNX DLX-REM-60A Speed pre-selection, horn, battery capacity display, error display | LiNX DLX-REM-60A Speed pre-selection, horn, battery capacity display, error display |
| Power module | LiNX DLX-PM60C (Attendant control can be retrofitted) | LiNX DLX-PM60C (Attendant control can be retrofitted) |
| Attendant control | LiNX DLX-REM-50A | LiNX DLX-REM-50A |
| Drive wheel | 12.5" (pneumatic tires 2.8 bar) | 12.5" (pneumatic tires 2.8 bar) |
| Front wheels | 8" (solid rubber) | 8" (solid rubber) |

Battery pack

| | | |
|-----------------------|--|--|
| Cell type | Lithium-ion cells, leakproof and maintenance-free | Lithium-ion cells, leakproof and maintenance-free |
| Capacity | 11.00 Ah, 284.9 Wh | 30.15 Ah, 759.8 Wh |
| Voltage | 25.9 V | 25.2 V |
| Operating temperature | -25°C to +50°C | -25°C to +50°C |

Charger

| | | |
|------------------|---|---|
| Charging current | 2A | 6A |
| Input voltage | 100–240V AC, 50–60Hz, 1.2–0.5 A, automatic adjustment to the mains voltage, charge and switch-off mechanism | 100–240V AC, 50–60Hz, 2.5 A, automatic adjustment to the mains voltage, charge and switch-off mechanism |
| Output voltage | 24 V | 24 V |
| Charging time | approx. 6 h | approx. 6.5 h |
| Protection class | IP54 | IPX1 |

Weight

| | | |
|--------------------------------|------------------------|-------------------------|
| Weight without battery pack | 27.2 kg | 27.2 kg |
| Battery pack | small (11.0 Ah) 2.4 kg | large (30.15 Ah) 4.6 kg |
| System with battery pack | 29.6 kg | 31.8 kg |

Dimensions

| | | |
|-----------------|--------|--------|
| Seat width | 45 cm | 45 cm |
| Seat depth | 47 cm | 47 cm |
| Seat height | 51 cm | 51 cm |
| Backrest height | 45 cm | 45 cm |
| Total length | 105 cm | 105 cm |
| Total width | 62 cm | 62 cm |

scalamobil®

The mobile aid for simple and safe stair climbing.

| | |
|------------------------|----|
| Product Benefits | 80 |
| Product configuration | 82 |
| What's included | 83 |
| Accessories | 85 |
| scalacombi S46 | 87 |
| scalachairX3 | 88 |
| scalaport X7 | 90 |
| Overview stairclimbers | 91 |
| Technical data | 92 |



MADE IN GERMANY 



Down the stairs.
Up the safety.



Product benefits

With the scalamobil, wheelchair users regain the flexibility of climbing stairs while seated comfortably in their wheelchair. The scalamobil can be combined with most commercially available wheelchair models and can be docked and undocked from the wheelchair in a few simple steps using a lightweight, inconspicuous bracket. The integrated sensors make operation easier, guarantee maximum safety and ensure a smooth, shock-free climbing process.

Our new stairclimbing aids have been given a subtle facelift aimed mainly at durability. Apart from a modernised user interface, the colour scheme was adapted. The upgrade focuses on improved functions and a user-friendly design.

The latest scalamobil generation is equipped with smart sensor functions that can on demand automate the climbing process, ensure safe operation and avoid potential operator mistakes. Three distance sensors recognise the edge of a step and measure the height of each step in realtime, so climbing upstairs and downstairs can only start if conditions are safe.

In addition, a position sensor is installed that captures the holding angle and gives the operator clear instructions to achieve a safe holding angle with minimum effort.

The key product benefits at a glance: Safety and convenience for wheelchair users

- Overcome stairs at home without conversion of your house
- Works on tight spiral staircases up to a stair height of 20 cm
- Safe and effortless operation thanks to ErgoBalance grips, adjustable grip width and height
- Fits most wheelchairs using Alber brackets
- Docking to the chair without tools
- Quickly comes apart into three pieces for transport
- IQ function with safety sensors: Works on all non-transparent or reflective stair coverings
- Patented Softstep function without programming: smooth stair climbing thanks to electronic control of climbing speed depending on the step height in real time
- Clear display with indicator of holding angle and battery status information in 20% increments
- Integrated emergency stop function according to the latest ISO standard

Easy stowage – simply dismantle for transport.





Function:

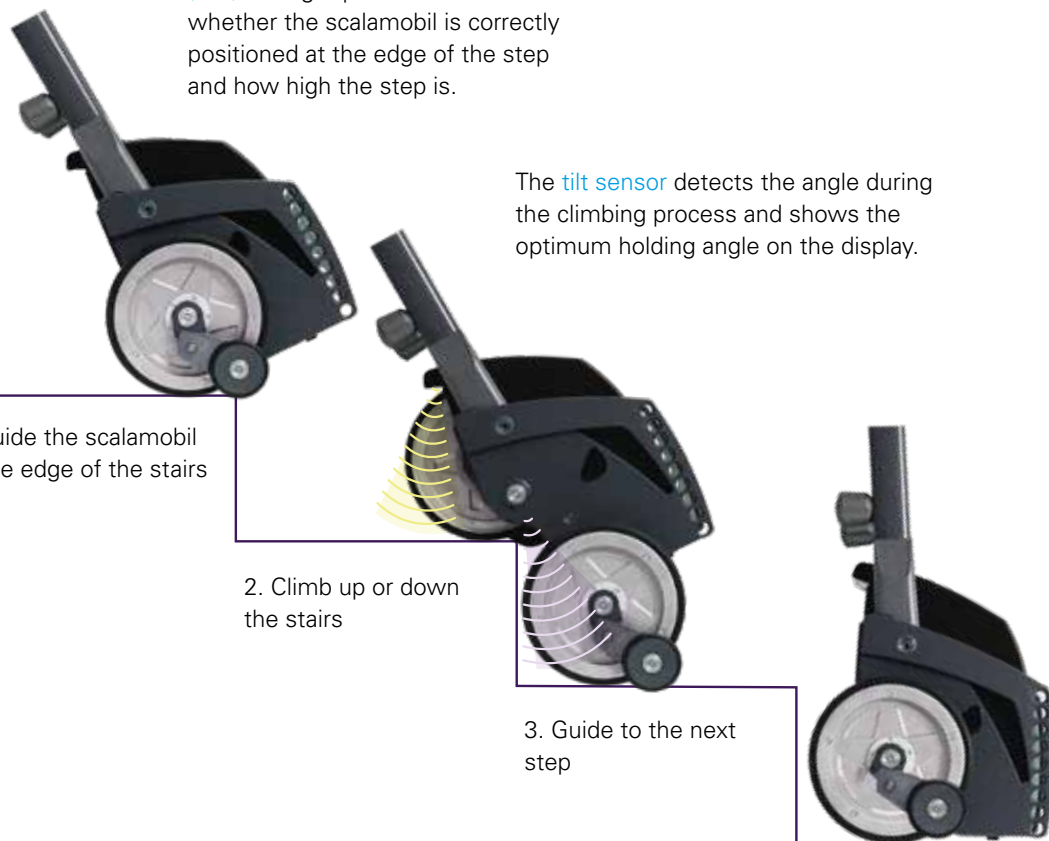
3 integrated **time-of-flight sensors (ToF)** use light pulses to measure whether the scalamobil is correctly positioned at the edge of the step and how high the step is.

The **tilt sensor** detects the angle during the climbing process and shows the optimum holding angle on the display.

1. Guide the scalamobil to the edge of the stairs

2. Climb up or down the stairs

3. Guide to the next step



Wheelchair attachment

- Standard wheelchairs
- Active and lightweight wheelchairs
- Nursing and multi-functional wheelchairs
- Wheelchair for hemiplegic patients
- Children's wheelchairs
- Transport chairs for ambulance services

One requirement for using a scalamobil is having quick-release axles. Alber will be happy to convert wheelchairs without quick-release axles.

Some wheelchair manufacturers offer special frames with an integrated bracket for the scalamobil. Our customer service will gladly answer your questions about regarding wheelchair compatibility with the scalamobil.

On our dealer information pool at dip.alber.de/en, you can check all wheelchair models compatible with the scalamobil.

Sensors:

- Monitoring of holding angle
- Dynamic SoftStep without programming
- Automatic detection of the climbing direction (Auto driving mode)
- Start release. Start of climbing when system is positioned correctly on the edge

Our quality commitment – your safety

Test seal and institute



TÜV Süd, Hannover

Conformity



CE-conformity according to the European Medical Devices Regulation (MDR) 2017/745

Product application class

- Class A (Indoor) Class B (Indoor and outdoor) Class C (outdoor)

Other tests

Clinical assessment



ErgoBalance grips, height and width individually adjustable – for safe and effortless operation.

The scalamobil is easily docked to the wheelchair in a few simple steps.

Patented climbing mechanism with distance sensors and safety brakes:

- Integrated IQ function for particularly smooth and safe stair climbing
- Simple docking of the scalamobil to the wheelchair

Additional functions:

- 3 drive modes: Auto, Assist, Manual
- 5 segment battery display
- Clearly recognisable emergency off switch

scalamobil fits nearly all manual wheelchairs. To attach it, a special **bracket** is installed on the existing wheelchair, into which the scalamobil is inserted when needed.

Automatic locking of the upper bolts when docking the wheelchair without need of bending down and handling the locking pins.





Grip unit/switch

- Drive switch (combines direction and start signal)
- Emergency off switch (hands can stay on the grips)

ErgoBalance grips developed by specialists for a safe grip and minimal force

- Soft padding at particularly heavy-load areas
- Ergonomic control switch, also suitable for longer climbs
- SoftTouch comfort padding on the back of the control unit for placing on the thigh
- Left and right handles can be adjusted separately in width to adapt to narrow stairwells or to the height of the operator.
- Seamless height adjustment of the grip unit.



Display with various functions

- Indication of holding angle:
 - Green: ideal angle
 - Yellow: acceptable angle
 - Red: unsafe angle
- Further status information:
 - Left: drive modes (Auto, Assist, Manual).
 - Right: main switch, immobiliser, obstacle mode.
- 5 segment battery display in increments of 20%



obstacle mode

The obstacle mode helps to overcome smaller obstacles such as door thresholds. on the way to the stairs



Lock

The immobiliser safeguards the stair-climbing device against unauthorised use

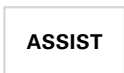


On/off

Main switch for switching on and off



In automatic mode, the climbing direction is detected by sensors. The climbing process is initiated automatically as soon as the edge of the step is reached



The scalamobil starts climbing when the device is correctly positioned at the edge of the step and the drive switch is actuated



In manual mode, stairclimbing is possible in any situation, sensor functions are disabled

Push-button for function selection

- Obstacle mode, for easily overcoming obstacles on the way to the stairs
- Immobiliser, to secure the device against unauthorised use
- Main switch
- **Auto** The climbing process is initiated automatically as soon as the scalamobil is positioned correctly at the edge of the step. The climbing direction is recognized automatically
- **Assist** allows climbing when the device is correctly positioned and the drive switch is actuated
- **Manual** allows climbing in any situation, the sensor functions are deactivated
- Support angle display helps to find the ideal balance point





Climbing unit with automatic safety brakes

- Patented climbing mechanism, works on virtually any set of stairs
- Tyres made of abrasion-resistant material to avoid scuffing the stair surface
- Four automatic safety brakes with improved capability for overcoming obstacles stop the scalamobil reliably before each step edge
- Casing in sturdy aluminium lightweight design
- With convenient carrying handle for easy stowage



Battery pack

- One charge is sufficient for up to 300 steps (for an occupant weighing about 70 kg)
- Easy replacement for extending the battery range
- Battery can be charged while separated from the scalamobil



Automatic charger

- Electronic automatic charging and switch-off
- Visual charge monitoring
- Automatic adaptation to supply voltage 90–240 V (convenient when travelling)



Bracket

- For attaching the scalamobil to the wheelchair (please add to order if the wheelchair does not yet have a bracket)
- Please include the type of wheelchair and seat width in your reference



Automatic locking mechanism

- Easy locking of the wheelchair to the scalamobil
- No quickpins needed
- No more bending over
- Can be ordered as an option and replaces the upper part of the scalamobil standard bracket



Conversion from screw axles to quick release axles

- Since the large wheels of the wheelchair must be removed to climb stairs, a quick release axle system is needed
- Conversion kit consisting of hubs, spokes, quick release axles, adapter sleeves, assembly
- Available for normal standard hubs and drum brakes



Bolt offset

- For attaching narrow wheelchairs from a seat width of 28 cm
- Max. occupant weight: 60 kg
- Alternatively, the scalaport X7 can be used for transporting narrow wheelchairs from a seat width of 26 cm



Tip assist

- Makes it easier to tip the wheelchair when crossing obstacles (not suitable for scalastuhl X3)
- Is attached to the wheelchair bracket for the scalamobil (must be removed for climbing stairs)
- Can be used only after removing the scalamobil (cannot be used in combination)



Safety lap belt

- With tried-and-proven safety quick latch
- 90 cm long
- Easy to attach to the wheelchair
- Also available in an automatic belt version (length 120 cm)



Tipping supports

- Can be removed with quick latch
- Height and length adjustable
- With automatic swivelling function for negotiating kerbs and thresholds
- Are attached to the wheelchair bracket for the scalamobil (must be removed for climbing stairs)



Headrest

- Ensures safe support and stability of the neck and head while climbing stairs
- Simple to attach thanks to clipping function
- Soft padding
- Height, depth and angle adjustable



Bracket for wheel transport

- For transporting the wheels together with the scalamobil
- Wheels do not need to be transported separately
- Bracket fits all standard wheelchair models



Car charger

- For charging the battery pack in the vehicle while on the road
- Electronic automatic charging and switch-off (function depends on the vehicle used)
- Visual charge monitoring
- Voltage range 12–32 V



Specific to the S46: ISOFIX connection

- Allows for easy attachment of child seats



Product benefits

- With integrated seat, e.g. for persons who are not absolutely dependent on a wheelchair
- Ideal for narrow stairwells and tight spaces, e.g. if a wheelchair is too large
- Soft padding and attractive design of seat and back rest
- Steerable front wheels with locking brake
- Two simple steps and the chair is compactly folded for stowing thanks to the folding seat and footrests
- Easily disassembled for transport in second in a few simple steps
- Optionally available with comfortable chest-shoulder belt or automatic lap belt

New feature of the S46

- Comfortable seat padding (5 cm)
- No-slip seat cover
- Seat tilted slightly backwards for optimum seating comfort and ideal center of gravity
- Arm and footrest can take loads up to 120 kg
- Folds and comes apart into two pieces
- ISOFIX connection
- Folding footrest

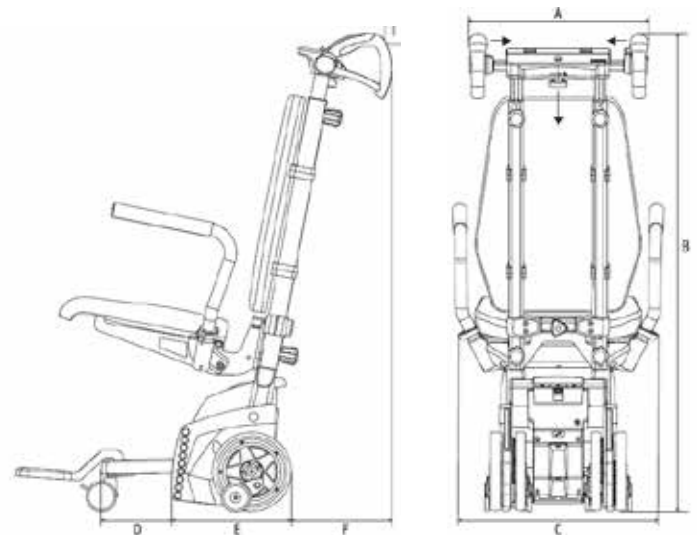


Removable arm rests for easy transfer

Technical data scalacombi S46

| | |
|----------------------------------|----------|
| (A) Handle width | 43 cm |
| (B) Height | 116.7 cm |
| (C) Widest spot (arm rest) | 50 cm |
| (D) Footrest support | 18 cm |
| (E) Wide drive unit | 29.7 cm |
| (F) Delta rear wheel to arm rest | 11.2 cm |
| (G) Seat width | 40.5 cm |
| (H) Seat height | 44 cm |
| (I) Seat depth | 42 cm |
| Total weight | 38 kg |
| Max. occupant weight | 140 kg* |
| Max permitted total weight | 180 kg* |

* For details about the maximum occupant weight, please also see the notes on weight information





Product benefits

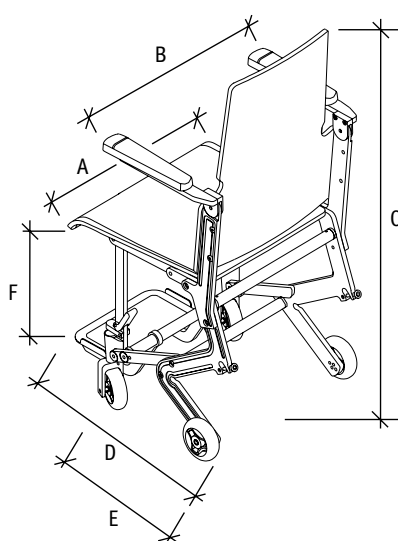
- Comfortable push chair perfectly compatible with the scalamobil
- Integrated bracket for the scalamobil
- Great agility and functionality thanks to compact size
- For use inside the flat and around the house
- Installation of seat shells possible at customer's expense

Function

- The pads can be removed and washed, and offer comfortable seating
- The low-friction wheels with integrated brakes make the chair easy to push and provide a firm base for transfers
- In just one step, the scalachair X3 folds to a compact size, making it easy to transport or store
- To ensure safe seating and optimum comfort while climbing stairs, the back rest extends up to the shoulder area
- The footrest can be folded up and out of the way for propelling oneself with the feet
- The integrated bracket with automatic centring ensures safe and quick docking of the scalamobil
- The arm rests fold up and out of the way for easier transfers



scalachair X3



Technical data scalachair X3

| | |
|----------------------------|----------|
| (A) Seat width | 41 cm |
| (B) Total width | 51 cm |
| (C) Total height | 95 cm |
| (D) Depth with footrest | 65 cm |
| (E) Depth without footrest | 42 cm |
| Depth with scalamobil | 80 cm |
| (F) Seat height | 45 cm |
| Weight | 12.8 kg |
| Max. occupant weight | 107.0 kg |

* For details about the maximum occupant weight, please also see the notes on weight information



Suspender belt system

- With foot strap for scalachair X3



Push grips

- For scalachair X3
- Height adjustable



Headrest

- For scalachair X3
- Height and depth adjustable



Foot strap

- For scalachair X3



Lap belt

- For scalachair X3



Product benefits

- Any manual wheelchair is ready for transport in seconds
- Wheelchair docks on without bracket or conversion
- Suitable for all commercially available wheelchairs. Also suitable for children's chairs from a seat width of 26 cm
- Ideal for patient transport and public buildings
- Very compact for transport thanks to a new folding mechanism



Easily clamps to the back rest



scalamobil S35 with scalaport X7



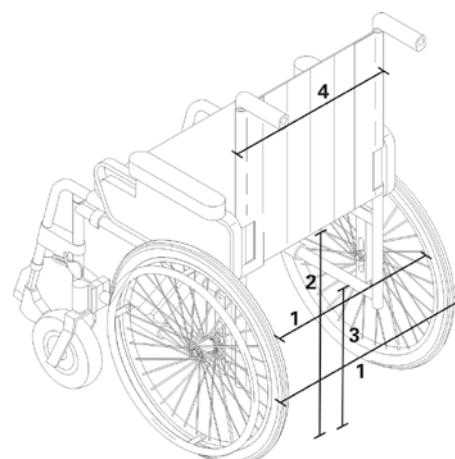
Folding mechanism for compact transport



Quickly adapts to wheelchair width



| Dimensions | Minimum | Maximum |
|--|--------------------------|--------------------------|
| (1) Wheel distance | 39 cm inside | 73 cm outside |
| (2) Seat height of wheelchair rear | about 35 cm from floor | - |
| (3) Height of wheelchair frame | 14 cm from floor | - |
| (4) Width of back rest | 35 cm with adapter 25 cm | 55 cm with adapter 40 cm |
| Weight of scalaport without scalamobil | 11 kg | - |
| System weight | 36.8 kg | - |
| Max. occupant weight | - | 120 kg* |
| Max. total weight | - | 160 kg |

*For transport of a multi-function wheelchair max. 90 kg





Model overview stair climber


| | <p>scalamobil S45</p> <p>Premium stair climber designed for attachment to wheelchair</p> | <p>scalacombi S46</p> <p>S45 with seat unit</p> |
|--|---|---|
| |  |  |
| Attachment to wheelchairs | | |
| With integrated seat unit | | |
| Integrated safety sensors | | |
| ErgoBalance grips | | |
| Dynamic SoftStep without programming | | |
| Display with indication of holding angle | | |
| 2 wheel pairs for optimum handling on stairs | | |
| Removable battery | | |
| Max. step height | 20 cm | 20 cm |
| Min. depth of step | 11 cm | 11 cm |
| Climbing speed (steps/min.) | 18 | 18 |
| Max. occupant weight | 140 kg | 140 kg |
| Max. total weight | 180 kg | 180 kg |



Battery pack

| | | |
|----------|---------------------|---|
| S45, S46 | Battery cells/range | 2x12 V; 3.4 Ah lead gel, leak proof and maintenance-free, range up to 300 steps (about 20 floors depending on the weight of the occupant and the wheelchair) |
|----------|---------------------|---|

Climbing unit

| | |
|--|--|
|  Max. occupant weight | scalamobil: 140 kg* scalacombi: 140 kg* scalamobil with X7: 120 kg* scalamobil with X3: 107 kg* |
| Max. total weight | 180 kg* |
| Step height | Max. 20 cm |
| Step depth | Min. 11 cm |
| Rated motor power | 176 W |
| Climbing speed | Up and down 12 steps/min |
| Operating voltage | 24 V |

Charger

| | |
|-----------------------|---|
| Input voltage | 90–240 V (AC), 50–60 Hz; automatic adaptation to supply voltage |
| Output voltage | 24 V (DC) |
| Charging current | 1.0 A |
| Battery charging time | Approx. 3.5 h |

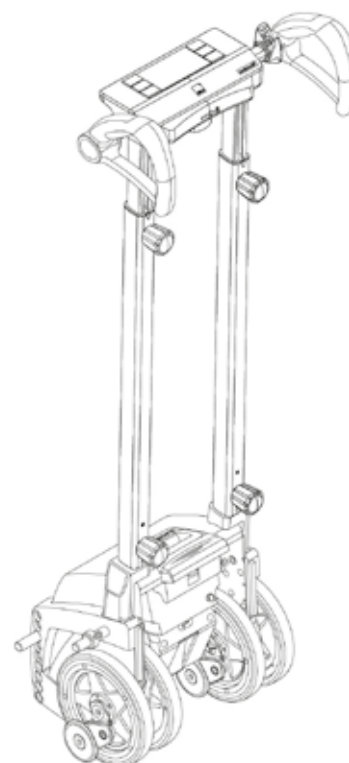
Weight

| | |
|-------------------------------|--------------------|
| Total weight | 26 kg (S46: 38 kg) |
| Climbing unit with battery | 20.9 kg |
| Climbing unit without battery | 17.9 kg |
| Battery pack | 3.0 kg |
| Handlebar | 4.9 kg |

*Depends on the aptitude of the operator and the wheelchair used.



CE-conformity according to the European
Medical Devices Regulation (MDR)





via go[®]

The compact push aid for companions.

| | |
|--------------------------|----|
| Highlights | 94 |
| Product benefits | 96 |
| Product setup | 97 |
| Delivery contents | 98 |
| Technical specifications | 99 |





Highlights for customers

compact & convenient

Weighing less than 6 kg, the small, lightweight via go fits in any car boot and can be taken with you wherever you go.

strong & enduring

The powerful push aid has an impressive range of up to 16 km, handling gradients of up to 16% with ease.

intuitive & flexible

The via go is very easy to control and can easily remain mounted for folding the wheelchair.

safe & reliable

Like all Alber products, the via go embodies TÜV-tested safety and meets the very highest quality standards.

Highlights for dealers

quick & easy

The installation of the via go is easily done in less than 10 minutes on site – with only 4 screws and one tool.

universal & compatible

The versatile via go mount is compatible with 80% of all standard and lightweight wheelchairs.

flexible & extendable

With various extensions, the via go can also be mounted to other types of wheelchairs such as comfort wheelchairs or paediatric wheelchairs or seat shell bases.

clever & straightforward

The via go is compatible with Intellion, the Alber service platform for dealer maintenance and repair.



Pushing
the easy way.



Product benefits

via go is the powerful, easy-to-use push aid for wheelchairs.

The high-quality push aid incorporates the impressive reliability you have come to expect from Alber with simple, universal and quick attachment on the spot. via go has been developed for wheelchairs with an attendant brake and its mount makes it compatible with more than 80% of all standard and lightweight wheelchairs.

The cleverly designed push aid is the perfect choice for anyone needing powerful assistance when pushing a wheelchair. Based on proven lithium-ion technology, the add-on drive will impress even the most demanding of users, with Made in Germany quality. Thanks to its easy handling, the via go is immediately ready for use after a short instruction.

Key product benefits at a glance

- Compact dimensions allow attachment to almost any wheelchair
- Powerful drive provides excellent performance up gradients
- Durable, high-capacity rechargeable lithium-ion battery
- Lightweight for simple handling and transport
- Standard/lightweight wheelchairs can still be folded with the via go attached
- Quick on-the-spot mounting in less than 10 minutes
- Simple attachment requires just four screws and one tool
- Universal mount is compatible with 80% of all standard and lightweight wheelchairs
- Straightforward to use after a short instruction
- Compatible with Intellion, the Alber service platform
- Compatible with a variety of care and maintenance products Children's wheelchairs and seat shell bases

At alber.de you can find even more information about via go or about reimbursement by your health insurance company. The customer service team at Alber GmbH looks forward to meeting you and will be happy to provide you with advice and assistance.

Wheelchair attachment

The drive unit mount for these types of wheelchairs comes ready assembled. For perfect positioning, the control unit mount attaches directly to the brake handle. This makes attachment quick and easy.

Other mounts or mount extensions are needed for wheelchairs that do not have a frame tube diameter of 25 mm, such as mobile recliners, seat shell undercarriages or children's wheelchairs. For wheelchairs without attendant brakes, a support that can be fastened on the push handle is available. The combination of the via go with the scalamobil is usually not possible.

If you have questions regarding a specific wheelchair model, please contact our Customer Service with the details by calling +49 7432 2006-230 or by e-mail to csexport@alber.de. Easiest way is to do the check yourself 24/7 in our Dealer Information Pool (www.dip.alber.de/en).

Our quality commitment – your safety

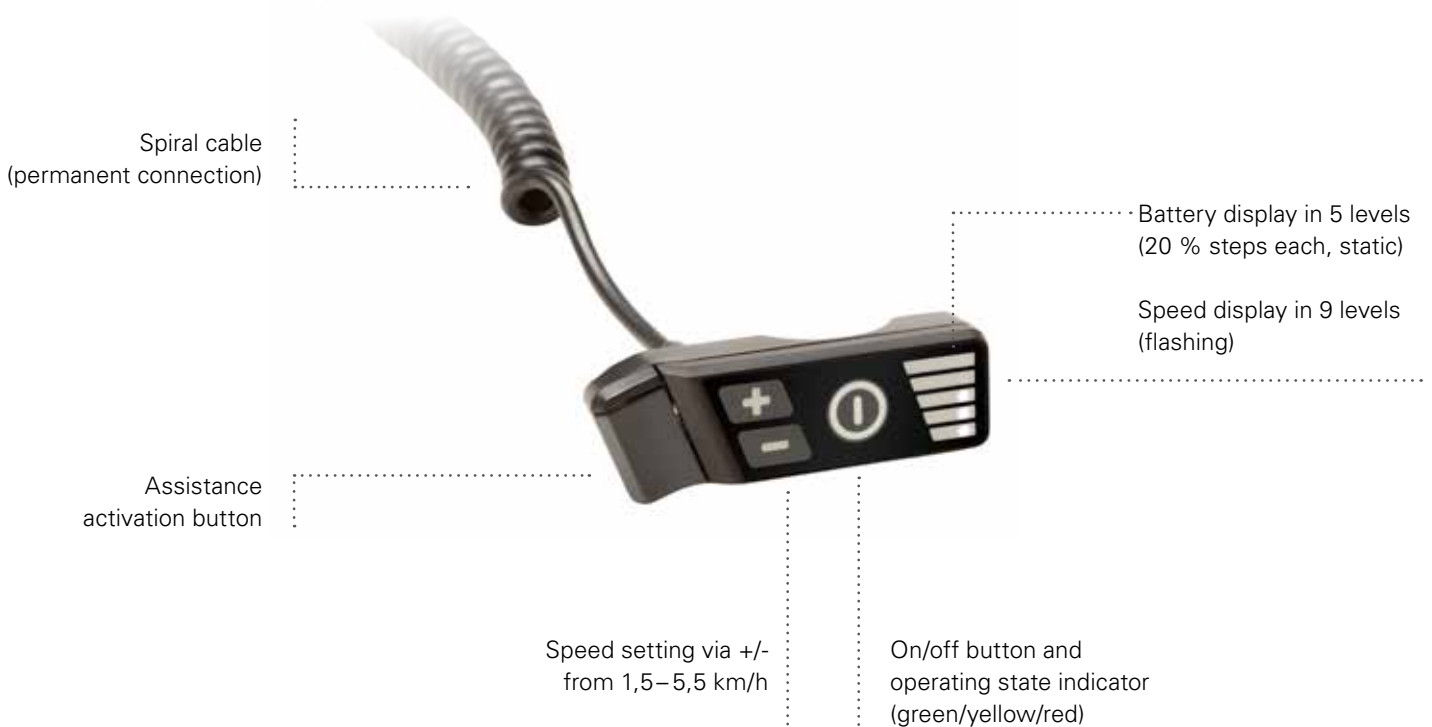
| | | | |
|----------------------------------|---|---|---|
| Tested quality | The via go V24 has been tested according to the latest edition of EN 12184 tested by TÜV Süd. | | |
| CE conformity | | | |
| Product application class | <input type="checkbox"/> Class A (interior) | <input checked="" type="checkbox"/> Class B (Interior and exterior) | <input type="checkbox"/> Class C (exterior) |



Drive unit



Control unit





Drive unit

- Discreet, high-quality design
- Compact dimensions allow attachment to almost any wheelchair
- Powerful drive provides excellent performance on gradients
- Durable, high-capacity rechargeable lithium-ion battery
- Lightweight for simple handling
- Ergonomic grab handle for easy transport
- USB-C port for connection to Intellion



Control unit

- Small, ergonomic control unit
- One button each for on/off, speed setting and assistance activation
- Integrated LED display to indicate operating state, speed and remaining capacity
- Error code display
- Spiral cable for drive unit connection



Charger

- Small, convenient charger
- Automatic charging and switch-off function
- Universal charger 100–240 V, 50–60 Hz
- Charging time from empty: approx. 5 hours



Ergonomic Arthritis control lever (accessory)

- Fatigue-free operation of the activation button
- Easy installation via clamp mount
- Easy to retrofit



General

| | |
|------------------------|-------------|
| User weight | Max. 150 kg |
| Permitted total weight | Max. 170 kg |
| Gradient | Up to 16%* |

Drive unit

| | |
|-------------------|--------------|
| Rated motor power | 250 W |
| Max. motor power | 450 W |
| Operating voltage | 36 V |
| Speed | 1,5–5,5 km/h |

Battery pack (drive unit)

| | |
|---------------|--|
| Battery cells | 36 V; 4,5 Ah Lithium-ion cells, leak-proof, maintenance-free 24-month warranty |
| Battery power | 162 Wh Allowed on planes under IATA rules |
| Range | Up to 16 km, depending on pavement quality, user weight, temperature and topography |



Charger

| | |
|------------------|-----------------|
| Input voltage | 100–240 V |
| Frequency range | 50–60 Hz |
| Output voltage | 36 V (DC) |
| Charging current | 1 A |
| Charging time | Approx. 5 hours |

Weight

| | |
|------------------|----------------------|
| Drive unit | 5,85 kg |
| Control unit | 140 g |
| Charger | 540 g |
| Drive mount | Approx. Ca. 1,1 kg** |
| Controller mount | Approx. Ca. 40 g** |

Dimensions

| | |
|--------------|--------------------------------|
| Drive unit | 17 x 24 x 27 cm (W x H x L) |
| Control unit | 3,5 x 9,5 x 2,7 cm (W x H x D) |

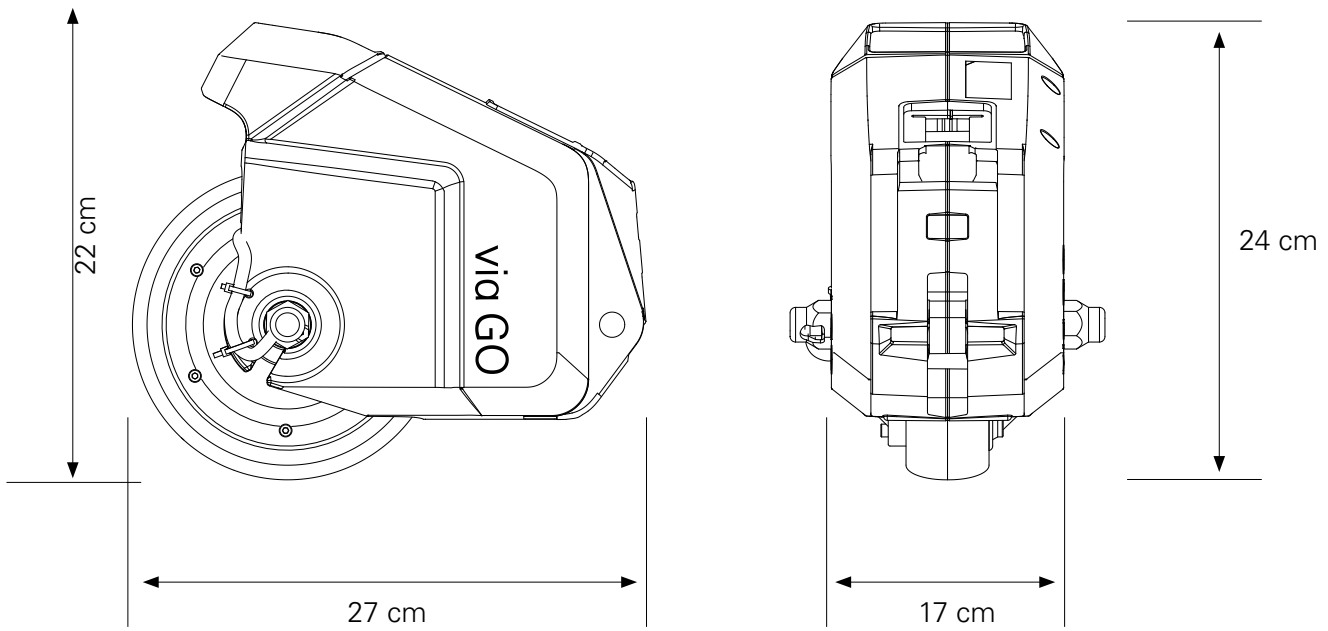
* Wheelchair manufacturer's specifications must be followed

** May vary slightly depending on design

CE Conforms to the European
Medical Devices Regulation (MDR) 2017/745



Dimensions





viamobil®

The comfortable push and brake aid for companions.

| | |
|--------------------|-----|
| Product advantages | 103 |
| Product setup | 104 |
| Scope of delivery | 105 |
| Accessories | 106 |



MADE IN GERMANY 



Push and brake
the easy way.



Product advantages

viamobil V25 is the high performance push and brake aid for wheelchairs. Its extreme versatility (suitable for practically every wheelchair) and its power (high user weight, high climbing capability) set new standards coupled with excellent economic viability for its re-use. As the target group consists mainly of senior citizens, great attention was paid to the safety and user-friendliness of the viamobil.

The most important product advantages at a glance

- Compact dimensions allow mounting on nearly every wheelchair without limiting the adjustment options
- Powerful drive unit for excellent climbing capability uphill and braking capacity downhill (applicable for up to 10,2° [18%] upward/downward slopes)
- Durable powerful lithium-ion battery
- Intuitive EasyConnex magnetic plug system
- Patented safety switch prevents faulty operation
- Intuitive handling due to the ergonomically optimised control unit
- Low weight allows easy transport
- High steering comfort due to the central drive wheel
- Excellently readable control unit LCD for the display of all travel data
- Diagnosis system for optimal service -friendliness

Wheelchair recommendations

- Standard chairs
- Active/lightweight wheelchairs
- Comfort wheelchairs

Due to its compact drive unit, the viamobil V25 can now be mounted on practically all comfort wheelchairs without limiting the adjustment options. A special adaptation set ("comfort chair package") is no longer required.

The Alber bracket system permits the parallel use of the viamobil and the scalamobil on many wheelchairs. As a rule, wheelchairs as of a seat width of 38 cm to 60 cm can be fitted with a viamobil.

If you have questions regarding a specific wheelchair model, please contact our Customer Service with the details by calling +49 7432 2006-230 or by e-mail to csexport@alber.de. Easiest way is to do the check yourself 24/7 in our Dealer Information Pool (www.dip.alber.de/en).

Our quality promise—Your safety

Seal of approval and testing institute



TÜV Süd, Hanover

CE conformity



complies with the European Medical Device Regulation (MDR) 2017/745

Approved and tested according to the

Class A
Indoors

Class B
(Indoors and outdoors)
outdoors

Class C

application class:

How it works:



Drive the viamobil into the bracket...

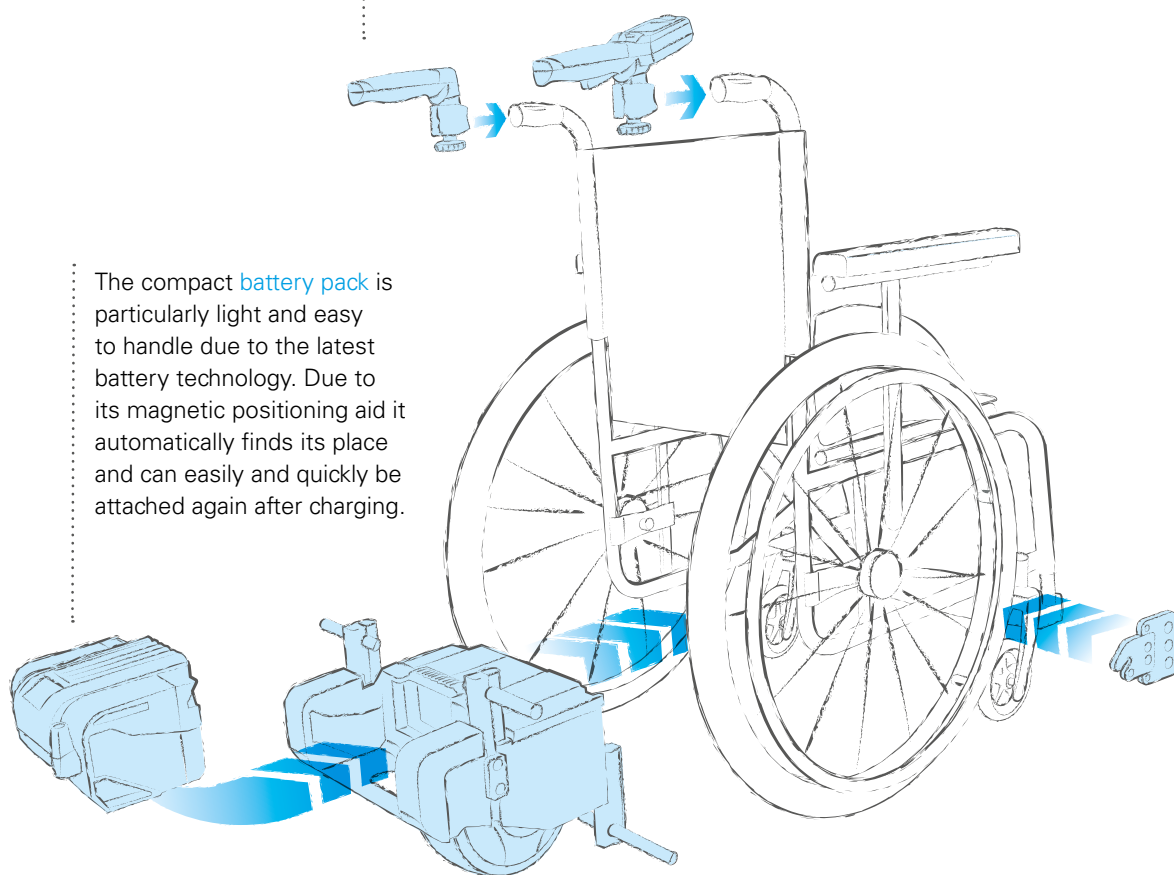
...fix it with the quickpins!

...quickly disassembled and easy to transport



The **control unit** has an ergonomic design and renders the control very convenient and simple. The patented safety switch prevents faulty operation.

The compact **battery pack** is particularly light and easy to handle due to the latest battery technology. Due to its magnetic positioning aid it automatically finds its place and can easily and quickly be attached again after charging.



Bracket to attach drive unit

The powerful **motor** manages inclines of up to 10.2° [18%]. The drive wheel is puncture-proof and designed with maximum grip. This ensures safe mobility even on rough terrain.



Control unit

- Driving lever for speed control with patented safety switch
- Ergonomic switches for forwards/backwards drive and speed select (1 – 5.5 km/h)
- Contacting to battery via intuitive EasyConnex magnetic plug
- Precise display of the battery charge
- Display of error codes for efficient service
- Ergonomic push handles



Battery pack

- Powerful lithium-ion battery cells for long service life
- Weighs only 2.4 kg
- Range up to 20 km (depending on the ground surface, the weight of the person and the topography)
- Automatic contacting and locking thanks to magnetic force
- Indication of the "health" of the battery, e.g. before re-use
- Socket for the control unit and battery charger plug: automatic contacting via magnet (EasyConnex)
- 24-month guarantee



Drive unit

- Compact dimensions for optimum mounting compatibility
- Motor, brakes and transmission integrated in the wheel hub
- Suitable for terrain involving uphill and downhill inclines of up to 18 %
- Drive wheel is automatically lifted and lowered at the push of a button
- Central drive wheel made from anti-slip, puncture-proof solid rubber
- Automatic spring system for constant contact pressure
- Bolts for attaching the wheelchair adjustable depending on the seat width
- Anti-tippers are mandatory for uphill and downhill slopes of up to 4.5° [8%].



Automatic battery-charger

- Contacting to battery via intuitive EasyConnex magnetic plug
- Electronic charging and switch-off mechanism
- Automatic adaptation to the mains voltage (90 - 240V)





Bracket

- To attach the viamobil to the wheelchair
- Please include in order, if not present
- Please indicate wheelchair type and seat width
- Go to dip.alber.de/en to easily check mounting options, download mounting instructions or order brackets



Anti-tippers

- Prevent the wheelchair from tipping backwards
- For driving on gradients above 4,5° [8%]
- With automatic swivelling function for crossing curbs and thresholds
- Removable via quick-release mechanism



Additional push handles

- As an entry guide for ease of handling
- More legroom for attendant
- Height adjustable
- Easy to dismantle
- Required where the viamobil handles cannot be mounted on the push handles or where this is not desired



Automatic bracket

- Easy locking of the wheelchair to the viamobil
- No quickpins necessary
- Docking without bending
- Can be ordered as an option and replaces the upper part of the standard bracket



Mounting example:

viamobil – basic version with optional anti-tippers on a comfort wheelchair



Drive wheel

| | |
|---------------------------------|---|
| Climbing and braking capability | Up to 10.2° [18%] for a person weighing 130 kg. 6.5° [11.4%] for a user weight of 160 kg. The limit values of the wheelchair manufacturer are to be observed. |
| Speed | 1–5.5 km/h |
| Operating voltage | 36 V |
| | i Slopes exceeding 4.5° [8%] require the use of anti-tippers. |

Battery pack

| | |
|---------------|--|
| Battery cells | 37 V, 5.85 Ah, leak-proof and maintenance-free, lithium-ion, 24-month warranty |
| Range | up to 20 km (depending on the ground surface, the weight of the person and the topography) |

Control unit

| | |
|----------|---|
| Assembly | Via ball holder in the backrest tubes |
| Other | Additional handles as accessories (no clamping in the backrest tubes) |

Battery charger

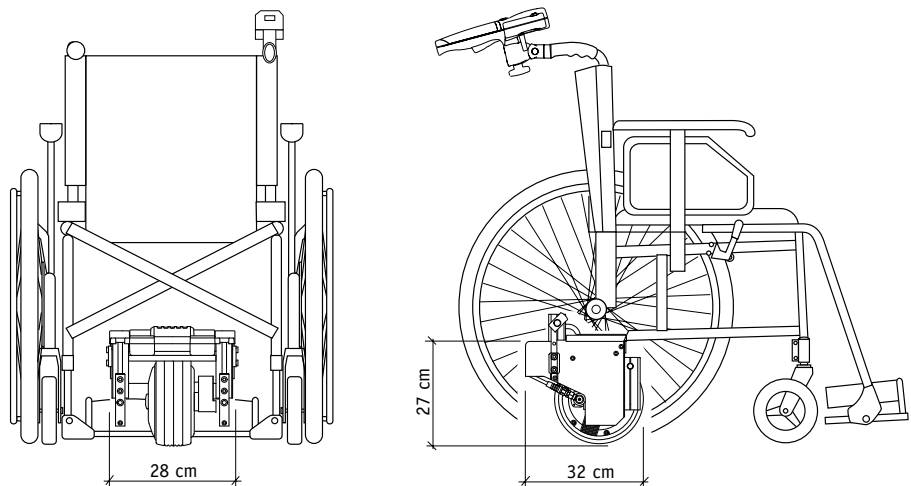
| | |
|------------------|--|
| Input voltage | 90 – 240 V (AC), 50 – 60 Hz, automatic adaption to the main voltage, automatic charging and switch-off mechanism |
| Output voltage | 45 V (DC) |
| Charging current | 1.5 A |
| Charging time | approx. 5 h |

Weight

| | |
|--------------|---|
| Total weight | 13.3 kg |
| Battery pack | 2.4 kg |
| Drive unit | 10.3 kg |
| Control unit | 0.6 kg |
| | i Max. permissible user weight: 160 kg Permissible total weight: 210 kg |



complies with the European
Medical Device Regulation (MDR) 2017/745





viamobil eco[®]

The clever push and brake aid
for companions.

| | |
|--------------------|-----|
| Product advantages | 111 |
| Product setup | 112 |
| Scope of delivery | 113 |
| Accessories | 114 |
| Technical data | 115 |



MADE IN GERMANY 



Pushing the easy way.





Product advantages

Viamobil eco is an exemplary ergonomic and comfortable way to push and brake a wheelchair.

The most important product advantages at a glance

- Central control button for controlling all functions with one hand movement
- Ergonomically shaped drive lever for comfortable thumb operation
- Intelligent suspension for high driving comfort and constant contact pressure
- Easy to attach to and remove from the wheelchair
- Low weight and compact dimensions allow easy transport
- Individual adaptation to the attendant
- Push and brake aid for up to 5,7° 10% incline or slope

Wheelchair recommendations

- Standard wheelchairs
- Active/lightweight wheelchairs

The Alber bracket system permits the parallel use of the viamobil eco and the scalamobil on many wheelchairs. As a rule, wheelchairs as of a seat width of 38 cm can be fitted with a viamobil.

If you have questions regarding a specific wheelchair model, please contact our Customer Service with the details by calling +49 7432 2006-230 or by e-mail to csexport@alber.de. Easiest way is to do the check yourself 24/7 in our Dealer Information Pool (www.dip.alber.de/en).

Our quality promise - Your safety

Seal of approval and testing institute



TÜV Süd, Hanover

CE conformity



complies with the European Medical Device Regulation (MDR) 2017/745

Approved and tested according to the application class

Class A (Indoors)

Class B (Indoors and (outdoors) outdoors)

Class C (Indoors and (outdoors) outdoors)

Other tests



Target group-specific user test by TÜV Süd, Hanover

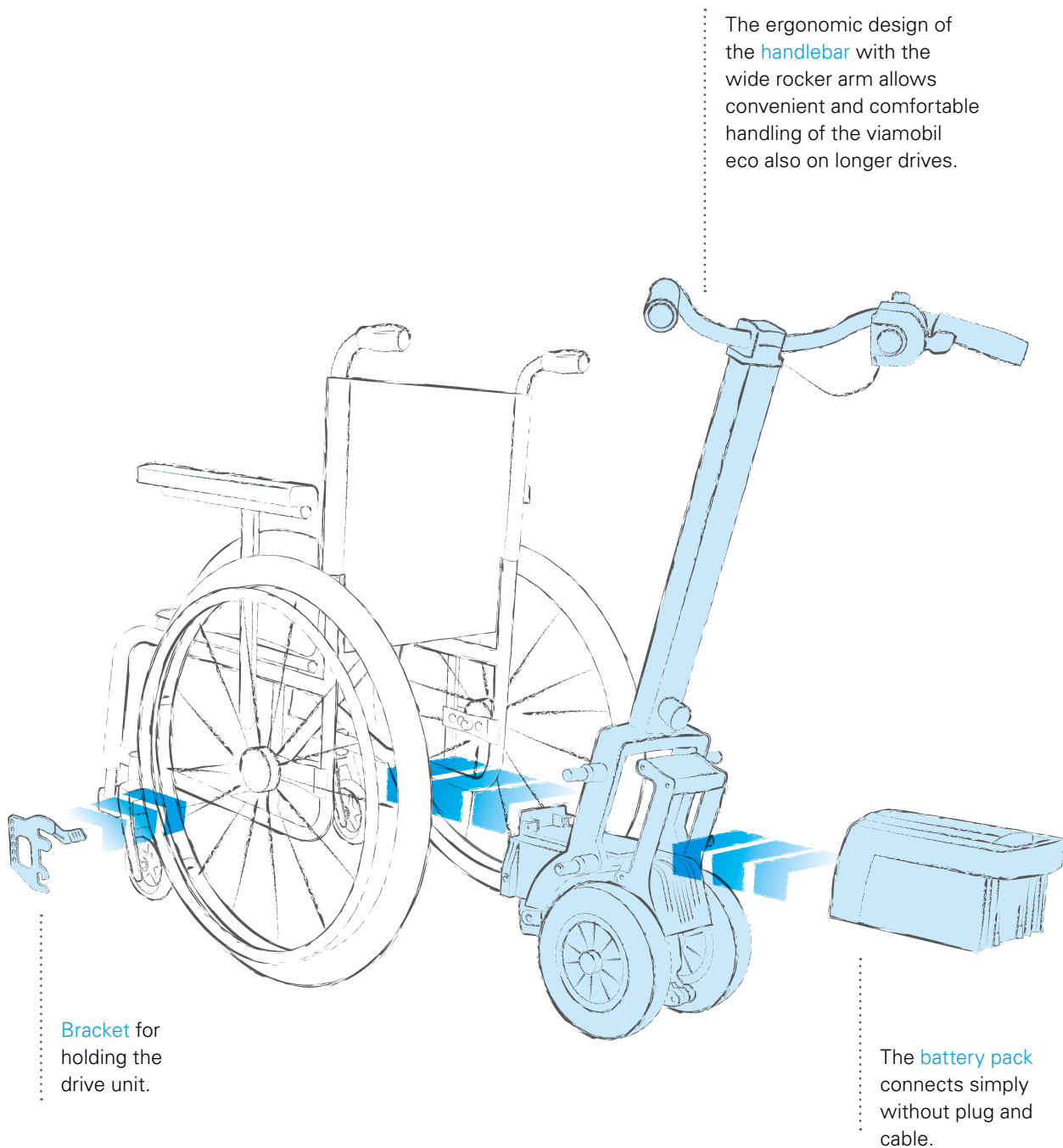
How it works:



Drive the viamobil eco into the bracket...

... Lock with the hangers!

Low weight and compact design





Control unit with thumb control

- Ergonomically shaped drive lever for comfortable thumb operation
- Control unit with rotary switch for controlling all functions:
 - On/Off
 - Speed preselection (1 – 5,5 km/h)
 - Freewheel
- Battery indicator



Battery pack

- Range up to 12 km (depending on the ground surface, the weight of the person and the topography)
- Removable in one easy step, only 6 kg
- Integrated carrying handle
- Shock-resistant ABS plastic
- Integrated charging socket
- In addition, an exchangeable battery can be delivered



Drive unit

- Drive wheel made from anti-slip, puncture-proof solid rubber
- Automatic spring system for constant contact pressure and high driving comfort
- Pedal for lifting/lowering the drive wheels
- Bolts for holding the wheelchair
- Slopes exceeding 4,5° [8%] require the use of anti-tippers



Automatic battery-charger

- Automatic adaptation to the mains voltage (90 - 240 V)
- Electronic charging and switch-off mechanism



Bracket

- To attach the viamobil eco to the wheelchair
- Please include in order, if not present
- Please indicate wheelchair type and seat width



Anti-tippers

- Prevent the wheelchair from tipping backwards
- For negotiating slopes of more than 4,5° [8%]
- Removable via quick-release device



Exchangeable battery, 24 V, 7,2 Ah

- Increases the radius of action
- Recommended for heavy wheelchair users



In-vehicle charger

- To charge the battery pack in the vehicle while driving
- Electronic charging and switch-off mechanism (function dependent on vehicle used)
- Visual charge indicator
- Voltage range 12 V – 32 V



Drive wheel

| | |
|---------------------------------|--|
| Climbing and braking capability | Up to 5,7° [10%], the limit values of the wheelchair manufacturer are to be observed |
| Speed | 1–5.5 km/h |
| Operating voltage | 24 V |
| | i Slopes exceeding 4,5° [8%] require the use of anti-tippers. |

Battery pack

| | |
|---------------|--|
| Battery cells | 37 V, 5,85 Ah, leak-proof and maintenance-free, Approved for air transport by IATA and DOT |
| Range | up to 12 km (depending on the groundsurface, the weight of the person and the topography) |

Battery charger

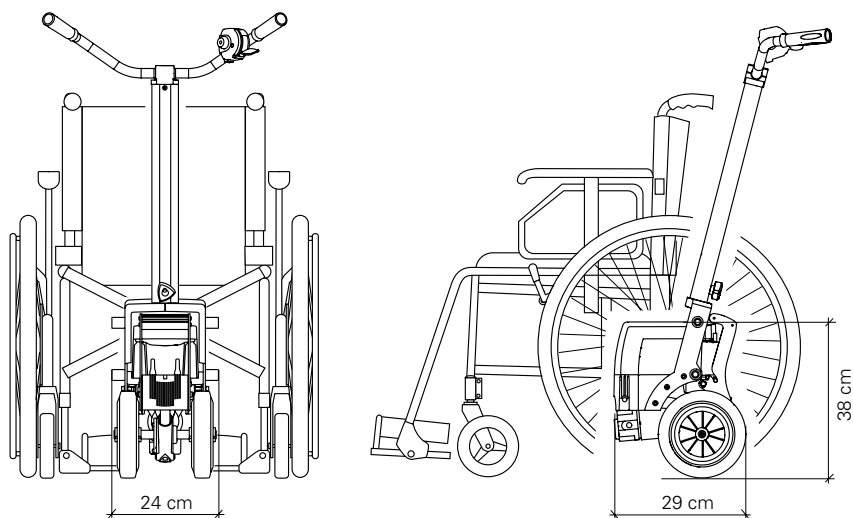
| | |
|------------------|---|
| Input voltage | 90 – 240 V (AC), 50 – 60 Hz, automatic adaption to the mains voltage; Charging and switch-off mechanism |
| Output voltage | 28 V (DC) |
| Charging current | 1.0 A |
| Charging time | approx. 7 h |

Weight

| | |
|--------------|---|
| Total weight | 18.2 kg |
| Battery pack | 5.7 kg |
| Drive unit | 10.5 kg |
| Control unit | 2.0 kg |
| | i Maximal user weight 120 kg Max. Permissible total weight 170 kg |



complies with the European Medical Device Regulation (MDR) 2017/745







Alber Mobiliy Apps - Your smart helper on the go

Our Alber mobility products e-motion M25, SMOOV O10, e-fix E35/E36 can communicate with Android smartphones and iPhones via Bluetooth®.

For this purpose, free apps are available in the Google Playstore and Apple Appstore, which further increase the utility value of our add-on drives.

The Alber apps show the current speed, the mileage and the status of the batteries on the smartphone display. Preset driving profiles can be selected or tours can be recorded via GPS. In addition, the apps help to identify the cause quickly and easily in the event of a fault and even carry out automatic firmware updates for the drives. Your customers are always in the best hands and have a direct line to Alber.

With the Mobility Plus Package, we offer additional functions for our apps, which can be purchased as required. For example, a higher speed (M25, O10, E35/E36), remote control of the unoccupied wheelchair (M25, O10, E35/E36) via smartphone or a cruise control function (M25) are available. On the next page you will find more information about the available options.



Free download here!

Scan the matching code and get to the app directly:

e-fix Mobility App



e-fix



SMOOV Mobility App



SMOOV one



e-motion Mobility App



e-motion





The following overview contains information on activating the Mobility Plus Package functions to the products **e-fix E35/E36**, **e-motion M25** and **SMOOV O10**:

| Product | Price in Euro incl. VAT* | | Activation | |
|---------------|--------------------------|----------------------------------|--|--|
| | Android | iOS | Android (min. version 6.0) | iOS (min. version 12.0) |
| e-fix | | | | |
| Speed | | | License code from Mobility Plus Package (Item no. 1591926) | License code from Mobility Plus Package (Item no. 1591926) |
| Remote | | | | Not available with iOS |
| Phone | | | | |
| All functions | 349.99 EUR | 349.99 EUR (exclusively „Phone“) | | |

| e-motion | Android | iOS | Android (min. version 7.0) | iOS (min. version 1.0) |
|-----------------|------------|------------|----------------------------|------------------------|
| | Speed | 99.99 EUR | 99.99 EUR | In-App-purchase |
| Cruise | 99.99 EUR | 99.99 EUR | | |
| Remote | 39.99 EUR | 39.99 EUR | | |
| ECS | 99.99 EUR | 99.99 EUR | | |
| Push-counter | 9.99 EUR | 9.99 EUR | | |
| All functions** | 299.99 EUR | 299.99 EUR | | |

**The entire Mobility Plus Package can be tested free of charge for 30 days. Only one trial period is possible for each e-motion system.

| SMOOV one | Android | iOS | Android (min. version 7.0) | iOS (min. version 14.0) |
|-------------|-----------|------------|----------------------------|-------------------------|
| | Speed | 129.99 EUR | 129.99 EUR | In-App-purchase |
| AutoSpeed | 39.99 EUR | 39.99 EUR | | |
| Performance | free | free | | |

* German domestic prices



| | |
|-------------------------|-----|
| Dealer Information Pool | 119 |
| General information | 121 |
| Mounting information | 122 |

MOUNTING

Find brackets and mounting information, query mounting information.

In addition to ordering products, accessories and spare parts, the retrieval of mounting information or the finding of brackets and mounting instructions are substantial added values when using the DIP 2.0.

Brackets and mounting instructions can be found via the menu

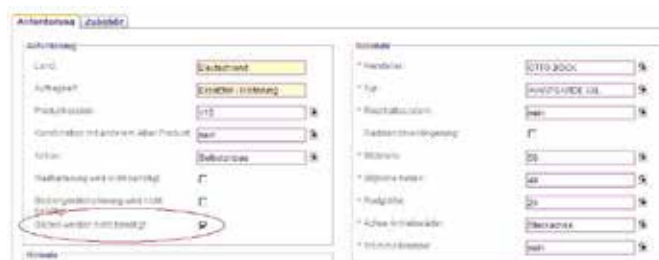
item orders/bracket and accessories or mounting/brackets. The navigation in the configuration menu, in which in addition to product information, also wheelchair data and accessories are retrieved, all available mounting variations are made available



Combinations that are not suitable for mounting are shown in red.



if optional components such as bolts are already available, these can be specifically deselected via the configuration menu:



All information that is important for the mounting such as the bolt length or position of the holes is already presented during the configuration.



After completion of the configuration all required articles are shown in the cart. The corresponding mounting instructions can be seen directly on screen or downloaded.

| Menge | Artikel | Best.Nr. | Vorratssicht | Preis ohne MwSt. | Preis inkl. MwSt. | MWST. Satz | Deckung ohne MwSt. | Artikel löschen? |
|-----------------------------------|---|----------|--------------|------------------|-------------------|------------|--------------------|------------------|
| 1 | Halterung und Zubehör verstellbar | 140794 | Stück | 8,90 | 9,99 | | 4,00 | |
| Halterung auf Zubehör verstellbar | | | | | | | | |
| | Beschiff & Beschaff. Pro Halterung zur Montage am Rollstuhl | 140794 | Stück | 206,90 | 243,91 | 19 % | 206,90 | |
| Anbauanleitung | | | | | | | | |
| | Sitzraumsatz Verstellbar oben | 140793 | Stück | 30,00 | 35,70 | 19 % | 30,00 | |
| | Sitzraumsatz Verstellbar unten | 140791 | Stück | 22,90 | 27,25 | 19 % | 22,90 | |

Mounting instructions for accessory items are also provided directly in the order/accessories mask for the relevant product, so that buyers can learn now to fit the item even before they buy it.

| | | | | | | | | |
|-----------------------|---|--------|-------|--------|--------|--|--|--|
| | Schuttbügel für Bediengerät | 140501 | Stück | 47,20 | 56,17 | | | |
| | Bediengeräthalterung Ø 18mm zum Anbau am Seitenfuß ohne Schwelkarm | 140731 | Stück | 140,90 | 168,63 | | | |
| Anbauanleitung | | | | | | | | |
| | Bediengeräthalterung Ø 17mm zum Anbau am Rollstuhl-Seitenfuß ohne Schwelkarmbindung | 140653 | Stück | 140,90 | 168,63 | | | |
| Anbauanleitung | | | | | | | | |
| | Umlaufsatz 1 Steckachse 1/2" und Kugellager D=22 mm | 140705 | Satz | 100,00 | 119,41 | | | |

If you have any questions, please do not hesitate to contact us at +49 7432 2006-230 or csexport@alber.de Now log in or register at dip.alber.de/en



Through the DIP, almost all issues related to Alber can be conveniently and quickly completed online.

Orders of brackets, spare parts and products:

Ordering replacement parts:

Downloads of required documents and information:



Creating shopping cart contents, storing and ordering them:

Overview of current orders and deliveries:

Order the shopping cart items, select a delivery address and submit the order 24/7.



Product combination of a wheelchair and Alber add-on drive

One advantage of Alber add-on drives is their compatibility with almost all commercially available wheelchairs. Currently, the Alber bracket database contains 1,591 brackets for 384 wheelchair models of 59 manufacturers that are documented for fitting with the appropriate Alber product.

The basis of every combination of a wheelchair and add-on drive is the developments of a bracket that is model-specific and conforming to the law. To this end, the wheelchair data is recorded in the computer, a bracket is developed and its assembly simulated using a CAD program. Then, prototypes are manufactured and the assembly on the wheelchair is tested and documented.

Thanks to a sophisticated testing system, it is ensured that all combinations comply with the statutory requirements and the current standards. For this, a special test sequence was elaborated in cooperation with TÜV Süd, which is made up of various tests, e. g. the test of static and dynamic stability, the ability to overcome obstacles and durability.

If a combination of wheelchair and add-on drive is documented and has successfully passed all tests, it is included in the Alber bracket list and the DIP. Inclusion in the bracket list / DIP simultaneously corresponds to a declaration of conformity.

Alber add-on drives can be mounted both in the factory at Alber and by an authorized specialist dealer.

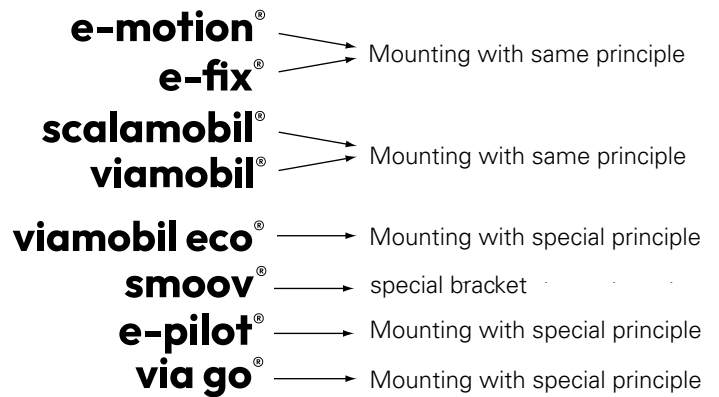
- Wheelchair is included in the Alber bracket list / DIP
- Specialist dealer is trained and authorised to mount the part
- Mounting is performed in accordance with the enclosed mounting instructions
- Mounting takes place using Alber original parts exclusively
- Archiving of the product and customer data by submitting the confirmation of training (also for re-use)

Only for complex product combinations, e.g. for stand-up wheelchairs, must the mounting take place in the Alber factory.

In most cases, it is also possible to combine a wheelchair with several Alber products, such as e.g. the e-fix and scalamobil. Call our customer service for assistance. A combination of Alber products with competitor drives is not possible for reasons of product liability.

Notes on brackets

Alber add-on drives are combined with wheelchairs using four different basic concepts:



scalamobil/viamobil

The bracket comprises an upper and lower bolt receiver. Generally, the upper bolt receiver is positioned 270 - 310 mm/10.6–12.2 inch from the ground, while the lower receiver is 160 mm/6.3 inch from the upper bolt receiver.



viamobil control unit mount

There are two options for this: either with a bracket on the push handles of the wheel chair or via the recommended additional push handles.



Example: viamobil control unit bracket



Complex mounting of scala /via

In some cases, a special frame of the wheelchair manufacturer is required. For more information contact our customer service. Mounting usually takes place at the factory.



Example: mounting of viamobil to a comfort wheelchair

Special bracket system

The scalamobil/viamobil can be fitted with a special bracket system to many wheelchairs with limited seat width or complex frame designs, such as pediatric wheelchairs or comfort chairs.



Example: Special bracket system

e-fix /e-motion/ twion

Wherever possible, the wheel bracket should be mounted at the wheel position requested by the customer. Restrictions set out in the mounting instructions are to be observed. With twion and e-motion, it is particularly important to ensure that the push rims are ergonomically positioned.



The anti-tippers are to be mounted in pairs. The bracket should be positioned at the same height as the wheel axle, optimally between 270 – 310 mm

Wheel camber

The maximum permitted wheel camber is always specified in the mounting instructions as a function of the person's weight. If a wheel camber is possible, the values provided in the Alber mounting instructions shall apply irrespective of the specifications of the wheelchair manufacturer.

e-motion/ twion wheel camber

e-fix wheel camber

| Weight of the wheelchair user | max. wheel camber | Weight of the wheelchair user | max. wheel camber |
|-------------------------------|-------------------|-------------------------------|-------------------|
| < 40 kg/ | 9° | < 60 kg/ | 3° |
| 40 - 60 kg/ | 6° | < 60 kg/ | 1° |

Manual wheels

With e-fix, e-motion and twion it is possible to continue using the manual wheels. For this purpose, manual wheels with 12 mm stub axles must be converted to ½". Size and tyres of the manual wheels have to match the alber wheels.

Brakes

The manual parking brakes must be adjusted to the applied Alber wheels and manual wheels.



e-fix control unit mount

The control unit can be mounted with or without a swivel arm. It can be connected to the frame tube, sideguard or the armrest. Alternatively, the control unit can also be mounted as an attendant control on the push handles.

For fitting an intuitive attendant control, there are connections for the various different push handle types



Example: e-fix control unit mount

Battery mount

In most cases the e-fix is combined with foldable chairs and in these cases the battery pack is fixed with four velcro straps on the frame tubes. For rigid chairs as comfort chairs or multi function chairs, we recommend a fixed assembly of the battery pack.



Example: Fixed assembly of battery mount

Complex mounting

In the case of seat shell underframes, stand-up or lift wheelchairs, mounting is generally more complicated because of the frame form and therefore needs to be performed in the factory.



Example: Stand-up wheelchair with e-fix

Opti-box mount

The Opti-box can be mounted either using a Velcro® strap or a special bracket.



Example: Opti-box bracket



e-pilot

The e-pilot is usually mounted on the upper frame tubes. The holders for the docking strut are attached to each side with two clamps. Depending on the wheelchair model, the clamps or clamping points differ. The docking strut is fixed, aligned and pinned centrally under the seat upholstery to a dimension of 410mm from the floor.



Manual wheels ad chamber

For generate a good handling, we recomend the following:

- stabil rear wheels with good tyres
- wheel base extension
- optional additional weights for the e-pilot front drive wheel (1593079)
- a chamber of 0 - 3° (depending on the max. speed and driving style)

Anti-tippers

We recommend swerve or removable anti-tippers, because the wheelchair will be a bit tilt after docking to the e-pilot. Sometimes the anti-tippers ground on the soil.

SMOOV

SMOOV is attached to rigid frame wheelchairs by installing a bracket on the axle tube for the drive unit and a bracket on the legrest tube for the control unit. The bracket for the control unit must be mounted at a distance of 310 mm from the floor to the top edge of the bracket.



When combining SMOOV with folding wheelchairs, an adapter axle is clamped between the stub axles.



For fixation of the SMOOV control unit a special lightweight bracket is available. This will allow to mount on different tube sizes, tube shapes and also hydroformed wheelchairs or out of special material like carbon fibres.





The mounting of via go is realized on the lower frame tubes of the wheelchair. The bracket for the drive unit can be easily mounted on site with four screws and a tool in less than 10 minutes on site at the customer's premises. The universal bracket is suitable for 80% of all standard and lightweight wheelchair.

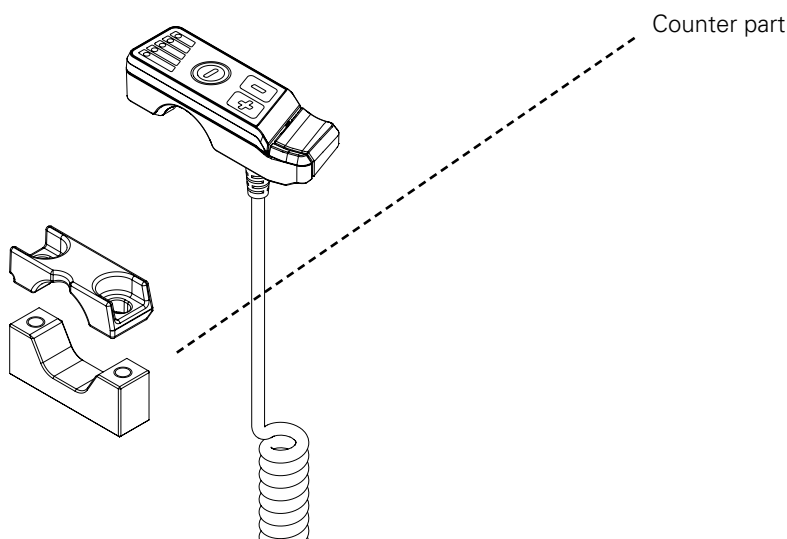


Automatic bracket for scalamobil and viamobil

This makes locking the wheelchair to the scalamobil and Vviamobil easy and convenient. Docking and undocking can be done without bending down, which makes operation much easier. The quick pins are no longer required, which makes **handling** even easier.



If a drum brake is installed the control unit can be fitted directly with an adapter plate.



If no drum brake is installed, the control unit can be attached to the push handle using a counterholder bracket and the adapter plate. Please order counterholder bracket separately on the order form.



| | |
|----------------------------------|-----|
| Notes on order details | 128 |
| On the delivery note | 129 |
| e-fix E35/E36 | 130 |
| e-pilot P15 | 132 |
| e-motion M25 / e-motion duodrive | 134 |
| scalamobil S45/S46 | 138 |
| smoov O10 | 140 |
| erivo R10/pro R11 | 141 |
| via go V24 | 142 |
| viamobil V25 | 143 |
| viamobil eco V14 | 145 |

ORDER FORMS AND PRICES

Important information for ordering of Alber products

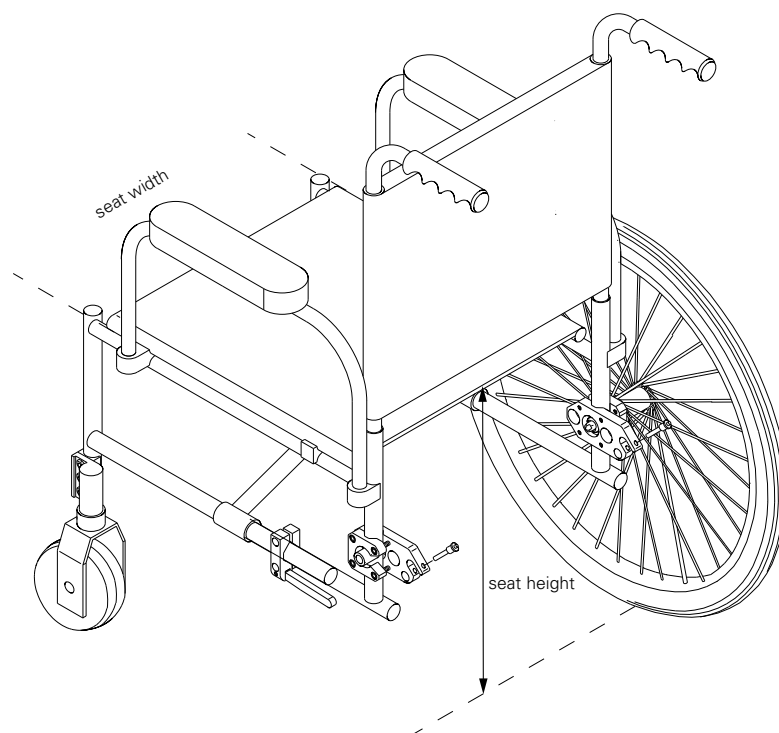
When ordering Alber add-on drives, the seat width and seat height of the used wheelchair are important dimensions for ensuring compatibility.

To establish the same basis of information between the order and our wheelchair database, the dimensions must always be measured as follows.

1. Seat width: On the outer edge of the seat sling
2. Seat height:
measured in back, from the floor to the bottom edge of the seat sling

Depending on the product, additional information is required. Please note these on the relevant order form:

- Wheel position: position of the wheel adapter in front/centre/back
- Drum brakes equipped with brake drums?
- Stub axles equipped with brake drums?
- Anti-tippers equipped with brake drums?
- Tie-down system equipped with brake drums?
- Diameter of the front steering wheels, etc.





Procedure

1. Check the suitability of the wheelchair

Which Alber drive unit is suitable for which wheelchair?

- Please find all currently approved wheelchairs for mounting our products on the DIP at dip.alber.de/en
- In case of questions, our **customer service** will be glad to assist you.

2. Ordering a new product

This brochure contains **order forms** for our current products and their accessories. Please also fill in the "General information about the wheelchair" carefully to ensure a faultless and quickest possible delivery.

Order at

- Phone +49 7432 2006-230
- Email csexport@alber.de

3. Alber sends out an order confirmation

In the **order confirmation**, you can find the ordered article with delivery times and prices.

Check the correctness of the order confirmation and inform us of any changes, if required.

Please state the number of the order confirmation with all inquiries and correspondence.

4. For mountings at the factory: send in the wheelchair

Make sure that all relevant **information for mounting** is completed on the order form and enclose a copy with the wheelchair. If there is no information about the wheelchair and mounting, mounting will be based on the optimal mounting position.

5. Delivery

Mounting in our factory:

The wheelchair with mounted Alber product will be returned to you approx. 5 business days after it is received at our factory.

Delivery for self-mounting:

According to the confirmed delivery time, you will receive the ordered Alber product with the precise mounting instructions. Check the completeness of the delivery based.



- Standard
- Option field

Required fields: ¹⁾
Information required for processing

- ORDER
- QUOTE

Invoice address (stamp or fill in legibly)

Cust. No. _____

Company _____

Street _____

ZIP/Place _____

Shipping address (if different from invoice address)

Company _____

Street _____

ZIP/Place _____

Type of order

- Self-fitting²⁾ (fully complete the section "wheelchair details")
- Fitting at the Alber factory 1466650 **100,00 EUR**

Delivery Standard 0,00 EUR

Consignment _____

e-fix E35 1566180 **please refer to your price list**

- Standard drive wheels (For a person weight of 120 kg / 260 lbs) 0,00 EUR
 - Drive wheel size⁴⁾ 22" 24"
 - 14" puncture-proof 0,00 EUR
 - 14" air tyre 80,00 EUR
 - Battery pack 5,85 Ah 0,00 EUR
 - Battery pack 7,35 Ah 1566182 160,00 EUR
- Warranty extension (to 36 months for 5,85 Ah Li-Ion battery pack) 1566198 95,00 EUR

e-fix E36 1566181 **please refer to your price list**

- Reinforced drive wheels (for a person weight of 160 kg / 350 lbs) 0,00 EUR
 - Drive wheel size⁴⁾ 24"
 - Battery pack 7,35 Ah 0,00 EUR
- Warranty extension (to 36 months for 7,35 Ah Li-Ion battery pack) 1566199 95,00 EUR

Wheelchair details

Wheelchair manufacturer _____

Model (e. g. Eurochair, 1.850) _____

Year of manufacture _____

Version (e. g. Hemi) _____

Drum brakes⁵⁾ Yes No
 ↳ Attention: Drum brakes must be removed

- Equipped with vehicle retention system (please consult with Alber Customer Service)
- Wheel base extension available

Existing wheel position

- 1 = back
- 2 = centre
- 3 = front



Important accessories

- Bracket for mounting to the wheelchair 1467178 205,00 EUR
- Anti-tippers with jack-up function 1593206 (set of two) 265,00 EUR

Seat width (seat tube measured externally) _____ cm

Seat height (rear, sling bottom edge measurement) _____ cm

- Mounting control
- Left (instead of right) Right
 - Right and Left (switchable) 1457739 66,00 EUR

Fixation for control unit mounting

- Frame tube
- Side part

Comments (mounting, delivery etc.)

- Standard
 Option field

Accessories control unit General

| | | |
|---|---------|------------|
| <input type="checkbox"/> Mobility Plus Package | 1591926 | 294,11 EUR |
| <input type="checkbox"/> Swivel arm | 1593361 | 262,00 EUR |
| <input type="checkbox"/> Protection bumper | 1565836 | 48,00 EUR |
| <input type="checkbox"/> Immobiliser key | 1456776 | 12,65 EUR |
| <input type="checkbox"/> Service key control unit red | 1565835 | 11,05 EUR |
| <input type="checkbox"/> Sticker Set „Kids“ | 1594608 | 33,53 EUR |

Joystick option

| | | |
|---|---------|-----------|
| <input type="checkbox"/> Option Special Ø 40 mm | 1565669 | 22,50 EUR |
| <input type="checkbox"/> Option Soft Ø 70 mm | 1566196 | 24,50 EUR |
| <input type="checkbox"/> Option T-handle | 1591586 | 84,00 EUR |

Speed select control support

| | | |
|---|---------|-----------|
| <input type="checkbox"/> Attachment, enlarged | 1566197 | 36,00 EUR |
|---|---------|-----------|

Assembly control unit

Bracket for control unit as attendant control
(only for wheelchairs with suitable push handles)

| | | |
|--|---------|------------|
| <input type="checkbox"/> Right | 1457754 | 122,00 EUR |
| <input type="checkbox"/> Left | 1457755 | 122,00 EUR |
| <input checked="" type="checkbox"/> Push handle <input checked="" type="checkbox"/> Push bar | | mm |

Control unit bracket for existing tray table
(control unit removable)

| | | |
|---|---------|------------|
| <input type="checkbox"/> Fitting frame tray table | 1566206 | 140,00 EUR |
|---|---------|------------|

Tray table incl. control unit bracket
(control unit centrally mounted)

| | | |
|--|---------|------------|
| <input type="checkbox"/> For SW 38 – 46 cm / 18" - 21" | 1566207 | 240,00 EUR |
| <input type="checkbox"/> For SW 46 – 54 cm / 18" - 21" | 1566208 | 240,00 EUR |

Intuitive attendant control

| | | |
|---|---------|-------------------|
| <input type="checkbox"/> Intuitive attendant control | 1566165 | 475,00 EUR |
| <input type="checkbox"/> Adapter cable Intuitive attendant control <small>(in combination with control unit EUR 0)</small> | 1566177 | 89,00 EUR |
| <input type="checkbox"/> Mounting bracket adapter cable <small>(recommended for wheelchairs with closed backs)</small> | 1566472 | 21,00 EUR |
| <input type="checkbox"/> Additional handles intuitive attendant control <small>(recommended for optimal handling)</small> | 1521212 | 48,50 EUR |
| <input type="checkbox"/> Bracket intuitive attendant control <small>(in combination with new device EUR 0)</small> | 1489217 | (pair) 136,00 EUR |

Accessories battery pack

| | | |
|--|---------|------------|
| <input type="checkbox"/> Spare battery 5.85 Ah (216 Wh) | 1565639 | 488,95 EUR |
| <input type="checkbox"/> Spare battery 7.35 Ah (265 Wh) | 1566153 | 651,90 EUR |
| <input type="checkbox"/> Transport bag for spare battery <small>(in combination with replacement battery EUR 0)</small> | 1566168 | 52,00 EUR |
| <input type="checkbox"/> Mounting set for transport bag | 1566169 | 18,00 EUR |
| <input type="checkbox"/> Mounting set for the battery on the cross brace | 1566164 | 170,00 EUR |
| <input type="checkbox"/> Mounting set for the battery on the cross tube | 1566163 | 140,00 EUR |

Accessories drive wheel

Spoke cover

| | | |
|--|---------|--|
| <input type="checkbox"/> 22" wheel, design "Alber" | 1566201 | <small>(set of two)</small> 132,50 EUR |
| <input type="checkbox"/> 22" wheel plain | 1566203 | <small>(set of two)</small> 132,50 EUR |
| <input type="checkbox"/> 24" wheel, design "Alber" | 1566670 | <small>(set of two)</small> 132,50 EUR |
| <input type="checkbox"/> 24" wheel plain | 1566666 | <small>(set of two)</small> 132,50 EUR |
| <input type="checkbox"/> Spoke cover 22" with sticker Set "Kids" | 1594609 | 133,61 EUR |
| <input type="checkbox"/> Spoke cover 24" with sticker Set "Kids" | 1594607 | 133,61 EUR |

Drive wheel extension for coupling ring

| | | |
|---|---------|--|
| <input type="checkbox"/> Set for one drive wheel | 1566179 | <small>(single)</small> 97,00 EUR |
| <input type="checkbox"/> Set for two drive wheels | 1566178 | <small>(set of two)</small> 189,00 EUR |

Axle conversion of the manual wheels ^{4) 5)} (compatible with e-fix bracket)

| | | |
|---|---------|---|
| <input type="checkbox"/> Conversion of stub axles to Ø ½" | 1565005 | <small>(set of two)</small> 85,00 EUR <small>(Conversion of drum brakes not possible, price may deviate in individual cases)</small> |
|---|---------|---|

Manual wheels ^{4) 5)} (compatible with e-fix, complete)

| | | |
|---|---------|--|
| <input type="checkbox"/> Wheel set 22" x 1 3/8" incl. 1/2" stub axles | 1520119 | <small>(set of two)</small> 155,00 EUR |
| <input type="checkbox"/> Wheel set 24" x 1 3/8" incl. 1/2" stub axles | 1520072 | <small>(set of two)</small> 155,00 EUR |

Other

| | | |
|---|---------|------------|
| <input type="checkbox"/> External charger socket (incl. clip) | 1566177 | 89,00 EUR |
| <input type="checkbox"/> Opti-Box <small>(connection option for additional functions)</small> | 1566184 | 286,00 EUR |
| <input type="checkbox"/> Opti-Box Bracket | 1566185 | 40,00 EUR |
| <input type="checkbox"/> External on/off switch (Buddy Button) <small>(only in combination with Opti-Box)</small> | 1467958 | 96,00 EUR |
| <input type="checkbox"/> Speed stop/speed limit-switch <small>(required for combining e-fix with tilt/lift wheelchairs, only in combination with Opti-Box)</small> | 1467698 | 61,00 EUR |
| <input type="checkbox"/> Brake extension set <small>(required depending on the wheelchair type)</small> | 1467780 | 22,00 EUR |

Date / /

Customer signature

Date 01.01.2026 All prices before VAT, including packaging ex factory. The general Terms and Conditions of Alber GmbH apply. Subject to changes.

- In order to smoothly and quickly process your order we require ALL information in the fields highlighted in blue.
- Installation kits can only be shipped to trained specialist dealers (installation training).
- Please send the wheelchair with a copy of this order as soon as possible and freight paid to Alber.
- If the manual wheels are used in combination with e-fix, they must be equipped with ½" stub axles, without drum brakes and tyres of size 1 3/8".
- If present, drum brakes must be dismantled as they are not compatible with e-fix drive wheels. The use of standard lever brakes is required.

e-pilot[®]



- Standard
- Required fields:** ¹⁾
Information required for processing
- Option field

- ORDER
- QUOTE

Invoice address (stamp or fill in legibly)

Cust. No. _____

Company _____

Street _____

ZIP/Place _____

Shipping address (if different from invoice address)

Company _____

Street _____

ZIP/Place _____

Type of order

- Self-fitting ²⁾ (fully complete the section "wheelchair details")
- Mounting at the Alber factory 1592353 **100,00 EUR**

- e-pilot P15** – Version 6 km/h
(Without bracket) 1591915 **please refer to your price list**
- e-pilot P15** – Version 10 km/h
(Without bracket) 1591916 **please refer to your price list**
- e-pilot P15** – Version 20 km/h
(Without bracket) 1595705 **please refer to your price list**

Important accessories

- Bracket for mounting to the wheelchair 310,00 EUR

Wheelchair details

Wheelchair manufacturer (e. g. Meyra) _____

Model (e. g. Kuschall) _____

Year of manufacture _____

Seat width:
(seat tube measured externally) _____ cm

Seat height front
(measured to lower edge of seat sling) _____ cm

Legrest angle _____ °

Knee to heel length _____ cm

Delivery Standard 0,00 EUR

Consignment _____

- Throttle grip left mounted ⁴⁾ 1593379 0,00 EUR
- Knobby tyre 1594060 88,20 EUR
- Additional weights 1593079 220,00 EUR
- Adapter for short position of handlebar (5 cm) 1595507 80,00 EUR
- Speed Upgrade 20 km/h (for existing P15 System) 1595706 150,00 EUR
- Extended warranty Li-Ion battery pack (To 36 months) 1592175 145,00 EUR

Brake type



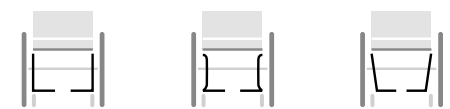
- horizontal (e. g. Performance)
- vertical (e. g. Push to lock)

Footrest version



- 1 pc. footboard
- 2 pc. footrests

Frame form



- straight
- tapered
- V-shape

Comments (mounting, delivery etc.)

e-motion[®]



- Standard
 Required fields: ¹
Information required for processing
- Option field

- ORDER
 QUOTE

Invoice address (stamp or fill in legibly) Cust. No. _____

Company _____

Street _____

ZIP/Place _____

Shipping address (if different from invoice address)

Company _____

Street _____

ZIP/Place _____

Type of order

- Self-fitting ² (fully complete the section "wheelchair details")
- Mounting at the Alber factory ³ 1592525 **100,00 EUR**

Delivery Standard 0,00 EUR

Consignment _____

- e-motion M25** – wheel size 22 " (550mm) 1592520 **please refer to your price list**
- e-motion M25** – wheel size 24 " (600mm) 1592521 **please refer to your price list**
- e-motion M25** – wheel size 25" (625mm) 1592522 **please refer to your price list**
(625 mm with Right Run tyres, 615 mm with Marathon Plus tyres)
- without remote control** 1592524 Less 500,00EUR
- Assist levels not switchable
 - Rollback delay cannot be activated

- Extended guarantee Li-Ion battery pack (to 36 months) 1592523 95,00 EUR

Seat width: (seat tube measured externally)  _____ cm

Seat height back cm (measured to lower edge of seat sling)  _____ cm

Important accessories

- Bracket for mounting to the wheelchair 1467178 205,00 EUR
- Anti-tippers with jack-up function 1593206 (set of two) 265,00 EUR

Wheel camber (if possible)

- 0°
 3°

Wheelchair details

Wheelchair manufacturer (e. g. Meyra) _____

Model (e. g. Eurochair, 1.850) _____

Year of manufacture _____

Version (e. g. Hemi) _____

Drum brakes ⁵ Yes No
 ↳ Attention: Drum brakes must be removed

- Car restraint system available (please consult with Alber customer service)
- Wheel base extension available

Existing wheel position

- 1 = back
 2 = centre
 3 = front



Comments (mounting, delivery etc.) _____

e-motion®



- Standard
 Required fields: ¹
Information required for processing

Option field

Tyres

- Schwalbe Right Run (Standard) black 1592530 0,00 EUR
(1" for wheel size 22" and 24", 1,1" for wheel size 25")
- Schwalbe Marathon Plus 1565894 48,00 EUR
with SmartGuard puncture protection, black (not available for 22")
- Pro Speed puncture-proof solid PU 1" 1592532 125,00 EUR
made of solid PU, black (+ 300 g per wheel, not available for 22" and 25")
- Puncture-proof with inlay 1 3/8" 1592533 125,00 EUR
with PU insert and tyre cover, black (+ 500 g per wheel, not available for 25")

Push rims

- Stainless steel (standard) 1592526 0,00 EUR
- Coated push rim Tetra 1592527 175,00 EUR
(not available for 25") (+250 g per wheel)
- Carbolife CURVE L, powder coated, black 1592528 380,00 EUR
(not available for 22")
- Carbolife QUADRO Tetra-Gripp coating 1592529 460,00 EUR
(Only available for 24")

Push rim covers (retrofit)

- push rim cover 22" 1592425 (pair) 125,00 EUR
- push rim cover 24" 1592421 (pair) 125,00 EUR
- push rim cover 25" 1592426 (pair) 125,00 EUR

Spoke cover (retrofit)

- Spoke cover 22", Design „Comic“ 1592266 (pair) 145,00 EUR
- Spoke cover 24", Design „Sphere“ 1592268 (pair) 145,00 EUR
- Spoke cover 25", Design „Sphere“ 1592269 (pair) 145,00 EUR
- Spoke cover 24", plain 1592553 (pair) 145,00 EUR

Accessories

- Ergonomic stub axle 1592972 (pair) 105,00 EUR
- Transport Axle 1591362 50,00 EUR
- Conversion of manual wheels to 1/2" stub axle⁴ 1565005 85,00 EUR
- Brake extension kit 1467780 (pair) 22,00 EUR
- Bracket for ECS remote control for fitting to the wheelchair 1592743 165,00 EUR

Installation of bracket remote (option)

- Right
- Left (instead of right)



Date / /

Customer signature

Date 01.01.2026. All prices before VAT, including packaging ex factory. The general Terms and Conditions of Alber GmbH apply. Subject to changes.

- 1) In order to smoothly and quickly process your order we require ALL information in the fields shaded in blue.
- 2) Installation kits can only be shipped to trained specialist dealers (installation training).
- 3) Please send the wheelchair with a copy of this order as soon as possible and carriage-paid to Alber.
- 4) If the manual wheels are used in combination with e-fix, they must be equipped with 1/2" stub axles, without drum brakes and tyres of size 1".
- 5) If present, drum brakes must be dismantled as they are not compatible with e-fix drive wheels. The use of standard lever brakes is required.

e-motion duodrive[®]



- Standard
 Option field
- Required fields:** ¹⁾
Information required for processing

- ORDER
 QUOTE

Invoice address

(stamp or fill in legibly)

Cust. No. _____

Company _____

Street _____

ZIP/Place _____

Shipping address

(if different from invoice address)

Company _____

Street _____

ZIP/Place _____

Type of order

- Self-fitting² (fully complete the section "wheelchair details")
 Mounting at the Alber factory³ 1592525 **100,00 EUR**

- e-motion DuoDrive**
 With control unit (bracket included) 1594352 **please refer to your price list**
 Wheel size 22" (550 mm)

- e-motion DuoDrive**
 With control unit (bracket included) 1594353 **please refer to your price list**
 Wheel size 24" (600 mm)

- e-motion DuoDrive**
 With control unit (bracket included) 1594355 **please refer to your price list**
 Wheel size 25"
 (625 mm with Right Run tyres, 615 mm with Marathon Plus tyres)

- Upcharge ECS Remote Control** 1592486 500,00 EUR
Rollback delay can only be activated with ECS Remote Control or smartphone app with Mobility Plus Package

Important accessories

- Bracket for mounting to the wheelchair 1467178 205,00 EUR
 Anti-tippers with jack-up function 1593206 (set of two) 265,00 EUR

Wheelchair details

Wheelchair manufacturer (e.g. Meyra) _____

Model (e.g. Eurochair, 1.850) _____

Year of manufacture _____

Version (e.g. Hemi) _____

Drum brakes⁵ Yes No
↳ Attention: Drum brakes must be removed

- Car restraint system available (please consult with Alber customer service)
 Wheel base extension available

Existing wheel position

- 1 = back
 2 = centre
 3 = front



Delivery Standard 0,00 EUR

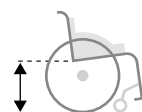
Consignment _____

- Extended guarantee Li-Ion battery pack 1592523 95,00 EUR
(to 36 months)

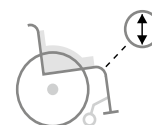
Seat width (seat tube measured externally) _____ cm



Seat height back (measured to lower edge of seat sling) _____ cm



Diameter footrest for bracket of control unit DuoDrive _____ mm



Wheel camber (if possible)

- 0°
 3°

Comments (mounting, delivery etc.)

e-motion duodrive®


 Standard

 Required fields:¹
Information required for processing

 Option field

Tyres

- Schwalbe Right Run (Standard) black 1592530 0,00 EUR
(1" for wheel size 22" and 24", 1,1" for wheel size 25")
- Schwalbe Marathon Plus 1565894 48,00 EUR
with SmartGuard puncture protection, black
(not available for 22")
- Pro Speed puncture-proof solid PU 1" 1592532 125,00 EUR
made of solid PU, black
(+ 300 g per wheel, not available for 22" and 25")
- Puncture-proof with inlay 1 3/8" 1592533 125,00 EUR
with PU insert and tyre cover, schwarz
(+ 500 g per wheel, not available for 25")

Push rims

- Stainless steel (standard) 1592526 0,00 EUR
- Coated push rim Tetra 1592527 175,00 EUR
(not available for 25")
(+250 g per wheel)
- Carbolife CURVE L 1592528 380,00 EUR
powder coated, black
(not available for 22")
- Carbolife QUADRO 1592529 460,00 EUR
Tetra-Gripp coating
(Only available for 24")

Push rim covers (retrofit)

- push rim cover 22" 1592425 (pair) 125,00 EUR
- push rim cover 24" 1592421 (pair) 125,00 EUR
- push rim cover 25" 1592426 (pair) 125,00 EUR

Spoke cover (retrofit)

- Spoke cover 22", Design „Comic“ 1592266 (pair) 145,00 EUR
- Spoke cover 24", Design „Sphere“ 1592268 (pair) 145,00 EUR
- Spoke cover 25", Design „Sphere“ 1592269 (pair) 145,00 EUR
- Spoke cover 24", plain 1592553 (pair) 145,00 EUR

Accessories

- Ergonomic stub axle 1592972 (pair) 105,00 EUR
- Transport Axle 1591362 50,00 EUR
- Conversion of manual wheels to 1/2" stub axle⁴ 1565005 85,00 EUR
- Brake extension kit 1467780 (pair) 22,00 EUR

Date _____ / _____ / _____

Customer signature _____

Date 01.01.2026. All prices before VAT, including packaging ex factory. The general Terms and Conditions of Alber GmbH apply. Subject to changes.

- 1) In order to smoothly and quickly process your order we require ALL information in the fields shaded in blue.
- 2) Installation kits can only be shipped to trained specialist dealers (installation training).
- 3) Please send the wheelchair with a copy of this order as soon as possible and carriage-paid to Alber.
- 4) If the manual wheels are used in combination with e-fix, they must be equipped with 1/2" stub axles, without drum brakes and tyres of size 1".
- 5) If present, drum brakes must be dismantled as they are not compatible with e-motion drive wheels. The use of standard lever brakes is required.



scalamobil®



- Standard
- Option field

Required fields: ¹⁾
Information required for processing

- ORDER
- COST ESTIMATE

Billing address (Stamp or complete legibly)Cust. No. Company Street ZIP/Place **Shipping address** (if different from invoice address)Company Street ZIP/Place **Type of order**

- Self-installation ²⁾ (Please complete section "wheelchair details")
- Installation at Alber factory ³⁾ 1466652 **100,00 EUR**

Shipping option Standard 0,00 EUR**Commission**

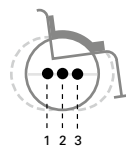
| | | | |
|--|--|---------|--|
| <input type="checkbox"/> scalamobil S45 | (ErgoBalance grips, 20 cm step height, 140 kg load capacity) | 1595225 | please refer to your price list |
| <input type="checkbox"/> scalacombi S46 | (with integrated seat unit, later attachment to wheelchairs not possible, safety sensors and support angle display, 20 cm step height, 140 kg load capacity) | 1595226 | please refer to your price list |

Wheelchair detailsWheelchair manufacturer (e.g. Meyra) Model (e.g. Eurochair, 1,850) Year of manufacture Variant (e.g. Hemi)

- Drum brakes installed
- Anti-tippers installed
- Quick release axles installed (if not, a conversion is necessary)
- Car restraint system installed (please speak to customer service)

Seat width (seat pipe outside) cmSeat height (rear, lower edge of cover) cm**Important accessories** !

- Bracket for mounting to the wheelchair 1457771 205,00 EUR
- Bracket with bolt offset
(for selected wheelchairs with a seat width between 28 cm and 38 cm at a max. occupant weight of 60 kg) 1457765 310,00 EUR
- Custom construction at factory ³⁾
(required for some nursing wheelchairs and buggies) 1466672 510,00 EUR
- Conversion of manual wheels to 1/2"
quick release axle (necessary for screw axles) 1565605 164,45 EUR
- Automatic lock, Set 1
(for wheelchairs from seat width 40 cm) 1595564 99,00 EUR
- ISOFIX connection for child seats 1594935 99,00 EUR

Current wheel position

- 1 = rear
- 2 = centre
- 3 = front

Comments (mounting, delivery etc.)

.....

.....

scalamobil®



- Standard
- Required fields: ¹⁾ Information required for processing
- Option field

Transfer systems

- Universal adapter scalaport X7 1520414 1.010,00 EUR
(for back rest wheelchair 35 cm to 55 cm, tipping supports should be removable)
- scalachair X3 foldable chair 1457912 985,00EUR

Accessories transfer systems

- Adapter set top scalaport X7 1490526 47,00 EUR
(for narrow back rests of 25 cm to 40 cm)
- Headrest for scalachair X3 1457914 142,00 EUR
(height and depth adjustable)
- Push handles for scalachair X3 1456850 110,00 EUR
- Lap belt for scalachair X3 1456343 60,00 EUR
- Suspender belt system scalachair X3 1456345 115,00 EUR
(incl. foot straps, not suitable for scalacombi S46)
- Foot strap for scalachair X3 1464910 35,50 EUR

Accessories scalamobil/scalacombi

Belt systems

- Automatic lap belt for S46 1565509 140,00 EUR
- Chest-shoulder belt for S46 1564990 320,00 EUR
- Lap belt (static) for wheelchair 1456343 60,00 EUR

Other

- Spare battery for S45/S46 1595179 168,10 EUR
- Headrest with clip function for S45/S46 1594961 165,00 EUR
- Anti-tippers for the wheelchair 1593205 (pair) 265,00 EUR
(parallel operation with scalamobil not possible)
- Tip assist for the wheelchair 1520929 55,00 EUR
(parallel operation with scalamobil not possible, not suitable for scalachair X3)

- Wheel transport bracket for attaching to the wheelchair 1467584 105,00 EUR
(saves annoying separate transport of wheels)

Please provide pipe diameter:

- 19 mm
- 22 mm
- 23.3 mm
- Other diameter cm

- Car charger 1520413 265,00 EUR
(for charging the battery pack in the vehicle while on the road)

Comments (mounting, delivery etc.)

Date / / Customer signature

Date 01.01.2026. All prices before VAT, including packaging ex factory. The general Terms and Conditions of Alber GmbH apply. Subject to changes.

1) In order to process your order efficiently and without delay, we need ALL information shaded in blue.
 2) Attachment kits can only be sent to trained specialist retailers (technical service training).
 3) Please send the wheelchair with a copy of this order as soon as possible and carriage-paid to Alber.
 4) If the manual wheels are used in combination with e-motion, they must be equipped with 1/2" quick release axles, without drum brakes and 1" tyres.



- Standard
- Required fields:** ¹⁾
Information required for processing
- Option field

- ORDER
- QUOTE

Invoice address (stamp or fill in legibly)

Cust. No. _____

Company _____

Street _____

ZIP/Place _____

Shipping address (if different from invoice address)

Company _____

Street _____

ZIP/Place _____

Type of order

- Self-fitting ²⁾ (fully complete the section "wheelchair details")
- Fitting at the Alber factory ³⁾ 1457810 100,00 EUR

Mode of shipment Standard 0,00 EUR

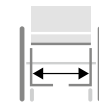
Consignment _____

- SMOOV O10** – Version 6 km/h 1592897 **please refer to your pricelist**
- SMOOV O10** – Version 10 km/h 1592898 **please refer to your pricelist**

Accessories

- SMOOV Bracket 1592899 80,00 EUR
(necessary for combination with rigid frame wheelchair)
- Adapter axle incl. bracket 1592900 125,00 EUR
Adapter axle only for wheel camber 0 – 2°
(necessary for combination with folding frame wheelchair)

Distance stub axle to stub axle inside _____ cm



Wheelchair details

Wheelchair manufacturer (e. g. Meyra) _____

Model (e. g. KÜschall) _____

Year of manufacture _____

Seat width _____ cm
 Combination with folding chair seat width from approx. 34 - 50 cm
 (seat tube measured outside)

Seat height back _____ cm
 Mounting only at seat height
 (lower edge of covering measured) > 40 cm

- Attachment for Adapter axle (pair) 1593229 22,00 EUR
(for wheelchairs with covered stub axle)
- Anti-tippers with anti-tippers with jack-up function (pair) 1593206 262,00 EUR
- Attachment for Adapter axle (pair) 1457743 125,00 EUR
- SMOOV case O10 black 1594521 126,00 EUR

Date _____ / _____ / _____

Customer signature _____

I would like to use the combination wheelchair with SMOOV one without anti-tippers. I am aware of the risk of tipping over backwards and the serious injuries that may result and I accept this intentionally.

Date _____ / _____ / _____

Name / User signature _____

Date 01.01.2026. All prices before VAT, including packaging ex factory. The general Terms and Conditions of Alber GmbH apply. Subject to changes.

1) In order to smoothly and quickly process your order we require ALL the information in the fields shaded in blue.
 2) Installation kits can only be shipped to trained specialist dealers (installation training).
 3) Please send the wheelchair with a copy of this order as soon as possible and carriage-paid to Alber.

erivo®

CE


 Standard

 Required fields: 1
Information required for processing

 Option field

 ORDER

 QUOTE
Invoice address (stamp or fill in legibly)

Cust. No. _____

Company _____

Street _____

ZIP/Place _____

Shipping address (if different from invoice address)

Company _____

Street _____

ZIP/Place _____

 erivo R10

Foldable power wheelchair, 6 km/h, 11 Ah/ 285 Wh,
battery pack (approx. 17 km range), joystick control LiNX DLX
REM060, SB 45 cm, ST 44 cm, RH 48 cm, seat cushion, charger 2 A

 Pneumatic tires

item-no. 1594813

 Puncture-proof tires with PU insert

item-no. 1595187

**Please refer to
your price list**
 erivo pro R11

Foldable electric wheelchair, 6 km/h, 30,15 Ah /760 Wh
battery pack (approx. 35 km range), lighting
joystick control LiNX DLX REM060, SB 45 cm, ST 44 cm, RH 48 cm,
seat cushion, charger 6 A

 Pneumatic tires

item-no. 1594814

 Pannensichere Bereifung mit PU-Einlage

item-no. 1595188

**Please refer to
your price list**
Consignment**Accessories**
 Attendant control LiNX DLX-REM050

item-no. 1602792

299,07 EUR
 Bracket for attendant control

item-no. 1594974

135,51 EUR

Suitable bracket for fixing the attendant control
on the backrest incl. bus cable for connection to
power module (in connection with new device 0,00 EUR)

 Lighting set

item-no. 1596041

107,48 EUR

According to StVZO, 2 white front spotlights, 2 red
reflectors (already included in the version
erivo pro R11)

 Left-hand drive conversion kit

item-no. 1595090

60,65 EUR

BUS cable 120 cm, 3x cable clips
(in conjunction with new system 0.00 Euro)

 Cane holder set

item-no. 1595089

22,34 EUR

Cane holder incl. holding strap

 Spare battery, 11,0 Ah/ 285 Wh

item-no. 1594679

540,19 EUR

additional battery or as IATA airworthy battery
< 300 Wh

 Spare battery, 30,15 Ah/760 Wh

item-no. 1594680

850,47 EUR

As additional battery not airworthy

Comments (Delivery etc.)

Date _____ / _____ / _____

Customer signature _____

Date 01.08.2026. All prices before VAT, including packaging ex factory. The general Terms and Conditions of Alber GmbH apply. Subject to changes.

1) In order to process your order smoothly and without loss of time, we require ALL information in the fields shaded in blue.



- Standard
- Required fields:¹**
Information required for processing
- Option field

- ORDER
- QUOTE

Invoice address (stamp or fill in legibly)

Cust. No. _____

Company _____

Street _____

ZIP/Place _____

Shipping address (if different from invoice address)

Company _____

Street _____

ZIP/Place _____

Type of order

- Self-fitting² (fully complete the section "wheelchair details")
- Fitting at Alber factory³ 148930 **100,00 EUR**
- via go V24** 1595002 **please refer to your price list**
- via go V24 + ergonomic control unit 1596101 **please refer to your price list**

Consignment

Wheelchair details

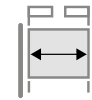
Wheelchair manufacturer (e.g. Invacare) _____

Model (e.g. Action 4 NG) _____

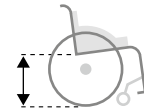
Year of manufacture _____

Version (e.g. Hemi) _____

Seat width (seat tube measured externally) _____ cm



Seat height back (measured to lower edge of seat sling) _____ cm

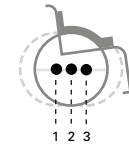


Further details wheelchair

- Equipped with drum brakes
- Equipped with anti-tippers
- Equipped with vehicle retention system
- Equipped with wheel base extension

Existing wheel position

- 1 = back
- 2 = centre
- 3 = front



Important accessories

- Standard bracket for mounting on standard- and lightweight wheelchairs with tube diameter 25 mm 1595020 **80,00 EUR**
- Bracket set for mounting on wheelchairs with different tube diameter, comfort chairs and seat shell frame 1595312 **125,00 EUR**
- Counterholder bracket control unit incl. screws for wheelchairs without drum brake or push bar 1595080 **22,00 EUR**
- Ergonomic Arthritis control lever 1596027 **105,00 EUR**

Comments (mounting, delivery etc.)

Date _____ / _____ / _____ Customer signature _____

Date 01.01.2026. All prices before VAT, including packaging ex factory. The general Terms and Conditions of Alber GmbH apply. Subject to changes.

1) In order to process your order smoothly and without loss of time, we require all information in the fields shaded in blue.
 2) Installation kits can only be shipped to trained specialist dealers (installation training).
 3) Please send the wheelchair with a copy of this order as soon as possible and carriage-paid to Alber.

viamobil®


 Standard

 Required fields: ¹⁾
Information required for processing

 Option field

 ORDER

 QUOTE

Invoice address (stamp or fill in legibly)

Cust. No. _____

Company _____

Street _____

ZIP/Place _____

Shipping address (if different from invoice address)

Company _____

Street _____

ZIP/Place _____

Type of order
 Self-fitting²⁾ (fully complete the section "Wheelchair details")

 Fitting at the Alber factory ³⁾ 1489301 100,00 EUR

 viamobil V25 1521003 **please refer to your pricelist**
Mode of shipment Standard 0,00 EUR

Consignment _____

 Extended warranty Li-Ion battery pack 1521092 95,00 EUR
(to 36 months)

Wheelchair details

Wheelchair manufacturer (e. g. Meyra) _____

Model (e. g. Eurochair, 1.850) _____

Year of manufacture _____

Version (e. g. Hemi) _____

 Equipped with brake drums

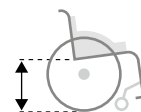
 Equipped with anti-tippers

 Equipped with stub axle

 Equipped with vehicle retention system
(please consult with Alber Customer Service)

 Wheel base extension available

 Seat width
(seat tube measured externally) _____ cm

 Seat height
(rear, sling bottom edge measurement) _____ cm

 Internal tube diameter of the wheelchair push handles in millimetres:
(information not required when ordering additional push handles)

 Round tube  D _____ mm

X _____ mm

 Round tube  Y _____ mm

Important accessories 
 Bracket for mounting to the wheelchair 1457771 205,00 EUR

 Anti-tippers 1521251 (set of two) 186,00 EUR

 Additional push handles 1521250 (set of two) 179,00 EUR

 Automatic bracket 1595564 99,00 EUR
(for wheelchair from seat width 40)

Existing wheel position
 1 = back

 2 = centre

 3 = front

Comments (mounting, delivery etc.)



viamobil®



Standard

Required fields: ¹⁾
Information required for processing

Option field

Other accessories

- Puncture-proof tyres (for wheelchair wheels) 1466421 (set of two) 135,00 EUR
- Anti-tippers for the wheelchair (without viamobil) 1593205 (set of two) 262,00 EUR

Special designs, modifications

- Special mounting at the factory 1466672 510,00 EUR
(should especially be observed for comfort wheelchairs)
- Special bracket 1457773 310,00 EUR
(especially for comfort and function wheelchairs)
- A scalamobil should additionally be adjusted
Please co-ordinate with scalamobil order no.
- Mounting aid V25 1521404 36,00 EUR

Date / / Customer signature

Date 01.01.2026. All prices before VAT, including packaging ex factory. The general Terms and Conditions of Alber GmbH apply. Subject to changes.

1) In order to smoothly and quickly process your order we require ALL information in the fields shaded in blue.
 2) Installation kits can only be shipped to trained specialist dealers (installation training).
 3) Please send the wheelchair with a copy of this order as soon as possible and carriage-paid to Alber.

viamobil eco[®]


 Standard

 Required fields: ¹⁾
Information required for processing

 Option field

 ORDER

 QUOTE

Invoice address (stamp or fill in legibly)

Cust. No. _____

Company _____

Street _____

ZIP/Place _____

Shipping address (if different from invoice address)

Company _____

Street _____

ZIP/Place _____

Type of order
 Self-fitting²⁾ (fully complete the section "wheelchair details")

 Fitting at the Alber factory ³⁾ 1489301 100,00 EUR

 viamobil eco V14 1489118 **please refer to your pricelist**
Mode of shipment Standard

0,00 EUR

Consignment _____

Wheelchair details

Wheelchair manufacturer(e. g. Meyra) _____

Model (e. g. Eurochair, 1.850) _____

Year of manufacture _____

Version(e. g. Hemi) _____

 Equipped with brake drums

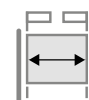
 Equipped with anti-tippers

 Equipped with vehicle retention system
(please consult with Alber Customer Service)

 Wheel base extension available

Seat width

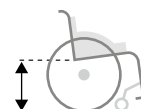
(seat tube measured externally)



_____ cm

Seat height

(rear, sling bottom edge measurement)



_____ cm

Existing wheel position
 1 = back

 2 = centre

 3 = front

Important accessories
 Bracket for mounting to the wheelchair 1489343 205,00 EUR

 Anti-tippers viamobil eco 1489339 (set of two) 186,00 EUR

Comments (mounting, delivery etc.)



viamobil eco[®]



Standard

Required fields: ¹⁾
Information required for processing

Option field

Accessories

- Spare battery for viamobil eco 1489197 161,95 EUR
- Puncture-proof tyres 1466421 (set of two) 135,00 EUR
(for wheelchair wheels)

Special designs, modifications

- A scalamobil should additionally
be installed 1467084 75,00 EUR

Please co-ordinate with scalamobil order no.


Date / / Customer signature

Date 01.01.2026. All prices before VAT, including packaging ex factory. The general Terms and Conditions of Alber GmbH apply. Subject to changes.

1) In order to smoothly and quickly process your order we require ALL information in the fields shaded in blue.
 2) Installation kits can only be shipped to trained specialist dealers (installation training).
 3) Please send the wheelchair with a copy of this order as soon as possible and carriage-paid to Alber.



| | |
|-----------------------------|-----|
| Product training | 148 |
| ATC – Alber Training Center | 149 |
| Excursion to Alber | 150 |



ALBER TRAINING CENTRE



Innovative ideas require professional training courses.

Well-structured workshops are the key to your success.

At the Alber Training Center you can brush up on and broaden your specialist knowledge with a view to providing professional consultation and optimal orientation to Alber products and also expand your service, repair and mounting competence.

Competent lecturers, practical topics, active exercises and the exchange of expertise turn the seminars into a valuable experience and are the basis for good co-operation. You will receive a certificate of attendance in accordance with the requirements of the Medical Products Act.

Alber – simply mobile.

We will inform you regularly of our current additional course offers in the Alber Export News.

Based on a modular concept, our seminars are topic-oriented and efficient.

You have the option of enhancing your knowledge in individual workshops or to specialise in a topic area. Of course, you can also book the entire workshop as a full package and become a competent Alber systems partner in all areas.

Course participants who attended an Alber workshop two years or longer ago can freshen up their knowledge in an update workshop. We offer an intensive workshop for technicians who want to gain greater insight into the topic of mounting and service.



Nico Berndt
Trainer



Christian Hofmann
Trainer

Contact at the Training Center

Your contact:

+49 7432 2006 250



Direct contact with our specialist dealers, the therapists working "on the ground" and health-payers is important to us. Alber is a modern company with transparent processes. We would be delighted to present our company to you within the framework of a product training course or to design a special training program that is tailor-made for your requirements.



| | |
|------------------------------|-----|
| Intellion | 152 |
| Alber Services at a glance | 154 |
| Warranty Service at a glance | 155 |
| System number | 156 |
| Component number | 157 |
| 7-Years spare part service | 158 |



SERVICE



WHAT IS INTELLION?

When it comes to optimising the profitability of a medical aid over its lifetime, repairs and maintenance have a decisive influence.

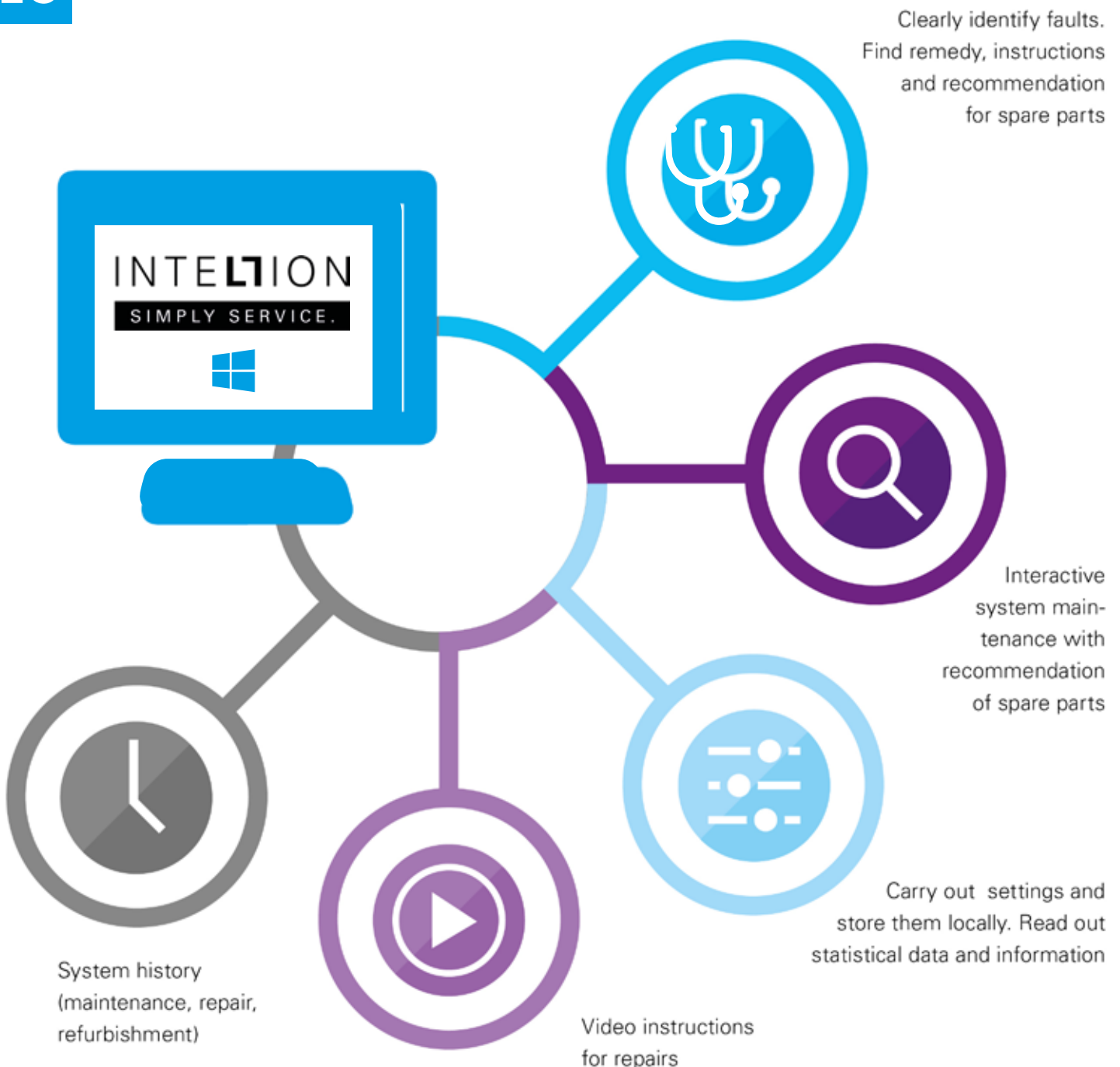
Intellion is the new, free of charge service platform, which allows the autonomous maintenance and repair of Alber products. Waiting times and additional costs due to and return shipment are usually no longer necessary.

Intellion helps you to achieve a fast, effective and cost-efficient service, it reduces waiting times and, above all, increases the profitability of your Alber products.

WHAT CAN INTELLION DO?

- Read out statistical data such as total mileage and operating hours
- Information on the condition and age of the battery
- Identification of errors with remedy, instruction for repair and recommendation for spare parts
- Generate PDF reports that can be handed over to the customer
- Step-by-step video instructions for all important repairs
- Interactive system maintenance with recommendations for spare parts
- Adjustment of the driving behaviour

NEU



THIS IS HOW EASY IT IS

- Download the Intellion software:
<https://uniserver.alber.de/Intellion.zip>
- Install Intellion the software on your computer and enter the licence code provided. Per PC workstation one licence code is required.
- Licence codes can be requested at intellion@alber.de
- The connection to the Alber systems is made via Bluetooth® or USB cable

Hardware requirements:

- Windows PC or laptop with Windows 10
- One or two free USB ports, ideally with Bluetooth® function (can be retrofitted via dongle if necessary)
- A hand-held scanner is recommended for certain workflows (see Intellion Starter Kit on the backside)



INTELLION Starter-Kit

The Intellion Starter Kit can be ordered under article number 1594590 at cost price of 125 Euro.

- USB hand-held scanner for connection to PC or laptop
- USB Bluetooth® dongle for retrofitting (if no Bluetooth® function is available)
- USB connection cable (for direct connection without Bluetooth®)



Intellion is compatible with e-motion M25, e-pilot P15, SMOOV O10, via go V24, scalamobil S45/S46, and e-fix E35/E36 (from production date July 2022).

NEW ALBER PRODUCTS THAT ARE BEING DEVELOPED IN THE FUTURE WILL ALSO BE COMPATIBLE WITH INTELLION.



48-Hours Spare parts service:

All spare parts are dispatched within 48 hours.

The advantages of using original spare parts include:

They are tested for the occurring loads and Alber remains liable for the repaired product.



5 working days delivery service:

When sending components for work-5-day repair service, it is essential to use the "Repair" advice note to ensure that all required information is fully available.

5 workday mounting and re-use service

For the 5 business days mounting and re-use service, use the associated order documents for the product to be mounted. If you additionally require an inspection and repairservice, please also include the "Repair" advice note.



7-Years Spare parts service:

The availability of spare parts during and after serial production is a

key aspect of a long-term economic plannable application period.

Alber ensures the spare part supply up to seven years after the end of production.



24-month guarantee:

As a manufacturer of high-quality mobility aids, Alber guarantees the durability and functionality of its products within the guarantee period. Should an Alber product fail despite that, it is reason enough

to act as quickly as possible to restore mobility. Any time loss for proving defects or elaborate follow up should be avoided.



Warranty services

Alber offers a general 24-month service life guarantee on all new products. For lithium-ion batteries, the service life guarantee is 24 months, for lead-gel it is 12 months. The buyer of the Alber product is exclusively entitled to claim this guarantee. The type and scope of the guarantee is based on the regulations of our Terms and Conditions.



Wearing parts

Certain parts are necessarily subject to wear and must be checked regularly and replaced when required. When we perform services here in-house, we check and replace these wearing parts when there is identifiable wear. The cost of replacing these spare parts is also included within the defined period of the guarantee*.

The defined wearing parts include:

- Tyre covers
- Inner tubes
- Batteries
- Spokes
- Brake pads
- Handle covers

*In accordance with our Terms and Conditions

Overview of Alber warranty services

| | Guarantee of durability ¹⁾ | | | Statutory warranty 2) ²⁾ | |
|-----------------------|---------------------------------------|-----------|-----------|-------------------------------------|-----------|
| | 6 months | 12 months | 24 months | 12 months | 24 months |
| New devices | | | √ | | √ |
| Brackets | | | √ | | √ |
| Lead-gel batteries | | √ | | | √ |
| Lithium-ion batteries | | | √ | | √ |
| Exchange components | √ | | | | √ |
| Spare parts | √ | | | | √ |
| Repairs | √ | | | √ | |
| Re-use in the factory | √ | | | √ | |

1) In addition to the statutory guarantee, we offer a service life guarantee of 24 months. This service life guarantee also includes shortcoming that occur in the period after the delivery, insofar as they are the responsibility of Alber within the scope of our Terms and Conditions. For details see our Terms and Conditions.

2) The statutory guarantee obligation only refers to shortcomings which already existed when the item was delivered to the purchaser.

The following are excluded from the service life guarantee:

- a.) Devices whose serial numbers have been changed, distorted or removed.
- b.) Wearing parts such as for example brake pads, tyre covers or control elements.
- c.) Defects through natural wear and tear, mishandling, in particular defects caused through non-compliance with the operating instructions, accidents, negligent damage, fire, water, acts of God and other causes that are outside the sphere of influence of Alber (including connection to the wrong voltage, the use of inadmissible overload fuses, manipulation of the device by persons not authorised by Alber, improper assembly, modification of the device).
- d.) Maintenance works caused by daily use, (e.g. replacing spent fuses, adjustment of chains).
- e.) Device check without a defect being found.



Meaning of the system number

Our speed of service is achieved through the use of heavily EDP-supported processes, which – in compliance with the Medical Products Act (MPG) – are based on identification via system or component numbers.

For this reason, you should always have the following information to hand before you make contact with our Service Centre:

- System number or component number
- Consignment
- Contact for call-backs
- A clear description of the error, or, if the error only occurs in specific situation, a brief description.

Label with the system number:

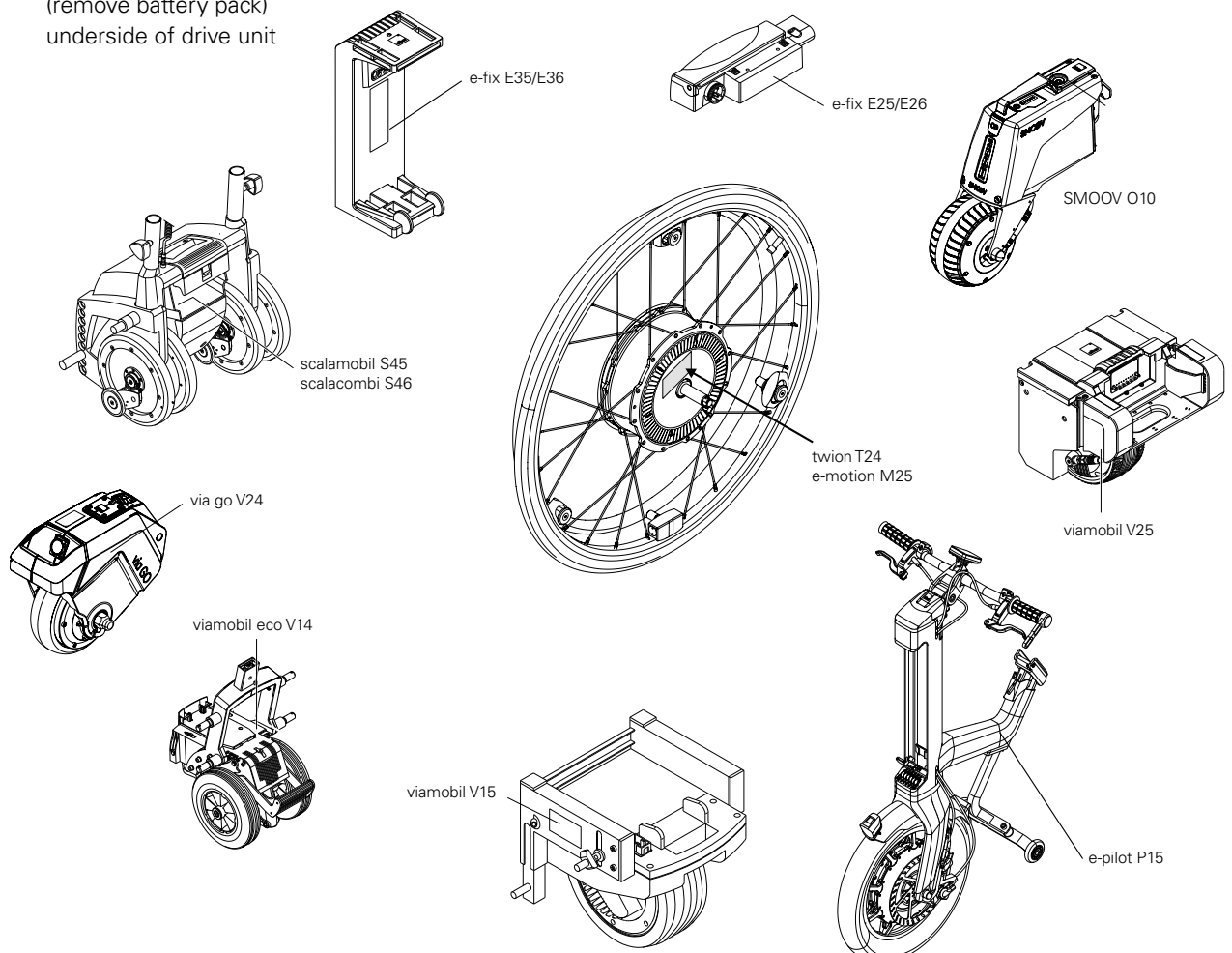
In addition to the system number, the year of construction and other technical details are indicated on the system label.



Position of the labels:

- e-fix: E25/E26 and E35/E36 on the interface
 e-motion: M25 on the back of the wheel hub
 e-pilot: battery compartment (remove battery pack)
 erivo: under the seat (remove battery pack)
 scalamobil: in the housing of the climbing unit (remove battery pack).
 SMOOV: underside of drive unit
 twion: rear side of wheel hub
 viamobil: side of motor unit
 viamobil eco: top of battery compartment (remove battery pack)
 via go: underside of drive unit

Our products already carry the so-called "UDI" (Unique Device Identification) on the system label in plain text and machine-readable form. According to the MDR, this should improve patient safety, simplify traceability and ultimately optimise market surveillance. The information on the configuration of products marked by UDI will in future be stored in the European Database for Medical Devices (EUDAMED for short) and can be accessed by anyone.





Component number

Additionally, each individual component is equipped with a component number.

The component number and the item number are both indicated on the component label. The component number is likewise a unique number, which is used by the Alber Service

Centre to track when the component was produced and what system it is associated with.

Component label

| | |
|------------------|------------|
| Item number | 1497984 |
| Component number | 9255600031 |

For security purposes – in the event that the system or component label is lost – each individual component is assigned its own internal coding.

For medical devices with wireless communication to a smartphone or to an external control unit, MDR demands additional protection against hacking and is asking for a high level of cyber security. Alber has established a 128-bit encryption to protect the communication between smartphone, control unit and drive unit.

This means for the first use of a product that an QR code must be scanned to establish a secure connection between drive unit and Smartphone. This process is guided by the corresponding Smartphone App (e-motion M25 Mobility App / SMOOV one O10 Mobility App).

For SMOOV one from production date 07/2020 the required QR code is located on the bottom of the drive unite and below the cover of the charging socket of the control unit. With the e-motion M25 from production date 12/2020 onwards the QR code is located on the wheel hub and on the bottom of the ECS remote control. The code of the DuoDrive control unit is also located below the cover of the charging socket.

All new devices are delivered in a pre-trained mode. If components are replaced, it may be necessary to pair the components once again. The procedure is explained in the corresponding user manuals. If you have any questions, please contact the Alber Service Centre. If a QR code is no longer available or readable, our Alber Service Center will also be pleased to help you.

Component label with component number



Component label with component number





Information on spare parts supply

What sets a manufacturer of high-quality aids apart from a low-cost supplier is the availability of spare parts during and after series production. Within the framework of our mobility and service concept, we guarantee availability within 24 hours for component replacement and 48 hours for spare parts.

To ensure the economic viability of aids in the long-term, the issue of spare parts availability is becoming an increasingly important factor when choosing a product. Here we have provided an orientation aid, which clearly illustrates the spare parts supply situation for Alber products.

In principle, the following applies:

Spare parts availability after last delivery of 7 years + 6 months.

The warehousing of spare parts will cease 7 years after the last delivery of a model. Thereafter, the remaining stocks will be sold off from the warehouse for a period of approx. 6 months, which can lead to restricted availability during this time frame. After 7.5 years, no further spare parts can be delivered. This is illustrated here in graphic form.

Assumption: a product was manufactured for 5 years:

Overview of the spare part availability of model lines that are no longer produced

| Product | Product Model | Market launch | Last delivered | Warehousing period (years) | Spare parts warehousing ended | Spare parts supply ended |
|----------------|---------------|---------------|----------------|----------------------------|-------------------------------|--------------------------|
| scalacombi eco | S34 | 01.06.2009 | 31.12.2020 | 5 | 31.12.2025 | 01.06.2026 |
| twion | T24 | 15.04.2014 | 31.12.2022 | 7 | 31.12.2029 | 01.06.2030 |
| scalamobil | S35/S36 | 01.01.2011 | 30.09.2024 | 7 | 30.09.2031 | 31.03.2032 |

1) In some cases the availability of spare parts for electronic components and battery cells may be shorter than 7 years. Due to the increasingly shorter life cycles of consumer and communication electronics products SMD components can be discontinued at short notice. We try to ensure long-term availability through forward-looking planning and stock-keeping but we cannot guarantee this without restrictions.



Spare parts and prices

Status 01.04.2026

| | | | |
|--------------------|-----|-----------------------|-----|
| e-fix E35/E36 | 160 | scalachair X3 | 238 |
| e-motion M25 | 179 | scalamobil accesories | 239 |
| SMOOV O10 | 191 | scalacombi eco S34 | 240 |
| e-pilot P15 | 199 | viamobil eco V14 | 252 |
| erivo R10 | 208 | via go V24 | 260 |
| scalamobil S45/S46 | 218 | viamobil V25 | 266 |
| scalacombi S46 | 226 | twion T24 | 277 |
| scalamobil S35/S38 | 228 | | |
| scalacombi S36/S39 | 236 | | |
| scalaport X7 | 237 | | |

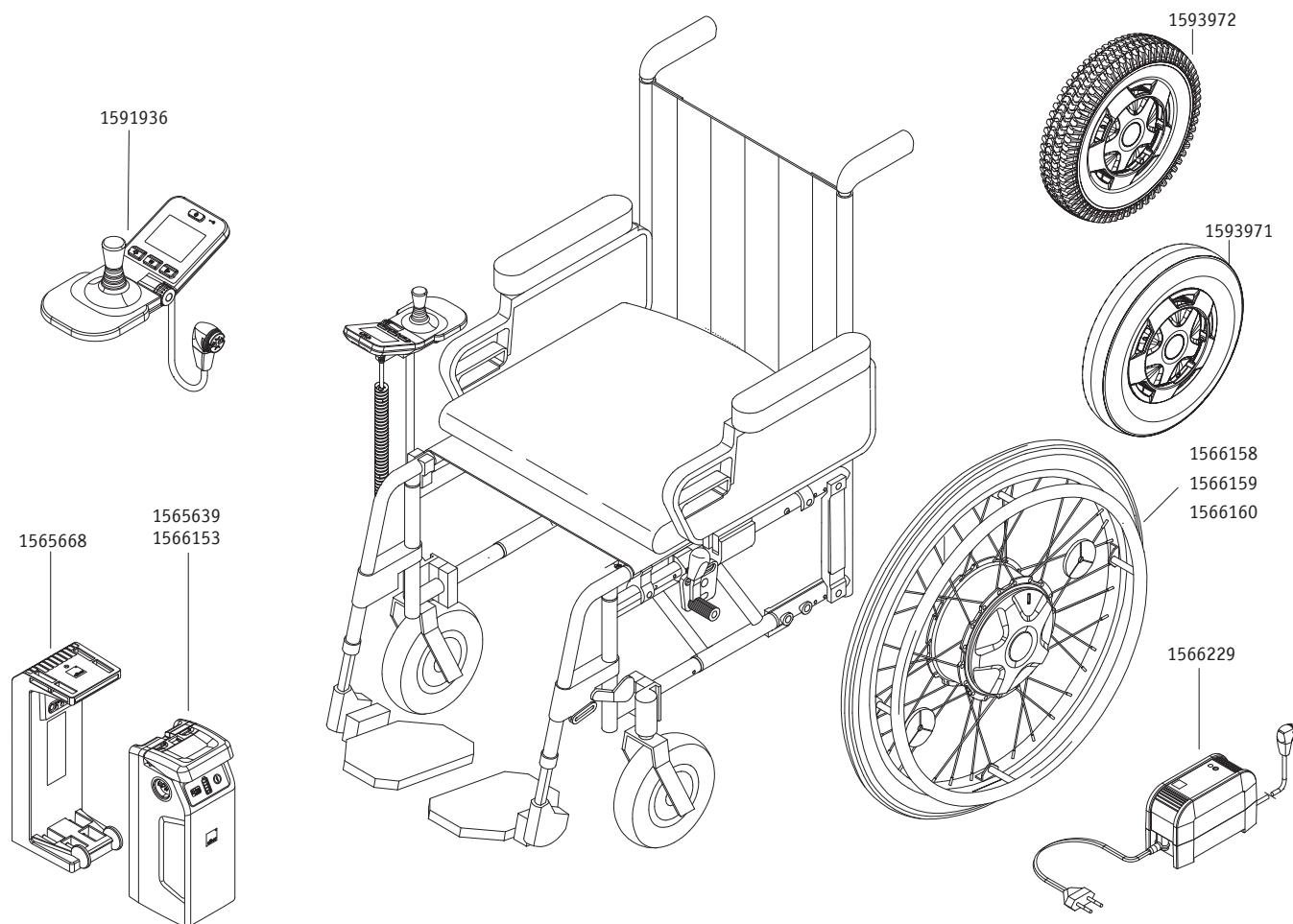
SPARE PARTS AND PRICES



| | |
|---|-----|
| e-fix E35/E36 | 160 |
| Components | 161 |
| Drive wheel 14", 22", 24" | 162 |
| Control unit | 163 |
| Battery-Pack / Interface | 164 |
| Charger | 165 |
| Bracket | 166 |
| Bracket control unit without swivel arm | 167 |
| Bracket control unit with swivel arm | 168 |
| Bracket for control unit as attendant control | 168 |
| Bracket for control unit as attendant control - spare parts | 170 |
| Bracket intuitive attendant control for tube Profil | 171 |
| Bracket intuitive attendant control for tube Profil - spare parts | 172 |
| Bracket intuitive attendant control mounted sideways | 173 |
| Bracket intuitive attendant control mounted sideways - spare parts | 174 |
| Anti-tippers with jack-up function | 175 |
| Anti-tippers without jack-up function | 176 |
| Intuitive control unit | 177 |
| Swivel arm | 178 |

e-fix E35/E36

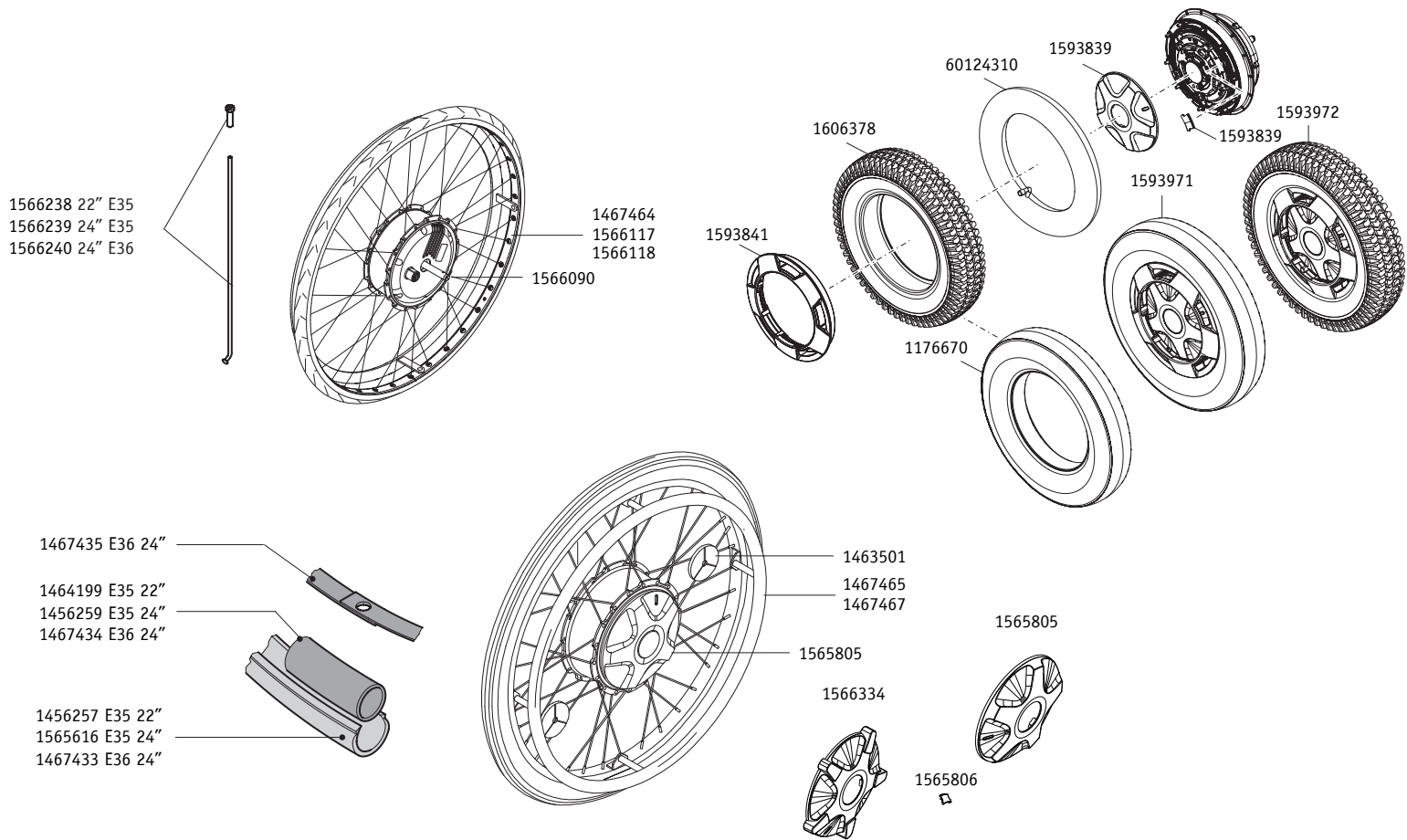
Components



| Order Number | Description | Qty | Net in EUR |
|--------------|--|-----|------------|
| 1565639 | Battery pack e-fix E35/E36, 5,85Ah | pcs | 488,95 |
| 1565668 | Battery-mount with interface e-fix E35/E36 | pcs | 607,30 |
| 1566153 | Battery pack e-fix E35/36, 7,35 Ah | pcs | 651,90 |
| 1566158 | Drive wheel e-fix E35 24" | pcs | 2353,65 |
| 1566159 | Drive wheel e-fix E35 22" | pcs | 2353,65 |
| 1566160 | Drive wheel e-fix E36 24" | pcs | 2714,95 |
| 1566229 | Charger E35 / E36 / V25 | pcs | 200,20 |
| 1591936 | Control unit with Bluetooth e-fix E35/E36 | pcs | 1151,40 |
| 1593971 | Drive wheel E35 eco 14" puncture-proof | pcs | 2292,95 |
| 1593972 | Drive wheel E35 eco 14" pneumatic tyre | pcs | 2222,15 |
| 1594875 | User manual e-fix E35/E36 - German | pcs | 10,90 |
| 1594878 | User manual e-fix E35/E36 - english | pcs | 10,90 |
| 1594879 | User manual e-fix E35/E36 - danish | pcs | 10,90 |
| 1594880 | User manual e-fix E35/E36 - spanish | pcs | 10,90 |
| 1594881 | User manual e-fix E35/E36 - french | pcs | 10,90 |
| 1594882 | User manual e-fix E35/E36 - italian | pcs | 10,90 |
| 1594883 | User manual e-fix E35/E36 - dutch | pcs | 10,90 |
| 1594884 | User manual e-fix E35/E36 - norwegian | pcs | 10,90 |
| 1594885 | User manual e-fix E35/E36 - portuguese | pcs | 10,90 |
| 1594886 | User manual e-fix E35/E36 - swedish | pcs | 10,90 |
| 1594982 | e-fix E35/E36 Docu Kit Germany | pcs | 5,20 |
| 1595003 | e-fix E35/E36 Doku Kit Other countries | pcs | 5,05 |

e-fix E35/E36

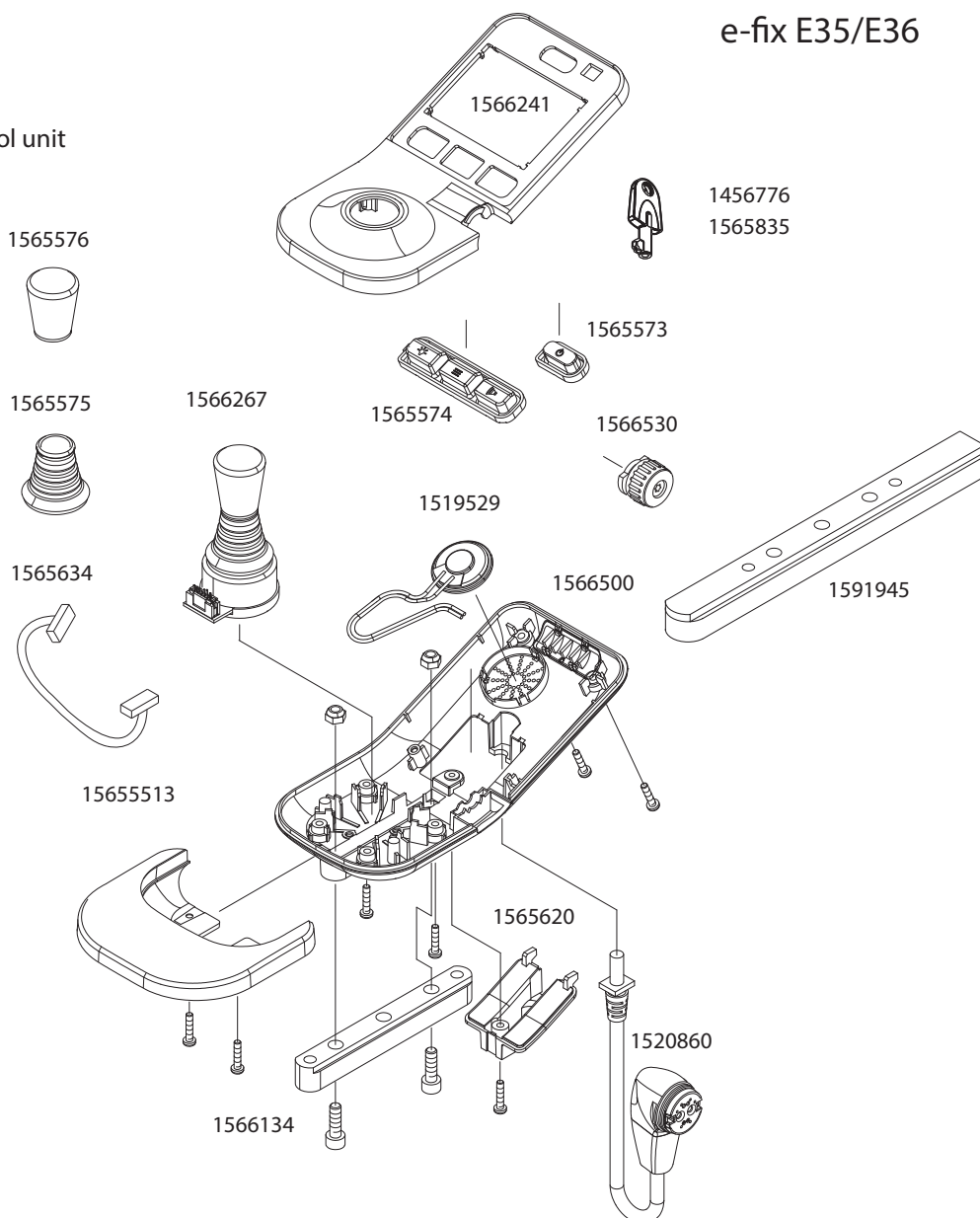
Drive wheel 14", 22", 24"



| Order Number | Description | Qty | Net in EUR |
|--------------|---|-----|------------|
| 1176670 | Black Gel tires 3.00-8 | pcs | 75,65 |
| 1456257 | Tyre 22" for e-fix E25 | pcs | 17,90 |
| 1456259 | Tube (airless) for e-fix 24" x 1 3/8" for E25 24" | pcs | 90,75 |
| 1463501 | Reflector e-fix | pcs | 7,25 |
| 1464199 | Tube (airless) 22" x 1.3/8" | pcs | 86,70 |
| 1467433 | Tyre Marathon Plus grey/black 24 x 1 3/8 (37-540) | pcs | 40,95 |
| 1467434 | Tube with car-type valve 38/47-507/541 (air pressure 5 bar) | pcs | 14,45 |
| 1467435 | Rim strip Super HP 24" (16-540) pressure resistant | pcs | 7,75 |
| 1467464 | Rim Tour silver 22" (489-21) | pcs | 41,95 |
| 1467465 | Push rim stainless steel 24" reinforced, complete | pcs | 60,80 |
| 1467467 | Push rim stainless steel 22" reinforced, complete | pcs | 60,80 |
| 1565616 | Tyre Downtown grey/black 24 x 1 3/8 (37-540) | pcs | 29,85 |
| 1565805 | Cover clutch ring, white | pcs | 40,95 |
| 1565806 | shift indicator | pcs | 7,60 |
| 1566090 | Stop screw stub axle e-fix | pcs | 5,00 |
| 1566117 | Rim Tour silver 24", eyed | pcs | 44,20 |
| 1566118 | Rim Tour black 24", reinforced and eyed | pcs | 54,00 |
| 1566238 | Spoke set E35 22" Leader 5 spokes + nipples | pcs | 20,05 |
| 1566239 | Spoke set E35 24" Leader 5 spokes + nipples | pcs | 20,05 |
| 1566240 | Spoke set E36 24" Race 5 spokes + nipples | pcs | 27,60 |
| 1566334 | Coupling ring E35/E36 with extension complete | pcs | 116,85 |
| 1593839 | Coupling ring E34, e-fix E35 eco | pcs | 35,55 |
| 1593841 | Ring with pull-off function | pcs | 121,95 |
| 1593971 | Drive wheel E35 eco 14" puncture-proof | pcs | 2292,95 |
| 1593972 | Drive wheel E35 eco 14" pneumatic tyres | pcs | 2222,15 |
| 1606378 | Tyres 3.00-8 black | pcs | 75,65 |
| 60124310 | Tube for tyre 2.50/3.00-8 TR87 | pcs | 14,10 |

e-fix E35/E36

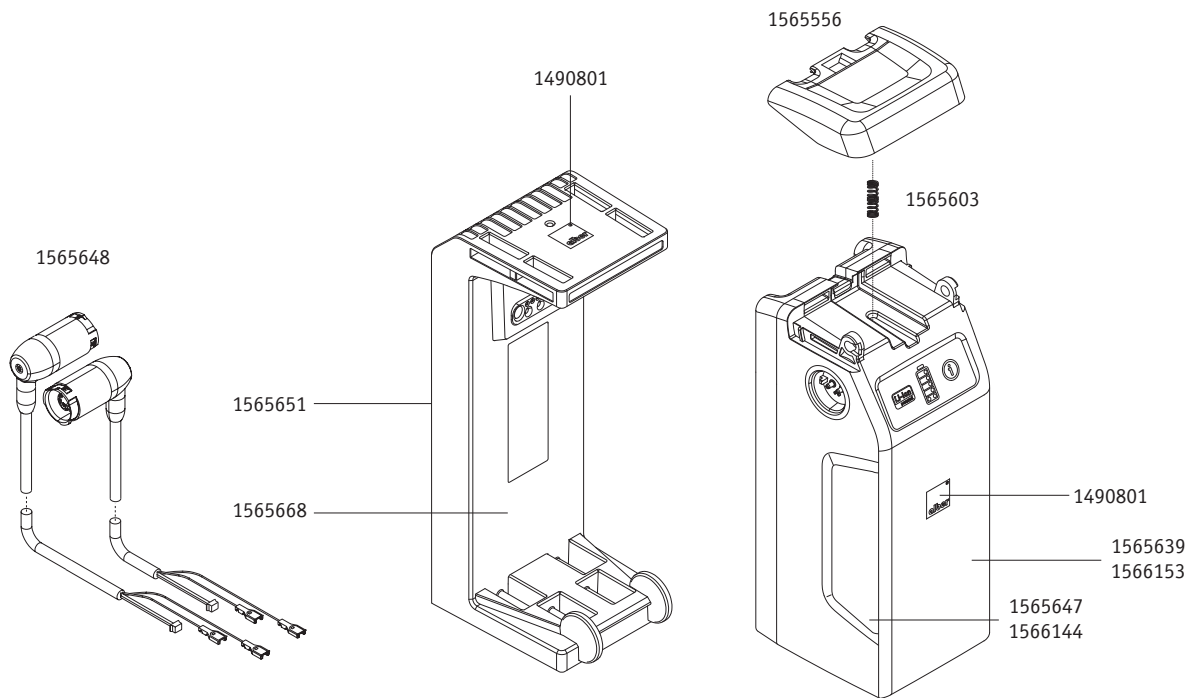
Control unit



| Order Number | Description | Qty | Net in EUR |
|--------------|---|-----|------------|
| 1456567 | Screw Ejot PT K 30 x 8 WN 1451 | pcs | 0,15 |
| 1456776 | Immobiliser key V25/E3x/S35 grey | pcs | 13,60 |
| 1459095 | Screw for width adjustment X6 | pcs | 0,25 |
| 1459626 | Hexagon nut ISO 4032 - M5 - 6 AU | pcs | 0,15 |
| 1463520 | Screw Ejot PT K 30 x 14 WN | pcs | 0,15 |
| 1463627 | Screw Ejot PT K 30 x 12 WN 1423 | pcs | 0,10 |
| 1519529 | Speaker with cable for E25/E26/E35/Q10 | pcs | 13,25 |
| 1520860 | Cable for control unit V25 / E35 / E36 | pcs | 65,15 |
| 1565513 | Hand rest for control unit E35/E36 | pcs | 34,00 |
| 1565573 | Switch ON/OFF | pcs | 15,75 |
| 1565574 | Switch MENU | pcs | 19,05 |
| 1565575 | Gaiter for joystick E35/E36 | pcs | 19,00 |
| 1565576 | Joystickknob standard E35/E36 | pcs | 6,80 |
| 1565620 | Control unit service window E35/E36 | pcs | 10,30 |
| 1565634 | Cable for joystick E35/E36 | pcs | 15,80 |
| 1565835 | Service key for control unit e-fix E35/E36 red | pcs | 11,35 |
| 1566134 | Rail for control unit E35/E36 | pcs | 37,90 |
| 1566241 | Housing upper part for control unit e-fix E35/E36 | pcs | 108,95 |
| 1566267 | Joystick E35/E36 complete | pcs | 273,25 |
| 1566500 | Control unit housing lowerpart E35/36 incl.headlight glas | pcs | 58,55 |
| 1566530 | Speed selection wheel E35/E36 pre-assembled | pcs | 45,35 |
| 1591945 | Bracket set strip long E35/36, E34/34z | pcs | 65,00 |

e-fix E35/E36

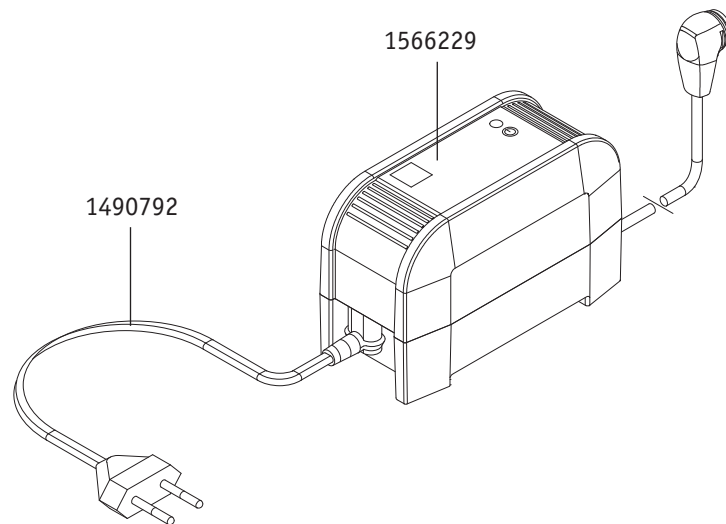
Battery-Pack / Interface



| Order Number | Description | Qty | Net in EUR |
|--------------|---|-----|------------|
| 1490801 | Alber Logo 17 x 17mm | pcs | 5,25 |
| 1565556 | Handle for battery-pack E35/E36 | pcs | 18,45 |
| 1565603 | Pressure spring battery-pack E35/E36 | pcs | 1,70 |
| 1565639 | Battery pack e-fix E35/E36, 5,85Ah | pcs | 488,95 |
| 1565647 | Sticker on handle standard battery-pack 6,0 Ah | pcs | 6,80 |
| 1565648 | Motor cable E35/E36 | pcs | 58,65 |
| 1565651 | Cover battery-interface with sealing E35 / E36 | pcs | 31,75 |
| 1565668 | Battery-mount with interface e-fix E35/E36 | pcs | 607,30 |
| 1566144 | Sticker handle powerline battery-pack 7,5 Ah | pcs | 7,90 |
| 1566153 | Battery pack e-fix E35/36, 7,35 Ah,, | pcs | 651,90 |
| 1566258 | Hook and Loop Fastener kit 2 for e-fix E35/E36 (SW 40-50cm) | pcs | 30,05 |
| 1566313 | Hook and Loop Fastener strap kit 1 for e-fix E35/E36 (SW <40cm) | pcs | 30,50 |
| 1566314 | Hook and Loop Fastener strap kit 3 for e-fix E35/E36 (SW >50cm) | pcs | 30,50 |

e-fix E35/E36

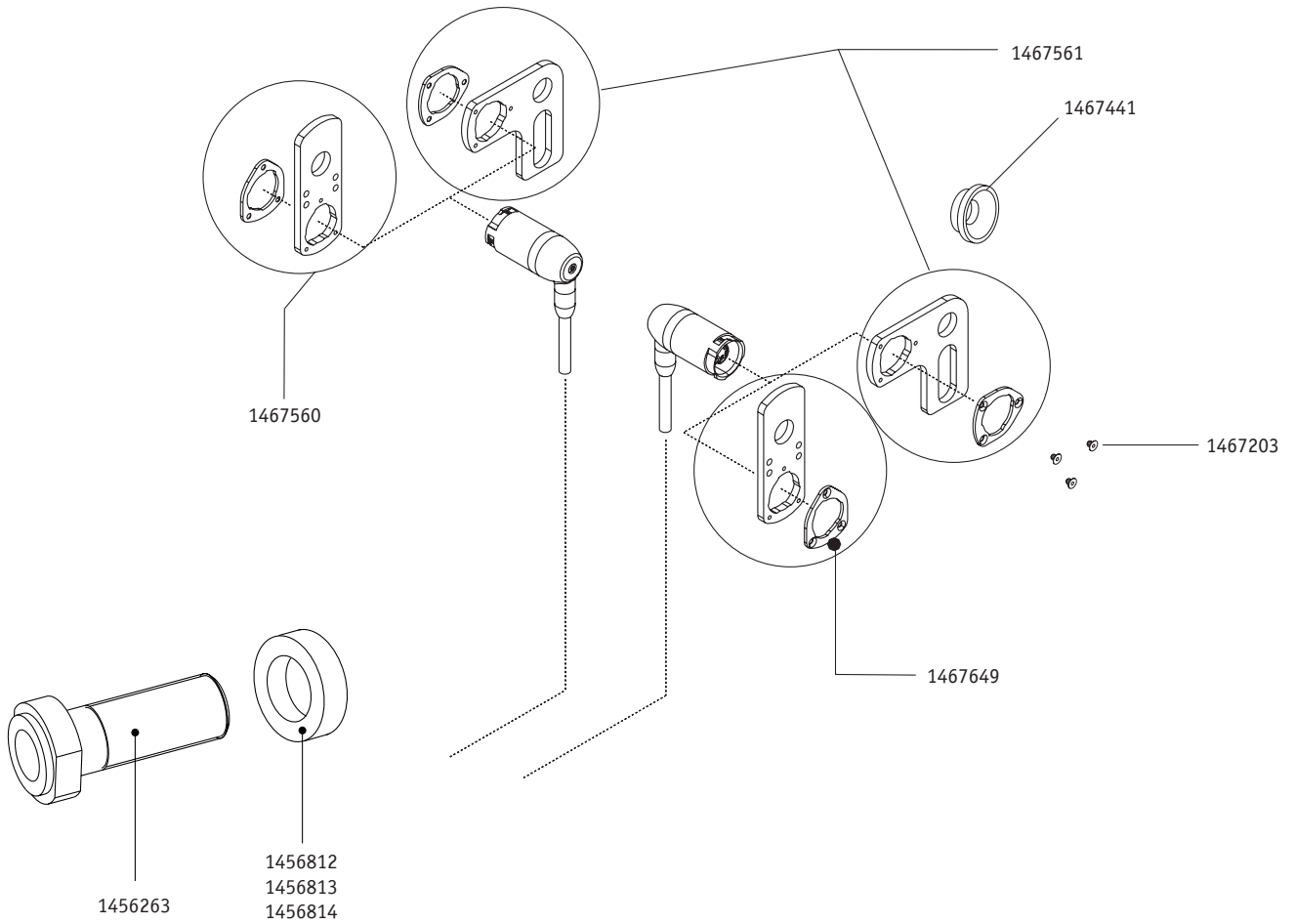
Charger



| Order Number | Description | Qty | Net in EUR |
|--------------|----------------------------|-----|------------|
| 1490792 | Main cable for charger, EU | pcs | 23,45 |
| 1566229 | Charger E35 / E36 / V25 | pcs | 200,20 |

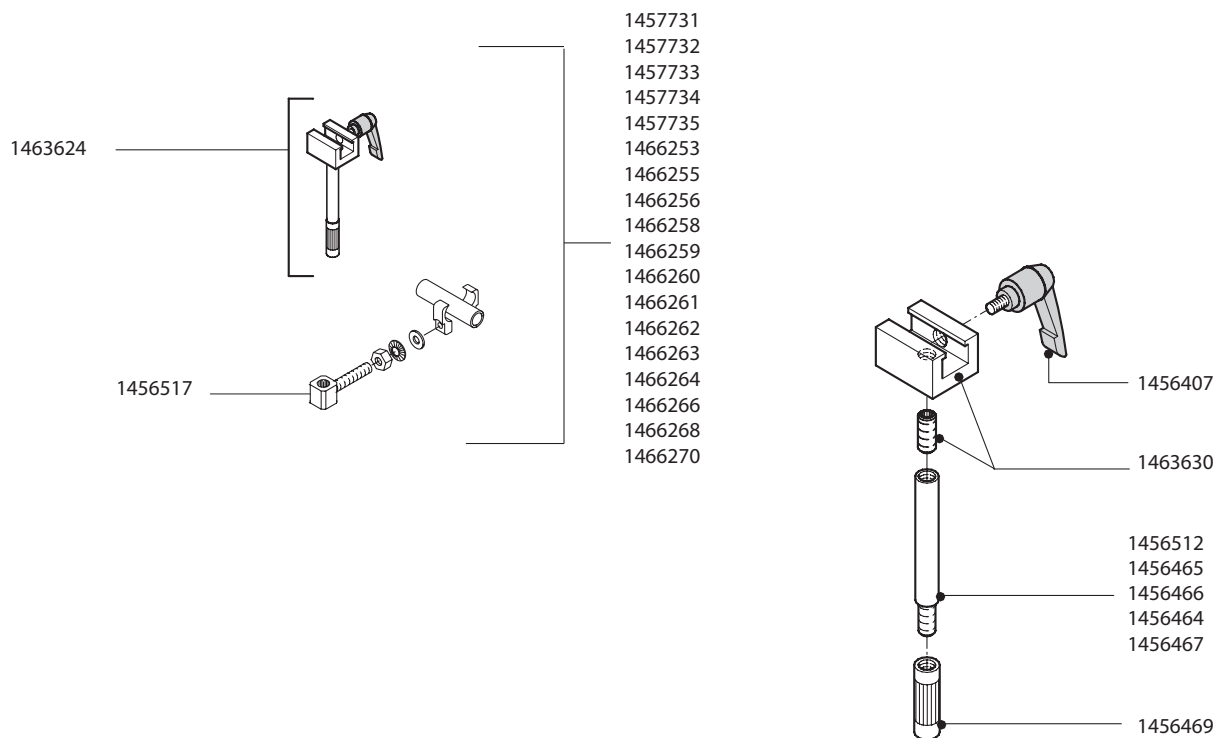
e-fix E35/E36

Bracket



| Order Number | Description | Qty | Net in EUR |
|--------------|---|-----|------------|
| 1456263 | Adapter sleeve 1/2" Length 50.8mm with nut | pcs | 16,50 |
| 1456812 | Spacer ring aluminium 25 x 17 x 10 long | pcs | 1,25 |
| 1456813 | Spacer ring aluminium 25 x 17 x 8 long | pcs | 1,25 |
| 1456814 | Spacer ring aluminium 25 x 17 x 5 long | pcs | 1,25 |
| 1463520 | Screw Ejot PT K 30 x 14 WN | pcs | 0,15 |
| 1467203 | Countersunk head screw Torx M 3 x 6 | pcs | 0,35 |
| 1467441 | Sliding block for torque receiver e-fix | pcs | 2,85 |
| 1467560 | Installation kit for straight torque receiver e-fix | pcs | 30,30 |
| 1467561 | Installation kit for right-angled torque receiver e-fix | pcs | 30,30 |
| 1467649 | Fixation plate for torque receiver e-fix | pcs | 4,50 |

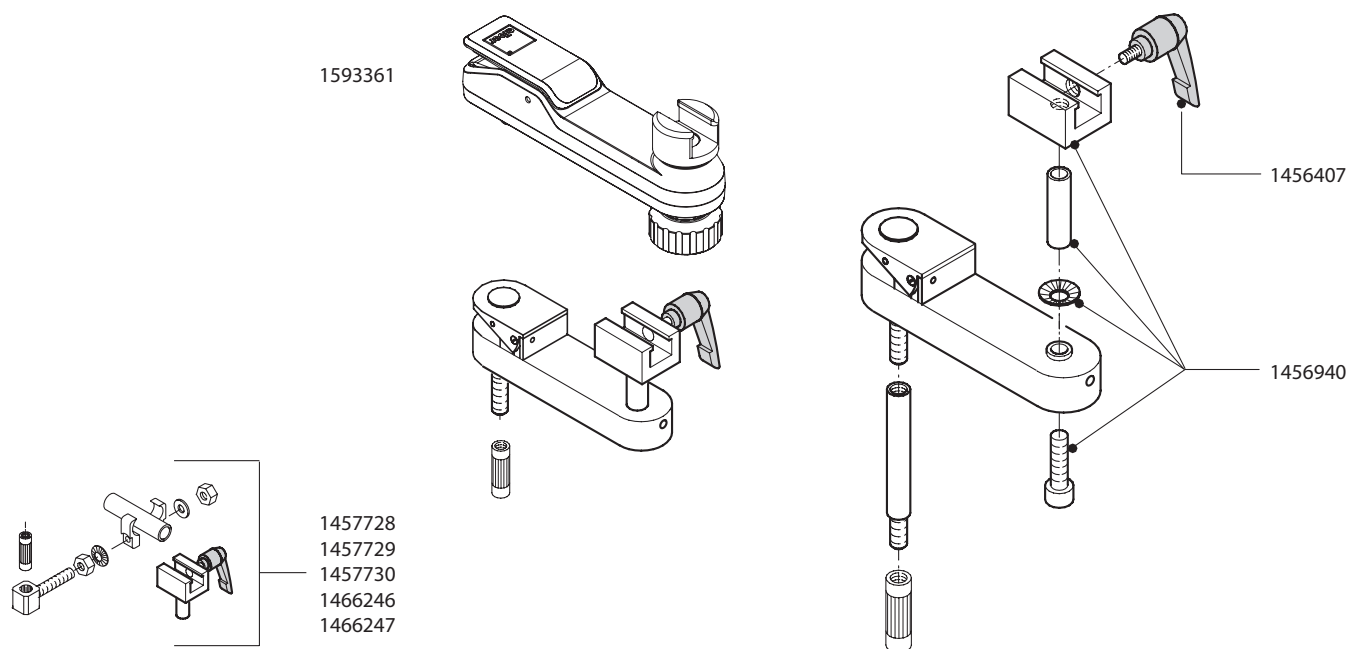
e-fix E35/E36

Bracket control unit
without swivel arm

| Order Number | Description | Qty | Net in EUR |
|--------------|--|-----|------------|
| 1456407 | Clamping lever with outer thread M 6 x 10 | pcs | 28,40 |
| 1456464 | Connecting tube 80mm | pcs | 13,25 |
| 1456465 | Connecting tube 50mm | pcs | 13,25 |
| 1456466 | Connecting tube 70mm | pcs | 13,25 |
| 1456467 | Connecting tube 100mm | pcs | 13,25 |
| 1456469 | Toothed part brass | pcs | 17,60 |
| 1456512 | Connecting tube 25mm | pcs | 13,25 |
| 1456517 | Holder for toothed part with threaded rod toothed and chromium-plated | pcs | 19,37 |
| 1457731 | Bracket for control unit Ø18mm mounted on armrest tube without swivel arm | pcs | 140,00 |
| 1457732 | Bracket for control unit Ø21mm mounted on armrest tube without swivel arm | pcs | 140,00 |
| 1457733 | Bracket for control unit Ø20mm mounted on frame tube without swivel arm | pcs | 140,00 |
| 1457734 | Bracket for control unit Ø22mm mounted on frame tube without swivel arm | pcs | 140,00 |
| 1457735 | Bracket for control unit Ø24mm mounted on frame tube without swivel arm | pcs | 140,00 |
| 1463624 | Holder control unit for attachment to the wheelchair | pcs | 101,30 |
| 1463630 | Sliding adapter for control unit e-fix | pcs | 36,70 |
| 1466253 | Bracket for control unit e-fix without swivel arm connection mounted on wheelchair armrest tube Ø 17mm | pcs | 140,00 |
| 1466255 | Bracket for control unit e-fix without swivel arm connection mounted on wheelchair armrest tube Ø 19mm | pcs | 140,00 |
| 1466256 | Bracket for control unit e-fix without swivel arm connection mounted on wheelchair armrest tube Ø 20mm | pcs | 140,00 |
| 1466258 | Bracket for control unit e-fix without swivel arm connection mounted on wheelchair armrest tube Ø 22mm | pcs | 140,00 |
| 1466259 | Bracket for control unit e-fix without swivel arm connection mounted on wheelchair armrest tube Ø 23mm | pcs | 140,00 |
| 1466260 | Bracket for control unit e-fix without swivel arm connection mounted on wheelchair armrest tube Ø 24mm | pcs | 140,00 |
| 1466261 | Bracket for control unit e-fix without swivel arm connection mounted on wheelchair armrest tube Ø 25mm | pcs | 140,00 |
| 1466262 | Bracket for control unit e-fix without swivel arm connection mounted on wheelchair frame tube Ø 17mm | pcs | 140,00 |
| 1466263 | Bracket for control unit e-fix without swivel arm connection mounted on wheelchair frame tube Ø 18mm | pcs | 140,00 |
| 1466264 | Bracket for control unit e-fix without swivel arm connection mounted on wheelchair frame tube Ø 19mm | pcs | 140,00 |
| 1466266 | Bracket for control unit e-fix without swivel arm connection mounted on wheelchair frame tube Ø 21mm | pcs | 140,00 |
| 1466268 | Bracket for control unit e-fix without swivel arm connection mounted on wheelchair frame tube Ø 23mm | pcs | 140,00 |
| 1466270 | Bracket for control unit e-fix without swivel arm connection mounted on wheelchair frame tube Ø 25mm | pcs | 140,00 |
| 156435 | bracket for control unit 30 mm without swivel arm adaption | pcs | 140,00 |

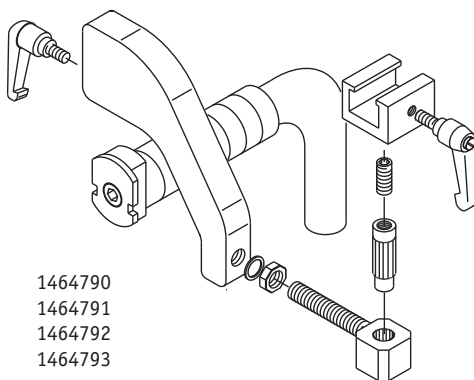
e-fix E35/E36

Bracket control unit with swivel arm

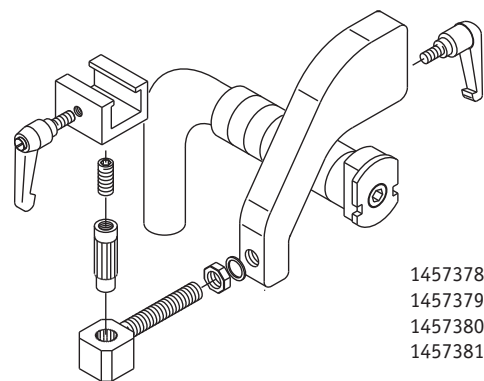


| Order Number | Description | Qty | Net in EUR |
|--------------|--|-----|------------|
| 1456407 | Clamping lever with outer thread M 6 x 10 | pcs | 28,40 |
| 1456469 | Toothed part brass | pcs | 17,60 |
| 1456940 | Bracket for swivel arm | pcs | 51,70 |
| 1457728 | Bracket for control unit Ø21mm mounted on frame tube with swivel arm | pcs | 140,00 |
| 1457729 | Bracket for control unit Ø22mm mounted on frame tube with swivel arm | pcs | 140,00 |
| 1457730 | Bracket for control unit Ø24mm mounted on frame tube with swivel arm | pcs | 140,00 |
| 1593361 | Swivel arm for control unite e-fix E35/E36 | pcs | 262,00 |
| 1466246 | Bracket for control unit e-fix with swivel arm connection mounted on wheelchair frame tube | pcs | 140,00 |
| 1466247 | Bracket for control unit e-fix with swivel arm connection mounted on wheelchair frame tube | pcs | 140,00 |

e-fix E35/E36

Bracket for control unit
as attendant control

1464790
1464791
1464792
1464793

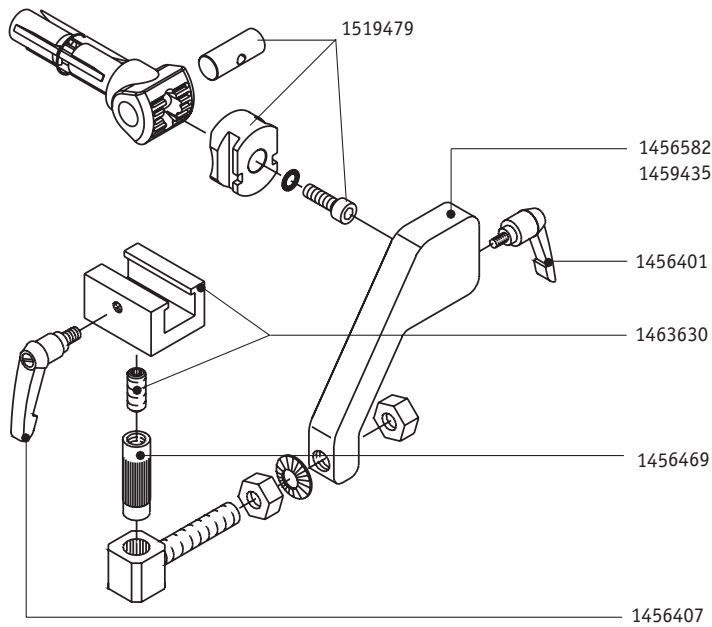


1457378
1457379
1457380
1457381

| Order Number | Description | Qty | Net in EUR |
|--------------|---|-----|------------|
| 1457378 | Bracket for attendant control right for push handle Profile 18,5 x 12,5mm | pcs | 122,00 |
| 1457379 | Bracket for attendant control right for push handle Profile 12,5 x 8,5mm | pcs | 122,00 |
| 1457380 | Bracket for attendant control right for push handle round D 11-15mm | pcs | 122,00 |
| 1457381 | Bracket for attendant control right for push handle round D 15-20mm | pcs | 122,00 |
| 1464790 | Bracket for attendant control e-fix left Fixation Profile 18,5 x 12,5mm | pcs | 122,00 |
| 1464791 | Bracket for attendant control e-fix left Fixation Profile 12,5 x 8,5mm | pcs | 122,00 |
| 1464792 | Bracket for attendant control e-fix left Fixation round D 11-15mm | pcs | 122,00 |
| 1464793 | Bracket for attendant control e-fix left Fixation round D 15-20mm | pcs | 122,00 |

e-fix E35/E36

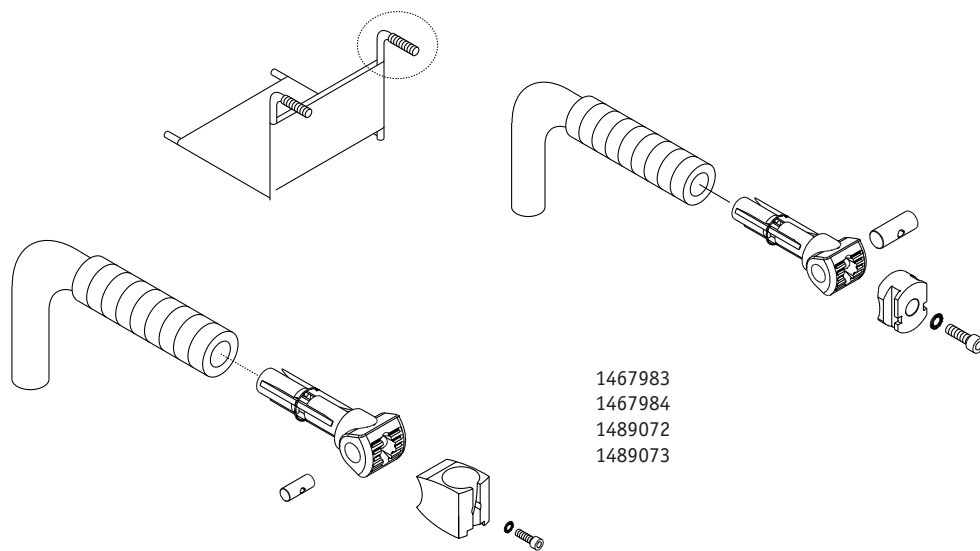
Bracket for control unit
as attendant control - spare parts



| Order Number | Description | Qty | Net in EUR |
|--------------|---|-----|------------|
| 1456401 | Clamping lever with outer thread M 5 x 10 | pcs | 16,40 |
| 1456407 | Clamping lever with outer thread M 6 x 10 | pcs | 28,40 |
| 1456469 | Toothed part brass | pcs | 17,60 |
| 1456582 | Fixation for attendant control right | pcs | 125,05 |
| 1459435 | Fixation for attendant control left | pcs | 125,05 |
| 1463630 | Sliding adapter for control unit e-fix | pcs | 36,70 |
| 1519479 | Sliding adapter complete | pcs | 25,55 |

e-fix E35/E36

Bracket intuitive attendant control
for tube Profil

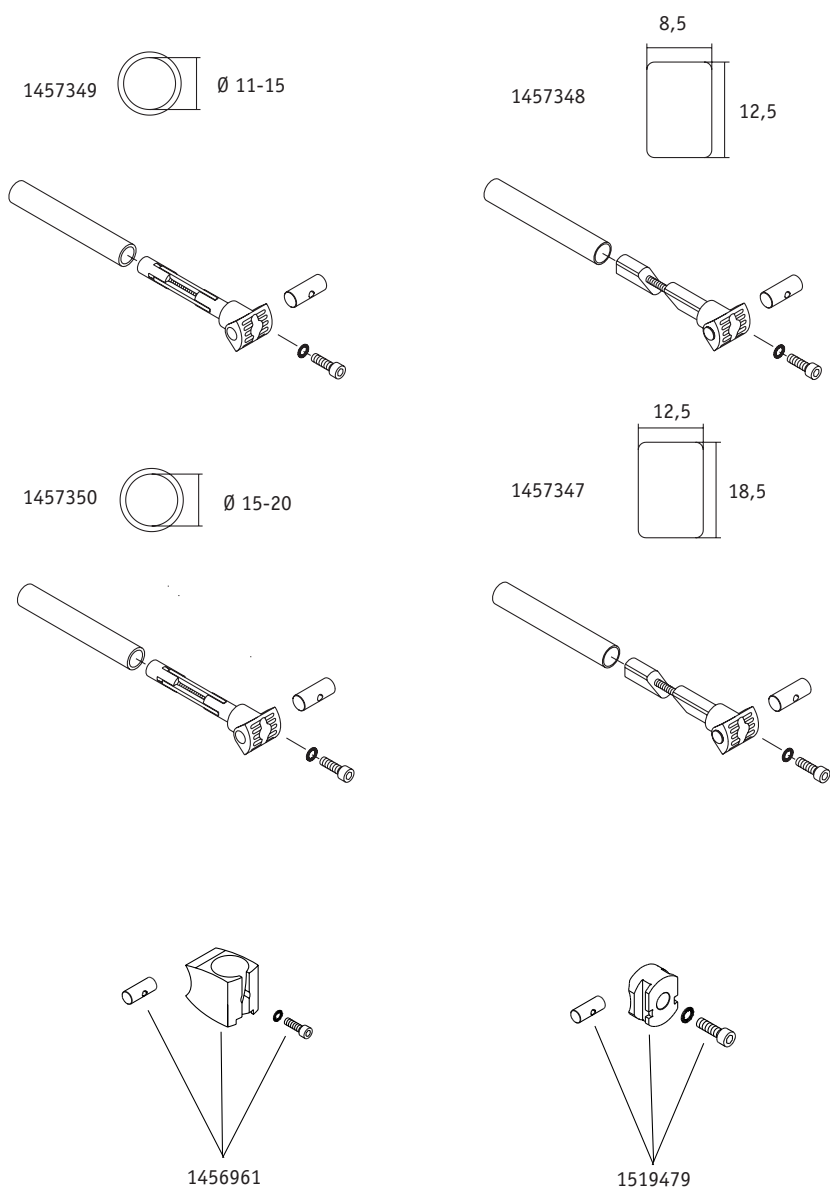


1467983
1467984
1489072
1489073

| Order Number | Description | Qty | Net in EUR |
|--------------|---|-----|------------|
| 1467983 | Bracket intuitive attendant control for tube Profil 18,5 x 12,5mm | pcs | 136,00 |
| 1467984 | Bracket intuitive attendant control for tube Profil 12,5 x 8,5mm | pcs | 136,00 |
| 1489072 | Bracket intuitive attendant control for tube rund D 11-15mm | pcs | 136,00 |
| 1489073 | Bracket intuitive attendant control for tube rund D 15-20mm | pcs | 136,00 |

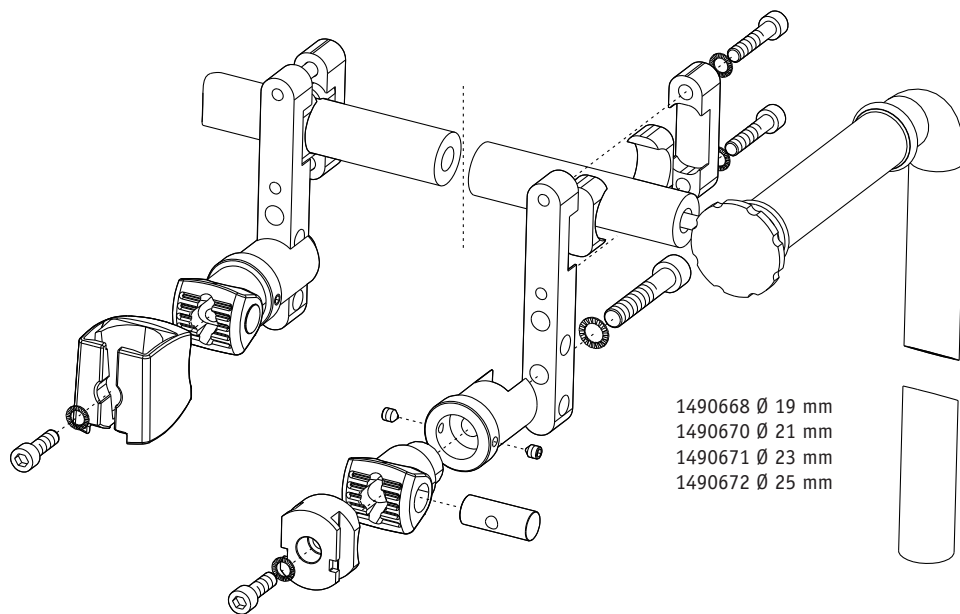
e-fix E35/E36

Bracket intuitive attendant control
for tube Profil - spare parts



| Order Number | Description | Qty | Net in EUR |
|--------------|---|-----|------------|
| 1456961 | Ballcup fixation complete | pcs | 20,25 |
| 1457347 | Fixation profile 18,5 x 12,5mm complete | pcs | 62,00 |
| 1457348 | Fixation profile 12,5 x 8,5mm complete | pcs | 62,00 |
| 1457349 | Fixation round 12-15mm complete | pcs | 62,00 |
| 1457350 | Fixation round d=15-20mm complete | pcs | 62,00 |
| 1519479 | Sliding adapter complete | pcs | 25,55 |

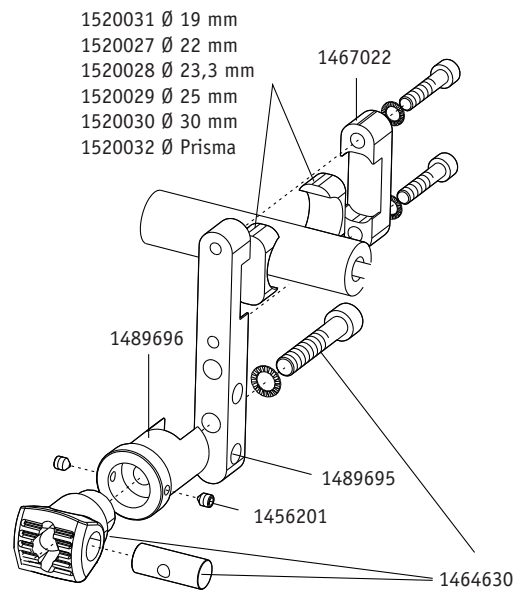
e-fix E35/E36

Bracket intuitive attendant control
mounted sideways

| Order Number | Description | Qty | Net in EUR |
|--------------|--|-----|------------|
| 1490668 | Bracket intuitive attendant control (pair) Ø19mm, mounted sideways | pcs | 136,00 |
| 1490670 | Bracket intuitive attendant control (pair) Ø22mm, mounted sideways | pcs | 136,00 |
| 1490671 | Bracket intuitive attendant control (pair) Ø23mm, mounted sideways | pcs | 136,00 |
| 1490672 | Bracket intuitive attendant control (pair) Ø25mm, mounted sideways | pcs | 136,00 |

e-fix E35/E36

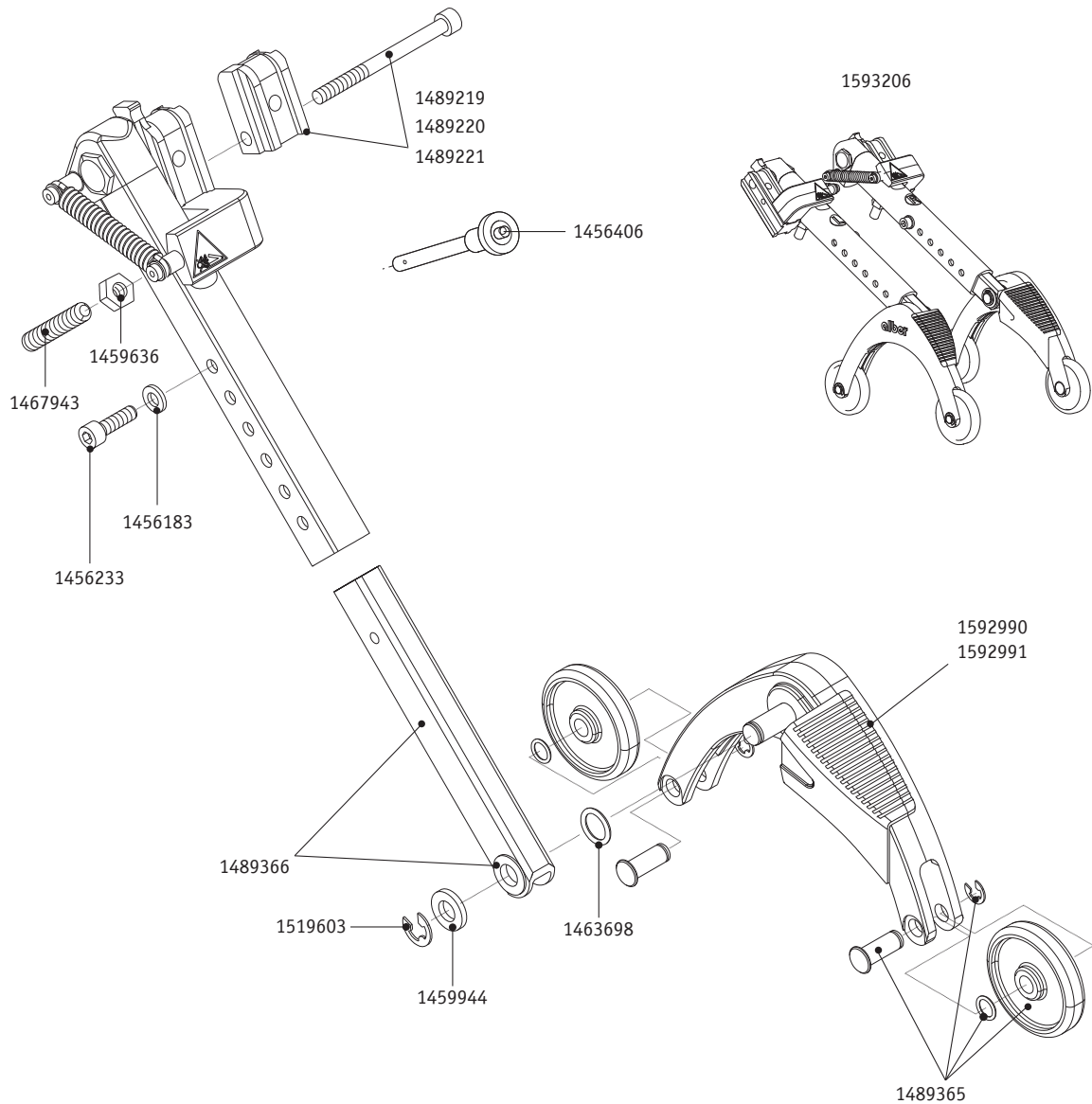
Bracket intuitive attendant control
mounted sideways - spare parts



| Order Number | Description | Qty | Net in EUR |
|--------------|---|-----|------------|
| 1456201 | Threaded pin ISO4027 M 5 x 6 | pcs | 1,65 |
| 1464630 | Tube adapter for control unit complete | pcs | 39,65 |
| 1520027 | Inlet profile 22mm | pcs | 4,10 |
| 1520028 | Inlet profile 23mm | pcs | 4,10 |
| 1520029 | Inlet profile 25mm | pcs | 4,10 |
| 1520030 | Inlet profile 30mm | pcs | 4,10 |
| 1520031 | Inlet profile 19mm | pcs | 4,10 |
| 1520032 | Inlet profile prism | pcs | 4,10 |
| 1467022 | Clamp colourless anodized | pcs | 28,00 |
| 1489695 | Holder for control unit colourless anodized | pcs | 38,50 |
| 1489696 | Adapter for control unit fixation | pcs | 13,40 |

e-fix E35/E36

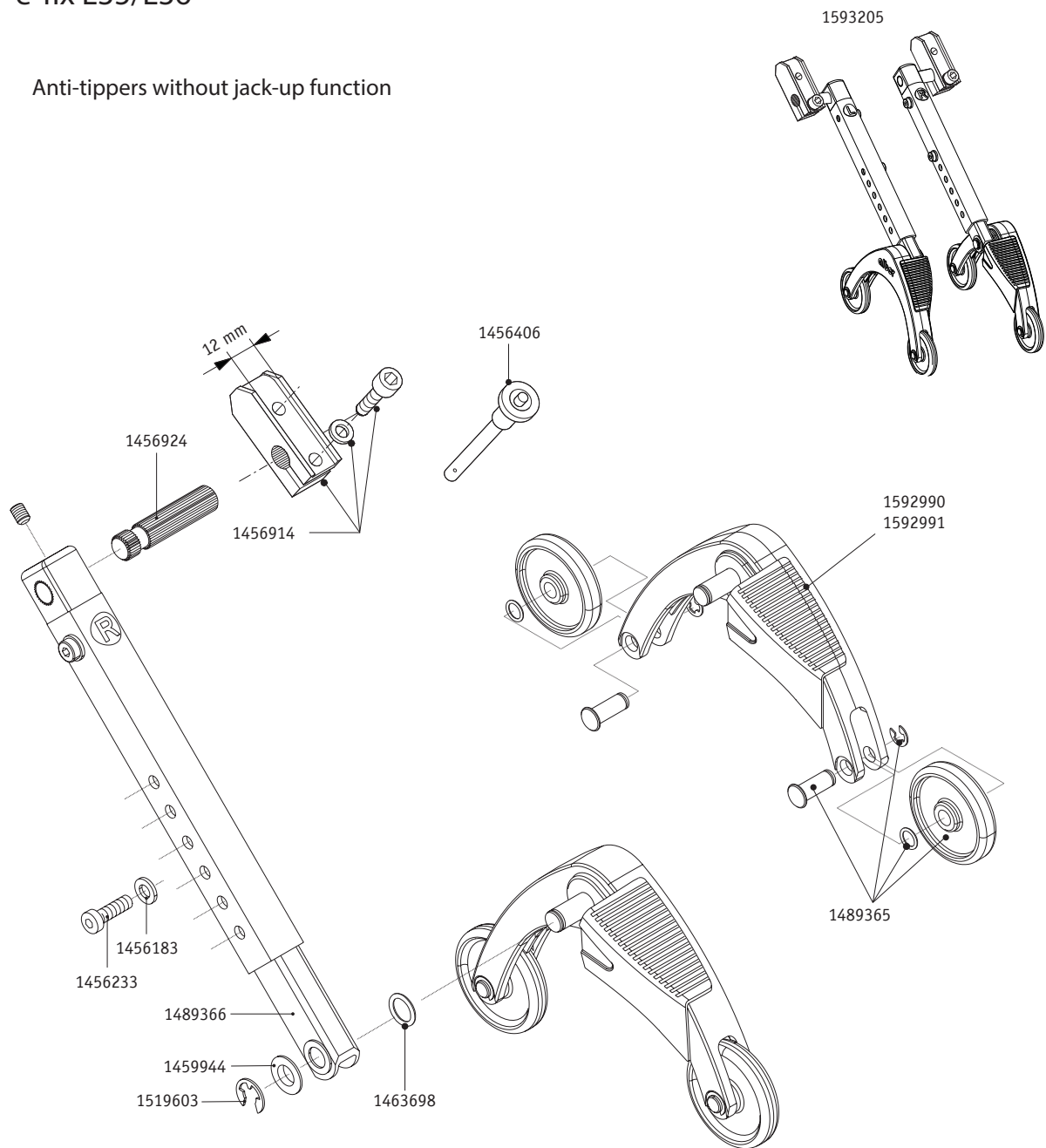
Anti-tippers with jack-up function



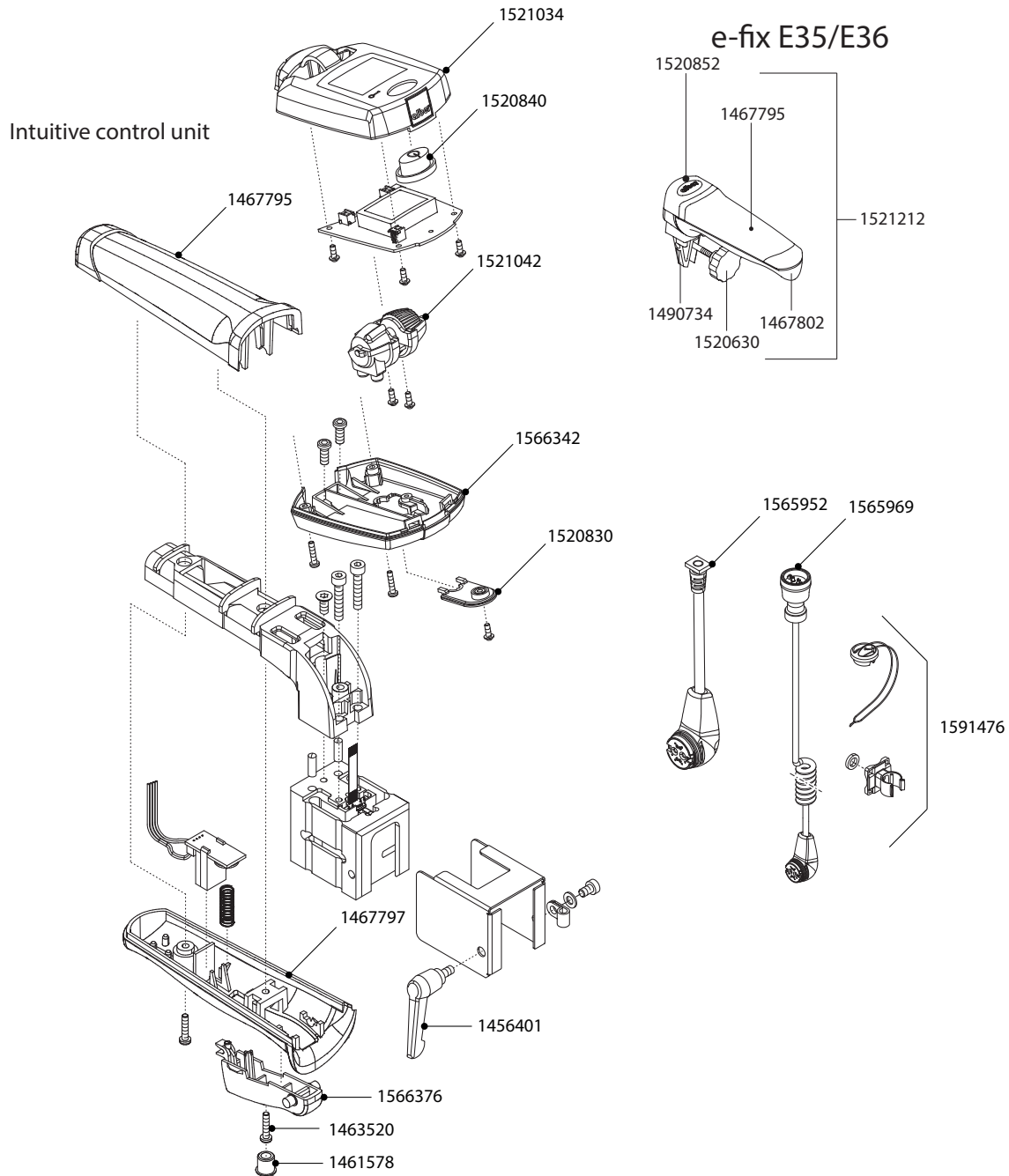
| Order Number | Description | Qty | Net in EUR |
|--------------|--|-----|------------|
| 1456183 | Washer DIN 125 - A 6,4 | pcs | 0,05 |
| 1456233 | Cylinder head screw M 6 x 20 | pcs | 0,25 |
| 1456406 | Quickpin quick release bolt | pcs | 25,95 |
| 1459636 | Hexagon nut ISO 4032 - M8 vz | pcs | 0,10 |
| 1459944 | Washer DIN 988 - 10 x 16 x 1 | pcs | 0,05 |
| 1463698 | Fitting disk DIN 988 - 10 x 16 x 0,3 - St | pcs | 0,20 |
| 1467811 | Friction bearing Igus form F GFM-1212-035 | pcs | 1,35 |
| 1467943 | Threaded pin M 8 x 45 DIN 913 - 45 H | pcs | 0,60 |
| 1489221 | Fixation set for anti-tippers expanded version 4 x 12mm shoe inc. screws | pcs | 54,60 |
| 1489366 | Slide rod anti-tippers mounted | pcs | 25,00 |
| 1519603 | Securing disk DIN 6799-Gr.8 vz | pcs | 0,05 |
| 1592990 | Support angle right for anti-tippers black (without wheels) | pcs | 22,60 |
| 1592991 | Support angle left for anti-tippers (without wheels) | pcs | 22,60 |
| 1593206 | Anti-tippers with jack-up function black (pair) | pcs | 265,00 |

e-fix E35/E36

Anti-tippers without jack-up function



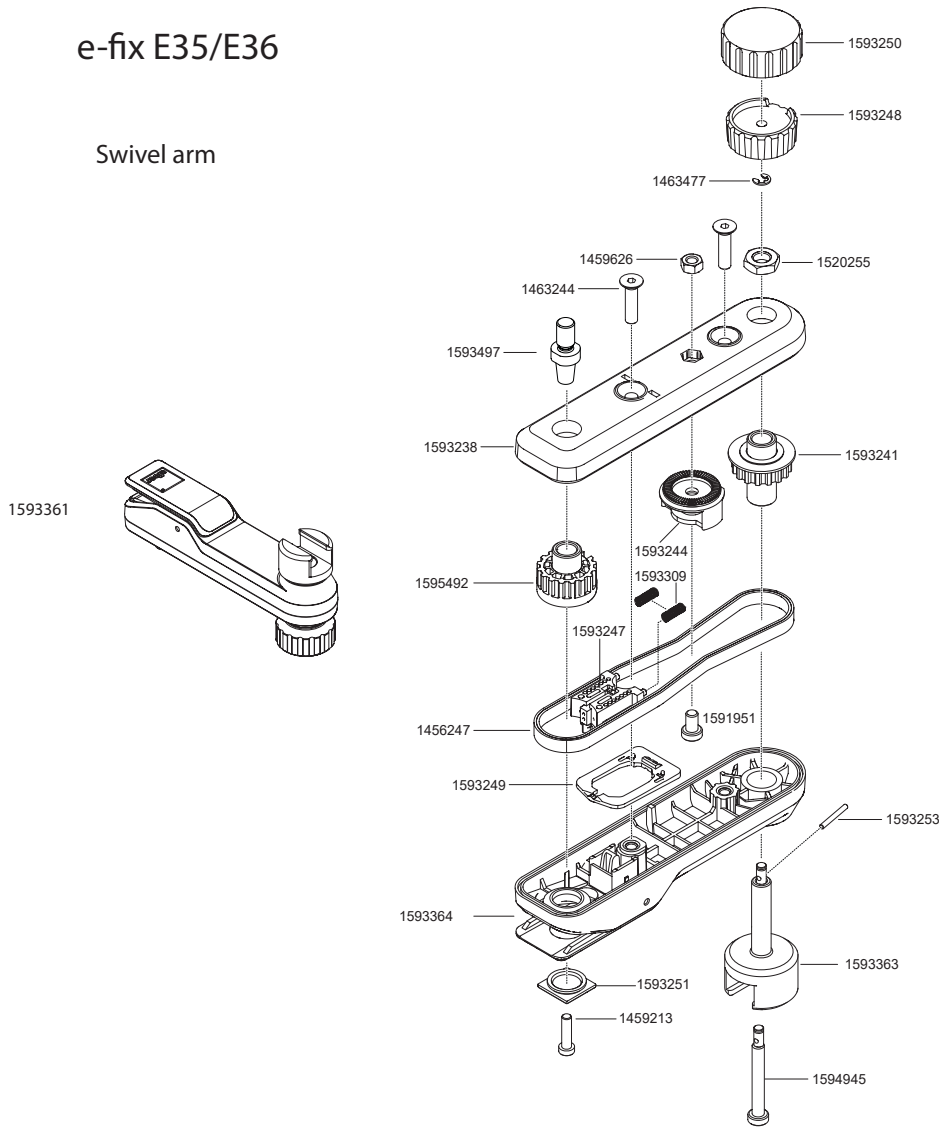
| Order Number | Description | Qty | Net in EUR |
|--------------|---|-----|------------|
| 1456183 | Washer DIN 125 - A 6,4 | pcs | 0,05 |
| 1456233 | Cylinder head screw M 6 x 20 | pcs | 0,25 |
| 1456406 | Quickpin quick release bolt | pcs | 25,95 |
| 1456914 | Fixation set 2 x 12mm for anti-tippers | pcs | 56,00 |
| 1456924 | Toothed bar for anti-tippers e-fix | pcs | 17,50 |
| 1459944 | Washer DIN 988 - 10 x 16 x 1 | pcs | 0,05 |
| 1463698 | Fitting disk DIN 988 - 10 x 16 x 0,3 - St | pcs | 0,20 |
| 1489365 | Wheel for anti-tippers complete | pcs | 2,90 |
| 1489366 | Slide rod anti-tippers mounted | pcs | 25,00 |
| 1519603 | Securing disk DIN 6799-Gr.8 vz | pcs | 0,05 |
| 1592990 | Support angle right for anti-tippers black (without wheels) | pcs | 22,60 |
| 1592991 | Support angle left for anti-tippers (without wheels) | pcs | 22,60 |
| 1593205 | Anti-tippers without jack-up function black 12mm (pair) | pcs | 265,00 |



| Order Number | Description | Qty | Net in EUR |
|--------------|---|-----|------------|
| 1461578 | Plug | pcs | 0,55 |
| 1463520 | Screw Ejot PT K 30 x 14 WN | pcs | 0,15 |
| 1467795 | Housing handle upper part V25/E25/E26 | pcs | 8,85 |
| 1467797 | Housing handle lower part V25/E25/E26 | pcs | 8,45 |
| 1467802 | Handle lower part V25/E25/E26 | pcs | 4,40 |
| 1490734 | Eye screw DIN 444 BM 6 x 40/4.6 | pcs | 4,85 |
| 1520630 | Star handle nut for control unit | pcs | 4,75 |
| 1520830 | Cover Control Unit V25 bottom side | pcs | 4,85 |
| 1520840 | Switch ON/OFF Control Unit viamobil V25 | pcs | 2,75 |
| 1520852 | Cover for handle V25/E25 | pcs | 4,75 |
| 1521034 | Housing Control Unit V25 upper part | pcs | 26,05 |
| 1521042 | Roller support V25 complete | pcs | 31,45 |
| 1521212 | Push handle for viamobil V25, e-fix E3 complete | pcs | 53,95 |
| 1565952 | Cable for intuitive attendant control | pcs | 91,45 |
| 1565969 | Adapter cable | pcs | 78,00 |
| 1566342 | Housing lower part control unit | pcs | 5,15 |
| 1566376 | Throttle Lever | pcs | 4,30 |
| 1591476 | Bracket set for adapter cable, with cover | pcs | 9,80 |

e-fix E35/E36

Swivel arm



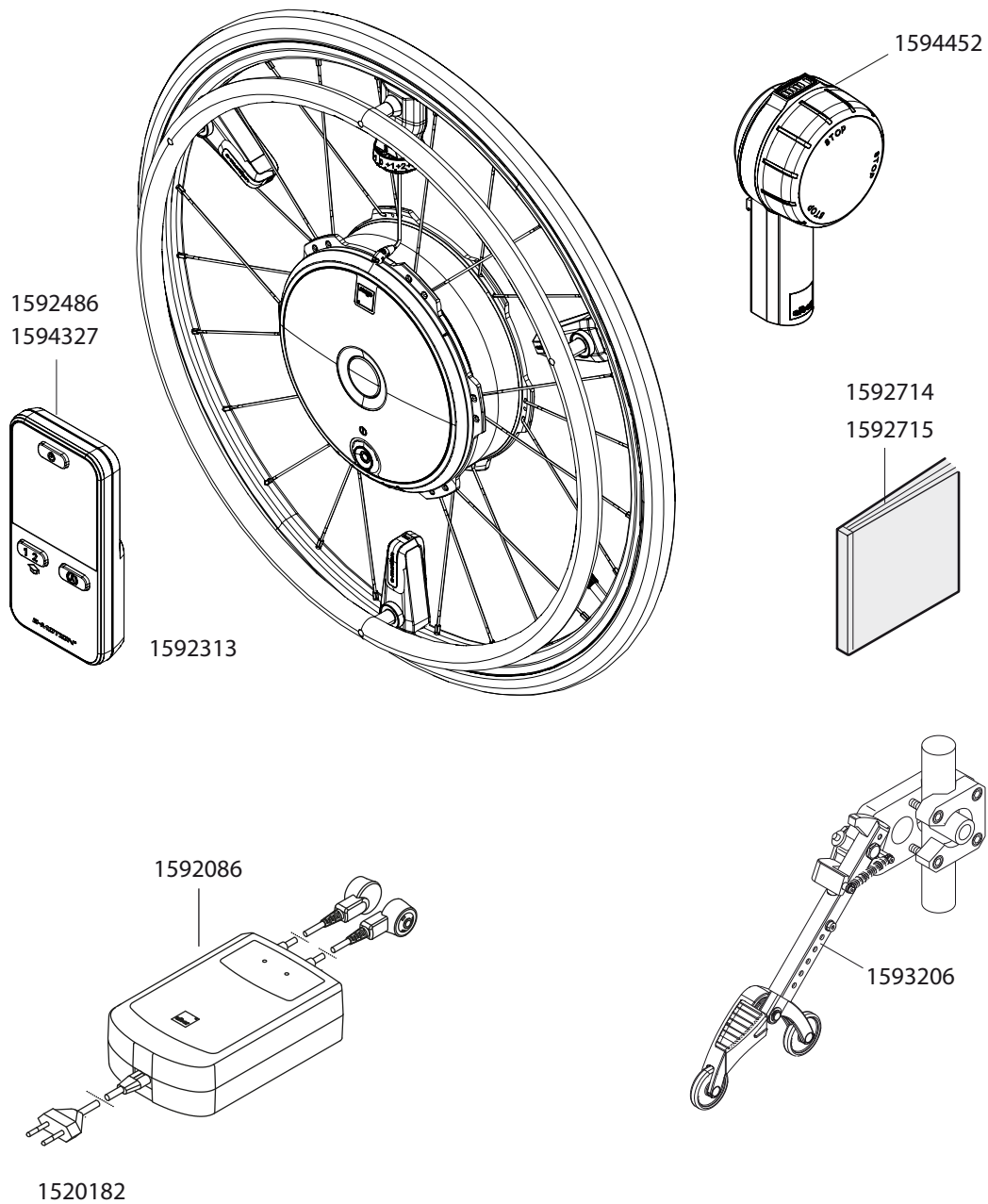
| Order Number | Description | Qty | Net in EUR |
|--------------|---|-----|------------|
| 1456247 | Toothed belt for swivel arm | pcs | 13,05 |
| 1459213 | Cylinder head screw DIN 912 - M 5 x 20 - 8.8 | pcs | 0,15 |
| 1459626 | Hexagon nut ISO 4032 - M5 - 6 AU | pcs | 0,15 |
| 1460351 | DIN 7984 - M 8 x 30 - 8.8 vz | pcs | 0,50 |
| 1463244 | DIN 7991 - M 5 x 20 - 8.8 vz | pcs | 0,10 |
| 1463477 | Securing disk DIN 6799 - GR. 3,2 galvanized | pcs | 0,05 |
| 1520255 | Hexagon nut ISO 4035-M8-04-A2K | pcs | 0,15 |
| 1591951 | Screw SHR-DIN7984-08.8-IS3-A2R-M5x8-TUF-FLECK | pcs | 0,55 |
| 1593238 | Housing lower part | pcs | 37,05 |
| 1593241 | Pulley with sleeve | pcs | 37,15 |
| 1593242 | Pulley for latch with sleeve | pcs | 37,95 |
| 1593244 | Latch | pcs | 7,20 |
| 1593247 | Clamping for belt pulley | pcs | 6,60 |
| 1593248 | Clamping handwheel | pcs | 9,05 |
| 1593249 | Plastic spring | pcs | 4,85 |
| 1593250 | Handle cover | pcs | 13,85 |
| 1593251 | Plug Alber Logo | pcs | 11,20 |
| 1593252 | Cylindrical pin ISO 2338 3m6x10 | pcs | 0,30 |
| 1593253 | Grooved dowel pin Würth ISO 8745 2x16 | pcs | 0,40 |
| 1593309 | Compression spring RDF-1341 | pcs | 0,70 |
| 1593361 | Swivel arm for control unite e-fix E35/E36 | pcs | 262,00 |
| 1593363 | Socket for control unite, premounted washer | pcs | 48,80 |
| 1593364 | Housing upper part, premounted control knob | pcs | 48,30 |
| 1593497 | Tapered adapter | pcs | 3,75 |
| 1594945 | Pin | pcs | 22,25 |
| 1595492 | Pulley mounted for latch | pcs | 30,25 |

e-motion

| | |
|---------------------------------------|-----|
| e-motion M25 | 179 |
| Components | 180 |
| Tires | 181 |
| Wheel | 182 |
| Pushrim | 183 |
| Anti-tippers with jack-up function | 184 |
| Anti-tippers without jack-up function | 185 |
| Spoke cover | 186 |
| Bracket | 187 |
| e-motion DuoDrive | 188 |
| Bracket set DuoDrive | 189 |
| Bracket set DuoDrive Uni-Loc | 190 |

e-motion M25

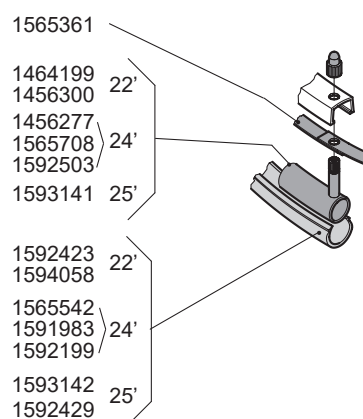
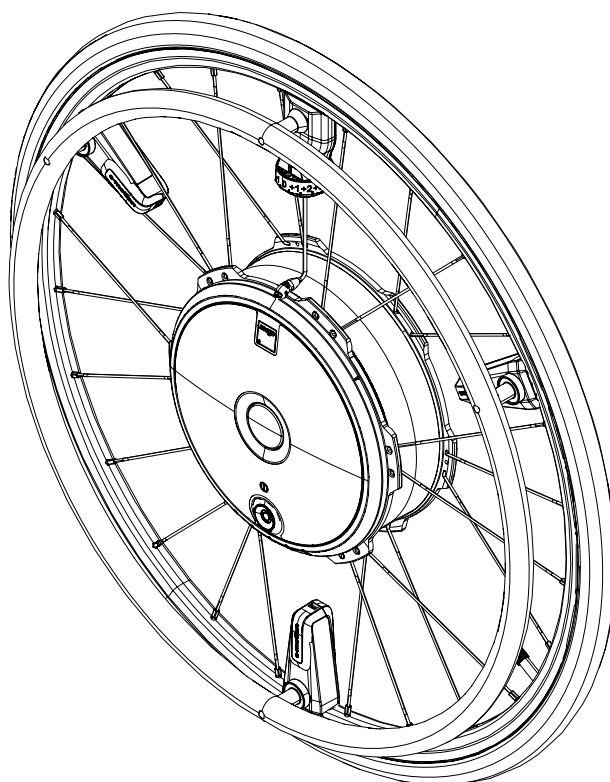
Components



| Order number | Description | Qty | Net in Eur |
|--------------|--|-----|------------|
| 1520182 | Mains cable EU for charger M25 | pcs | 25,65 |
| 1592086 | Charger PS4810 for e-motion M25 | pcs | 233,60 |
| 1592313 | Battery (Type AAA, 1,5V) | pcs | 1,70 |
| 1592486 | ECS-Remote e-motion M25 with Cyber Security (QR-Code) | pcs | 500,00 |
| 1592714 | Documentation Kit M25 German | pcs | 17,85 |
| 1592715 | Documentation Kit M25 multilingual | pcs | 29,70 |
| 1593206 | Anti-tippers with jack-up function black (pair) | pcs | 265,00 |
| 1594327 | ECS-Remote Control e-motion M25 without Cyber Security (QR-Code) | pcs | 500,00 |
| 1594452 | Control unit e-motion DuoDrive | pcs | 978,05 |

e-motion M25

Tires

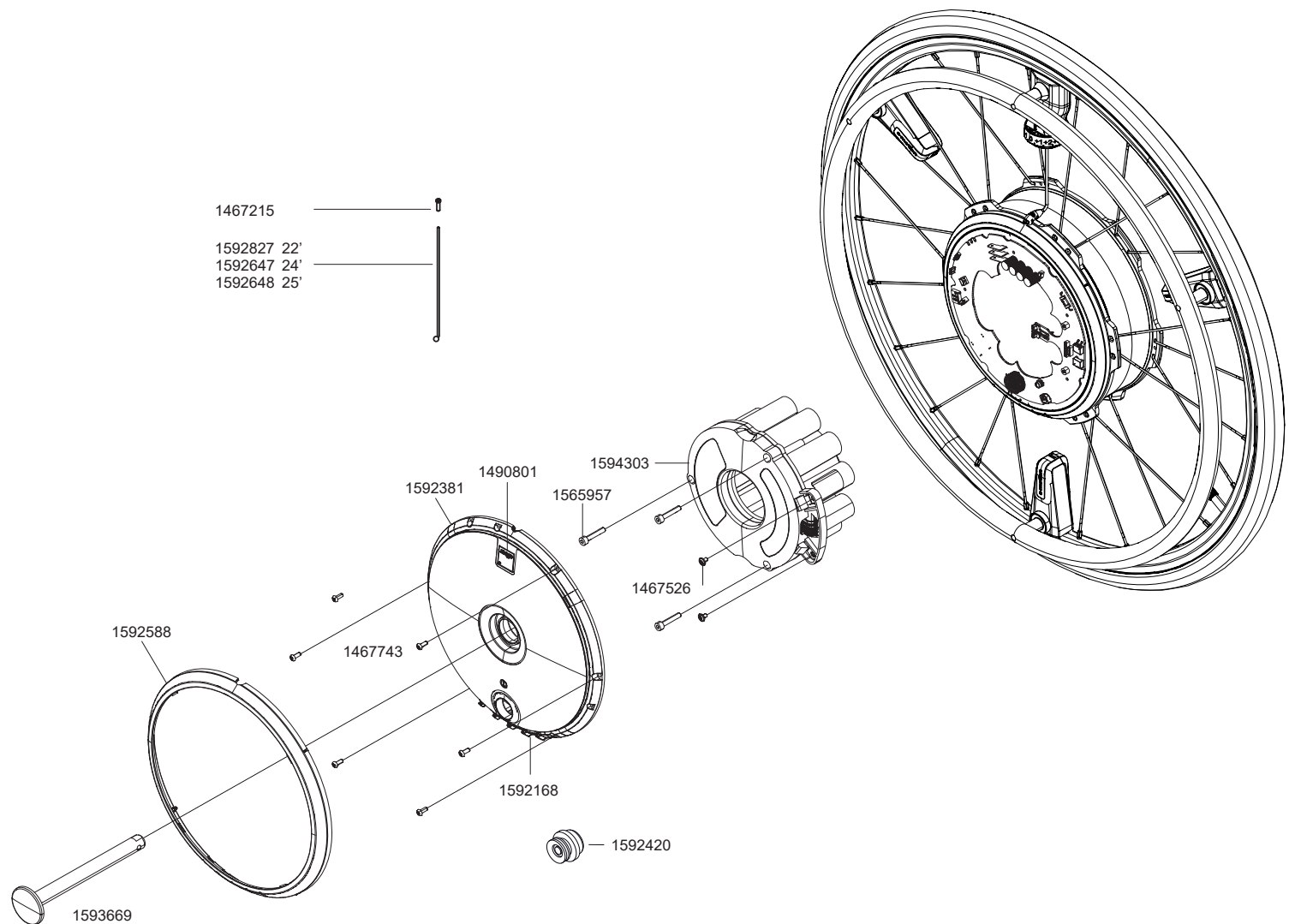


Complete drive wheel:
 Depending on the configuration
 Please contact our customer service

| Order number | Description | Qty | Net in Eur |
|--------------|--|-----|------------|
| 1456277 | Tube 24 x 1" Schrader valve | pcs | 12,20 |
| 1456300 | Tube 22 x 1" Schrader valve | pcs | 10,75 |
| 1464199 | Tube (airless) 22" x 1.3/8" | pcs | 86,70 |
| 1565361 | Rim tape 22-559 | pcs | 7,20 |
| 1565542 | Tyre Marathon Plus 25-540 (24 x 1") black | pcs | 47,45 |
| 1565708 | Tube (airless) 24" x 1.3/8" | pcs | 88,55 |
| 1591983 | Tyre puncture proof 24" x 1 3/8" | pcs | 23,55 |
| 1592199 | Tyre Rightrun 25-540 (24 x 1") black | pcs | 39,40 |
| 1592421 | Push rim cover retrofit 24" e-motion M25 | pcs | 62,50 |
| 1592423 | Tyre Rightrun 25-489 (22 x 1") black | pcs | 39,40 |
| 1592425 | Push rim cover retrofit 22" e-motion M25 | pcs | 62,50 |
| 1592426 | Push rim cover retrofit 25" e-motion M25 | pcs | 62,50 |
| 1592429 | Tyre Marathon Plus 25-559 (25 x 1") black | pcs | 47,45 |
| 1592503 | Massive PU foam tyre ProSped 24 x 1" black | pcs | 74,15 |
| 1593141 | Tube 25 x 1" / 25 x 1,1" Schrader valve | pcs | 13,25 |
| 1593142 | Tyre Rightrun 25-559 (25 x 1,1") black | pcs | 39,40 |
| 1594058 | Tyre e-motion 22" x 1 3/8" | pcs | 21,80 |

e-motion M25

Wheel

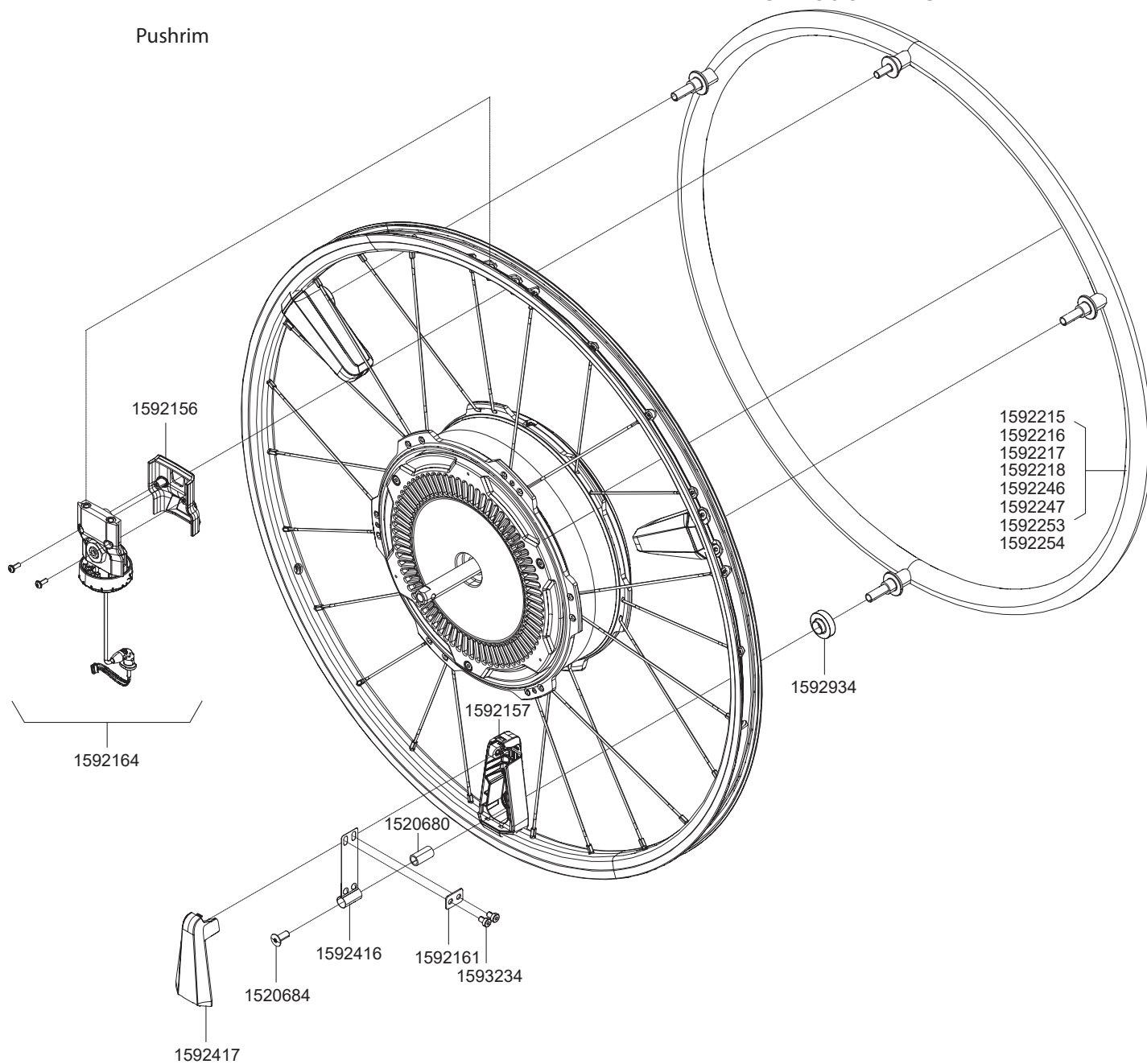


| OOrder number | Description | Qty | Net in Eur |
|---------------|--|-----|------------|
| 1467215 | Nipple: brass Polyax 14mm for 2mm spoke, silver | pcs | 0,85 |
| 1467526 | Talow drop screw Torx M 3 x 5 - 8.8 | pcs | 0,40 |
| 1467743 | Panhead screw ISO 7380 - M 3 x 8 - 8.8 - ISR vz | pcs | 0,30 |
| 1490801 | Alber Logo 17 x 17mm | pcs | 5,25 |
| 1565957 | Cylinder-head screw (DIN 912) ISO 4762 M4x22-8.8 A2K | pcs | 0,20 |
| 1592381 | Cover wheelhub preassembled | pcs | 34,30 |
| 1592420 | Charging connector | pcs | 65,10 |
| 1592588 | Outer cover (ring) wheelhub preassembled | pcs | 32,55 |
| 1592647 | Spoke set M25 wheelszie 24" (5 spokes + nipples) | pcs | 20,50 |
| 1592648 | Spoke set M25 wheelszie 25" (5 spokes + nipples) | pcs | 20,50 |
| 1592827 | Spoke set M25 wheelszie 22" (5 spokes + nipples) | pcs | 20,50 |
| 1593669 | Stub axle e-motion M25 with safety indicator | pcs | 68,40 |
| 1594303 | Corepack M25 4.2 Ah (black-gray)* | pcs | 370,85 |

*This battery pack only works with the latest firmware. The firmware can be checked and updated via Intellion and the smartphone app.

e-motion M25

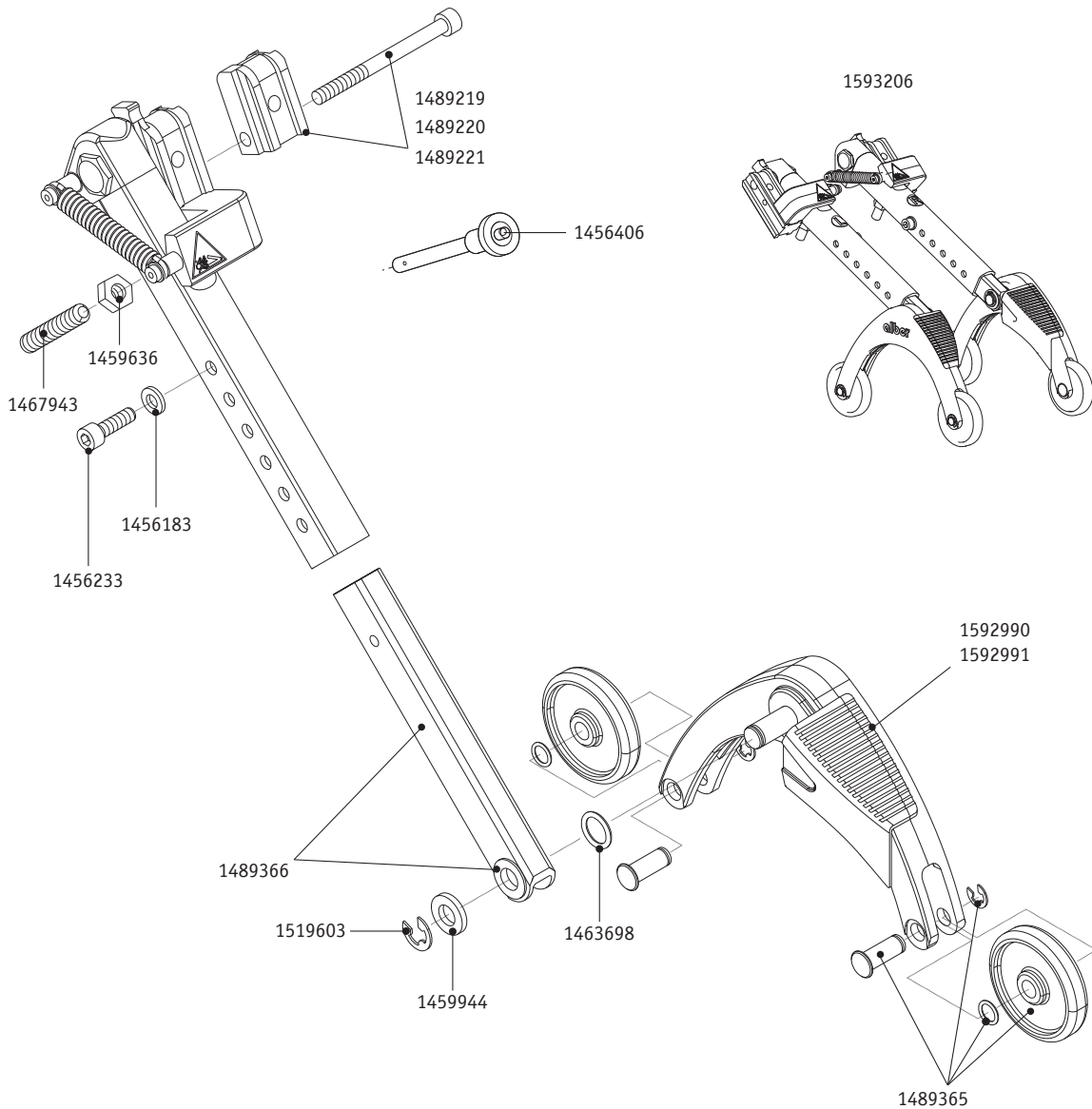
Pushrim



| Order number | Description | Qty | Net in Eur |
|--------------|---|-----|------------|
| 1520680 | Bushing | pcs | 2,05 |
| 1520684 | Screw e-motion M15 | pcs | 1,95 |
| 1592156 | Cover for Sensor | pcs | 42,65 |
| 1592157 | Housing for tension spring M25 | pcs | 12,00 |
| 1592161 | Support for Spring | pcs | 1,35 |
| 1592164 | Sensor mounted | pcs | 205,55 |
| 1592215 | Pushrim 24" stainless steel | pcs | 112,05 |
| 1592216 | Pushrim 24" stainless steel rubber coated | pcs | 145,25 |
| 1592217 | Pushrim 24" Carbolife Curve L | pcs | 225,35 |
| 1592218 | Pushrim 24" Carbolife Quadro | pcs | 272,85 |
| 1592246 | Pushrim 22" stainless steel | pcs | 112,05 |
| 1592247 | Pushrim 22" stainless steel rubber coated | pcs | 145,25 |
| 1592253 | Pushrim 25" stainless steel | pcs | 112,05 |
| 1592254 | Pushrim 25" Carbolive Curve L | pcs | 225,35 |
| 1592416 | Spring sheet | pcs | 8,10 |
| 1592417 | Cover suspension pushrim | pcs | 2,95 |
| 1592934 | Sliding washer for holder of pushrim | pcs | 0,55 |
| 1593234 | Screw DIN7984 M4x5 | pcs | 0,40 |

e-motion M25

Anti-tippers with jack-up function

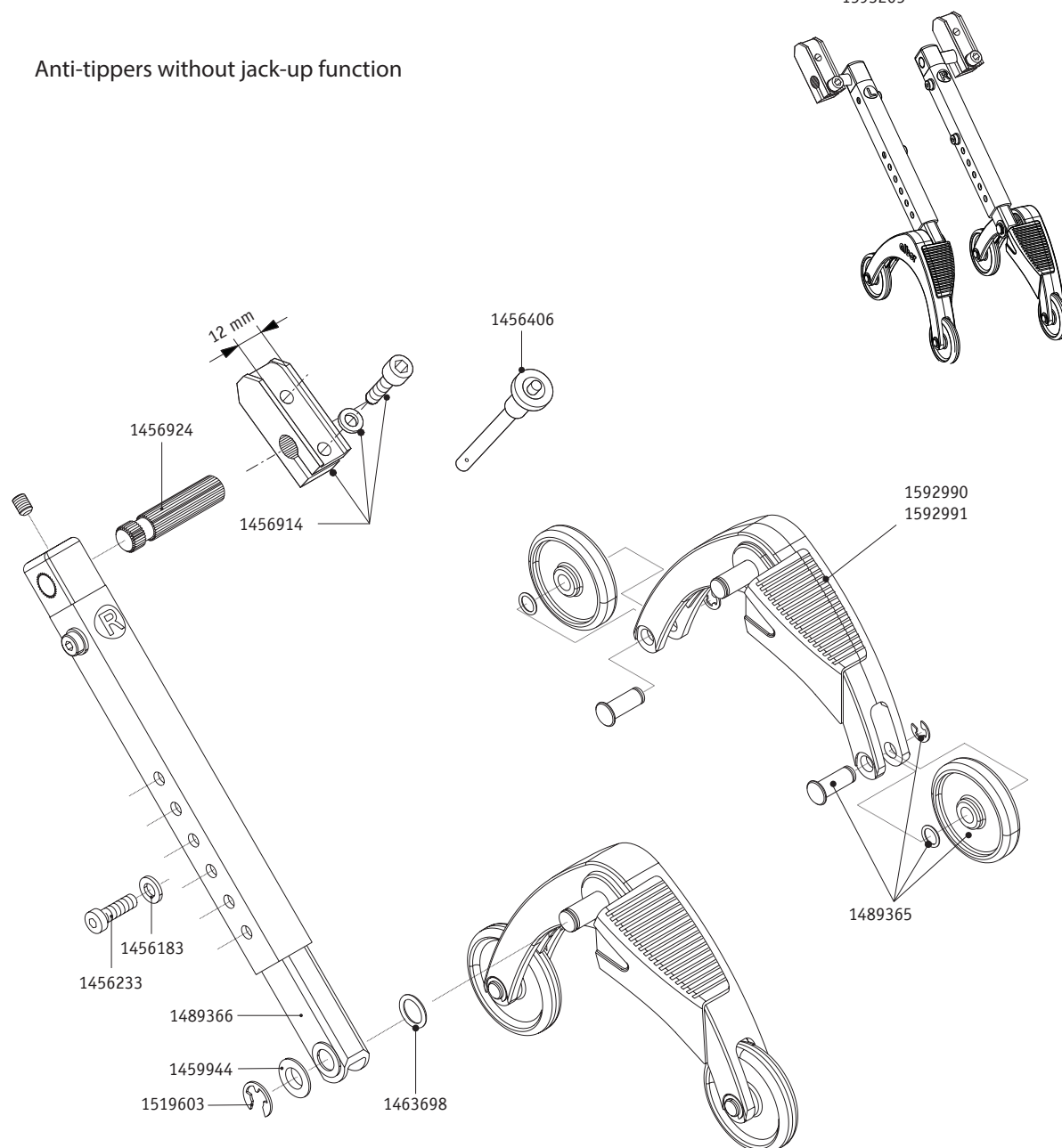


| Order number | Description | Qty | Net in Eur |
|--------------|--|-----|------------|
| 1456183 | Washer DIN 125 - A 6,4 | pcs | 0,05 |
| 1456233 | Cylinder head screw M 6 x 20 | pcs | 0,25 |
| 1456406 | Quickpin quick release bolt | pcs | 25,95 |
| 1459636 | Hexagon nut ISO 4032 - M8 vz | pcs | 0,10 |
| 1459944 | Washer DIN 988 - 10 x 16 x 1 | pcs | 0,05 |
| 1463698 | Fitting disk DIN 988 - 10 x 16 x 0,3 - St | pcs | 0,20 |
| 1467811 | Friction bearing Igus form F GFM-1212-035 | pcs | 1,35 |
| 1467943 | Threaded pin M 8 x 45 DIN 913 - 45 H | pcs | 0,60 |
| 1489221 | Fixation set for anti-tippers expanded version 4 x 12mm shoe inc. screws | pcs | 54,60 |
| 1489366 | Slide rod anti-tippers mounted | pcs | 25,00 |
| 1519603 | Securing disk DIN 6799-Gr.8 vz | pcs | 0,05 |
| 1592990 | Support angle right for anti-tippers black (without wheels) | pcs | 22,60 |
| 1592991 | Support angle left for anti-tippers (without wheels) | pcs | 22,60 |
| 1593206 | Anti-tippers with jack-up function black (pair) | pcs | 265,00 |

e-motion M25

1593205

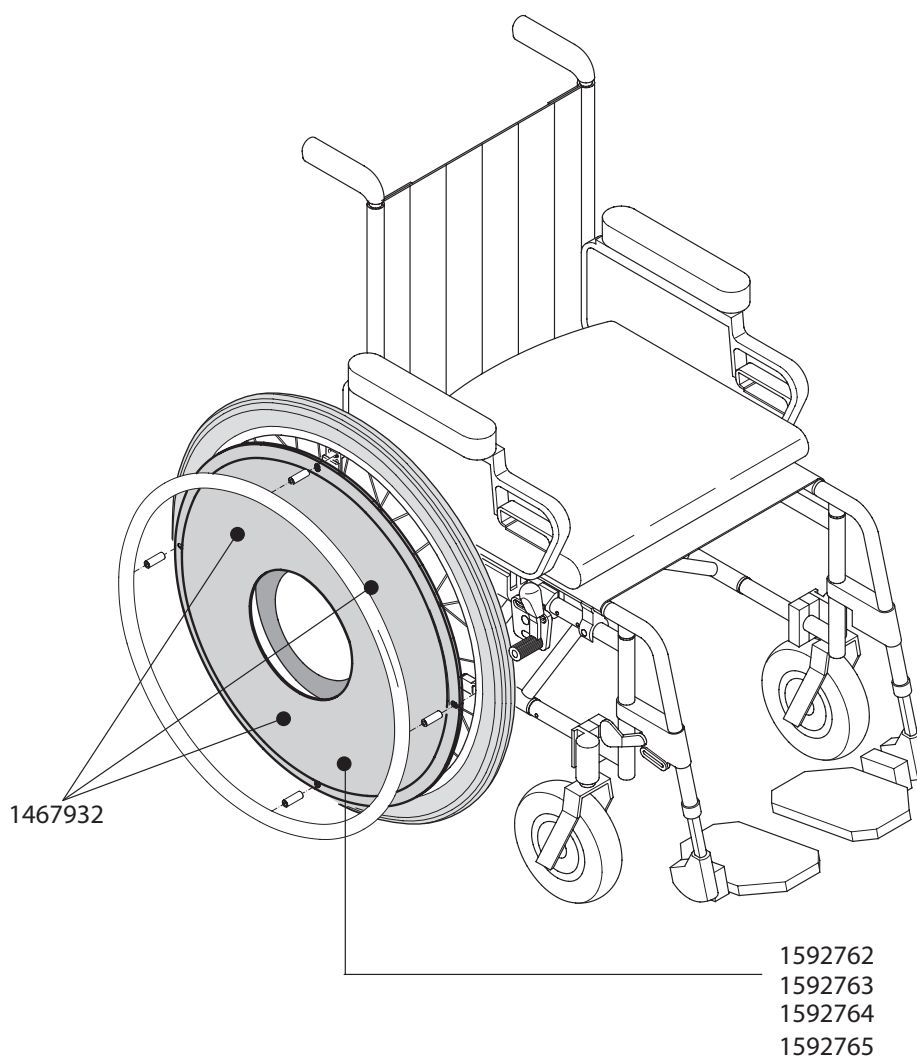
Anti-tippers without jack-up function



| Order number | Description | Qty | Net in Eur |
|--------------|---|-----|------------|
| 1456183 | Washer DIN 125 - A 6,4 | pcs | 0,05 |
| 1456233 | Cylinder head screw M 6 x 20 | pcs | 0,25 |
| 1456406 | Quickpin quick release bolt | pcs | 25,95 |
| 1456914 | Fixation set 2 x 12mm for anti-tippers | pcs | 56,00 |
| 1456924 | Toothed bar for anti-tippers e-fix | pcs | 17,50 |
| 1459944 | Washer DIN 988 - 10 x 16 x 1 | pcs | 0,05 |
| 1463698 | Fitting disk DIN 988 - 10 x 16 x 0,3 - St | pcs | 0,20 |
| 1489365 | Wheel for anti-tippers complete | pcs | 2,90 |
| 1489366 | Slide rod anti-tippers mounted | pcs | 25,00 |
| 1519603 | Securing disk DIN 6799-Gr.8 vz | pcs | 0,05 |
| 1592990 | Support angle right for anti-tippers black (without wheels) | pcs | 22,60 |
| 1592991 | Support angle left for anti-tippers (without wheels) | pcs | 22,60 |
| 1593205 | Anti-tippers without jack-up function black 12mm (pair) | pcs | 265,00 |

e-motion M25

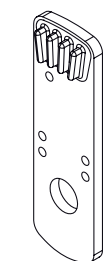
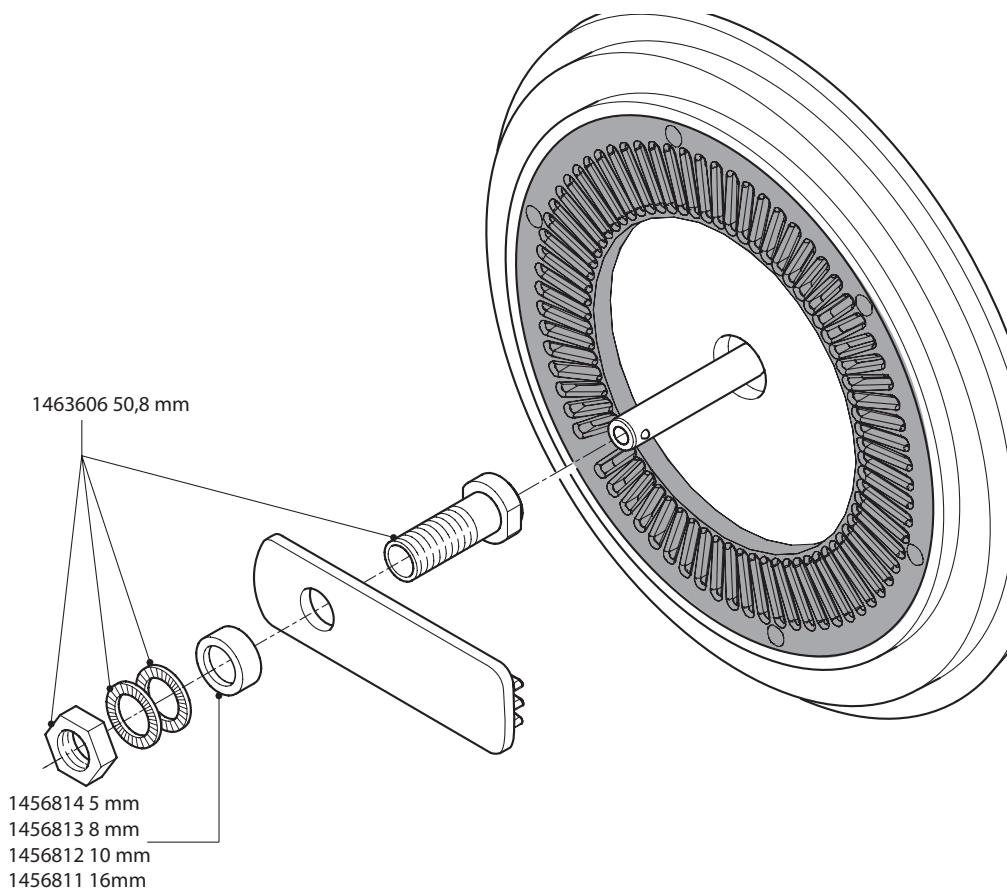
Spoke cover



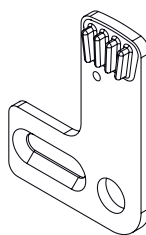
| Order number | Description | Qty | Net in Eur |
|--------------|--|-----|------------|
| 1467932 | Attachment nipple for spoke cover | pcs | 0,40 |
| 1592266 | Spoke cover with decor 22" for e-motion M25 | pcs | 145,00 |
| 1592268 | Spoke cover with decor 24" for e-motion M25 | pcs | 145,00 |
| 1592269 | Spoke cover with decor 25" for e-motion M25 | pcs | 145,00 |
| 1592553 | Spoke cover without decor 24" for e-motion M25 | pcs | 145,00 |
| 1592762 | Spoke cover with decor 22" | pcs | 76,60 |
| 1592763 | Spoke cover with decor 24" e-motion M25 | pcs | 76,60 |
| 1592764 | Spoke cover with decor 25" for e-motion M25 | pcs | 76,60 |
| 1592765 | Spoke cover with decor 24" e-motion M25 | pcs | 76,60 |

e-motion M25

Bracket



1565788

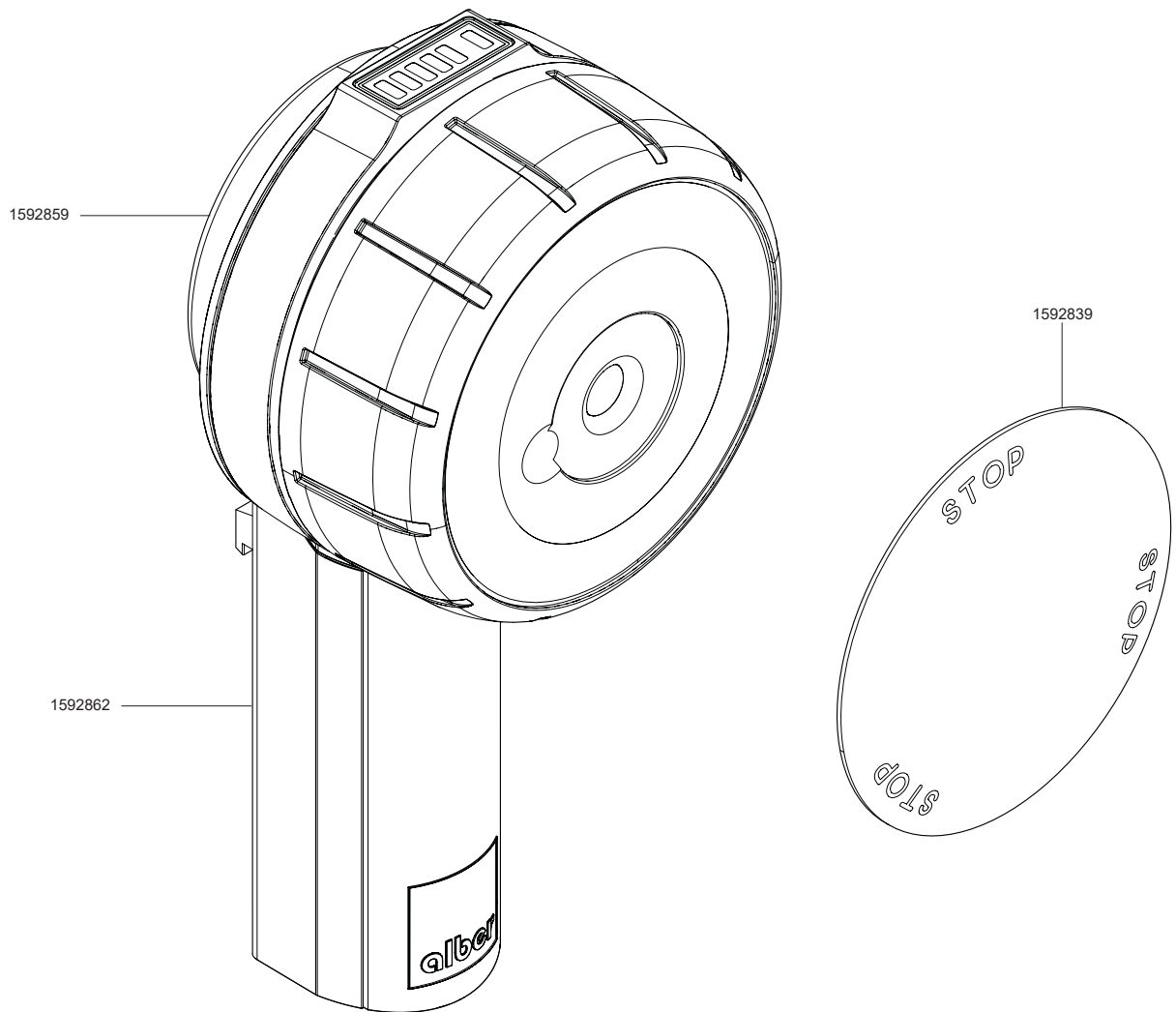


1565787

| Order number | Description | Qty | Net in Eur |
|--------------|--|-----|------------|
| 1456811 | Spacer ring aluminium 25 x 17 x 16 long | pcs | 1,25 |
| 1456812 | Spacer ring aluminium 25 x 17 x 10 long | pcs | 1,25 |
| 1456813 | Spacer ring aluminium 25 x 17 x 8 long | pcs | 1,25 |
| 1456814 | Spacer ring aluminium 25 x 17 x 5 long | pcs | 1,25 |
| 1463606 | Adapter sleeve 1/2" Length 50.8mm inclusive Nord-Lock washer and nut | pcs | 16,90 |
| 1463608 | Adapter sleeve 1/2" Length 48.0mm inclusive Nord-Lock washer and nut | pcs | 16,90 |
| 1565787 | Torque receiver twion/emotion M25 with angle (pair) | pcs | 38,00 |
| 1565788 | Torque receiver twion/emotion M25 straight (pair) | pcs | 38,00 |

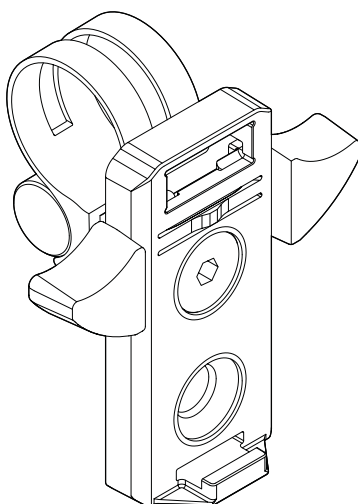
e-motion M25

e-motion DuoDrive



| Order number | Description | Qty | Net in Eur |
|--------------|---|-----|------------|
| 1592839 | Cover control unit O10/DuoDrive | pcs | 30,20 |
| 1592859 | Cover USB charging socket O10/DuoDrive | pcs | 14,05 |
| 1592862 | Battery housing control unit O10/DuoDrive | pcs | 52,30 |

Bracket set DuoDrive

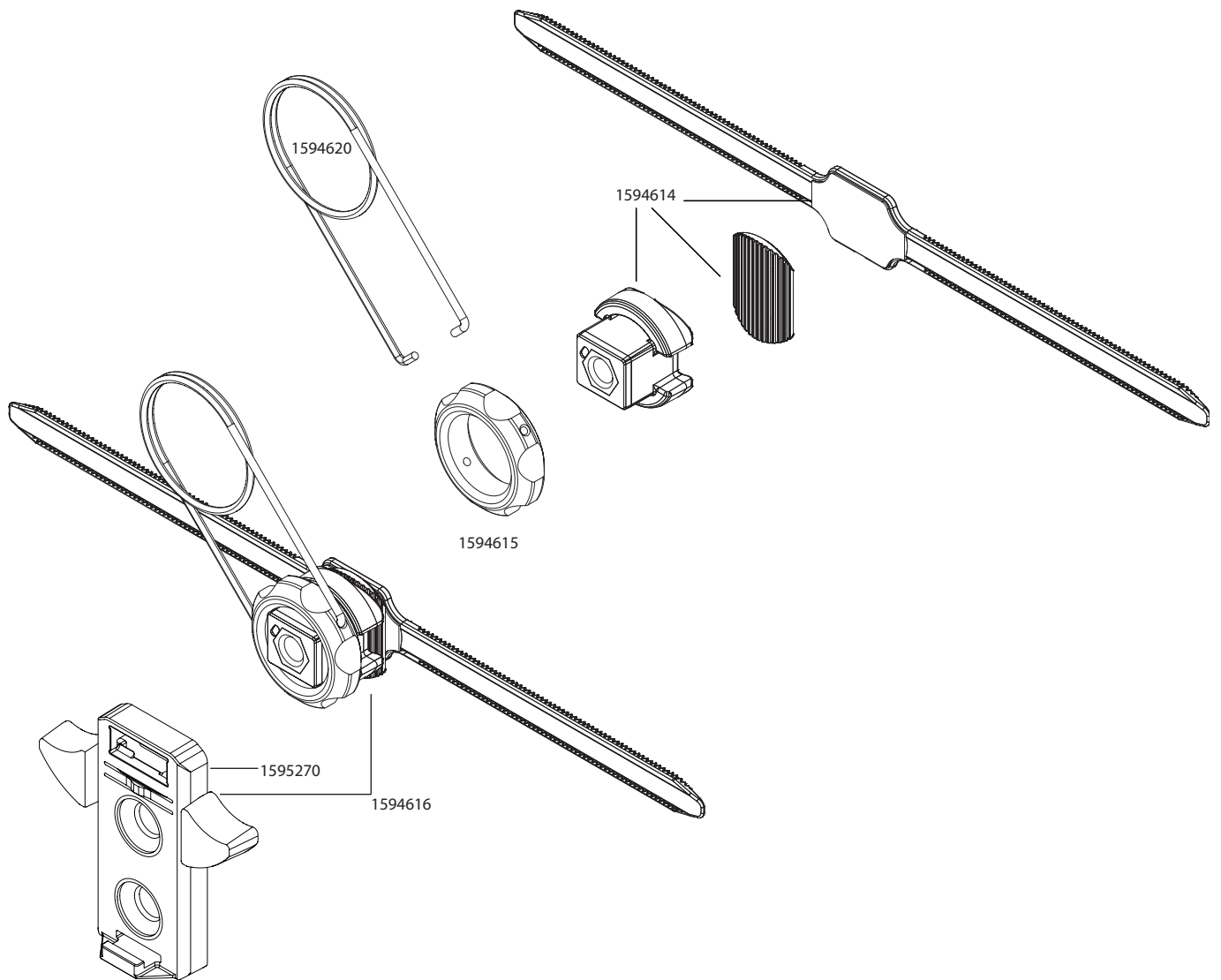


1593029
1593035
1593036
1593037
1593038
1593123
1593262
1593277
1593278
1593335
1593671
1593725
1593730
1593960

| Order number | Description | Qty | Net in Eur |
|--------------|---|-----|------------|
| 1593029 | Bracket set control unit O10 23mm | pcs | 140,00 |
| 1593035 | Bracket set control unit O10 25mm | pcs | 140,00 |
| 1593036 | Bracket set control unit O10/DuoDrive profile 1 (Sopur / Quickie 33mm x 27mm) | pcs | 140,00 |
| 1593037 | Bracket set control unit O10/DuoDrive profile 2 (Progeo 35mm x 25mm) | pcs | 140,00 |
| 1593038 | Bracket set control unit O10/DuoDrive 30mm | pcs | 140,00 |
| 1593123 | Bracket set control unit O10/DuoDrive 22mm | pcs | 140,00 |
| 1593262 | Bracket set control unit O10/DuoDrive 29mm | pcs | 140,00 |
| 1593277 | Bracket set control unit O10/DuoDrive 19mm | pcs | 140,00 |
| 1593278 | Bracket set control unit O10/DuoDrive 32mm | pcs | 140,00 |
| 1593335 | Bracket set control unit O10/DuoDrive 35mm | pcs | 140,00 |
| 1593671 | Bracket set control unit O10/DuoDrive 26mm | pcs | 140,00 |
| 1593725 | Bracket set control unit O10/DuoDrive 24mm | pcs | 140,00 |
| 1593730 | Bracket set control unit O10/DuoDrive 20mm | pcs | 140,00 |
| 1593960 | Bracket set control unit O10/DuoDrive 28mm | pcs | 140,00 |

e-motion M25

Bracket set DuoDrive Uni-Loc



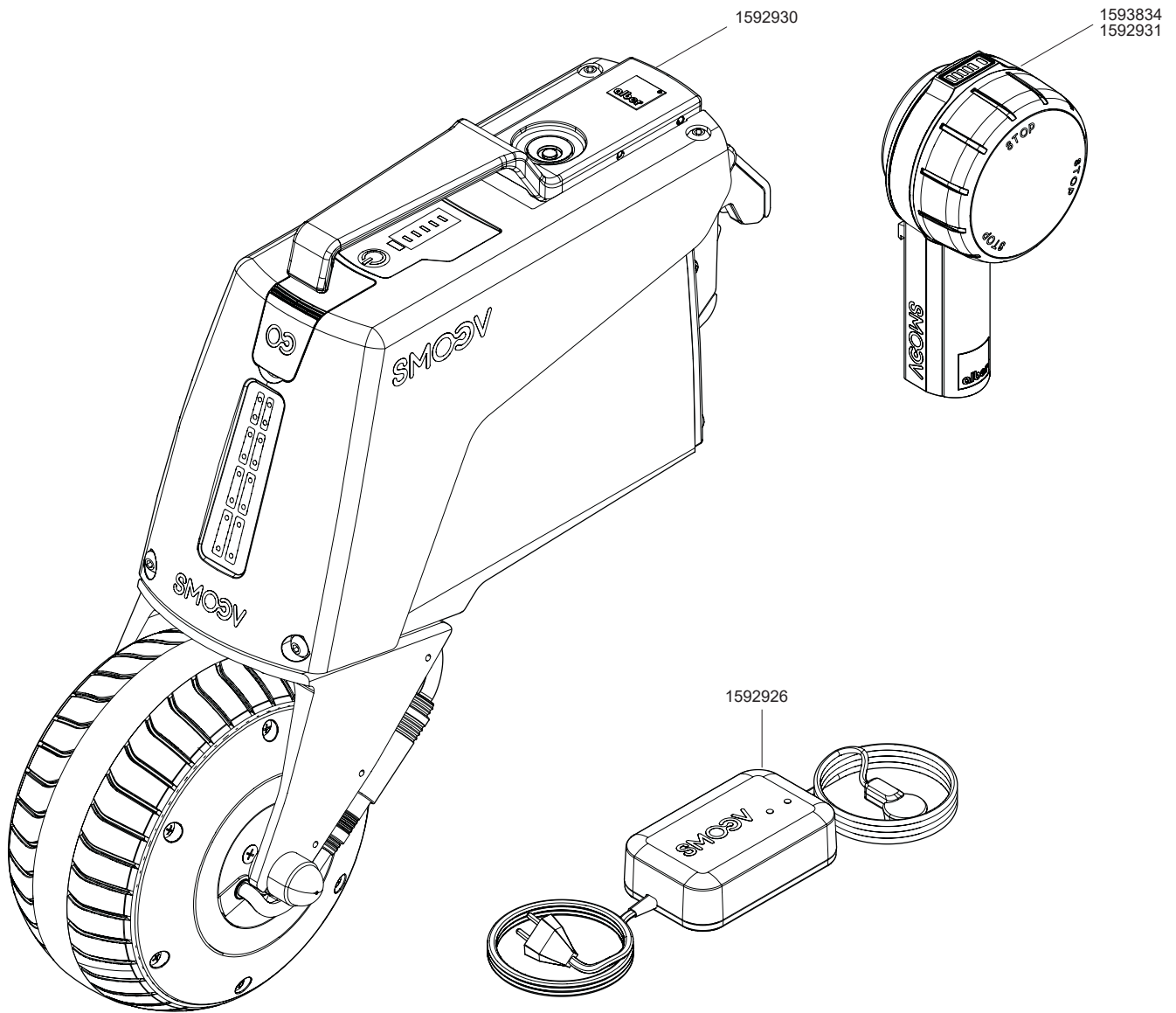
| Order number | Description | Qty | Net in Eur |
|--------------|---|-----|------------|
| 1594614 | Retaining strap and counterholder Uni-Loc | pcs | 27,95 |
| 1594615 | Nut for bracket Uni-Loc | pcs | 19,35 |
| 1594616 | Bracket set control unit O10 / DuoDrive Uni-Loc | pcs | 143,50 |
| 1594620 | Wire stirrup tool for fixing nut Uni-Loc | pcs | 3,40 |
| 1595270 | Bracket Control Unit V2 O10 / DuoDrive | pcs | 85,00 |



| | |
|----------------------------------|-----|
| SMOOV O10 | 191 |
| components | 192 |
| Drive unit | 193 |
| Control unit | 194 |
| Bracket set drive unit | 195 |
| Bracket set control unit | 196 |
| Bracket set control unit Uni-Loc | 197 |
| Adapter axle | 198 |

SMOOV O10

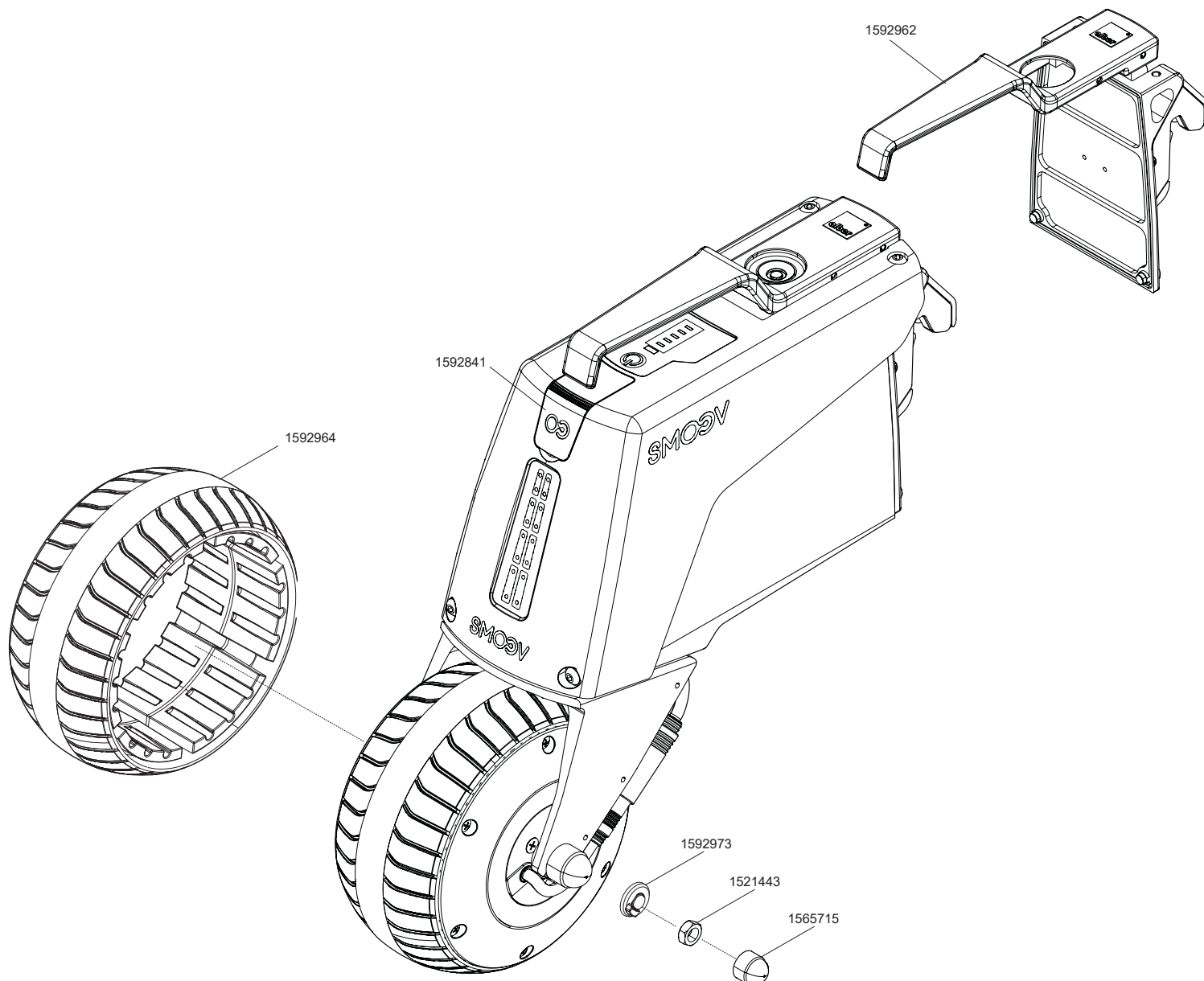
components



| Order number | Description | Qty | Net in Eur |
|--------------|---|-----|------------|
| 1592926 | Charger SMOOV O10 | pcs | 280,55 |
| 1592931 | Control unit SMOOV O10 without Cyber Security (QR-Code) | pcs | 990,15 |
| 1593832 | Motor Unit SMOOV O10 6 km/h with CS (QR-Code) | pcs | 4227,2 |
| 1593833 | Motor Unit SMOOV O10 10 km/h with CS (QR-Code) | pcs | 4405,15 |
| 1593834 | Control unit SMOOV O10 with Cyber Security (QR-Code) | pcs | 956,65 |
| 1593144 | Charging cable USB-C SMOOV O10 | pcs | 29,25 |

SMOOV O10

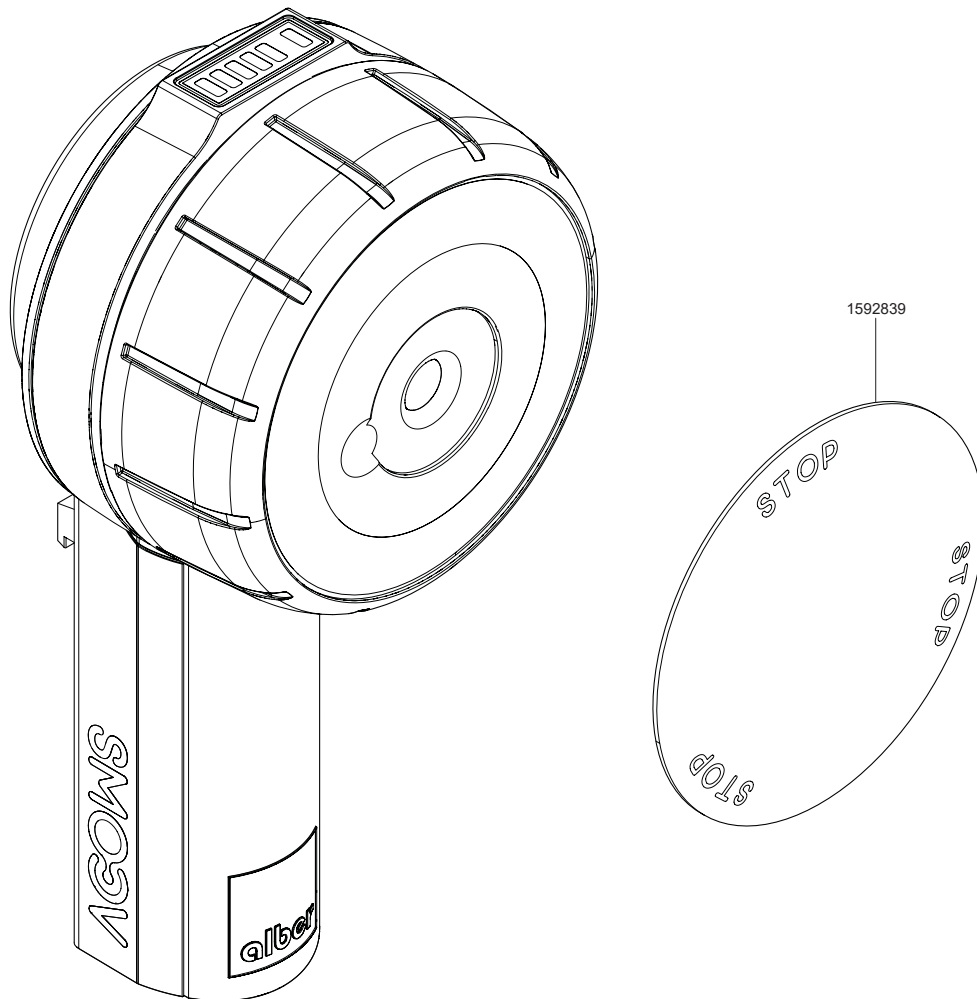
Drive unit



| Order number | Description | Qty | Netto in EUR |
|--------------|--------------------------------------|-----|--------------|
| 1521443 | Nut rear motor Z10/Z20 - screw axle | pcs | 0,50 |
| 1565715 | Cover axle nut Z10 / Z20 / P15 / O10 | pcs | 0,70 |
| 1592841 | Cover charging socket O10 | pcs | 8,90 |
| 1592968 | Motor SMOOV O10 | pcs | 496,00 |
| 1592962 | Handle unit O10 complete | pcs | 499,50 |
| 1592964 | Tyre O10 | pcs | 130,90 |
| 1592973 | Torque receiver O10 | pcs | 19,25 |
| 1592875 | Batterypack O10 | pcs | 645,20 |

SMOOV O10

Control unit

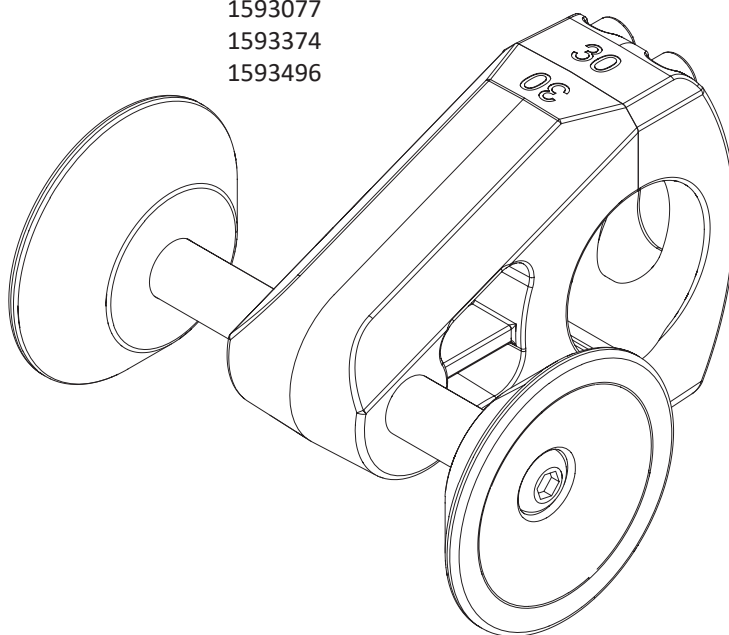


| Order number | Description | Qty | Net in Eur |
|--------------|---------------------------------|-----|------------|
| 1592839 | Cover control unit O10/DuoDrive | pcs | 30,20 |

SMOOV O10

Bracket set drive unit

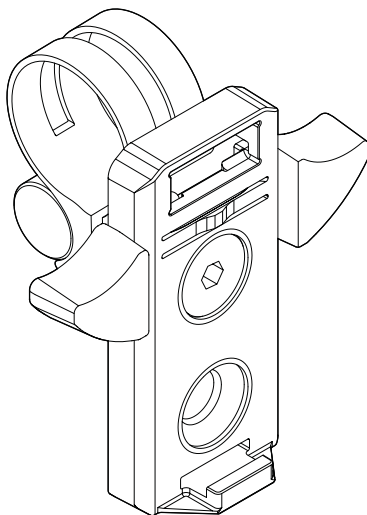
1593073
 1593074
 1593075
 1593076
 1593077
 1593374
 1593496



| Order number | Description | Qty | Net in Eur |
|--------------|----------------------------|-----|------------|
| 1593073 | Bracket set axle O10 30 mm | ücs | 80,00 |
| 1593074 | Bracket set axle O10 35 mm | ücs | 80,00 |
| 1593075 | Bracket set axle O10 40 mm | ücs | 80,00 |
| 1593076 | Bracket set axle O10 32 mm | ücs | 80,00 |
| 1593077 | Bracket set axle O10 1.25" | ücs | 80,00 |
| 1593374 | Bracket set axle O10 19 mm | ücs | 80,00 |
| 1593496 | Bracket set axle O10 1.5" | ücs | 80,00 |

SMOOV O10

Bracket set control unit

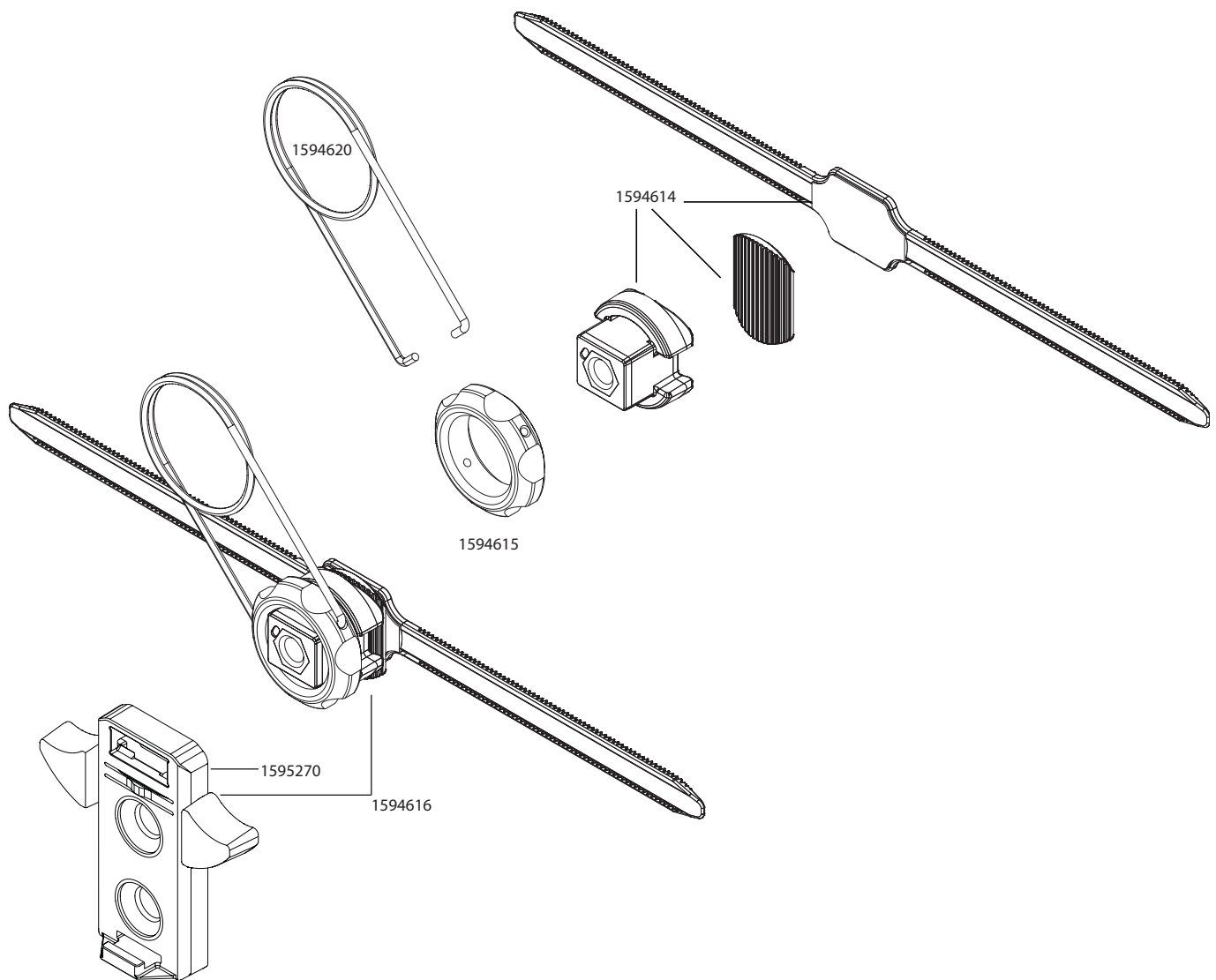


- 1593029
- 1593035
- 1593036
- 1593037
- 1593038
- 1593123
- 1593262
- 1593277
- 1593278
- 1593335
- 1593671
- 1593725
- 1593730
- 1593960
- 1593351
- 1593391
- 1593492

| Order number | Description | Qty | Net in Eur |
|--------------|--|-----|------------|
| 1593029 | Bracket set control unit O10 23mm | pcs | 140,00 |
| 1593035 | Bracket set control unit O10 25mm | pcs | 140,00 |
| 1593036 | Bracket set control unit O10/DuoDrive profile 1 (Sopur / Quickie 33mm x 27mm) | pcs | 140,00 |
| 1593037 | Bracket set control unit O10/DuoDrive profile 2 (Progeo 35mm x 25mm) | pcs | 140,00 |
| 1593038 | Bracket set control unit O10/DuoDrive 30mm | pcs | 140,00 |
| 1593123 | Bracket set control unit O10/DuoDrive 22mm | pcs | 140,00 |
| 1593262 | Bracket set control unit O10/DuoDrive 29mm | pcs | 140,00 |
| 1593277 | Bracket set control unit O10/DuoDrive 19mm | pcs | 140,00 |
| 1593278 | Bracket set control unit O10/DuoDrive 32mm | pcs | 140,00 |
| 1593335 | Bracket set control unit O10/DuoDrive 35mm | pcs | 140,00 |
| 1593391 | Bracket set SMOOV Universal Quick-on | pcs | 200,00 |
| 1593671 | Bracket set control unit O10/DuoDrive 26mm | pcs | 140,00 |
| 1593725 | Bracket set control unit O10/DuoDrive 24mm | pcs | 140,00 |
| 1593730 | Bracket set control unit O10/DuoDrive 20mm | pcs | 140,00 |
| 1593960 | Bracket set control unit O10/DuoDrive 28mm | pcs | 140,00 |
| 1593351 | Bracket set control unit O10/DuoDrive Profile 3 (Küschall Champion / K-Series 2.0 from 2019) | pcs | 140,00 |
| 1593492 | Bracket set control unit O10/DuoDrive profile 4 (Küschall Compact 2.0 / 2019) | pcs | 140,00 |

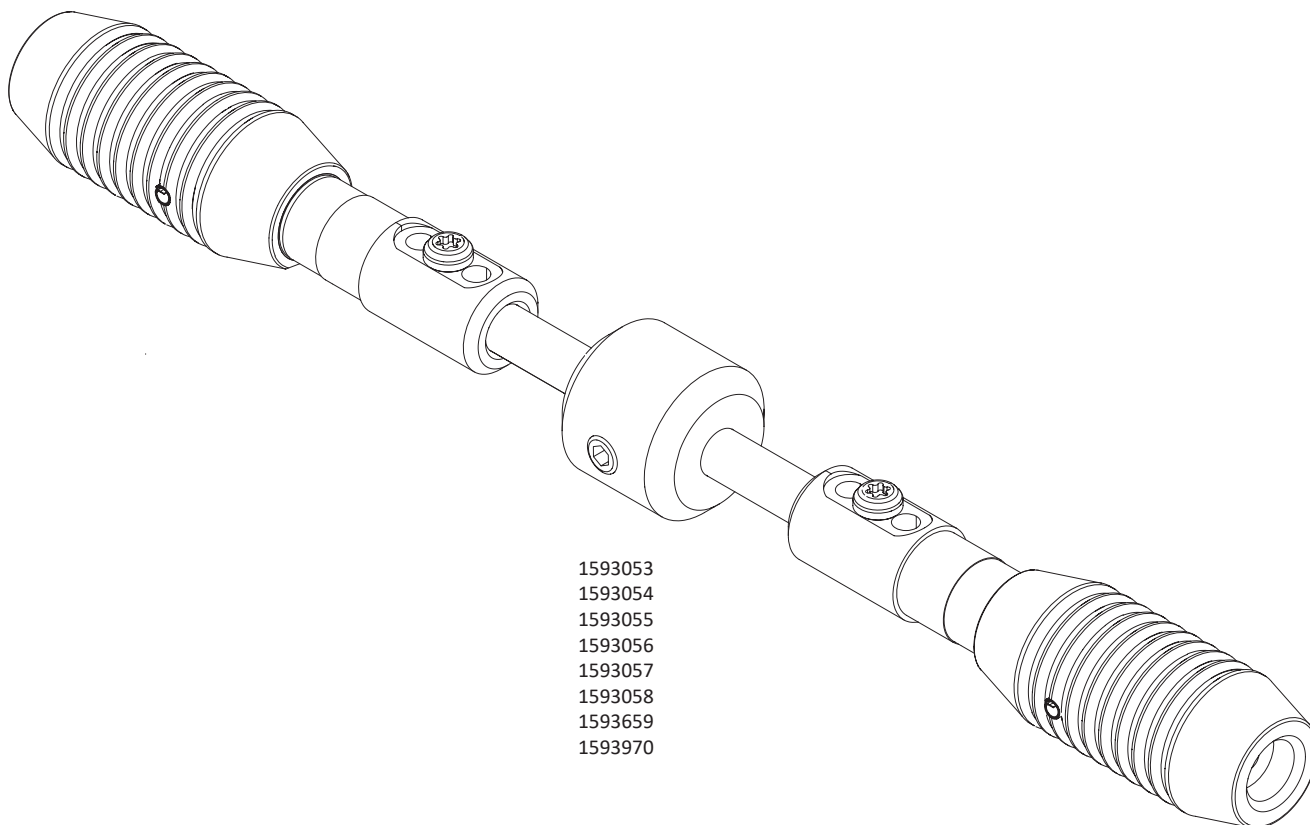
SMOOV O10

Bracket set control unit Uni-Loc



| Order number | Description | Qty | Net in Eur |
|--------------|---|-----|------------|
| 1594614 | Retaining strap and counterholder Uni-Loc | pcs | 27,95 |
| 1594615 | Nut for bracket Uni-Loc | pcs | 19,35 |
| 1594616 | Bracket set control unit O10 / DuoDrive Uni-Loc | pcs | 143,50 |
| 1595270 | Bracket Control Unit V2 O10 / DuoDrive | pcs | 85,00 |
| 1594620 | Wire stirrup tool for fixing nut Uni-Loc | pcs | 3,40 |

SMOOV O10 Adapter axle



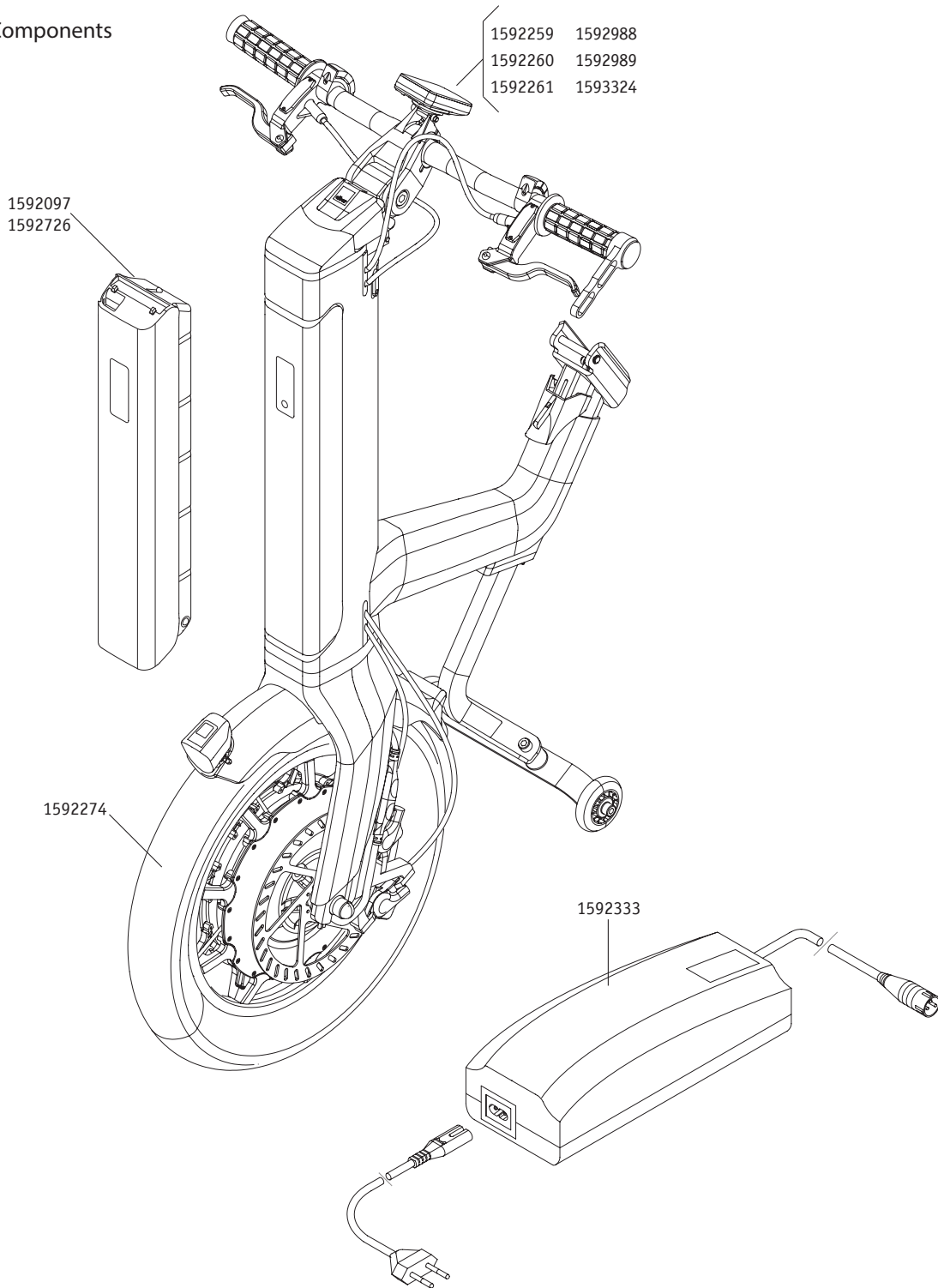
1593053
 1593054
 1593055
 1593056
 1593057
 1593058
 1593659
 1593970

| Order number | Description | Qty | Net in Eur |
|--------------|--|-----|------------|
| 1593053 | Adapter axle O10 L= 32,5 cm (28,5 - 30,5 cm) | pcs | 125,00 |
| 1593054 | Adapter axle O10 L=34,5 cm (30,5 - 32,5 cm) | pcs | 125,00 |
| 1593055 | Adapter axle O10 L= 38,5 cm (34,5 - 36,5 cm) | pcs | 125,00 |
| 1593056 | Adapter axle O10 L= 40,5 cm (36,5 - 38,5 cm) | pcs | 125,00 |
| 1593057 | Adapter axle O10 38,5 - 40,5 cm (37-42cm) | pcs | 125,00 |
| 1593058 | Adapter axle O10 L= 36,5 cm (32,5 - 34,5 cm) | pcs | 125,00 |
| 1593659 | Adapter axle O10 L= 27,5 cm (26,5 - 28,5 cm) | pcs | 125,00 |
| 1593970 | Adapter axle O10 L= 44,5 cm (40,5 - 42,5 cm) | pcs | 125,00 |

| | |
|----------------------------|-----|
| e-pilot P15 | 199 |
| Components | 200 |
| Handlebar, Dock & Throttle | 201 |
| Brakes | 202 |
| Wheel, tyre and tube | 203 |
| Stand | 204 |
| Handle unit | 205 |
| Locking mechanism | 206 |
| Tetra-Brake | 207 |

e-pilot P15

Components

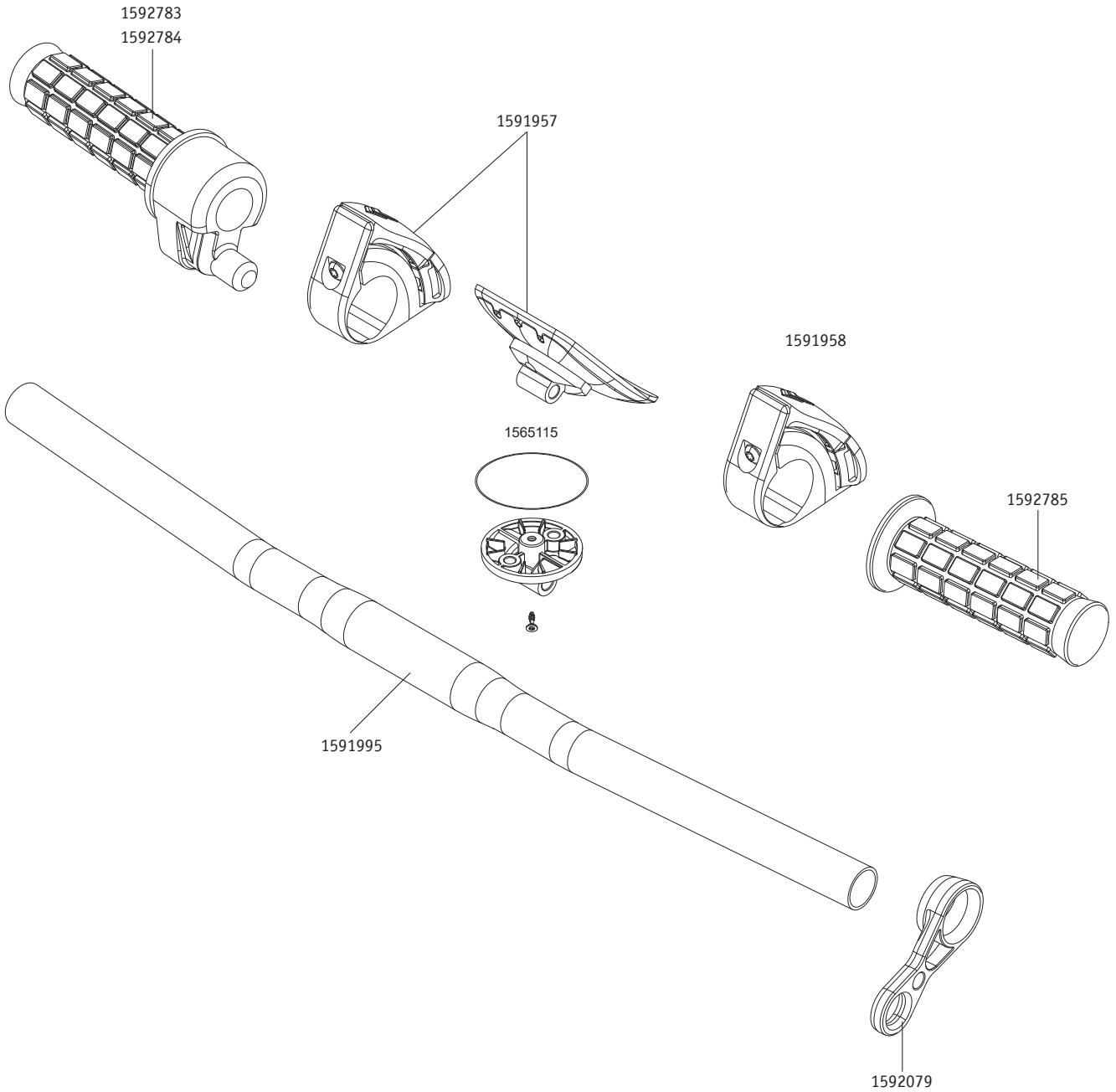


| Order number | Description | Qty | Net in Eur |
|--------------|---------------------------------------|-----|------------|
| 1592097 | Battery-pack P15 36V / 13,4Ah | pcs | 862,00 |
| 1592259 | Display P15 Connect 6 km/h | pcs | 224,20 |
| 1592260 | Display P15 Connect 10 km/h | pcs | 224,20 |
| 1592261 | Display P15 Connect 15 km/h | pcs | 224,20 |
| 1595744 | Power wheel P15 complete | pcs | 224,20 |
| 1592274 | Charger 4A for e-pilot P15 | pcs | 883,65 |
| 1592333 | Battery-pack P15 36V / 7,8Ah (Flight) | pcs | 265,80 |
| 1592726 | Display P15 Connect 10 km/h limited | pcs | 720,10 |
| 1592989 | Display P15 Connect 6 km/h limited | pcs | 224,2 |
| 1593324 | Display P15 Connect 15 km/h limited | pcs | 224,2 |
| 1595744 | Display P15 Connect 20 km/h | pcs | 224,2 |



e-pilot P15

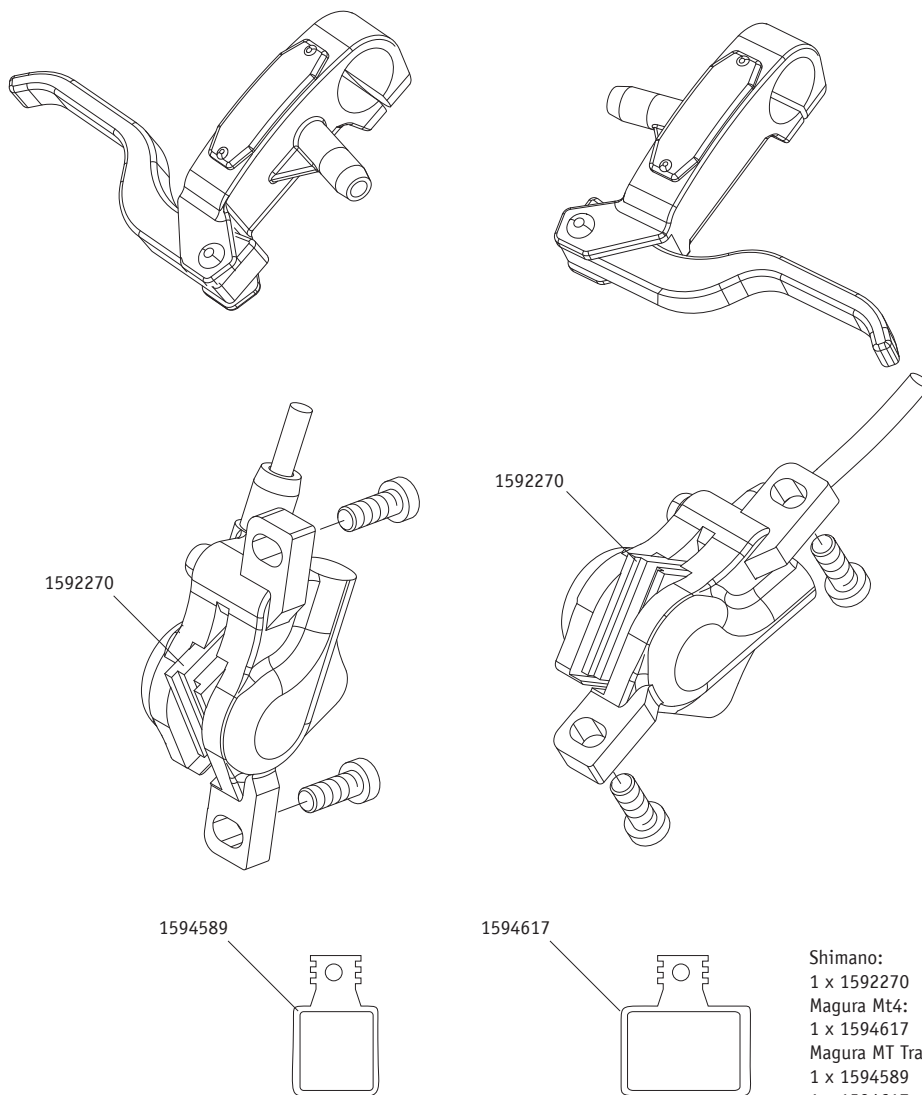
Handlebar, Dock & Throttle



| Order number | Description | Qty | Net in Eur |
|--------------|---|-----|------------|
| 1565115 | Mountig kit for holder sMMi Z10 / Z15 / P15 | pcs | 5,95 |
| 1591957 | Fixation for display P15 including controller | pcs | 231,35 |
| 1591958 | Signal controller light / horn P15 | pcs | 80,35 |
| 1591995 | Handlebar flat black P15 | pcs | 39,70 |
| 1592079 | Lock for brake P15 | pcs | 8,85 |
| 1592783 | Gas grip throttle for handlebar P15 left | pcs | 163,70 |
| 1592784 | Gas grip throttle for handlebar P15 right | pcs | 155,75 |
| 1592785 | Grip for handlebar P15 left/right | pcs | 11,45 |

e-pilot P15

Brakes

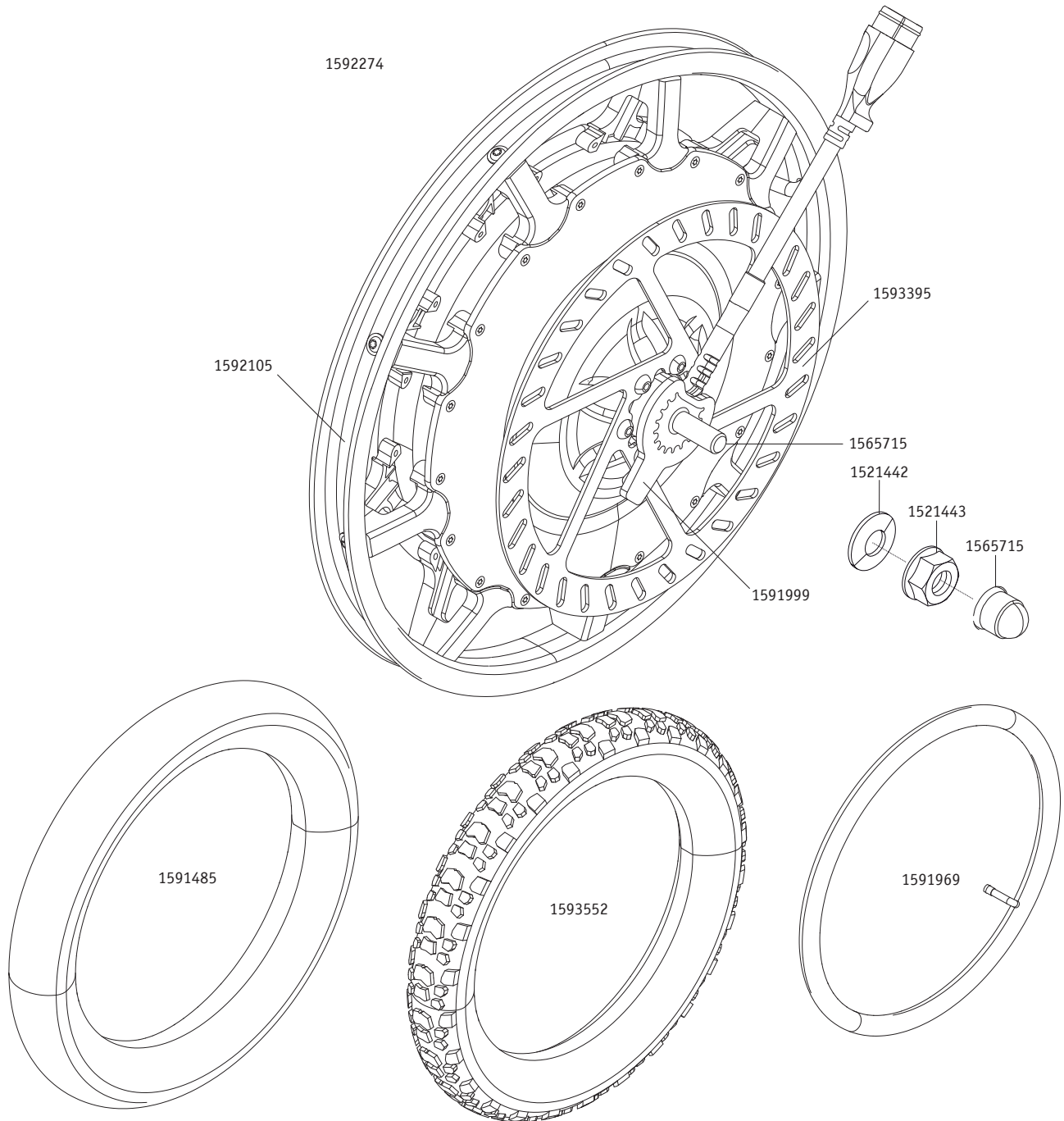


Shimano:
 1 x 1592270
 Magura Mt4:
 1 x 1594617
 Magura MT Trail Sport:
 1 x 1594589
 1 x 1594617
 Magura Mt5:
 1 x 1594589

| Order number | Description | Qty | Net in Eur |
|--------------|---|-----|------------|
| 1592270 | Brake lining Shimano disc brake pads B05S-RX for Saccon brake | pcs | 23,00 |
| 1594589 | Brake lining 8.5 for MT5 | pcs | 34,50 |
| 1594611 | Brake pad 7.C (2-piston) for Magura MT4N | pcs | 20,50 |
| 1594617 | Brake pad 7.P (2-piston) for MT Trail Sport | pcs | 20,50 |

e-pilot P15

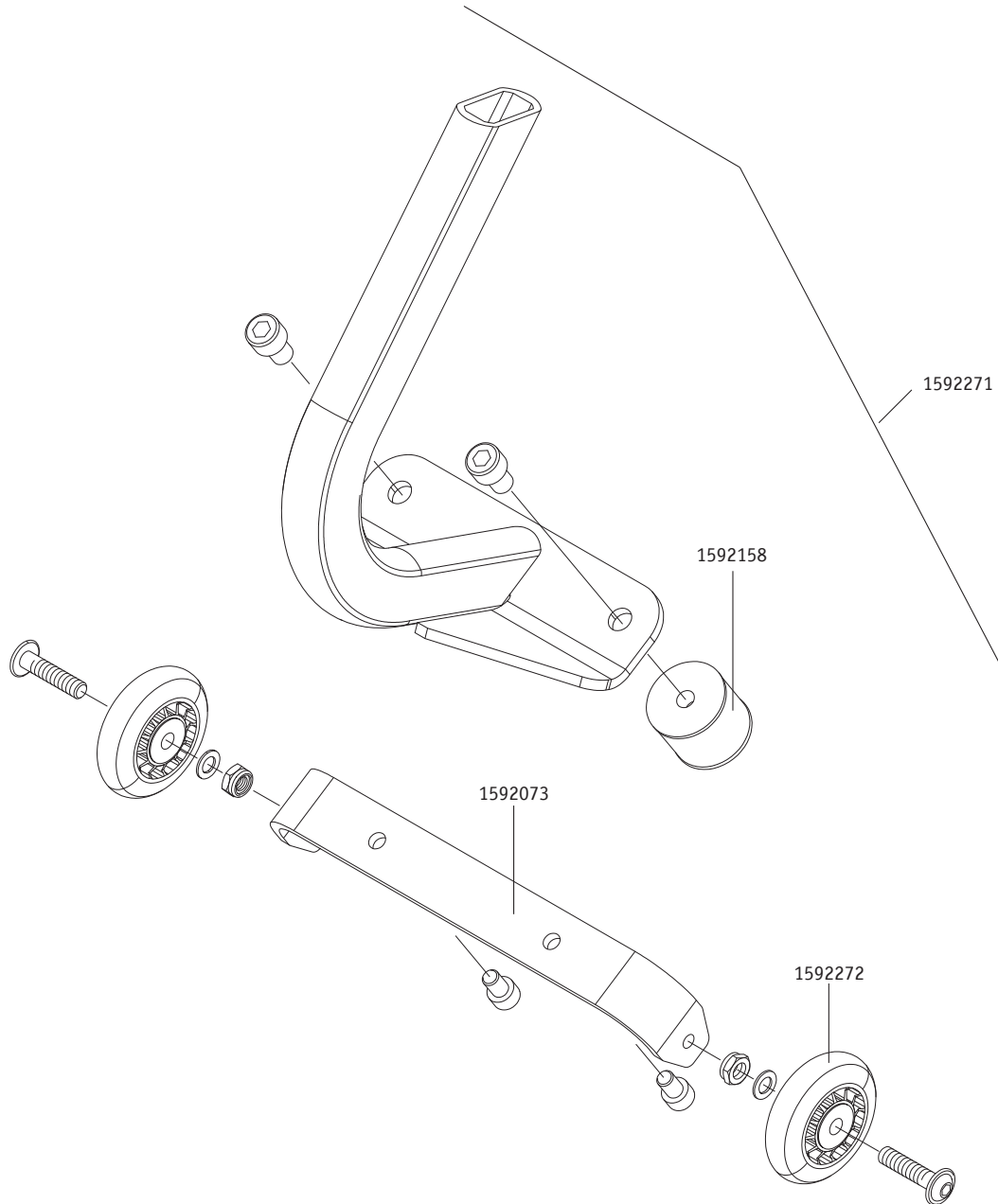
Wheel, tyre and tube



| Order number | Description | Qty | Net in Eur |
|--------------|---|-----|------------|
| 1521442 | U-washes rear motor Z20 - neodrive screw axle | pcs | 0,20 |
| 1521443 | Nut rear motor Z10/Z20 - screw axle | pcs | 0,50 |
| 1565715 | Cover axle nut Z10 / Z20 / P15 / O10 | pcs | 0,70 |
| 1591485 | Tyre 16 x 3.00 for P15 | pcs | 57,55 |
| 1591969 | Tube 16 x 1.75 for P15 | pcs | 16,85 |
| 1591999 | Torque receiver P15 | pcs | 23,25 |
| 1592105 | Rim band 16 inch P15 | pcs | 5,40 |
| 1592274 | Power wheel P15 complete | pcs | 883,65 |
| 1593395 | Brake disc - Magura Storm 203HC2016 | pcs | 28,05 |
| 1593552 | Knobby tyre 16x3.00 2.75-12 CM 516E for P15 | pcs | 88,20 |
| 1594123 | Power wheel P15 complete with knobby tyre | pcs | 881,20 |

e-pilot P15

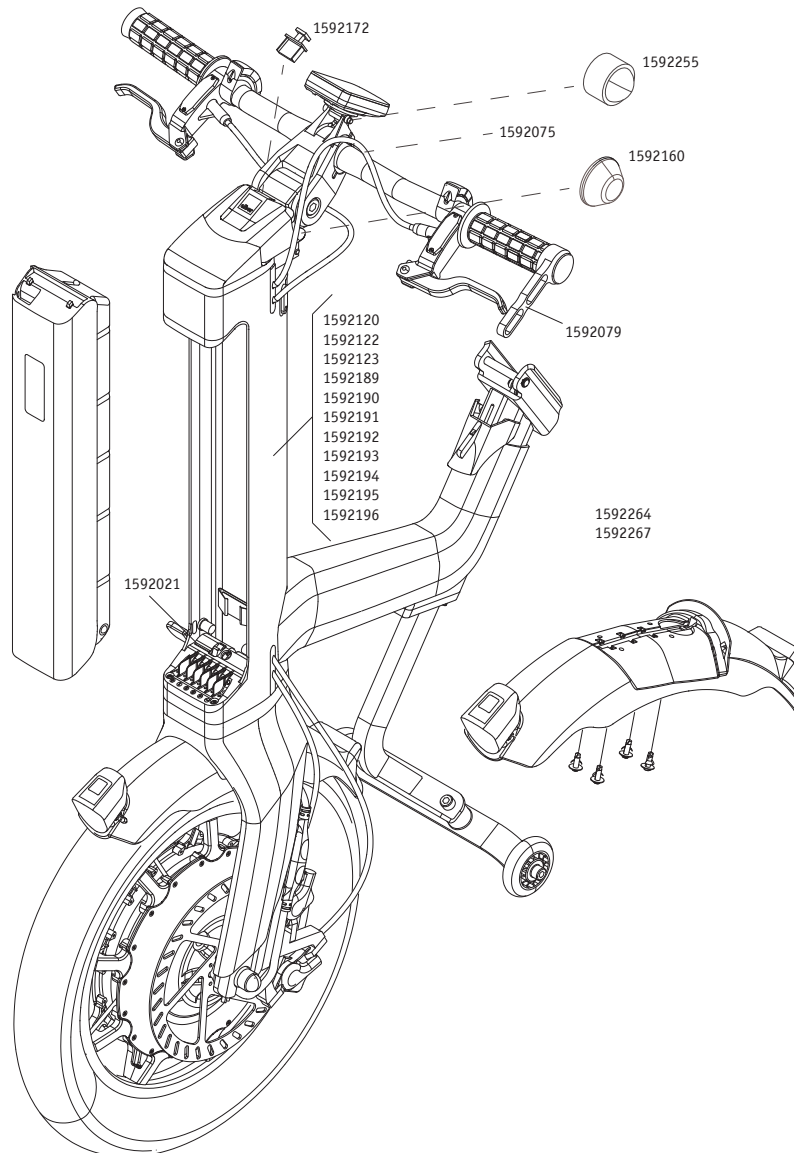
Stand



| Order number | Description | Qty | Net in Eur |
|--------------|-------------------------|-----|------------|
| 1592073 | Bow for stand P15 | pcs | 45,00 |
| 1592158 | Flexible connector P15 | pcs | 6,55 |
| 1592271 | Stand P15 complete | pcs | 139,95 |
| 1592272 | Wheel set for stand P15 | pcs | 33,45 |

e-pilot P15

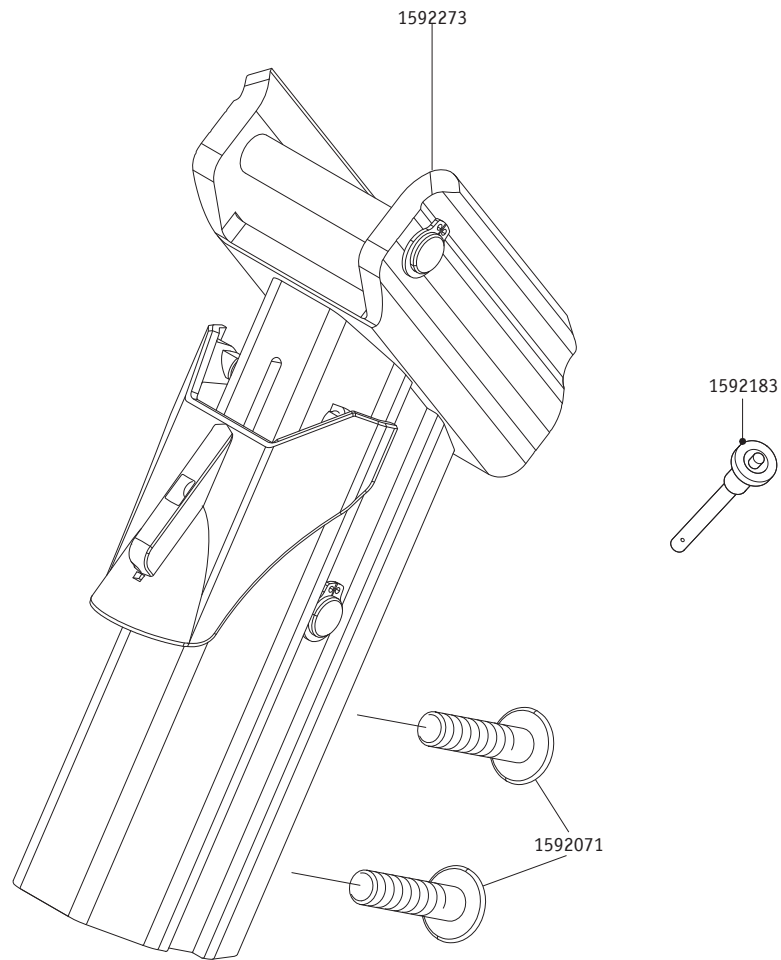
Handle unit



| Order number | Description | Qty | Net in Eur |
|--------------|---|-----|------------|
| 1490801 | Alber Logo 17 x 17mm | pcs | 5,25 |
| 1591391 | Filler for handle | pcs | 2,30 |
| 1592021 | Fixation set key lock for battery UR-V7 Z20 / P15 | pcs | 46,05 |
| 1592075 | Clamp for handlebar complete | pcs | 54,70 |
| 1592120 | Label set P15 white satin | pcs | 89,00 |
| 1592122 | Label set P15 dark yellow gloss | pcs | 89,00 |
| 1592123 | Label set P15 fire red gloss | pcs | 89,00 |
| 1592160 | Stopper element P15 | pcs | 6,50 |
| 1592172 | Cover USB socket P15 with string | pcs | 2,90 |
| 1592189 | Label set P15 lime green gloss | pcs | 89,00 |
| 1592189 | Label set P15 lime green gloss | pcs | 89,00 |
| 1592190 | Label set P15 light blue gloss | pcs | 89,00 |
| 1592191 | Label set P15 blaze orange metallic matt | pcs | 98,00 |
| 1592192 | Label set P15 purple metallic matt | pcs | 98,00 |
| 1592193 | Label set P15 cherry red metallic matt | pcs | 98,00 |
| 1592194 | Label set P15 emerald green metallic matt | pcs | 98,00 |
| 1592195 | Label set P15 dark blue metallic matt | pcs | 98,00 |
| 1592196 | Label set P15 anthracite metallic matt | pcs | 98,00 |
| 1592255 | Cover for nut | pcs | 1,45 |
| 1592264 | Mudguard P15 incl. front- and backlight (standard) | pcs | 167,80 |
| 1592267 | Mudguard P15 incl. front- and backlight (Supernova) | pcs | 301,50 |
| 1592332 | Spiraltube for fixation of cables | pcs | 1,50 |
| 1592079 | Lock for brake P15 | pcs | 8,85 |

e-pilot P15

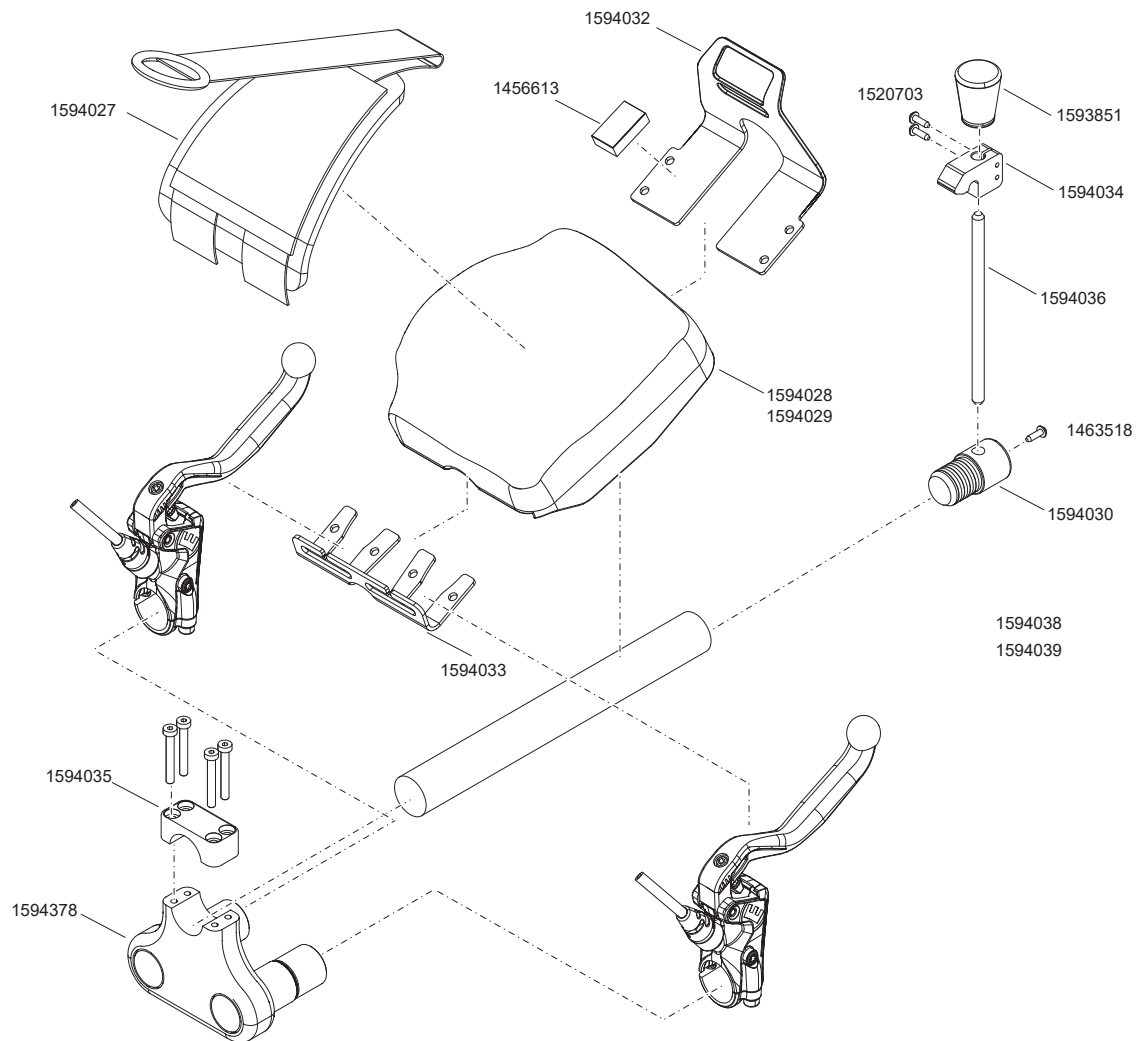
Locking mechanism



| Order number | Description | Qty | Net in Eur |
|--------------|-----------------------|-----|------------|
| 1592071 | Screw M8 x 35 black | pcs | 1,25 |
| 1592183 | Quickpin 8-38 | pcs | 23,95 |
| 1592273 | Locking mechanism P15 | pcs | 269,20 |

e-pilot P15

Tetra-Brake



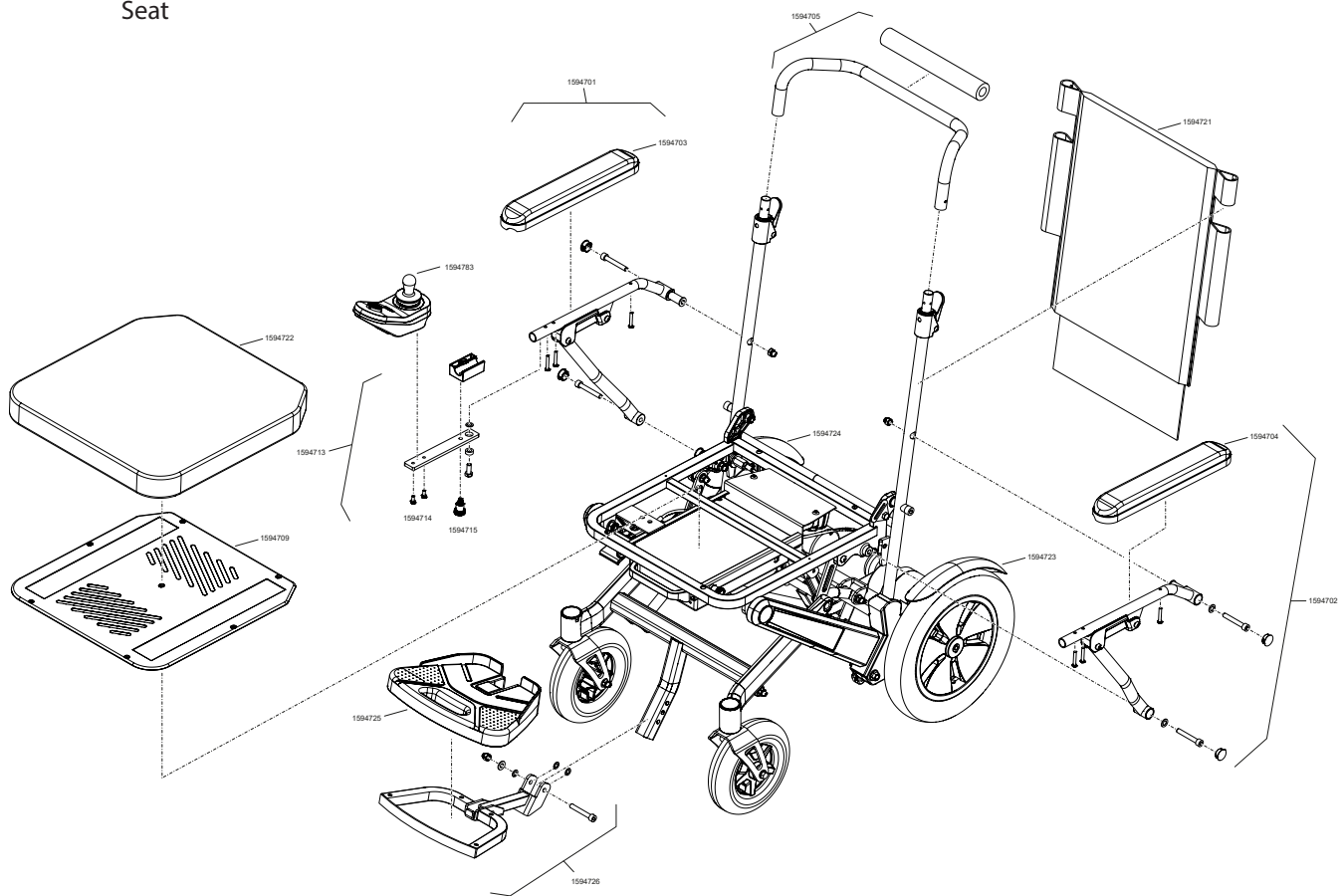
| Order number | Description | Qty | Net in Eur |
|--------------|---|-----|------------|
| 1456613 | Foamstopper small | pcs | 0,20 |
| 1463518 | Screw Ejot PT K 30 x 10 WN 1451 | pcs | 1,60 |
| 1467213 | Cylinder pin ISO 8734-A-3 M 6 x 30 | pcs | 0,55 |
| 1520703 | Screw PT type DG 40 x 16 WN 1552 | pcs | 1,15 |
| 1521440 | Cylinder-head screw DIN 7984 - M 4 x 3 0 - 8.8 A2K - flec | pcs | 0,95 |
| 1593851 | Joystick knob E34 black | pcs | 7,90 |
| 1594027 | Band for hand rest - Tetra-brake P15 | pcs | 107,85 |
| 1594028 | Hand rest right - Tetra-Brake P15 | pcs | 146,25 |
| 1594029 | Hand rest left - Tetra-Brake P15 | pcs | 146,25 |
| 1594030 | Parking brake mount - Tetra-brake P15 | pcs | 54,10 |
| 1594032 | Sheet metal outside - tetra brake P15 | pcs | 85,70 |
| 1594033 | Bracket for Velcro tape - tetra brake P15 | pcs | 79,70 |
| 1594034 | Hook parking brake - tetra brake P15 | pcs | 83,85 |
| 1594035 | Clamp for handlebar - tetra brake P15 | pcs | 106,15 |
| 1594036 | Rod for parking brake - tetra brake P15 | pcs | 29,05 |
| 1594378 | Clamp for tetra brake black | pcs | 238,55 |



| | |
|-----------------------------------|-----|
| erivo R10 | 208 |
| Seat | 209 |
| Folding mechanism | 210 |
| Castor | 211 |
| Drive wheel | 212 |
| Drive unit, Battery-Pack, Charger | 213 |
| Anti tipper | 214 |
| Cable | 215 |
| Attendant control | 216 |

erivo R10

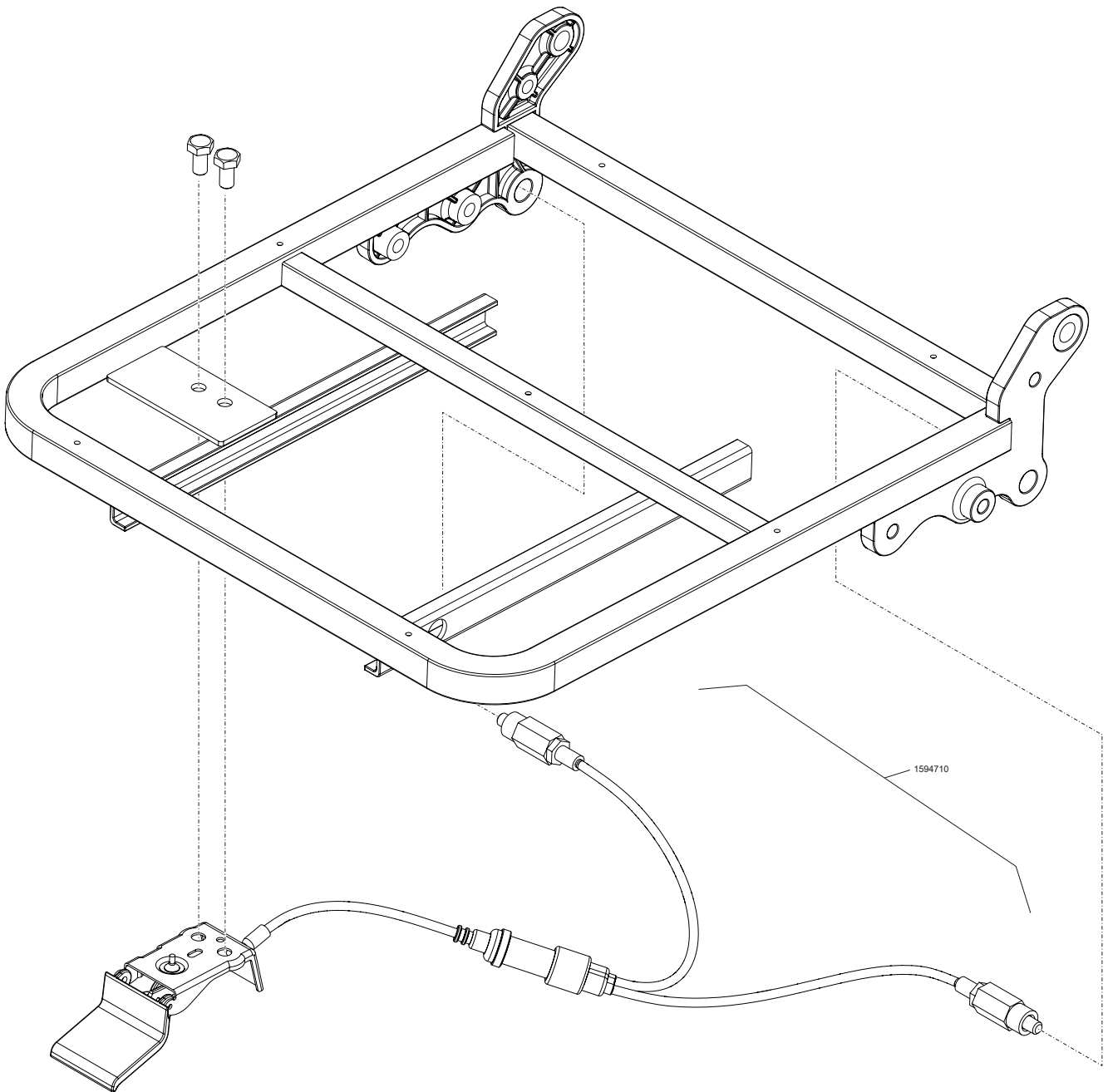
Seat



| Order number | Description | Qty | Net in Eur |
|--------------|--|-----|------------|
| 1594676 | Documentation Kit erivo R10 | pcs | 5,55 |
| 1594701 | Armrest, completely pre-assembled right | pcs | 211 |
| 1594702 | Armrest, completely pre-assembled left | pcs | 211 |
| 1594703 | Armrest, upholstered, right | pcs | 27,65 |
| 1594704 | Armrest, upholstered, left | pcs | 27,65 |
| 1594705 | Push bar with foam cover, erivo R10 | pcs | 124,9 |
| 1594709 | Seat plate R10, plastic | pcs | 28,6 |
| 1594710 | Bowden cable for folding mechanism with release lever, R10 | pcs | 100,8 |
| 1594713 | Swivel arm for control unit, erivo R10 | pcs | 63,8 |
| 1594714 | Screws for operating device (M5x13L), R10 | pcs | 1,8 |
| 1594715 | Locking pin | pcs | 28,6 |
| 1594721 | Backrest cover erivo R10 | pcs | 62,9 |
| 1594722 | Seat cushion erivo R10 | pcs | 55,45 |
| 1594723 | Splash guard rear wheel, left | pcs | 29,55 |
| 1594724 | Splash guard rear wheel, right | pcs | 29,55 |
| 1594725 | Footrest, plastic | pcs | 24 |
| 1594726 | Footrest, cpl. pre-assembled | pcs | 122,15 |
| 1594783 | LINX REMOTE DLX-REM060-A | pcs | 447,8 |
| 1594977 | Instruction for use erivo R1x - German | pcs | 57,75 |
| 1594969 | Instruction for use erivo R1x - English | pcs | 10,5 |
| 1594970 | Instruction for use erivo R1x - French | pcs | 10,5 |
| 1594971 | Instruction for use erivo R1x - Norway | pcs | 10,5 |
| 1594972 | Sigma AURA 45 USB (incl. USB charging cable, without power plug) | pcs | 10,5 |
| 1595271 | User Manual erivo R1X - Swedish | pcs | 10,5 |
| 1595303 | Instruction for use erivo R1x - Italian | pcs | 10,5 |

erivo R10

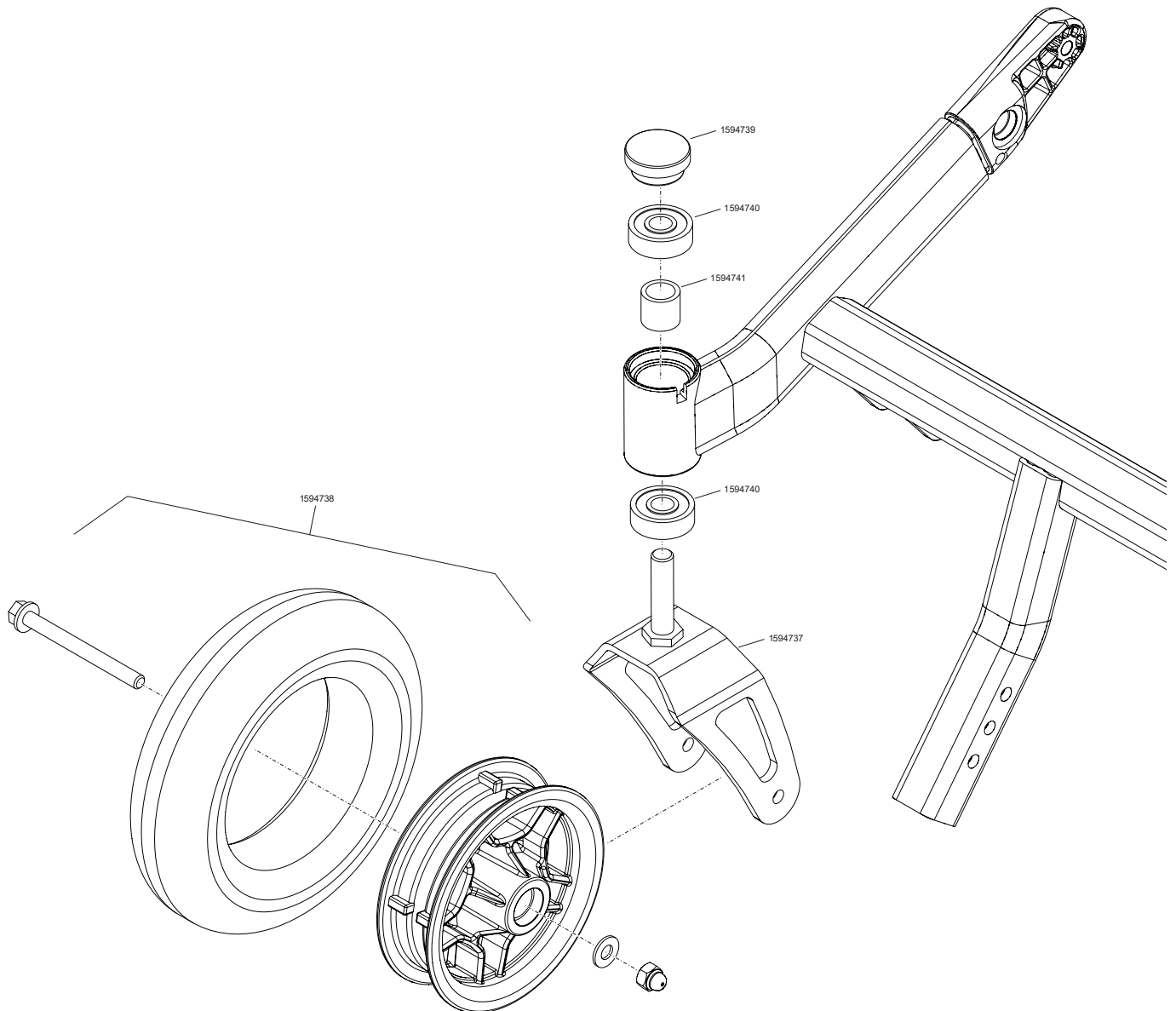
Folding mechanism



| Order number | Description | Qty | Net in Eur |
|--------------|--|-----|------------|
| 1594710 | Bowden cable for folding mechanism with release lever, R10 | pcs | 100,80 |

erivo R10

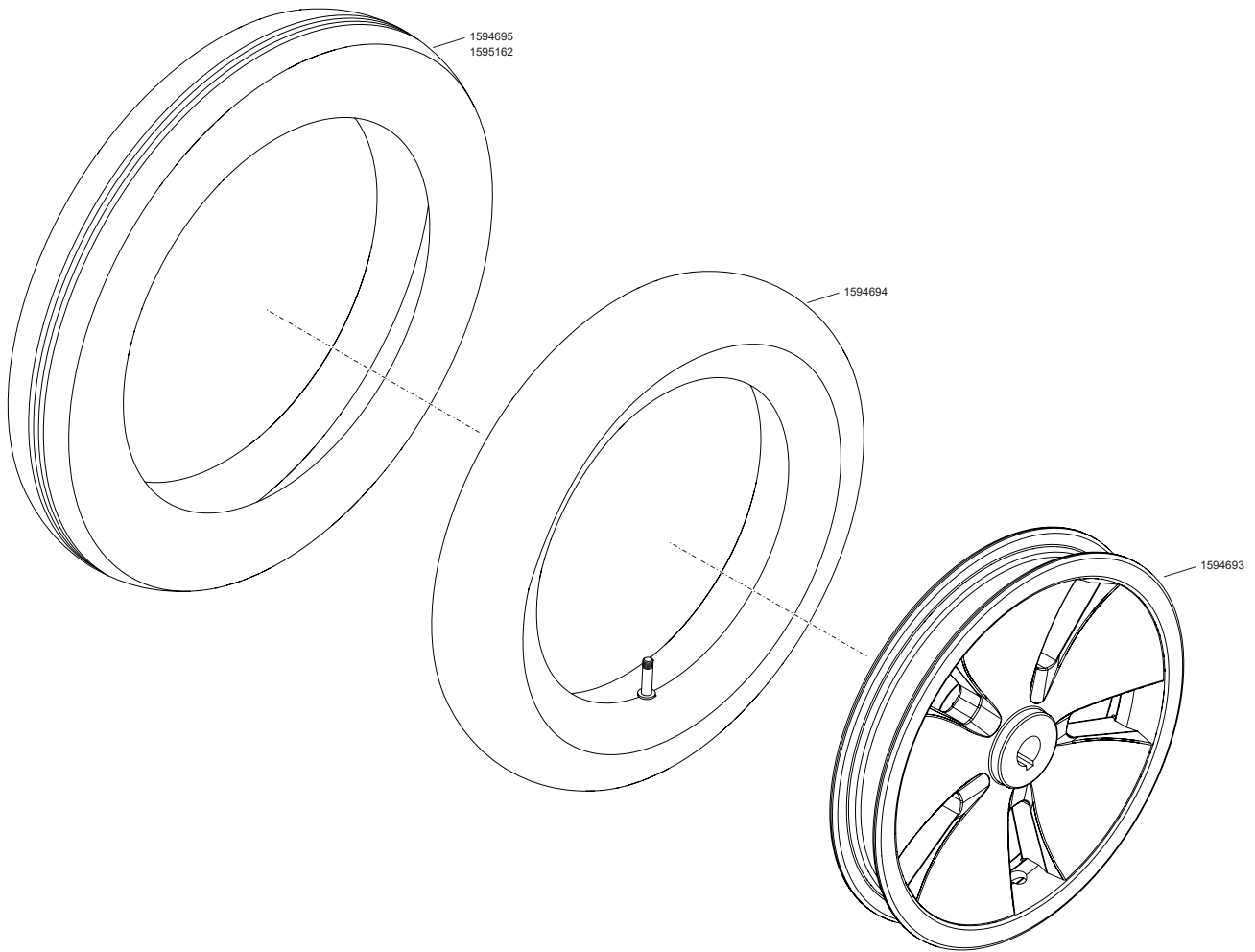
Castor



| Order number | Description | Qty | Net in Eur |
|--------------|--|-----|------------|
| 1594737 | Steering fork erivo R10 | pcs | 48,95 |
| 1594738 | Front wheel erivo R10, complete with rim and PU tire, screws | pcs | 62,90 |
| 1594739 | End caps, side frame, plastic | pcs | 2,65 |
| 1594740 | Ball bearing steering fork | pcs | 20,25 |
| 1594741 | Spacer for ball bearing | pcs | 7,30 |

erivo R10

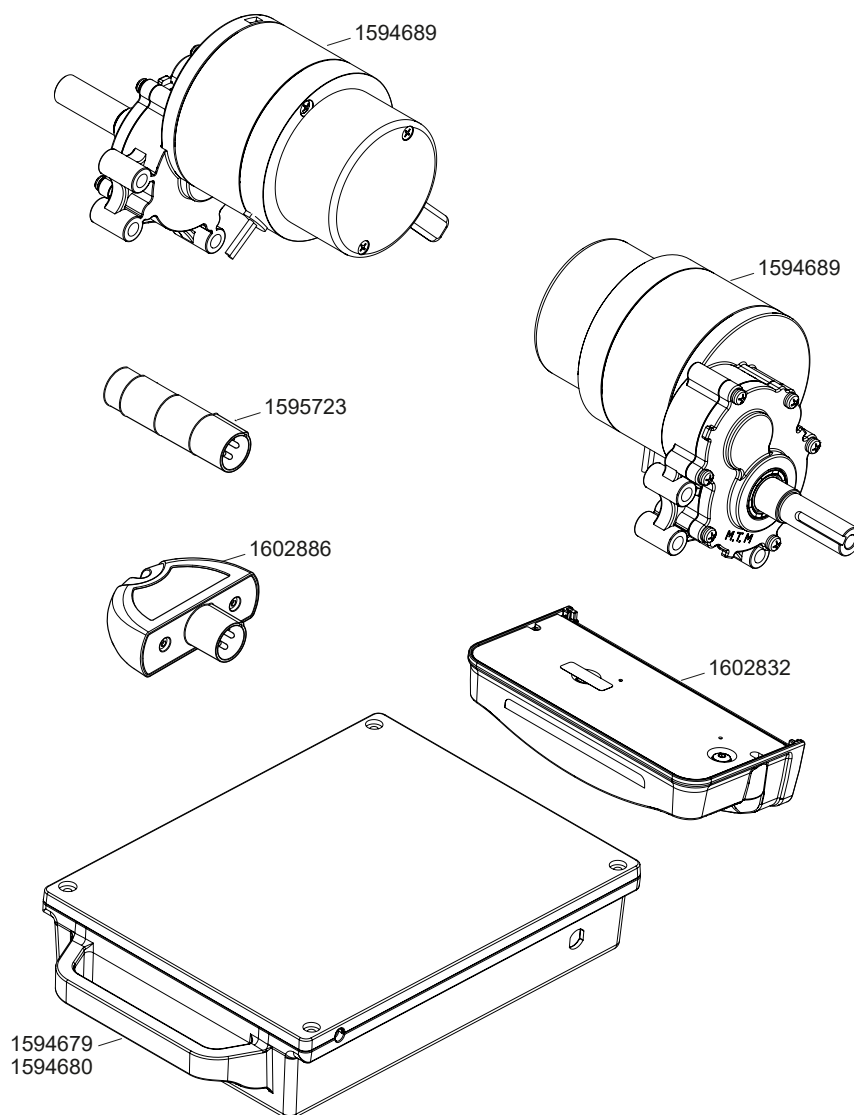
Drive whell



| Order number | Description | Qty | Net in Eur |
|--------------|---|-----|------------|
| 1594693 | Rim erivo R10, rear wheel, plastic, black | pcs | 63,80 |
| 1594694 | Tube erivo R10, 12 1/2" | pcs | 28,60 |
| 1594695 | Tire erivo R10, pneumatic, 12 1/2" | pcs | 96,20 |
| 1595162 | Rear wheel 12.5", PU, complete (rim, tire, inlay) R10 | pcs | 127,75 |

erivo R10

Drive unit, Battery-Pack, Charger

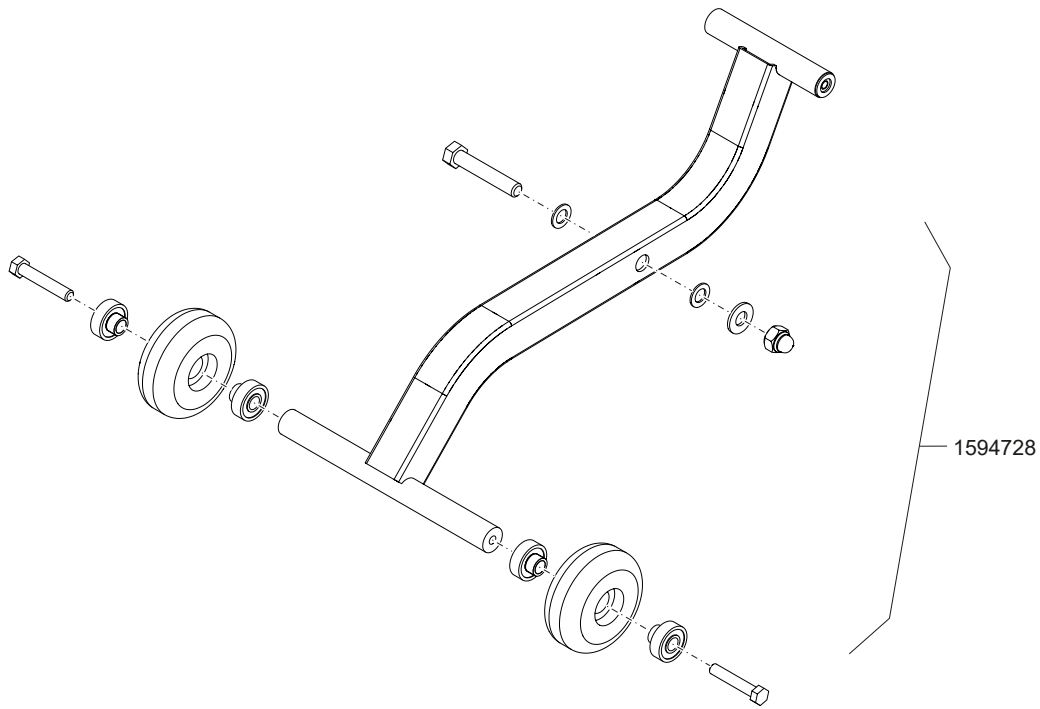


| Order number | Description | Qty | Net in Eur |
|--------------|--|-----|------------|
| 1594679 | Battery Pack, Erivo, Lithium-Ion, 11 Ah | pcs | 540,19 |
| 1594680 | Battery Pack, Erivo, Lithium-Ion, 30.15 Ah | pcs | 850,47 |
| 1594689 | Motor/gearbox unit cpl. for erivo, left | pcs | 461,95 |
| 1594690 | Motor/gearbox unit cpl., erivo, right | pcs | 461,95 |
| 1594691 | Charger, 2 A, Erivo, w/ Charging adapter & Power Cord EU (Set) | pcs | 86,60 |
| 1594692 | Mains cable EU, erivo R10 | pcs | 18,45 |
| 1594782 | Charger, Automatic, 6 Amp. | pcs | 176,00 |
| 1595723 | Charging adapter plug, 4PIN-To-3PIN | pcs | 30,40 |
| 1602832 | LiNX,DLX-PM60 | pcs | 375,65 |
| 1602886 | LiNX Programming Access (Dongle orange) | pcs | 262,15 |



erivo R10

Anti tipper

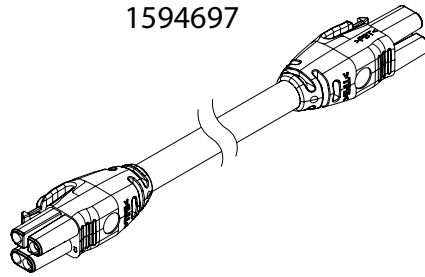


| Order number | Description | Qty | Net in Eur |
|--------------|---|-----|------------|
| 1594728 | Antitipper erivo R10, completely preassembled | pcs | 86,00 |

erivo R10

Cable

1594697

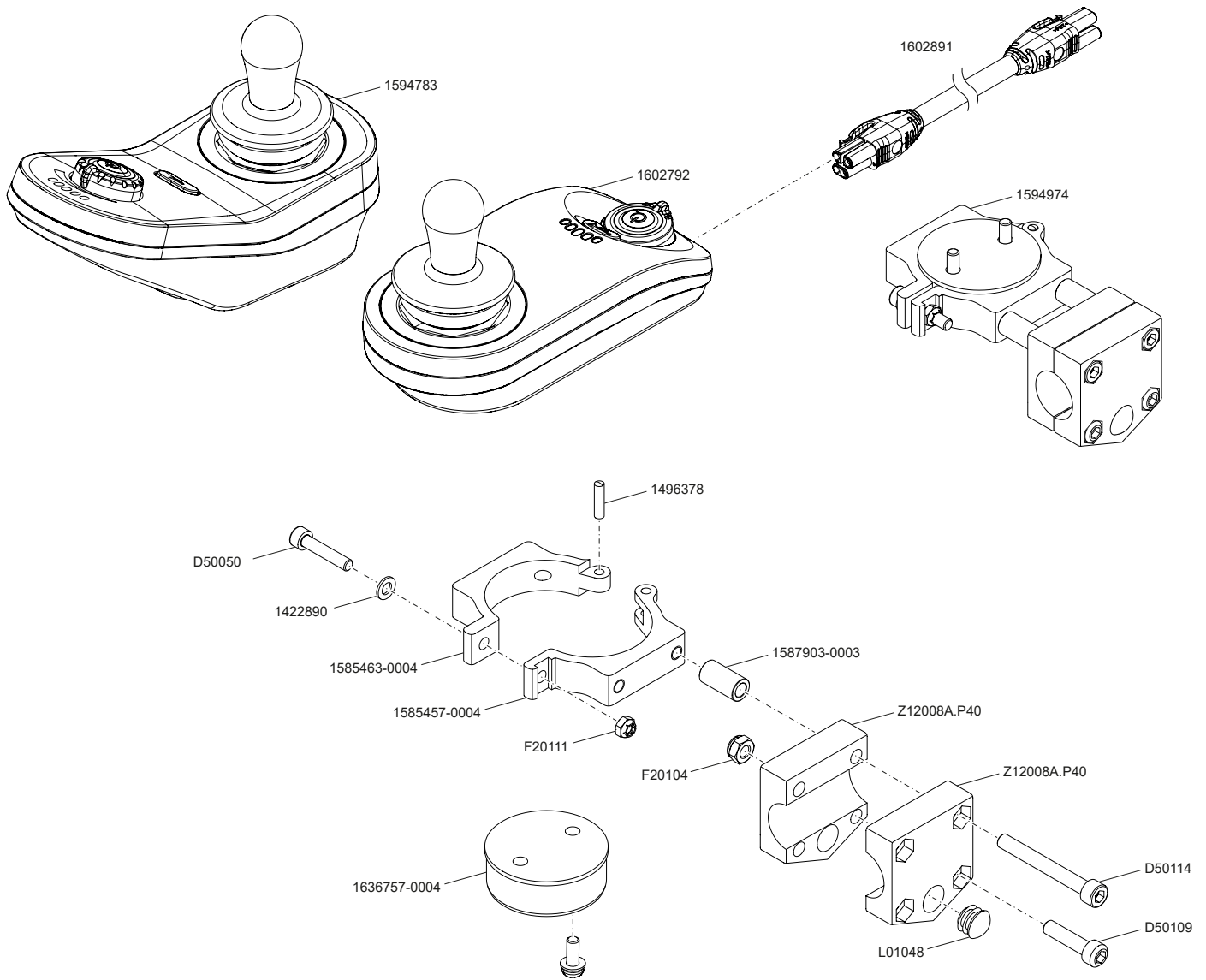


| Order number | Description | Qty | Net in Eur |
|--------------|--|-----|------------|
| 1594697 | Cable, battery pack | pcs | 88,75 |
| 1594698 | Ferrite core for motor cable | pcs | 27,65 |
| 1594700 | Frame for connector for battery pack erivo R10 | pcs | 11,00 |



erivo R10

Attendant control



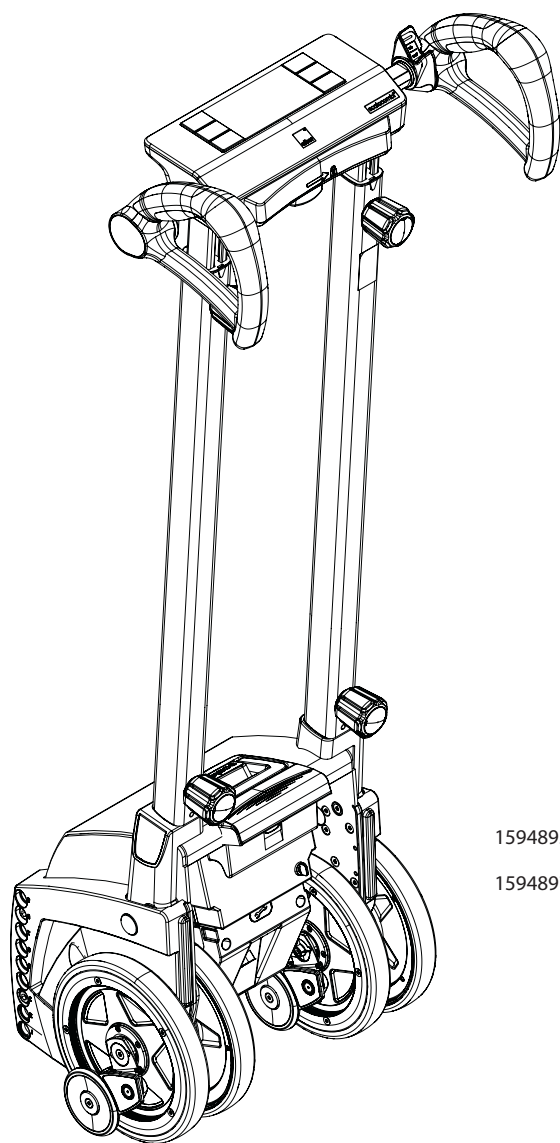
| Order number | Description | Qty | Net in Eur |
|--------------|---|-----|------------|
| 1422890 | SHB-DIN125-A-140HV-(ZN5/FN/T2)-D5,3-NSP | pcs | 0,80 |
| 1496378 | DIN7 m6 4x16 | pcs | 1,75 |
| 1594783 | LINX REMOTE DLX-REM060-A | pcs | 447,80 |
| 1594974 | Bracket set attendant control unit, incl. Buscable 100 cm | pcs | 138,90 |
| 1602792 | LiNX,DLX-REM050 Remote DO js front | pcs | 299,07 |
| 1602891 | LiNX,GLM-BUS100 BUS cable 1000mm | pcs | 53,20 |
| 1585457-0004 | Clamp fixed black Attendant remote DX2 | pcs | 38,70 |
| 1587903-0003 | Bush Attendant control D=10 d=6,1 l=19 | pcs | 15,25 |
| 1636757-0004 | Cylinder receptacle TDX SP2 ULM LiNX | pcs | 30,65 |
| D50050 | SHR-ZYL-ISO4762-8.8-ZN5/FN/T2-M5X25-NSP | pcs | 0,80 |
| D50109 | DIN912 M06x25 8.8 VZ | pcs | 0,80 |
| D50114 | SHR-ZYL-ISO4762-8.8-IS5-(A2K)-M6X50 | pcs | 0,80 |
| F20104 | MU-6KT-STOP-DIN985-IBI-SW10-(A2K)-M6 | pcs | 1,15 |
| F20111 | DIN985 M05 SVZ | pcs | 0,80 |
| L01048 | Gleiter SL16 (cover) | pcs | 0,80 |
| Z12008A.P40 | Clamp with hex hole | pcs | 8,95 |

scalamobil / scalacombi

| | | | |
|-----------------------|-----|------------------------|-----|
| scalamobil S45/S46 | 218 | scalacombi eco S34 | 240 |
| Components | 218 | Components | 240 |
| Drive unit | 219 | Drive unit housing | 241 |
| E-Box | 220 | Drive unit housing | 242 |
| Battery pack | 221 | Drive unit battery | 243 |
| Carrying handle | 222 | Drive unit gear box | 244 |
| Wheel | 223 | Drive unit spare parts | 245 |
| Brakes | 224 | Wheel | 246 |
| Handle upper part | 225 | Brakes | 247 |
| | | Seat unit | 248 |
| scalacombi S46 | 226 | Footrest | 249 |
| Seat unit | 226 | Handle unit | 250 |
| | | | |
| scalamobil S35/S38 | 228 | | |
| Components | 228 | | |
| Drive unit | 229 | | |
| E-Box | 230 | | |
| Battery | 231 | | |
| Carrying handle | 232 | | |
| Wheel | 233 | | |
| Brakes | 234 | | |
| Handle unit | 235 | | |
| | | | |
| scalacombi S36/S39 | 236 | | |
| scalacombi | 236 | | |
| | | | |
| scalaport X7 | 237 | | |
| | | | |
| scalachair X3 | 238 | | |
| | | | |
| scalamobil accesories | 239 | | |
| Anti tipper | 239 | | |

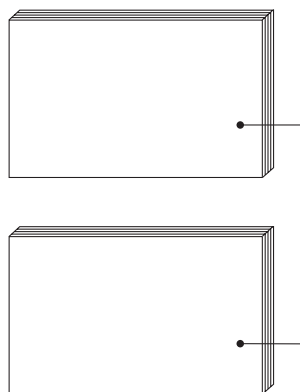
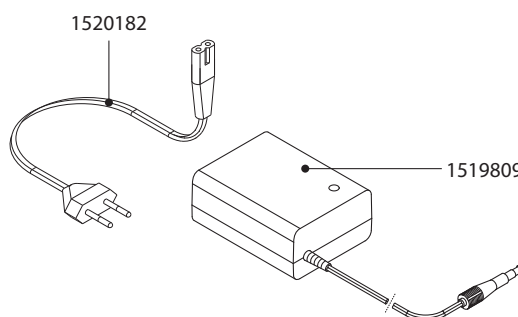
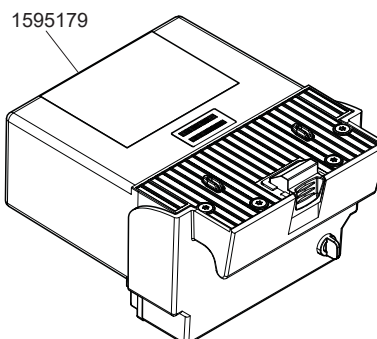
scalamobil S45/S46

Components



1594895

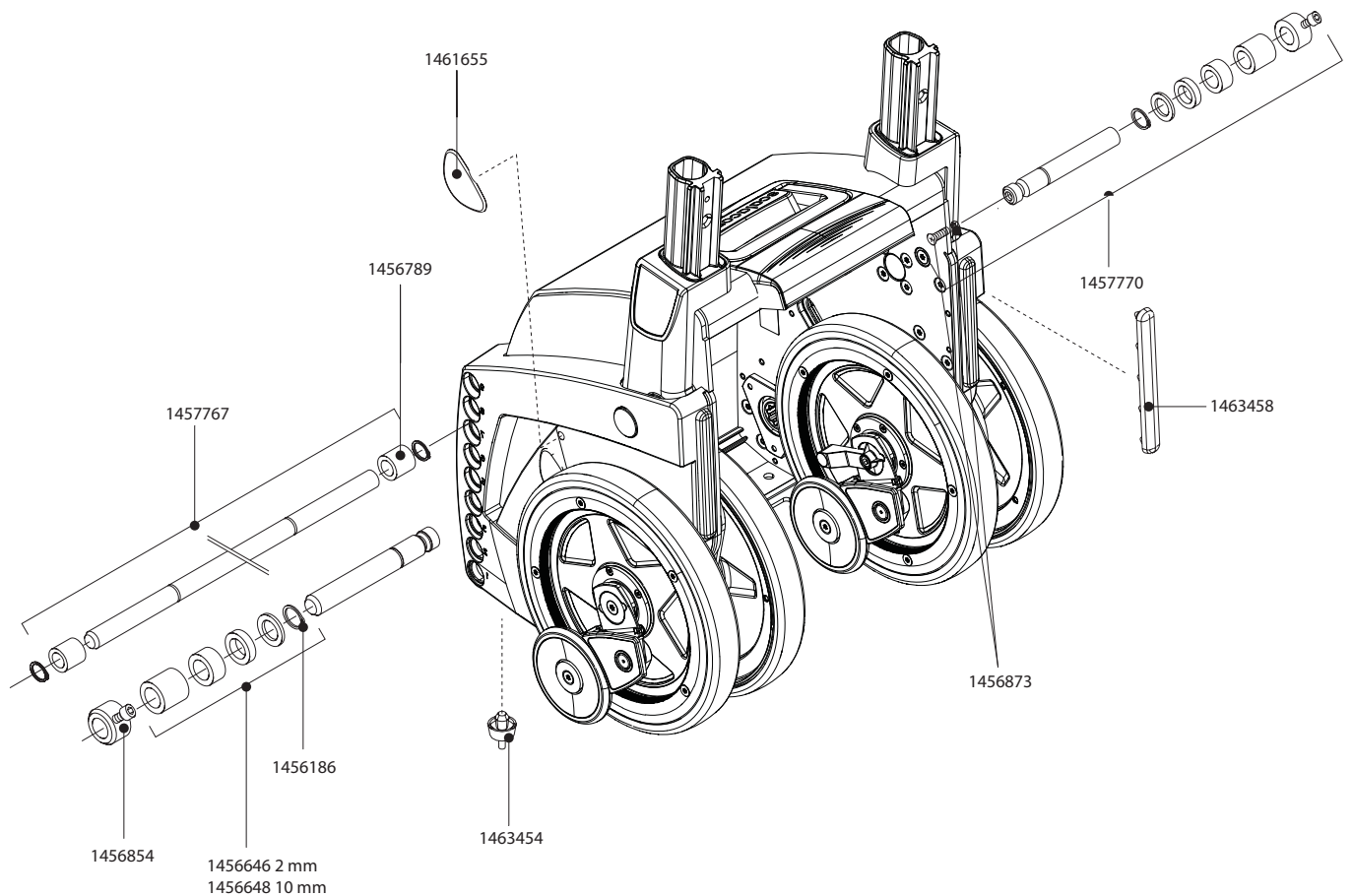
1594897



| Order number | Description | Qty | Net in Eur |
|--------------|---------------------------------------|-----|------------|
| 1519809 | Charger 24V 1,0A with main cable EU | pcs | 120,35 |
| 1520182 | Mains cable EU for charger M25 | pcs | 25,65 |
| 1594895 | Drive unit S45 | pcs | 5446,10 |
| 1594897 | Drive unit S46 | pcs | 6146,80 |
| 1595179 | Battery pack S45/S46 | pcs | 171,95 |
| 1595620 | Instruction for Use S45/S46 - English | pcs | 10,90 |
| 1595621 | Instruction for Use S45/S46 - French | pcs | 10,90 |
| 1595622 | Instruction for Use S45/S46 - German | pcs | 10,90 |
| 1595623 | Instruction for Use S45/S46 - italian | pcs | 10,90 |

scalamobil S45/S46

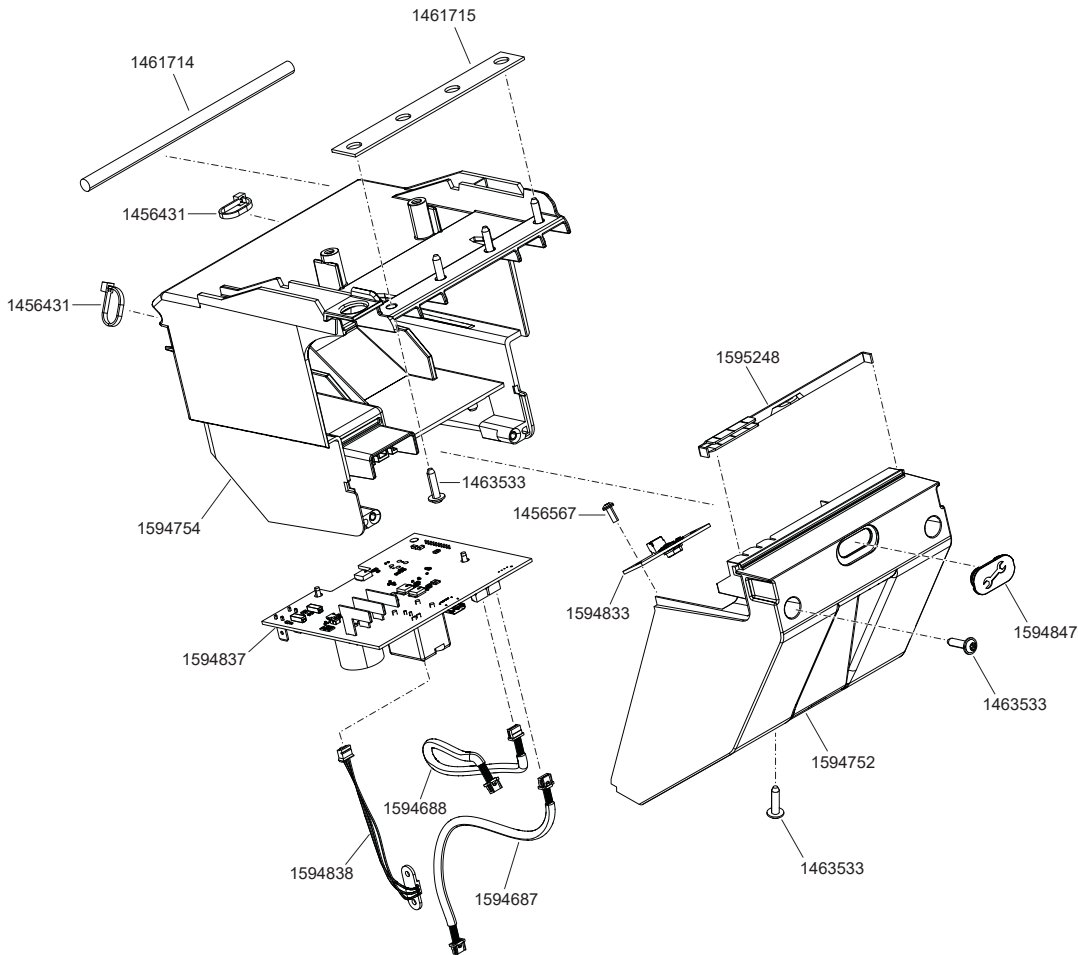
Drive unit



| Order number | Description | Qty | Net in Eur |
|--------------|---|-----|------------|
| 1456186 | Locking ring DIN 471 - 16 x 1 Fst | pcs | 0,15 |
| 1456646 | Spacer ring 2mm | pcs | 0,65 |
| 1456648 | Spacer ring 10mm | pcs | 0,65 |
| 1456789 | Distance socket scalamobil lower mounting | pcs | 1,80 |
| 1456854 | Set collar galvanized for scalamobil | pcs | 12,35 |
| 1456873 | Screws and bolts for mounting of upper bolts scalamobil (without bolts) | pcs | 1,90 |
| 1457767 | Lower bolt scalamobil (Dummy Code) | pcs | 22,85 |
| 1457770 | Upper bolts scalamobil (Dummy Code) | pcs | 32,65 |
| 1461655 | Side shell cover scalamobil S35 | pcs | 1,80 |
| 1463454 | Device feet scalamobil S35 | pcs | 3,85 |
| 1463458 | Rubber protector housing scalamobil | pcs | 4,90 |
| 1489247 | Adjusting ring set for scalamobil/viamobil | pcs | 16,95 |

scalamobil S45/S46

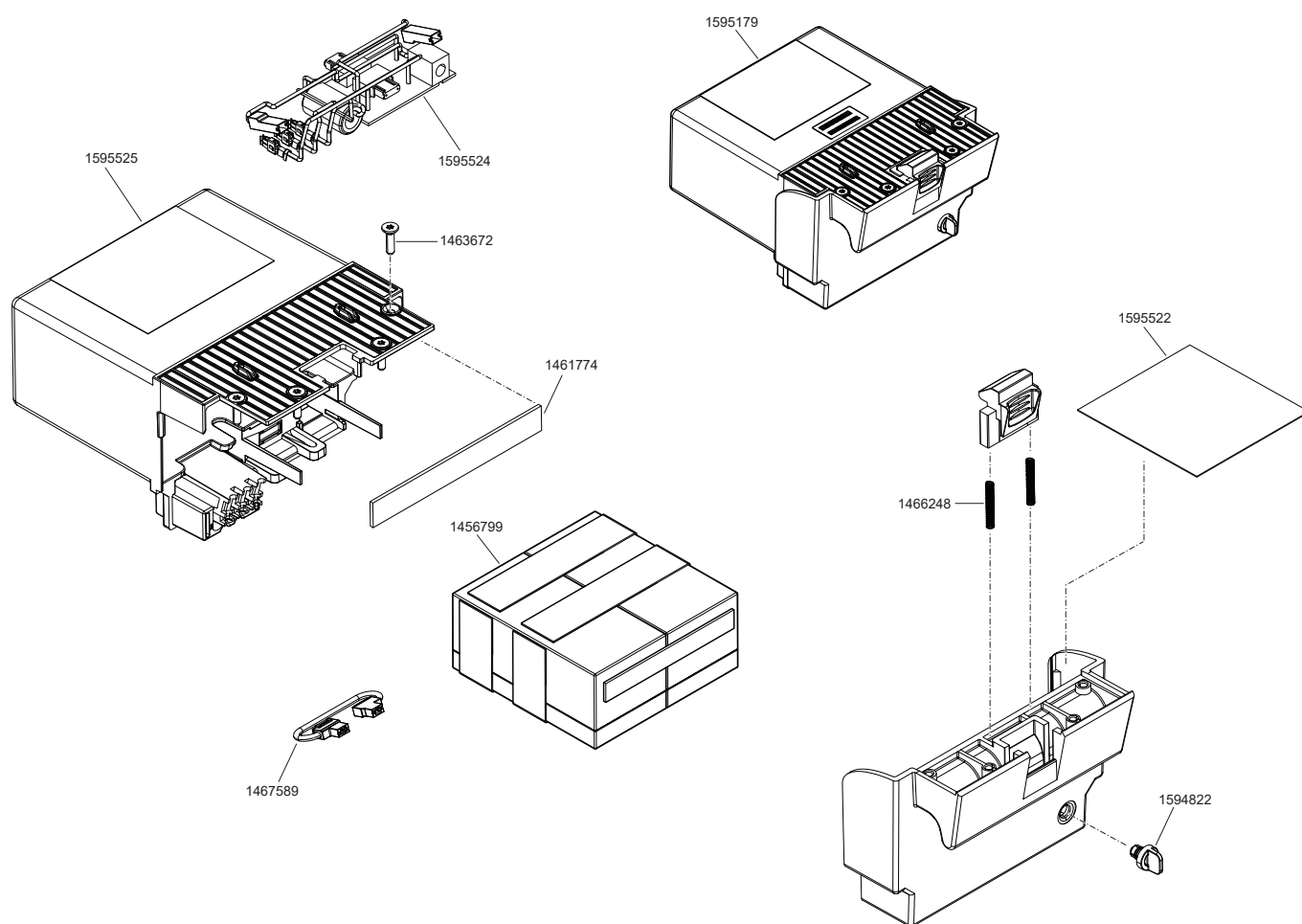
E-Box



| Order number | Description | Qty | Net in Eur |
|--------------|--------------------------------------|-----|------------|
| 1456431 | Binder 2,6 x 200mm black | pcs | 6,05 |
| 1456567 | Screw Ejot PT K 30 x 8 WN 1451 | pcs | 0,15 |
| 1461714 | Damping element | pcs | 4,25 |
| 1461715 | Intermediate piece for attenuator | pcs | 1,65 |
| 1463533 | Screw Ejot PT K 40 x 16 WN 1451 | pcs | 0,15 |
| 1594687 | Cable long ToF Sensor L=640mm | pcs | 21,20 |
| 1594688 | Cable short with Sensor L=160mm | pcs | 21,20 |
| 1594752 | Cover for Sensor 1+2 | pcs | 26,15 |
| 1594754 | Holder for Battery | pcs | 33,35 |
| 1594833 | ECU for ToF Sensor | pcs | 47,10 |
| 1594837 | ECU for Drive Unit | pcs | 231,00 |
| 1594838 | cable sensor with connector S45, S46 | pcs | 18,00 |
| 1594847 | cover USB-C port S45, S46, V24 | pcs | 11,05 |
| 1595248 | Sealing sensor cover | pcs | 2,25 |

scalamobil S45/S46

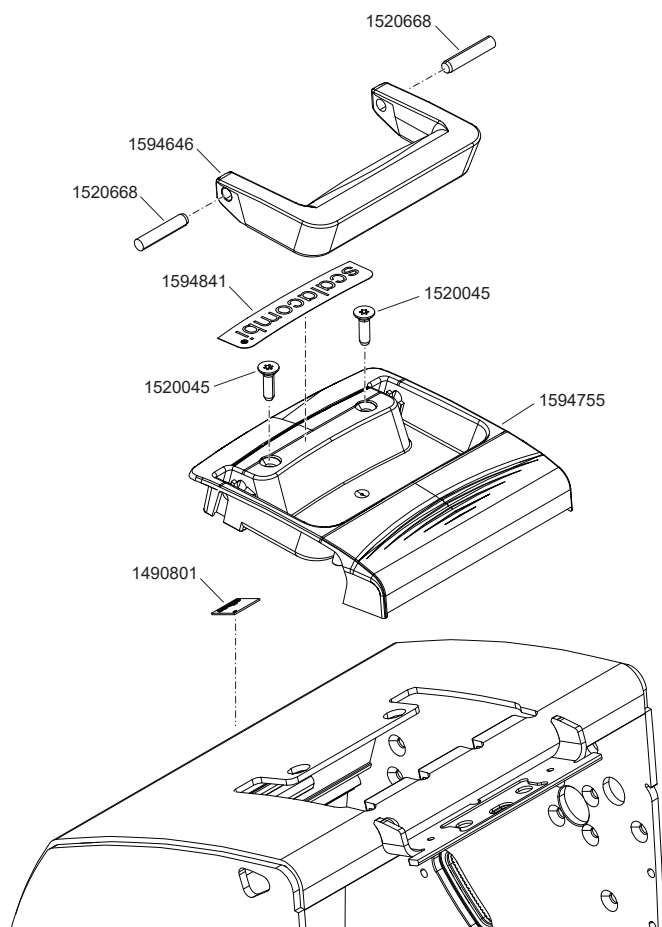
Battery pack



| Order number | Description | Qty | Net in Eur |
|--------------|---|-----|------------|
| 1456799 | Batteries scalamobil complete | pcs | 127,65 |
| 1461774 | Damping element of cellular rubber 15 x 120 x 2mm selbstklebend self-adhesive | pcs | 0,90 |
| 1463672 | Countersunk head screw Remform Torx 4 x 16 WN 156-1 | pcs | 0,15 |
| 1466248 | Pressure spring VD-052G | pcs | 0,65 |
| 1467589 | Connecting cable batteries scalamobil S30 | pcs | 5,30 |
| 1594822 | cover for charging socket S45,S46 | pcs | 3,75 |
| 1595179 | Battery pack S45/S46 | pcs | 171,95 |
| 1595522 | Sticker circuit diagram battery pack scala S4x | pcs | 2,50 |
| 1595524 | Circuit board for batteries S45, S46 assembled | pcs | 40,55 |
| 1595525 | Set Front cover battery pack and Housing for Battery S45,S46 | pcs | 97,10 |

scalamobil S45/S46

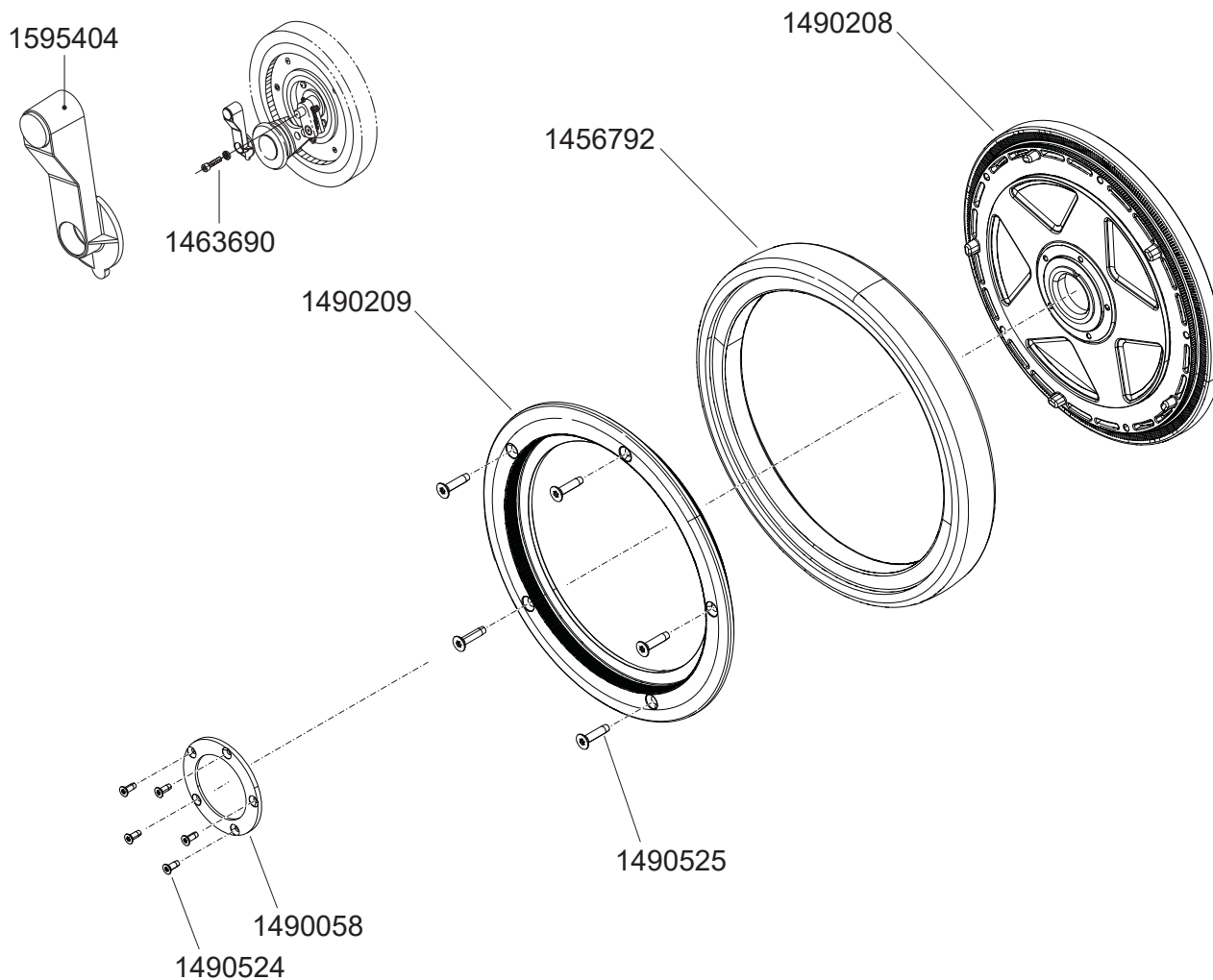
Carrying handle



| Order number | Description | Qty | Net in Eur |
|--------------|------------------------------------|-----|------------|
| 1490801 | Alber Logo 17 x 17mm | pcs | 5,25 |
| 1520045 | Ejot Delta PT Screw 50 x 18-AZK | pcs | 0,30 |
| 1520668 | Cylinder pin DIN6325 Geh M6 6 x 32 | pcs | 0,45 |
| 1594646 | Carrying handle scalamobil | pcs | 7,45 |
| 1594755 | Holder Sensor 3 | pcs | 17,70 |
| 1594839 | label for drive unit scalamobil | pcs | 6,10 |
| 1594841 | label for drive unit scalacombi | pcs | 6,10 |

scalamobil S45/S46

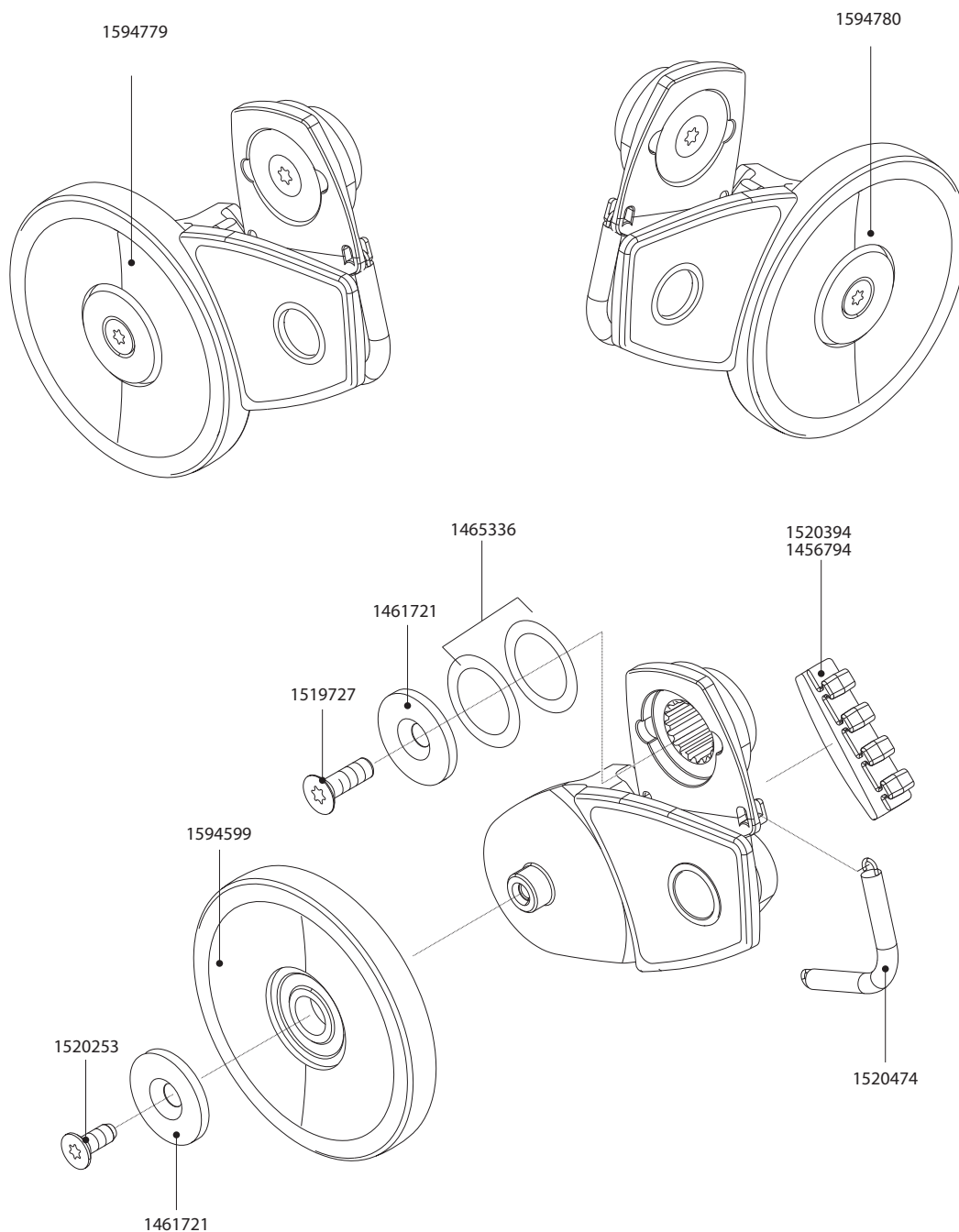
Wheel



| Order number | Description | Qty | Net in Eur |
|--------------|---|-----|------------|
| 1456792 | Tyre for scalamobil S34/S35/S45/S46 | pcs | 62,00 |
| 1461675 | Flange sleeve 23 x 25 x 32 x 7mm | pcs | 3,05 |
| 1490058 | Hub cover S34/S35/S45/S46 beamless | pcs | 27,90 |
| 1490208 | Rim inner wheel scalamobil S35/S34 beamless | pcs | 111,95 |
| 1490209 | Rim outer wheel scalamobil S34/S35/S45/S46 | pcs | 115,30 |
| 1490524 | Selftapping countersink screw | pcs | 0,10 |
| 1490525 | Selftapping countersink screw | pcs | 0,15 |
| 1595404 | Magnet holder S4x completely | pcs | 70,80 |

scalamobil S45/S46

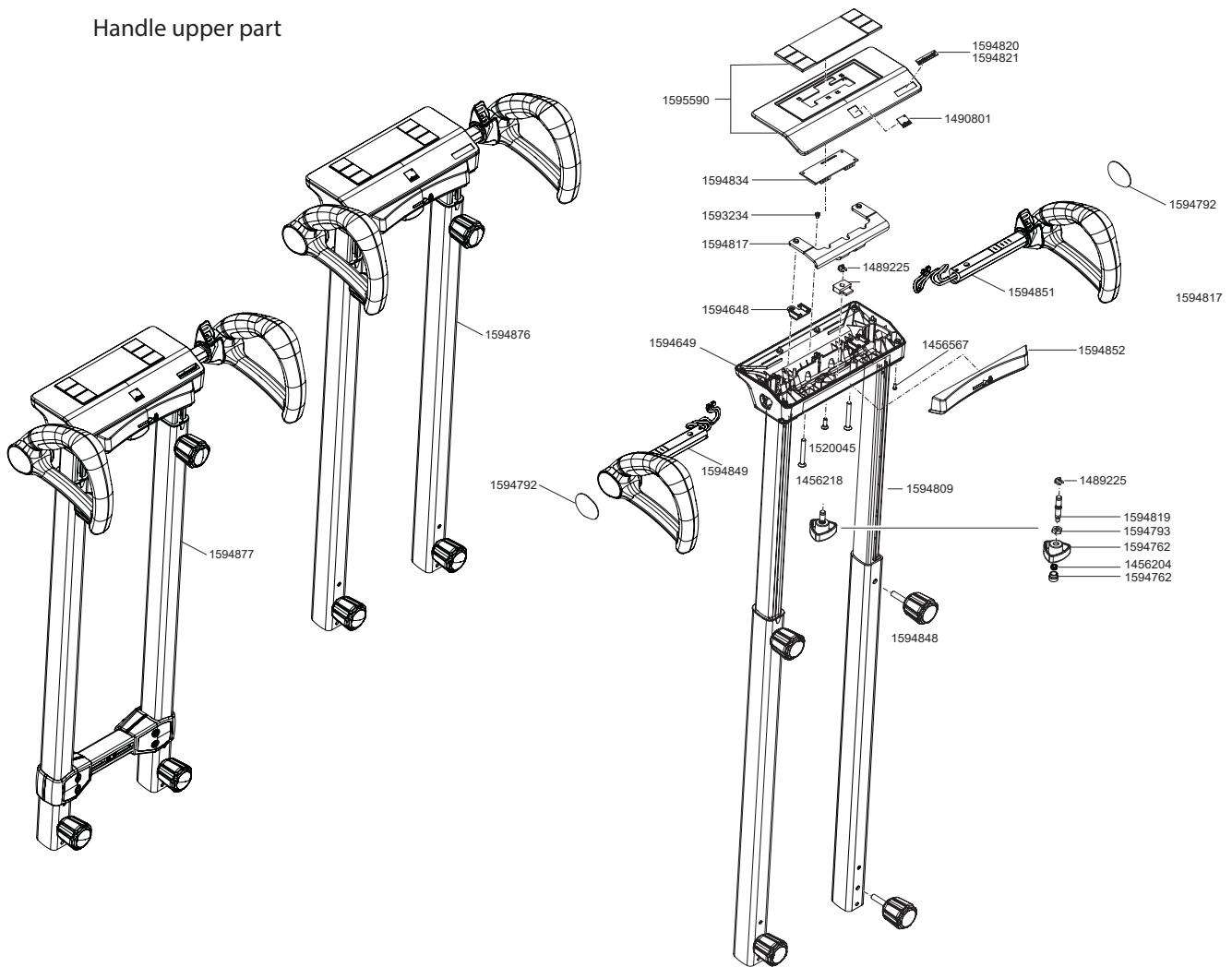
Brakes



| Order number | Description | Qty | Net in Eur |
|--------------|---|-----|------------|
| 1461721 | Washer | pcs | 1,45 |
| 1595349 | Countersunk head screw DIN 7991 M 5 x 16 - 8.8 | pcs | 0,25 |
| 1520253 | Ejot Delta PT-Screw WN 5454-45 x 12-A2K | pcs | 0,25 |
| 1520394 | Brake lining S35/S36/S45/S46 | pcs | 13,90 |
| 1456794 | Brake lining scalamobil S30/S31, S34, S38/S39 | pcs | 16,35 |
| 1520474 | Tension Spring brake scalamobil S35/S45/S46 | pcs | 3,45 |
| 1594599 | S45/S46 large brake wheel (screws not included) | pcs | 12,80 |
| 1594779 | Brake S45, S46 left mounted | pcs | 205,40 |
| 1594780 | Brake S45, S46 right mounted | pcs | 205,40 |

scalamobil S45/S46

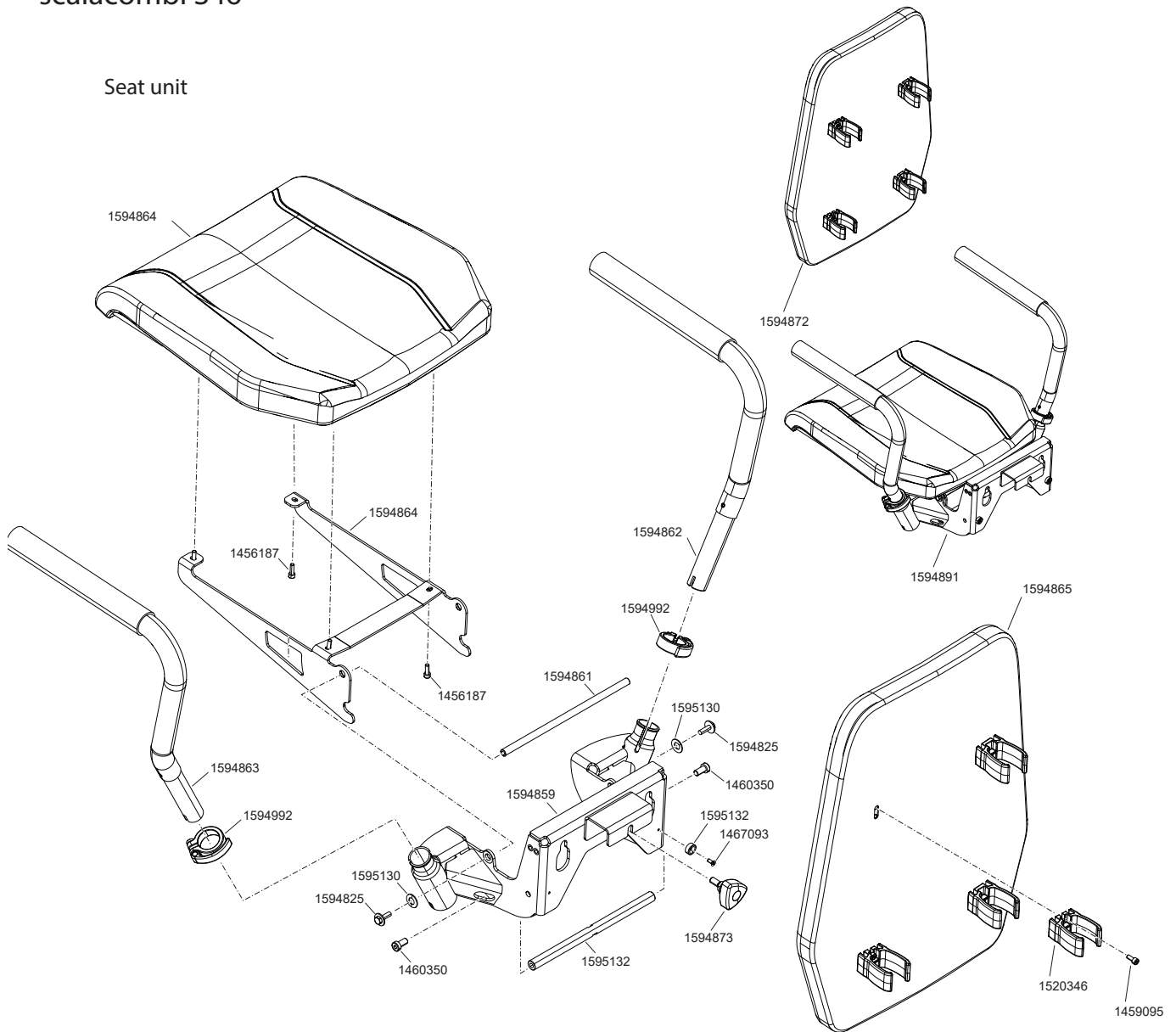
Handle upper part



| Order number | Description | Qty | Net in Eur |
|--------------|---|-------|------------|
| 1456218 | Countersunk head screw DIN 7991 - M 6 x 50 - 8.8 | Stück | 0,55 |
| 1456567 | Screw Ejot PT K 30 x 8 WN 1451 | Stück | 0,15 |
| 1489225 | Blanking plate | Stück | 0,35 |
| 1490801 | Alber Logo 17 x 17mm | Stück | 5,25 |
| 1520045 | Ejot Delta PT Screw 50 x 18-AZK | Stück | 0,30 |
| 1593234 | Screw DIN7984 M4x5 | Stück | 0,40 |
| 1594648 | Clamping piece for handle | Stück | 3,85 |
| 1594649 | Housing below | Stück | 21,55 |
| 1594675 | welded housing | Stück | 277,55 |
| 1594792 | handle side sticker S45,S46 | Stück | 6,15 |
| 1594809 | bridge circuit, welded S45, S46 | Stück | 105,75 |
| 1594817 | sheet metal for clamping S45, S46 | Stück | 6,25 |
| 1594820 | Label scalamobil S45 | Stück | 6,10 |
| 1594821 | Label scalamobi S46 | Stück | 6,10 |
| 1594834 | ECU for Handlebar Unit | Stück | 109,15 |
| 1594848 | Hand wheel for drive unit S45/S46 | Stück | 22,00 |
| 1594849 | Handle left hand side (emergency stop) S45, S46 | Stück | 207,10 |
| 1594851 | Handle right hand side complete (drive switch) S45, S46 | Stück | 207,10 |
| 1594852 | SoftTouch cushion S45/S46 | Stück | 31,90 |
| 1594876 | Handle complete S45 | Stück | 835,00 |
| 1594877 | Handle complete S46 | Stück | 835,00 |
| 1595590 | Cover with display | Stück | 155,35 |

scalacombi S46

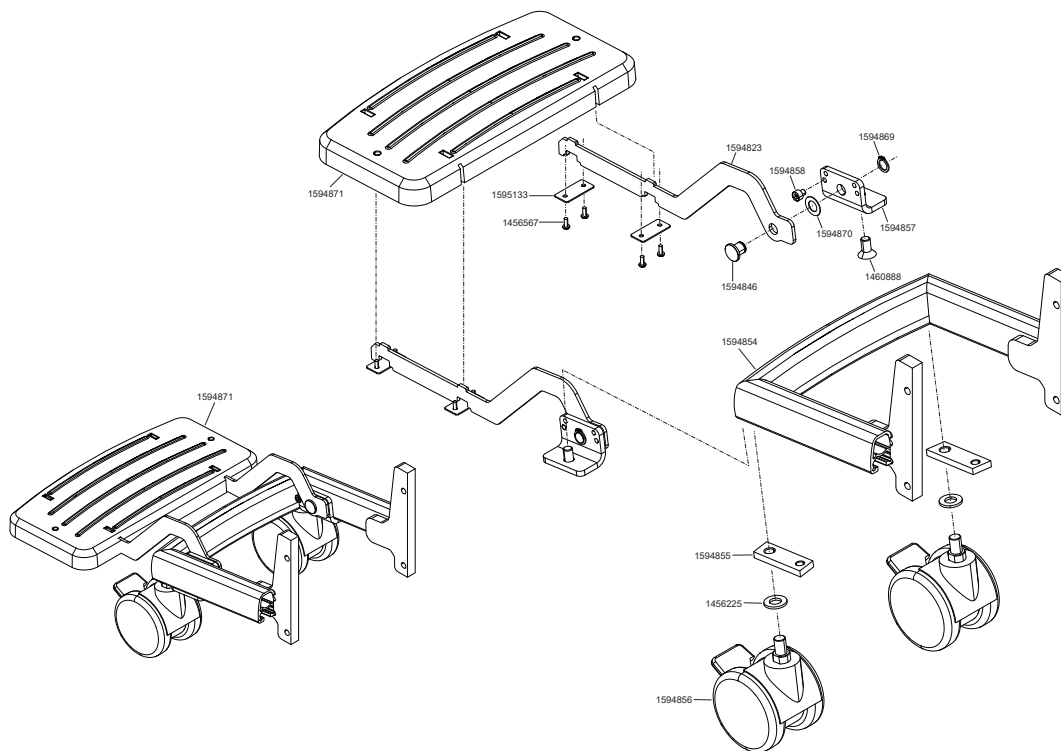
Seat unit



| Order number | Description | Qty | Net in Eur |
|--------------|--|-----|------------|
| 1456187 | Cylinder head screw DIN 912 - M 5 x 16 - 8.8 | pcs | 0,45 |
| 1459095 | Screw for width adjustment X6 | pcs | 0,25 |
| 1460350 | Cylinder head screw DIN 7984 - M 8 x 16 | pcs | 0,55 |
| 1467093 | Countersunk head screw M 4 x 10 | pcs | 0,60 |
| 1520346 | Clamp for backrest | pcs | 1,75 |
| 1594762 | Adjustment knob S45, S46 RAL 9005 | pcs | 5,90 |
| 1594825 | Combi screw M6x20 | pcs | 0,90 |
| 1594859 | holder for seat welded S46 | pcs | 129,45 |
| 1594861 | Axle for seat S46 | pcs | 14,15 |
| 1594862 | armrest pre-assembled right S46 | pcs | 105,35 |
| 1594863 | armrest pre-assembled left S46 | pcs | 105,35 |
| 1594864 | Seat plate S46 (padded) | pcs | 206,65 |
| 1594865 | Backrest S46 with cushion | pcs | 192,15 |
| 1594872 | Backrest S46 | pcs | 205,20 |
| 1594873 | Hand wheel seat unit with standard screw S46 | pcs | 11,60 |
| 1594891 | Seat unit mounted S46 | pcs | 400,55 |
| 1594992 | Clamp S46, Ø31,8 mm, black | pcs | 19,10 |
| 1595130 | pressure spring Ø20 DIN2093 | pcs | 3,55 |
| 1595132 | Stopper bracket Seat S46 | pcs | 17,55 |

scalacombi S46

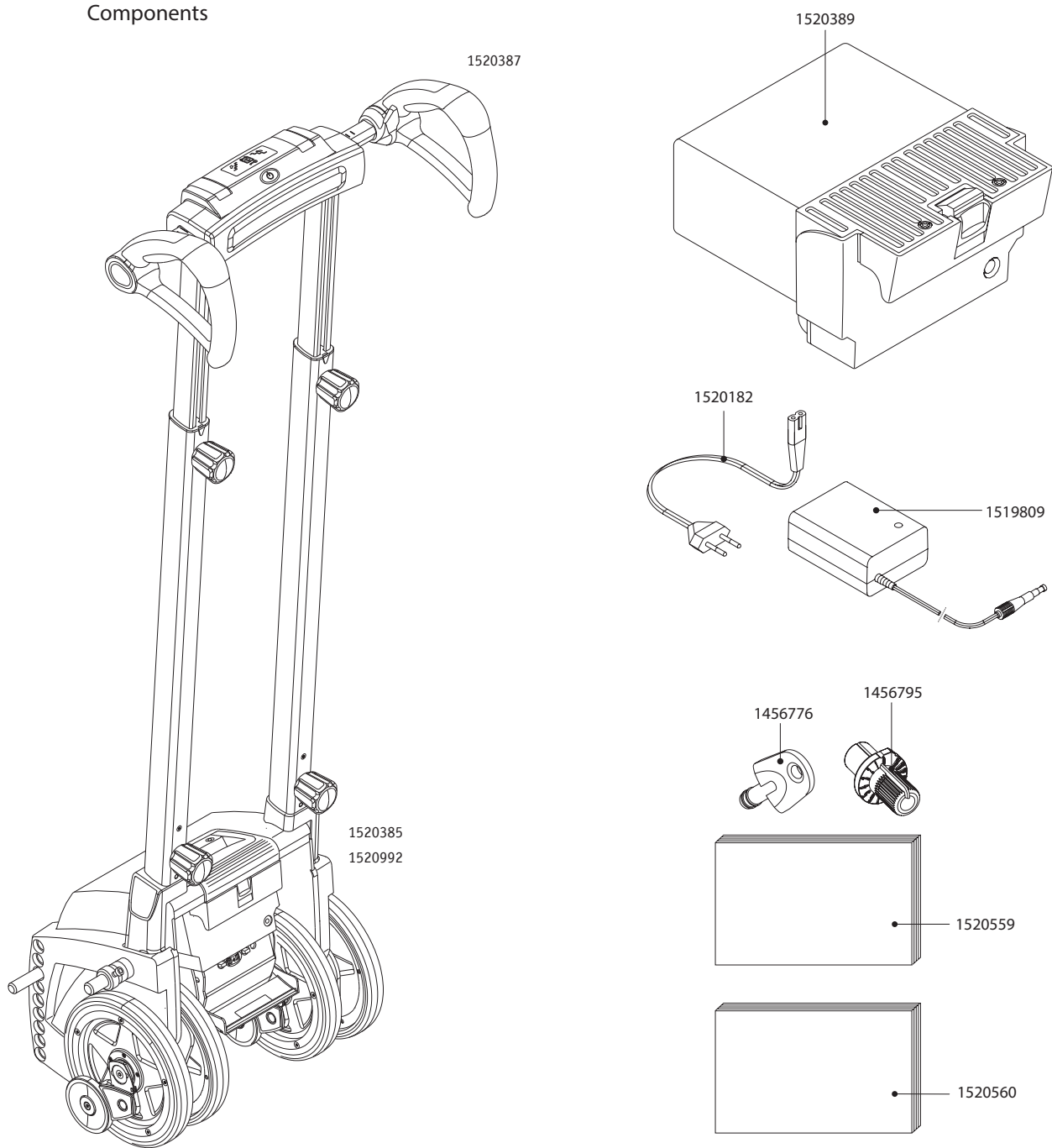
Footrest



| Order number | Description | Qty | Net in Eur |
|--------------|---|-----|------------|
| 1456225 | Washer DIN 125 - A10,5 | pcs | 0,15 |
| 1456567 | Screw Ejot PT K 30 x 8 WN 1451 | pcs | 0,15 |
| 1460888 | DIN 7991 - M 8 x 16 - 8.8 vz Torx | pcs | 1,50 |
| 1594823 | holder footrest S46 | pcs | 21,00 |
| 1594846 | Safety bolt with ring groove S46 | pcs | 8,15 |
| 1594854 | holding welding assembly S46 | pcs | 116,45 |
| 1594855 | slot nut S46 | pcs | 5,10 |
| 1594856 | castor wheel S46 | pcs | 40,00 |
| 1594857 | Angle for folding mechanism S46 | pcs | 14,35 |
| 1594858 | hexagon socket head cap screw ISO 4762 M5x5-8.8 | pcs | 0,65 |
| 1594869 | Locking ring DIN 471-10x1 vz | pcs | 0,35 |
| 1594870 | Thrust washer iglidur G GTM-1018-005 | pcs | 1,75 |
| 1594871 | Footrest complete S46 | pcs | 253,75 |
| 1595133 | Sheet metal bracket for footrest S46 | pcs | 1,55 |

scalamobil S35/S38

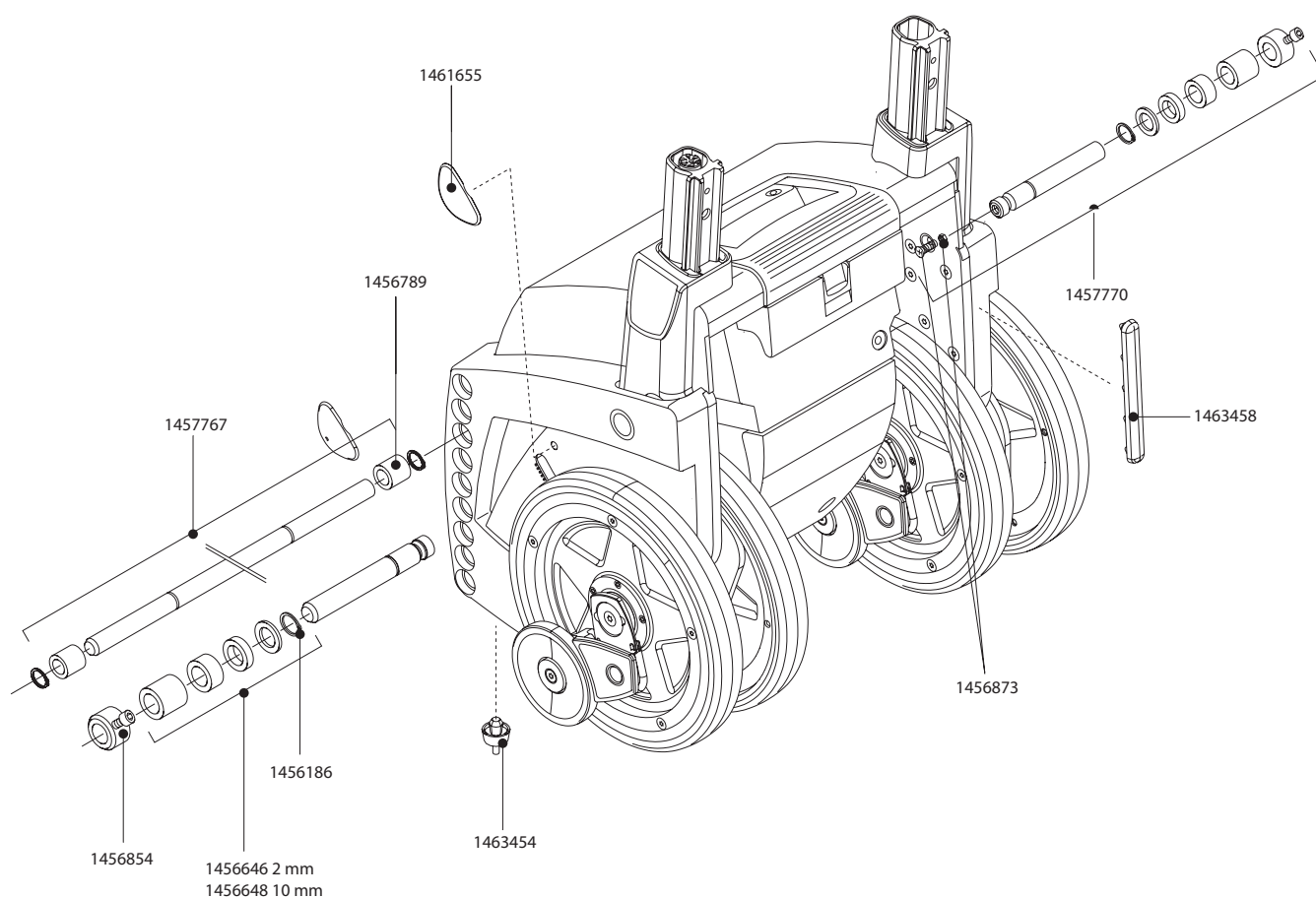
Components



| Order number | Description | Qty | Net in Eur |
|--------------|--|-----|------------|
| 1456776 | Immobiliser key V25/E3x/S35 grey | pcs | 13,60 |
| 1456795 | Programming key scalamobil/scalacombi | pcs | 2,45 |
| 1519809 | Charger 24V 1,0A with main cable EU | pcs | 120,35 |
| 1520182 | Mains cable EU for charger M25 | pcs | 25,65 |
| 1520385 | Drive unit scalamobil S35 | pcs | 5446,10 |
| 1520387 | Handle complete S35/S38 | pcs | 910,10 |
| 1520389 | Battery pack S35/S36/S38/S39 | pcs | 187,45 |
| 1520559 | Documentation Kit S35/S38 multilingual | pcs | 25,00 |
| 1520560 | Documentation Kit S35/S38 German | pcs | 15,00 |
| 1520992 | Drive unit scalamobil S38/S39 | pcs | 6699,60 |

scalamobil S35/S38

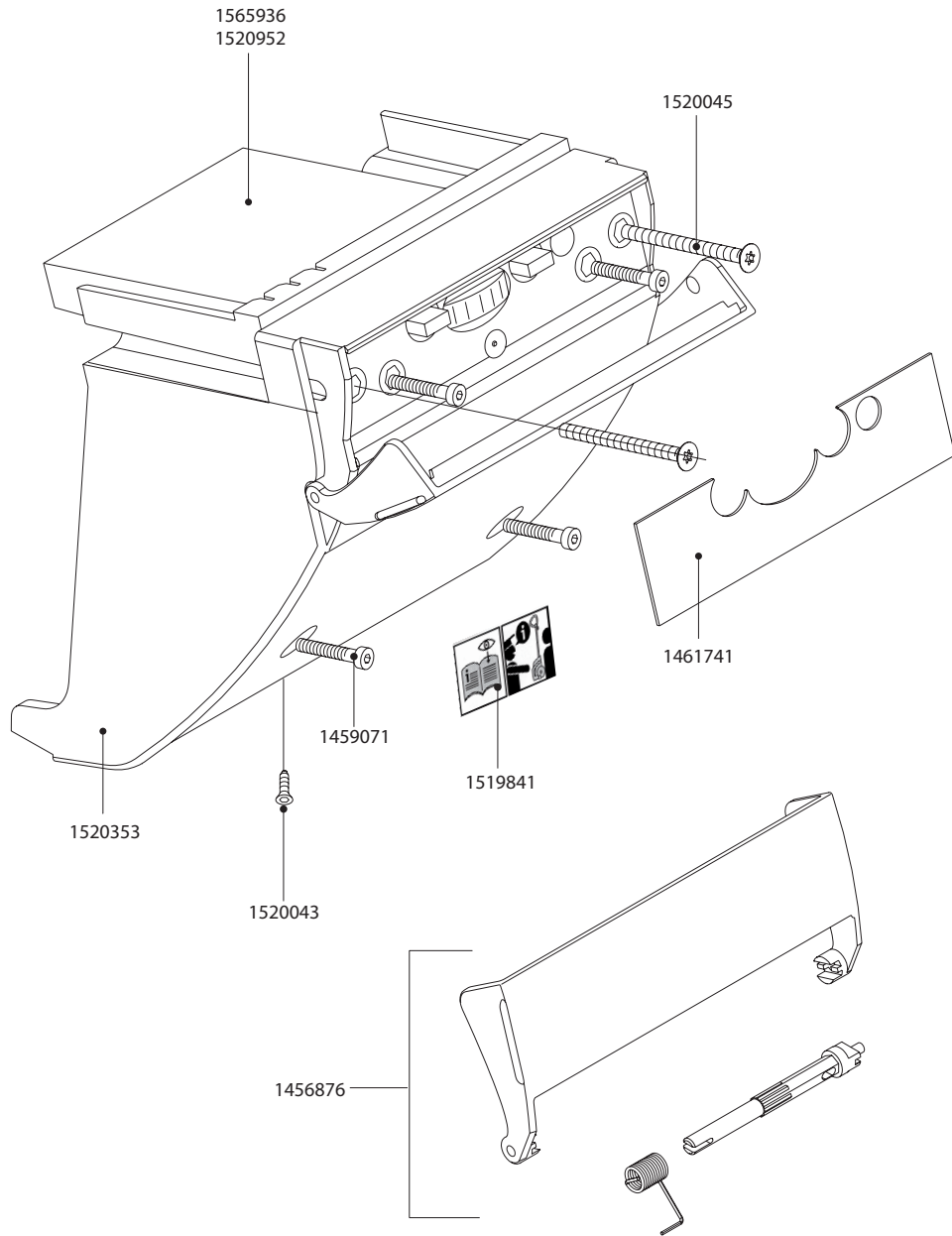
Drive unit



| Order number | Description | Qty | Net in Eur |
|--------------|---|-----|------------|
| 1456186 | Locking ring DIN 471 - 16 x 1 Fst | pcs | 0,15 |
| 1456646 | Spacer ring 2mm | pcs | 0,65 |
| 1456648 | Spacer ring 10mm | pcs | 0,65 |
| 1456789 | Distance socket scalamobil lower mounting | pcs | 1,80 |
| 1456854 | Set collar galvanized for scalamobil | pcs | 12,35 |
| 1456873 | Screws and bolts for mounting of upper bolts scalamobil (without bolts) | pcs | 1,90 |
| 1457767 | Lower bolt scalamobil (Dummy Code) | pcs | 22,85 |
| 1457770 | Upper bolts scalamobil (Dummy Code) | pcs | 32,65 |
| 1461655 | Side shell cover scalamobil S35 | pcs | 1,80 |
| 1463454 | Device feet scalamobil S35 | pcs | 3,85 |
| 1463458 | Rubber protector housing scalamobil | pcs | 4,90 |
| 1489247 | Adjusting ring set for scalamobil/viamobil | pcs | 16,95 |

scalamobil S35/S38

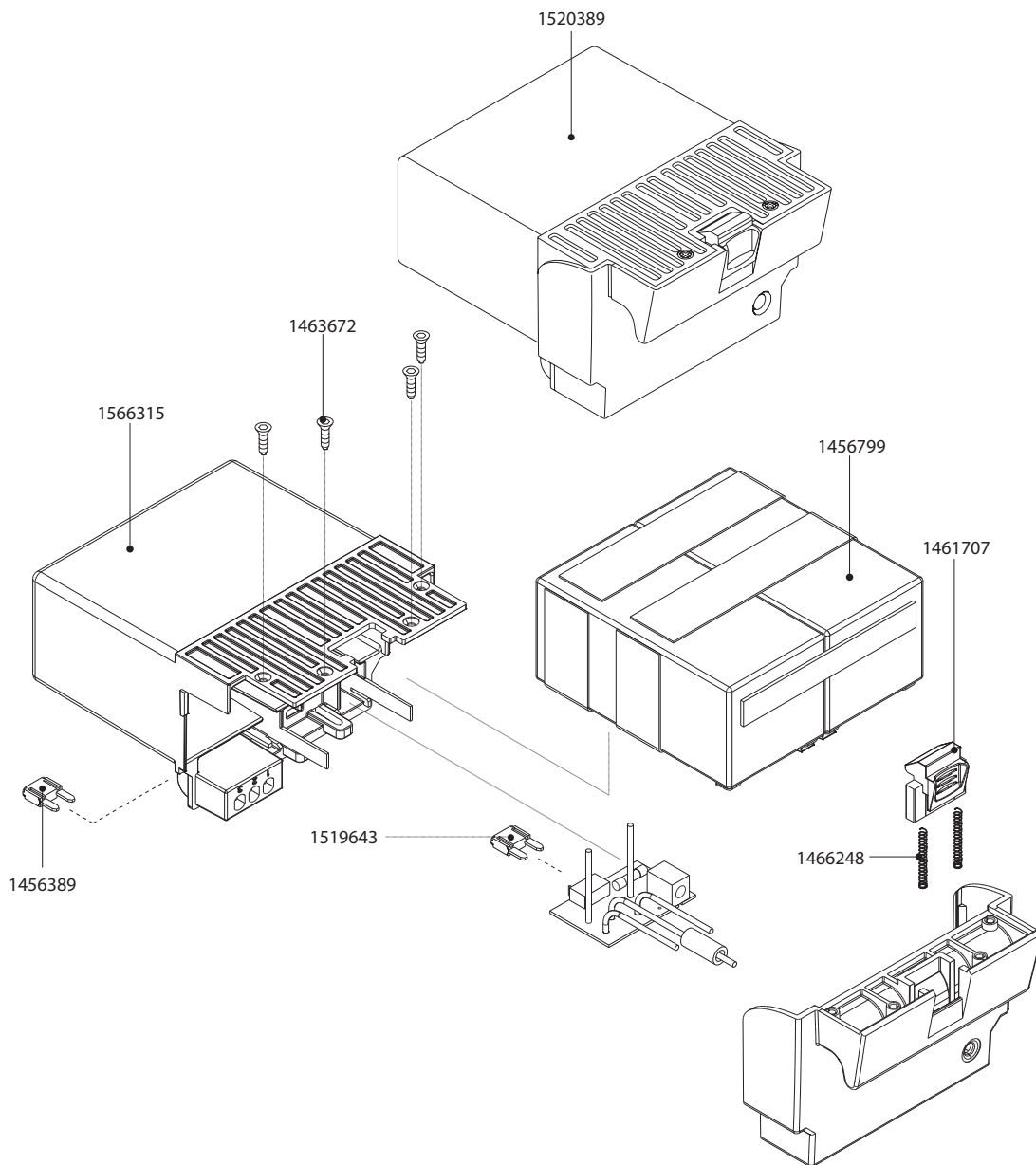
E-Box



| Order number | Description | Qty | Net in Eur |
|--------------|---|-----|------------|
| 1456876 | Cover for electronic box scalamobil S35 | pcs | 9,75 |
| 1459071 | Cylinder head screw DIN 912 - M 4 x 12 - 8.8 | pcs | 0,45 |
| 1461741 | Sticker „Operating cover“ scalamobil S35 | pcs | 2,60 |
| 1519841 | Label warning advice scalamobil | pcs | 1,45 |
| 1520043 | Ejot Easyboss 50 x 3,5 x 8 | pcs | 1,60 |
| 1520045 | Ejot Delta PT Screw 50 x 18-AZK | pcs | 0,30 |
| 1520353 | Housing E-Box S35/S36 | pcs | 20,65 |
| 1520952 | Circuit board scalamobil S38 IQ-Feature with bearing sensor | pcs | 495,15 |
| 1565936 | Control electronics S35 | pcs | 467,60 |

scalamobil S35/S38

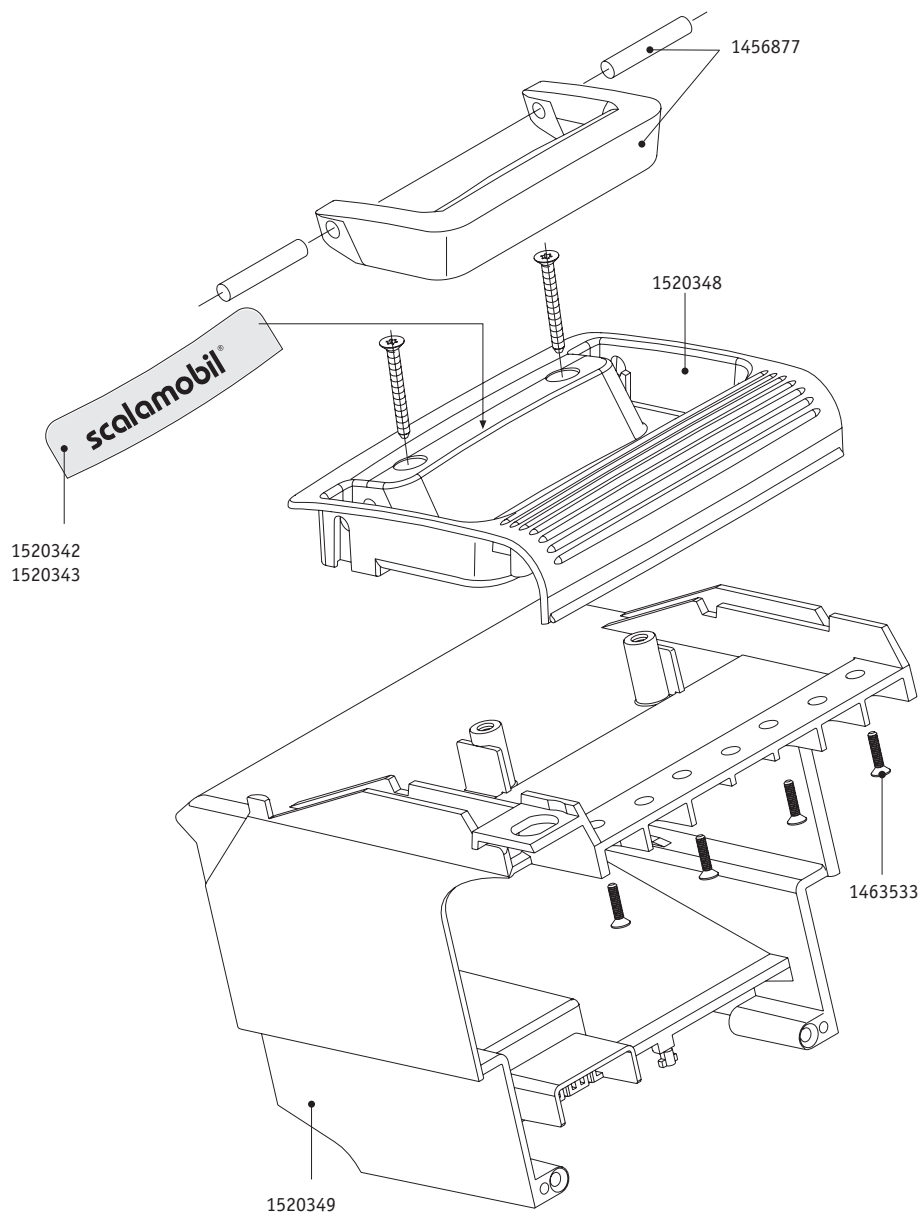
Battery



| Order number | Description | Qty | Net in Eur |
|--------------|--|-----|------------|
| 1456389 | Fuse 15 A | pcs | 1,85 |
| 1456799 | Batteries scalamobil complete | pcs | 127,65 |
| 1461707 | Releasing device battery scalamobil | pcs | 4,60 |
| 1466248 | Pressure spring VD-052G | pcs | 0,65 |
| 1519643 | Fuse 4A for circuit board of battery S35 | pcs | 1,90 |
| 1520389 | Battery pack S35/S36/S38/S39 | pcs | 187,45 |
| 1566315 | Housing battery pack for scalamobil S35 with circuit board | pcs | 108,70 |

scalamobil S35/S38

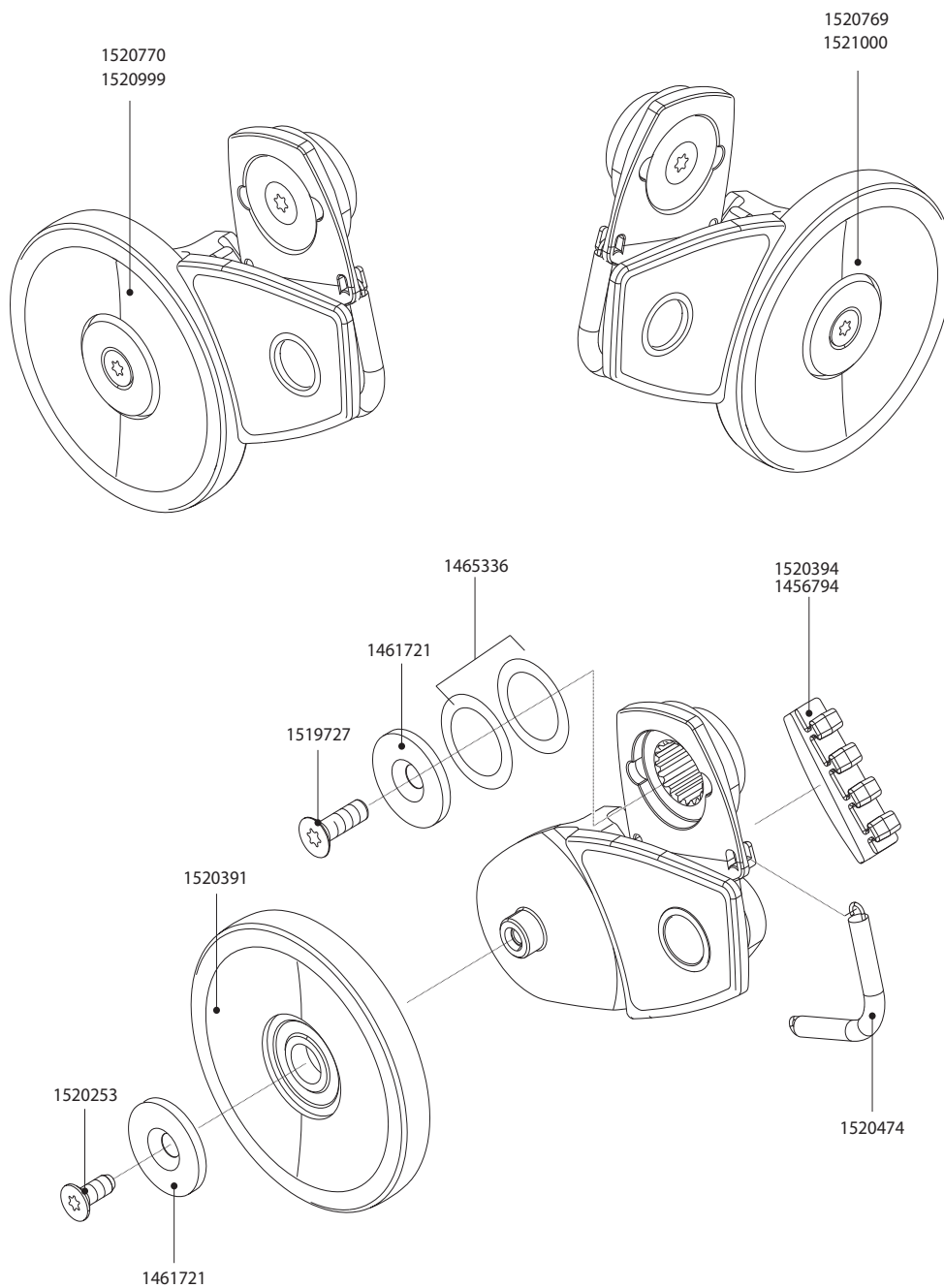
Carrying handle



| Order number | Description | Qty | Net in Eur |
|--------------|---|-----|------------|
| 1456877 | Carrying handle scalamobil | pcs | 7,90 |
| 1463533 | Screw Ejot PT K 40 x 16 WN 1451 | pcs | 0,15 |
| 1520342 | Sticker „scalamobil“ motor unit S35 | pcs | 1,65 |
| 1520343 | Sticker „scalacombi“ motor unit S36 | pcs | 1,60 |
| 1520348 | Adapter/Cover for carrying handle S35/S36 | pcs | 19,00 |
| 1520349 | Chute for battery pack S35/S36/S38/S39 | pcs | 23,90 |

scalamobil S35/S38

Brakes

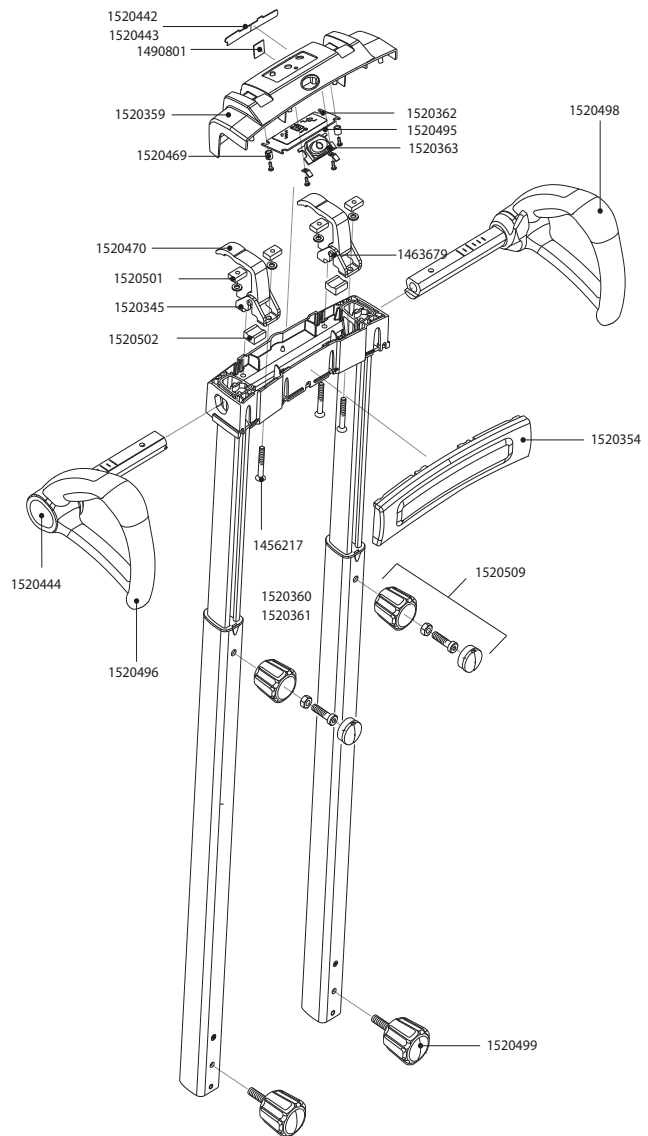
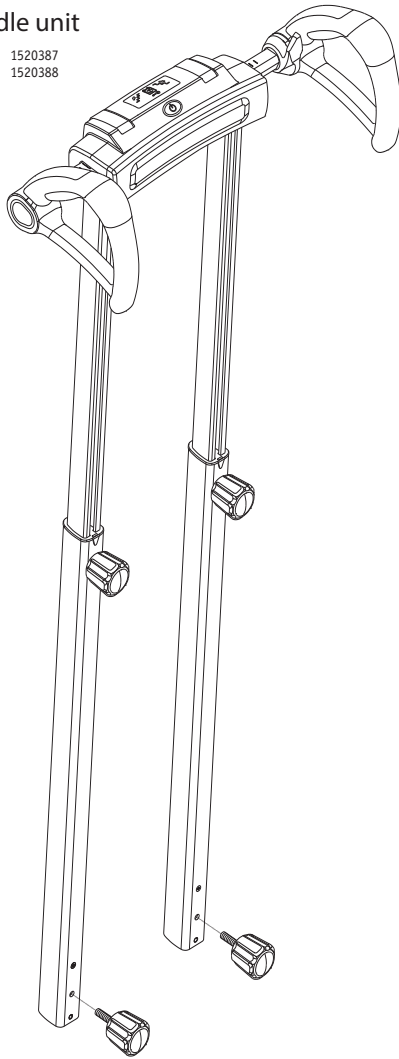


| Order number | Description | Qty | Net in Eur |
|--------------|---|-----|------------|
| 1461721 | Washer | pcs | 1,45 |
| 1465336 | Ball bearing compensation disc EPL13 | pcs | 0,30 |
| 1520253 | Ejot Delta PT-Screw WN 5454-45 x 12-A2K | pcs | 0,25 |
| 1520391 | Brake wheel S35/S36/S45/S46 | pcs | 12,70 |
| 1520394 | Brake lining S35/S36/S45/S46 | pcs | 13,90 |
| 1456794 | Brake lining scalamobil S30/S31, S34, S38/S39 | pcs | 17,40 |
| 1520474 | Tension Spring brake scalamobil S35/S45/S46 | pcs | 3,45 |
| 1520769 | Brake scalamobil S35/S36 right complete | pcs | 223,90 |
| 1520770 | brake scalamobil S35/S36 left complete | pcs | 223,90 |
| 1520999 | Brake scalamobil S38 left complete | pcs | 245,30 |
| 1521000 | Brake scalamobil S38 right complete | pcs | 245,30 |

scalamobil S35/S38

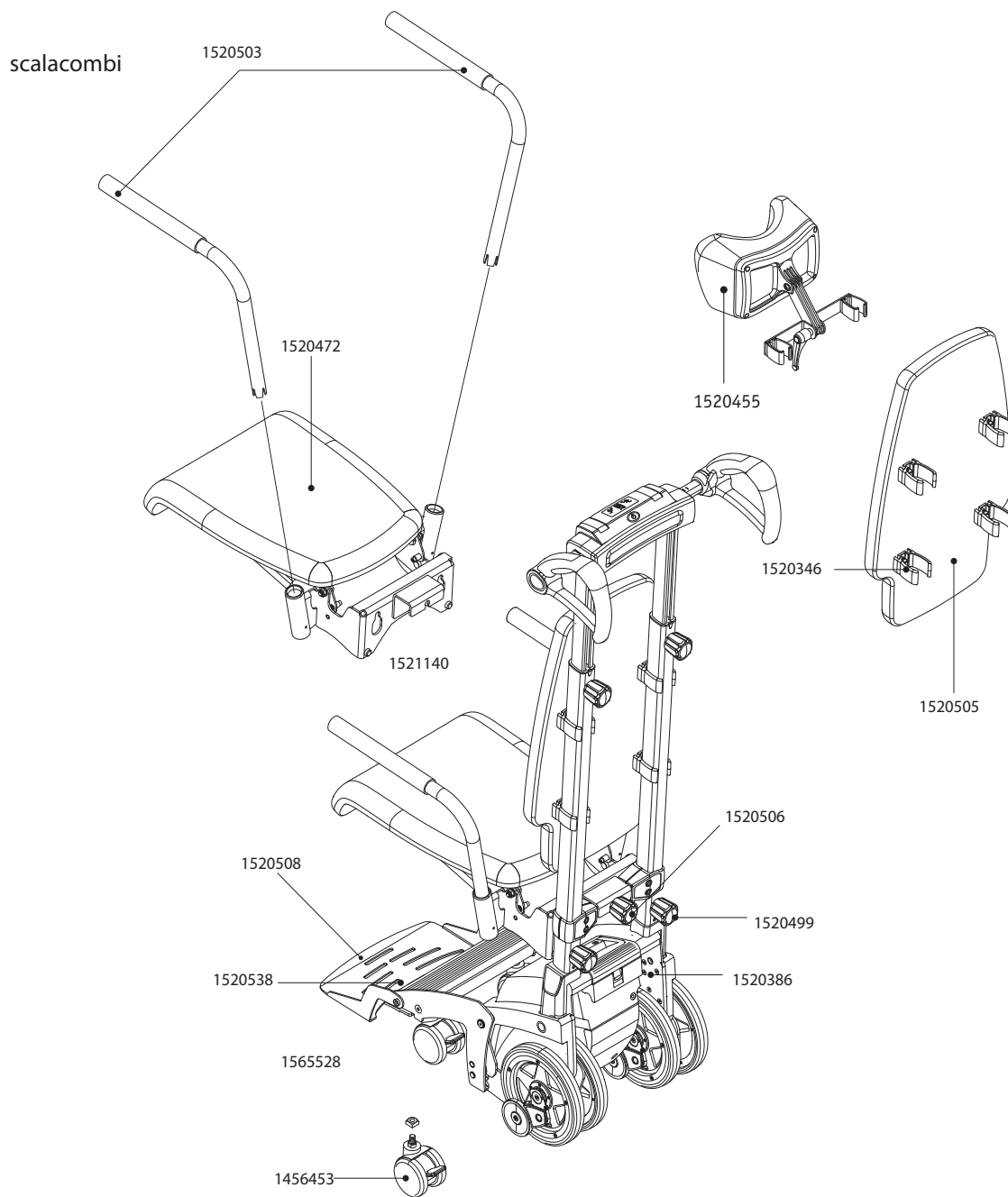
Handle unit

1520387
1520388



| Order number | Description | Qty | Net in Eur |
|--------------|--|-----|------------|
| 1456217 | Countersunk head screw DIN 7991 - M 6 x 45 - 8.8 | pcs | 0,55 |
| 1456567 | Screw Ejot PT K 30 x 8 WN 1451 | pcs | 0,15 |
| 1463679 | ISO 2338 - A - 6 M 6 x 30 - St | pcs | 0,45 |
| 1490801 | Alber Logo 17 x 17mm | pcs | 5,25 |
| 1520345 | Adapter for guidance of lever S35/S36 | pcs | 13,50 |
| 1520354 | SoftTouch cushion S35/S36 | pcs | 34,80 |
| 1520359 | Cover Bridge S35/S36 | pcs | 27,05 |
| 1520362 | Sticker Display S35/S36 | pcs | 5,90 |
| 1520363 | Silicone switch on/off S35/S36 | pcs | 4,50 |
| 1520387 | Handle complete S35/S38 | pcs | 910,10 |
| 1520388 | Handle complete S36/S39 | pcs | 910,10 |
| 1520442 | label for handle S36 | pcs | 4,95 |
| 1520443 | Sticker „scalamobil“ for handle S35 | pcs | 4,95 |
| 1520444 | Cover | pcs | 7,00 |
| 1520469 | Distance bush | pcs | 1,85 |
| 1520470 | Clamp lever for lateral adjustment S35/S36 | pcs | 24,85 |
| 1520495 | Circuit board Display S35/S36 | pcs | 65,60 |
| 1520496 | Handle S35 left hand side with selector switch for drive direction up/down | pcs | 225,70 |
| 1520498 | Handle S35 right hand side with drive switch | pcs | 220,20 |
| 1520499 | Hand wheel S35 connection motor unit | pcs | 23,20 |
| 1520501 | Nut | pcs | 2,85 |
| 1520502 | Guidance for lever of lateral adjustment S35 | pcs | 7,65 |
| 1520509 | Hand wheel for heightadjustment S35 (kit) | pcs | 23,85 |
| 1520360 | guideway dip tube | pcs | 6,50 |
| 1520361 | cover standpipe | pcs | 1,85 |
| 1520464 | label direction | pcs | 2,05 |

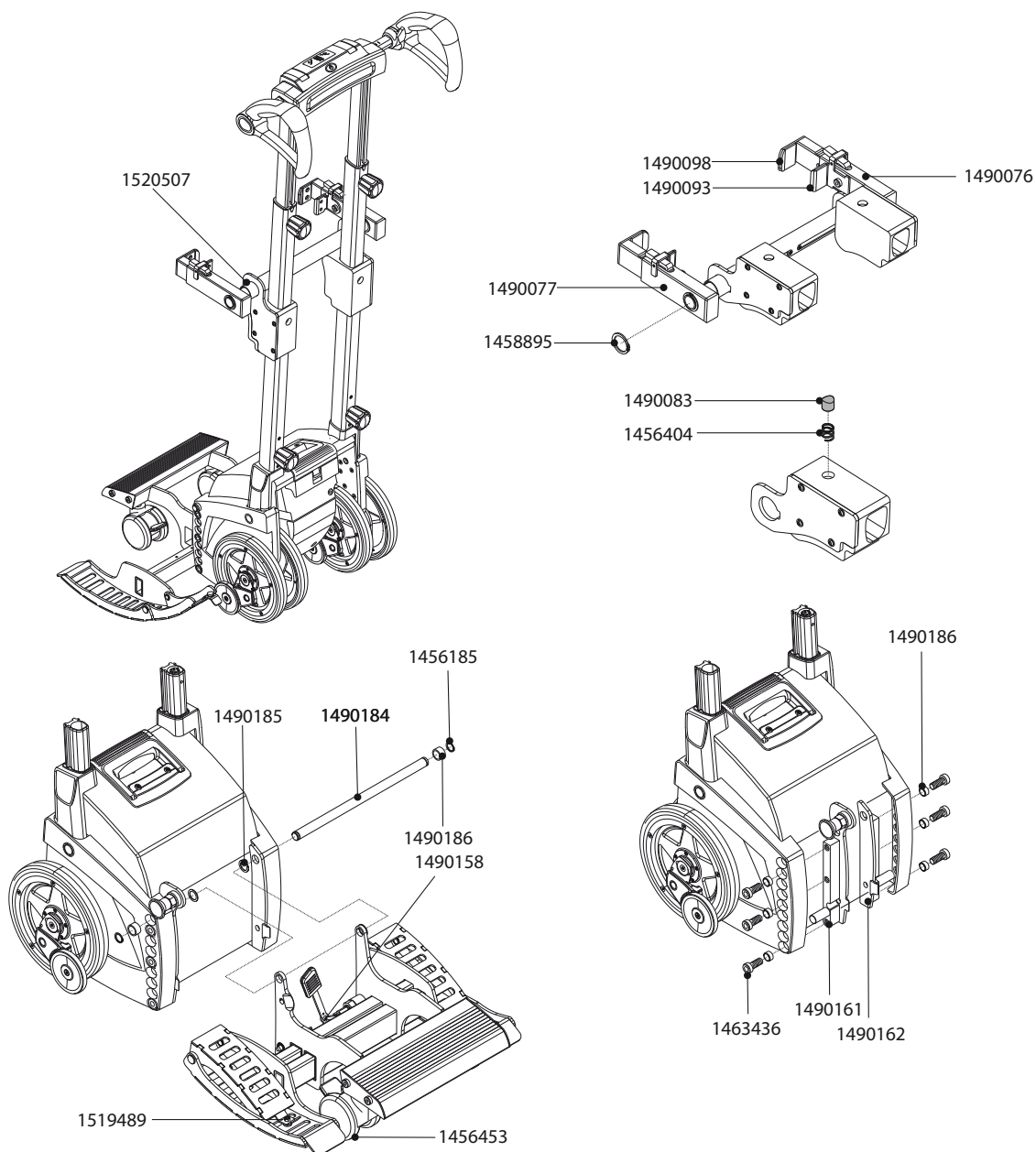
scalacombi S36/S39



| Order number | Description | Qty | Net in Eur |
|--------------|---|-----|------------|
| 1456453 | Steering wheels scalacombi/scalaport | pcs | 35,75 |
| 1520346 | Clamp for backrest | pcs | 1,75 |
| 1520386 | Drive unit scalacombi S36 | pcs | 6928,40 |
| 1520455 | Headrest S35/S36 | pcs | 169,10 |
| 1520472 | Seat plate S36 (padded) | pcs | 211,20 |
| 1520499 | Hand wheel S35 connection motor unit | pcs | 23,20 |
| 1520503 | Arm rest S36 | pcs | 32,75 |
| 1520505 | Backrest for scalacombi S36 | pcs | 231,40 |
| 1520506 | Hand wheel seat unit scalacombi S36 | pcs | 17,20 |
| 1520508 | Footrest S36 | pcs | 76,95 |
| 1520538 | Bottom part, assembled | pcs | 182,90 |
| 1564990 | Chest shoulder belt scalacombi S36/S39, consisting of 2 automatic belt retractors and | pcs | 320,00 |
| 1565509 | Lap Belt (Automatic) for scalacombi S36 | pcs | 140,00 |
| 1565528 | Footrest scalacombi S36 complete (replacement) | pcs | 242,00 |
| 1566469 | Seat Unit scalacombi S36 | pcs | 377,20 |
| 1521140 | Seating unit holder | pcs | 176,85 |
| 1565528 | Footrest scalacombi S36 complete (replacement) | pcs | 242,00 |

scalaport X7

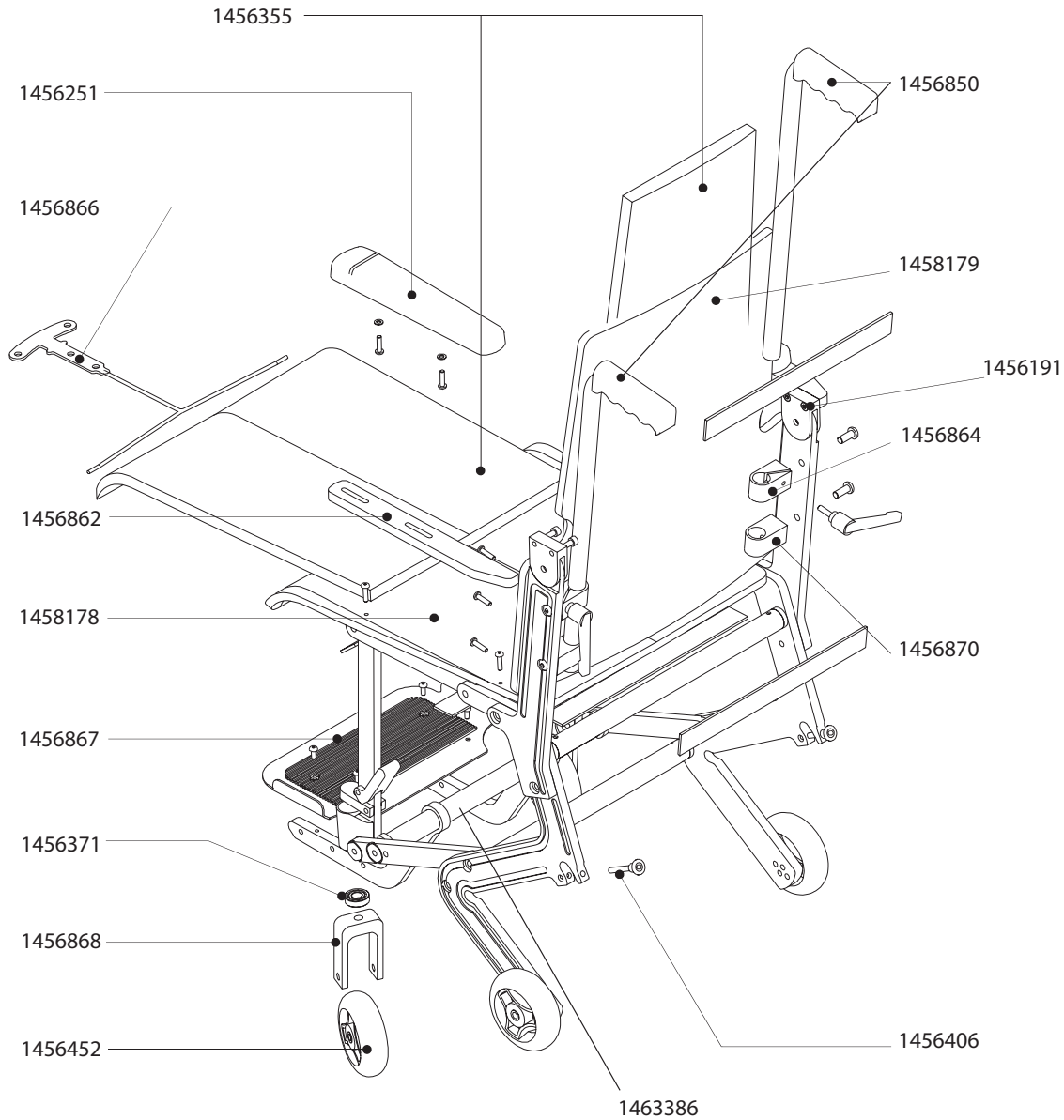
scalaport X7



| Order number | Description | Qty | Net in Eur |
|--------------|--|-----|------------|
| 1456185 | Locking ring 14 x 1 | pcs | 0,15 |
| 1456404 | Pressure spring for adjustment knob | pcs | 1,45 |
| 1456453 | Steering wheels scalacombi/scalaport | pcs | 35,75 |
| 1458895 | Locking ring 25 x 1,2 | pcs | 0,15 |
| 1463436 | Cylinder head screw M 10 x 25 - 8.8 | pcs | 0,90 |
| 1490076 | Clamping mechanism wheelchair frame right side | pcs | 81,50 |
| 1490077 | Clamping mechanism wheelchair frame left side | pcs | 81,50 |
| 1490083 | Brake pad X7 | pcs | 4,20 |
| 1490093 | Rubber pad X7 small | pcs | 3,65 |
| 1490098 | Rubber pad X7 large | pcs | 3,65 |
| 1490158 | Locking mechanism lower part X7 | pcs | 30,00 |
| 1490161 | Adaptation Bracket X7 right for S30 incl. snatch | pcs | 50,05 |
| 1490162 | Adaptation Bracket X7 left for S30 | pcs | 41,65 |
| 1490184 | Rod X7 | pcs | 18,30 |
| 1490186 | Spacer X7 | pcs | 4,75 |
| 1519489 | Magnet X7 | pcs | 8,90 |
| 1520507 | Clamping mechanism X7 for S35 | pcs | 399,60 |

scalachair X3

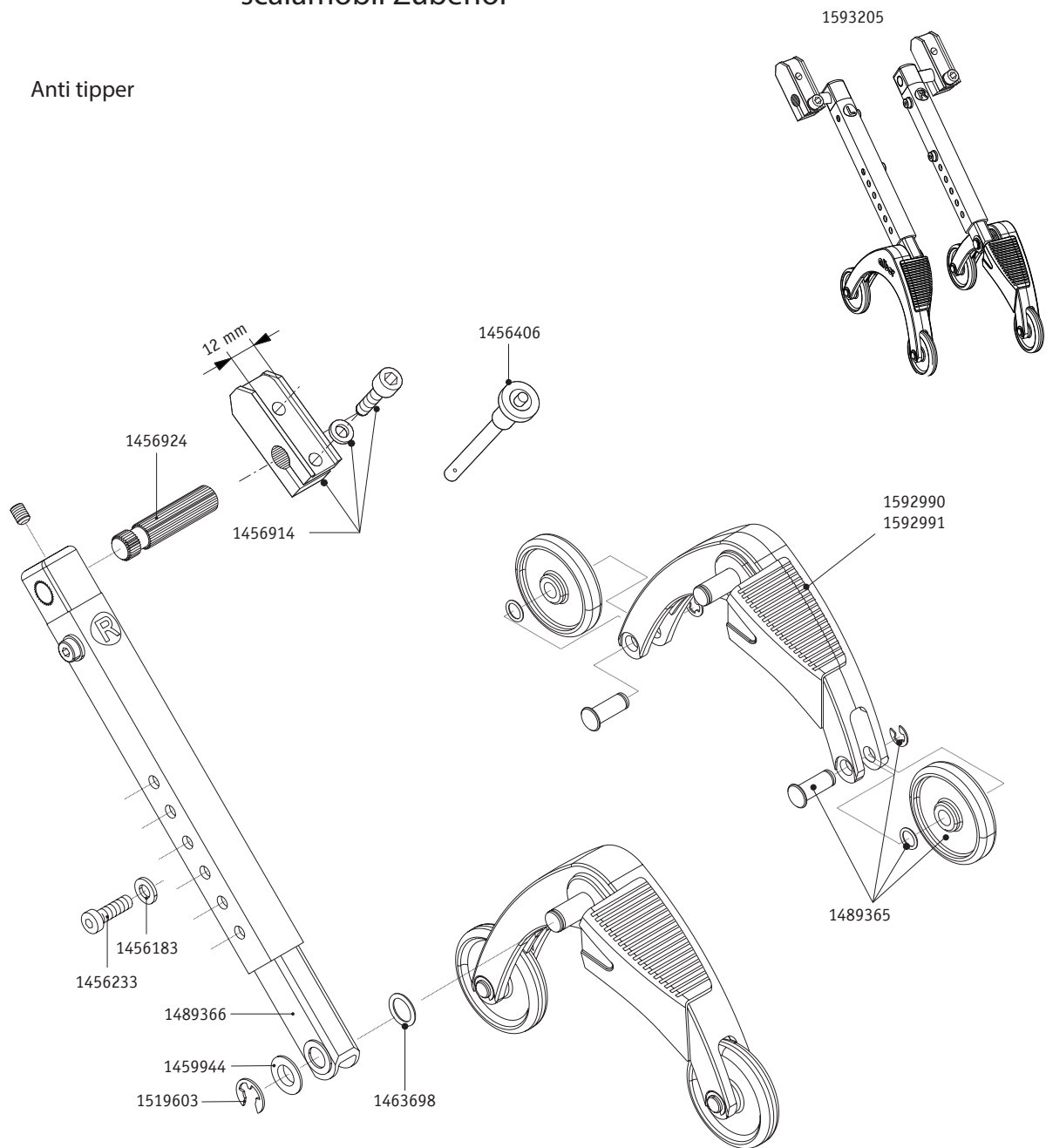
Components



| Order number | Description | Qty | Net in Eur |
|--------------|--|-----|------------|
| 1456191 | Cylinder head screw DIN 912 - M 6 x 20 | pcs | 0,15 |
| 1456251 | Armrest for scalachair X3 | pcs | 82,50 |
| 1456355 | Cushion seat and back for scalachair X3 | pcs | 263,80 |
| 1456371 | Ball bearing 28 x 12 x 8mm | pcs | 11,50 |
| 1456406 | Quickpin quick release bolt | pcs | 25,95 |
| 1456452 | Wheel for scalachair X3 | pcs | 45,20 |
| 1456850 | Pair of push handles for scalachair X3 left and right | pcs | 110,00 |
| 1456862 | Armrest for scalachair X3 left and right | pcs | 114,70 |
| 1456864 | Holding device for handles upper part scalachair X3 | pcs | 100,10 |
| 1456866 | Release lever for scalachair X3 | pcs | 394,70 |
| 1456867 | Footrest for scalachair X3 with anti-slip cover pad | pcs | 67,20 |
| 1456868 | Steering linkage scalachair X3 | pcs | 103,85 |
| 1456870 | Holding device for handles lower part scalachair X3 | pcs | 93,90 |
| 1458178 | Seat for scalachair X3 | pcs | 138,25 |
| 1458179 | Backrest for scalachair X3 grey without cushion RAL 7040 | pcs | 138,25 |
| 1463386 | Footrest fixation for scalachair X3 | pcs | 517,90 |
| 1467344 | Retrofitting set for climbing enhancement | pcs | 325,00 |

scalamobil Zubehör

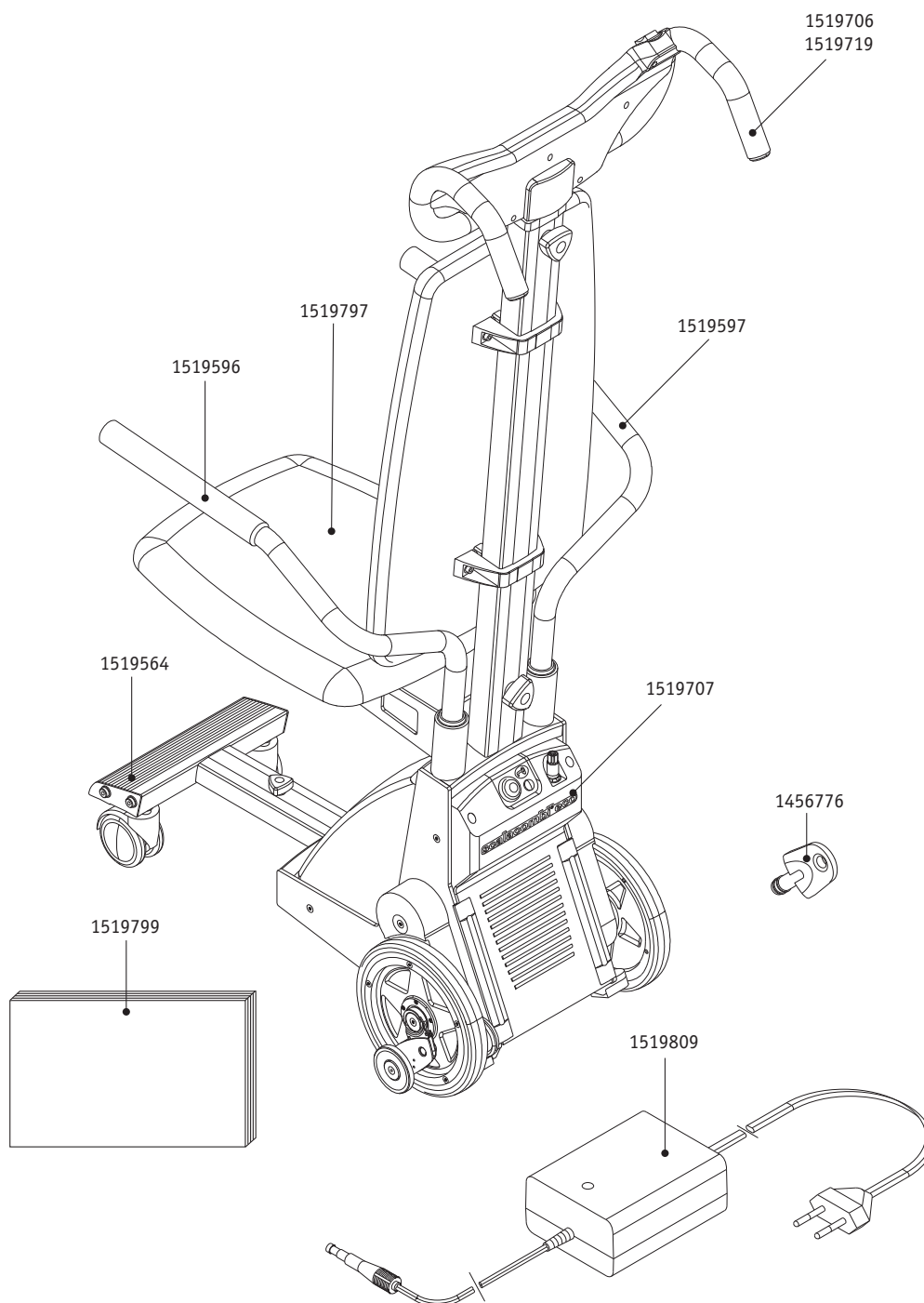
Anti tipper



| Order number | Description | Qty | Net in Eur |
|--------------|---|-----|------------|
| 1456183 | Washer DIN 125 - A 6,4 | pcs | 0,05 |
| 1456233 | Cylinder head screw M 6 x 20 | pcs | 0,25 |
| 1456406 | Quickpin quick release bolt | pcs | 25,95 |
| 1456914 | Fixation set 2 x 12mm for anti-tippers | pcs | 56,00 |
| 1456924 | Toothed bar for anti-tippers e-fix | pcs | 17,50 |
| 1459944 | Washer DIN 988 - 10 x 16 x 1 | pcs | 0,05 |
| 1463698 | Fitting disk DIN 988 - 10 x 16 x 0,3 - St | pcs | 0,20 |
| 1467846 | Support angle left for anti-tippers | pcs | 23,15 |
| 1489365 | Wheel for anti-tippers complete | pcs | 2,90 |
| 1489366 | Slide rod anti-tippers mounted | pcs | 25,00 |
| 1519603 | Securing disk DIN 6799-Gr.8 vz | pcs | 0,05 |

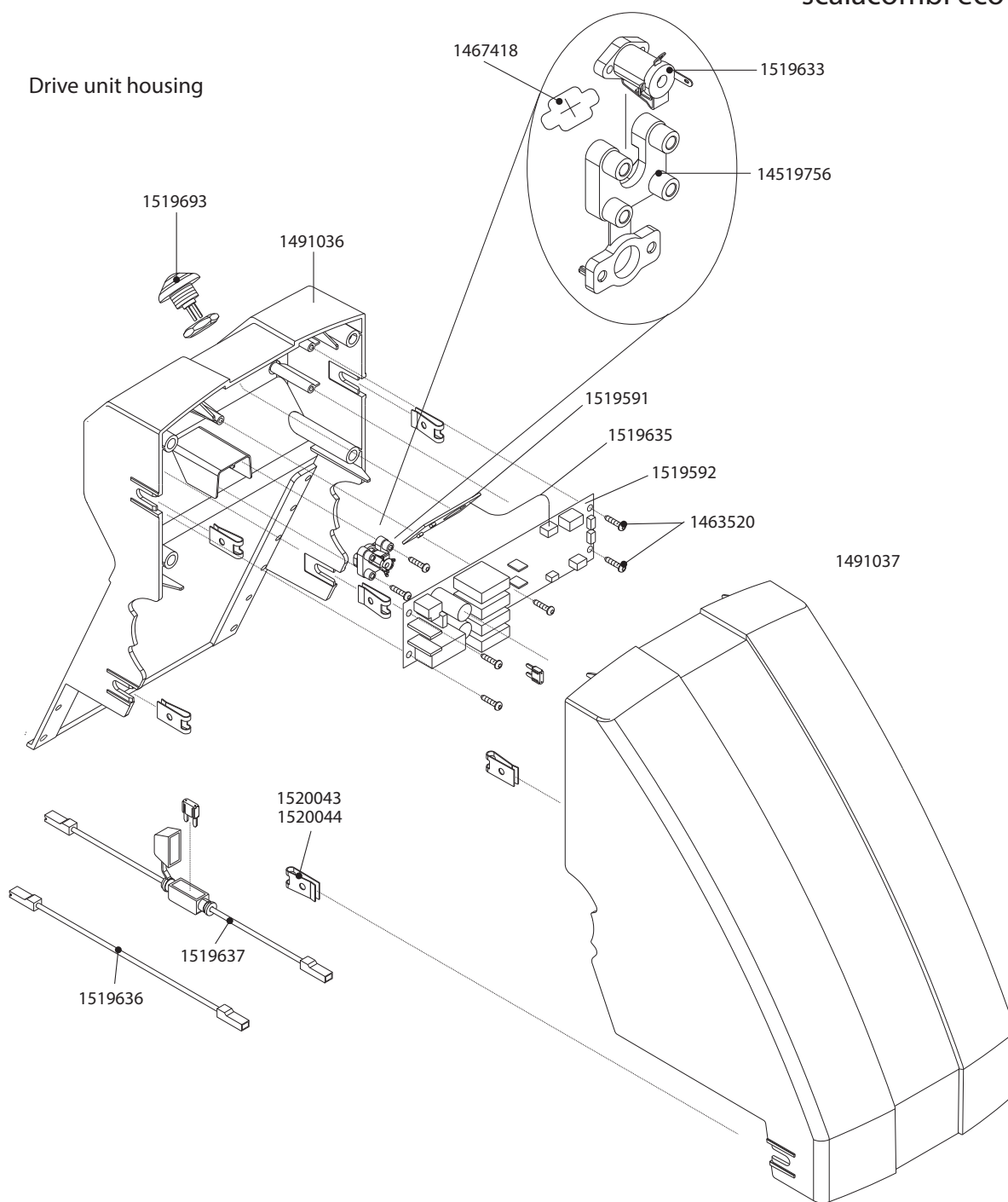
scalacombi eco S34

Components



| Order number | Description | Qty | Net in Eur |
|--------------|-------------------------------------|-----|------------|
| 1456776 | Immobiliser key V25/E3x/S35 grey | pcs | 13,60 |
| 1519564 | Footrest S34 | pcs | 359,35 |
| 1519596 | Arm rest left S34 | pcs | 59,85 |
| 1519597 | Arm rest right S34 | pcs | 59,85 |
| 1519706 | Handlebar S34 complete | pcs | 568,65 |
| 1519719 | Handle bar S34 without backrest | pcs | 333,95 |
| 1519797 | Seat unit S34 | pcs | 423,15 |
| 1519799 | Documentation Kit S34 multilingual | pcs | 31,10 |
| 1519809 | Charger 24V 1,0A with main cable EU | pcs | 120,35 |

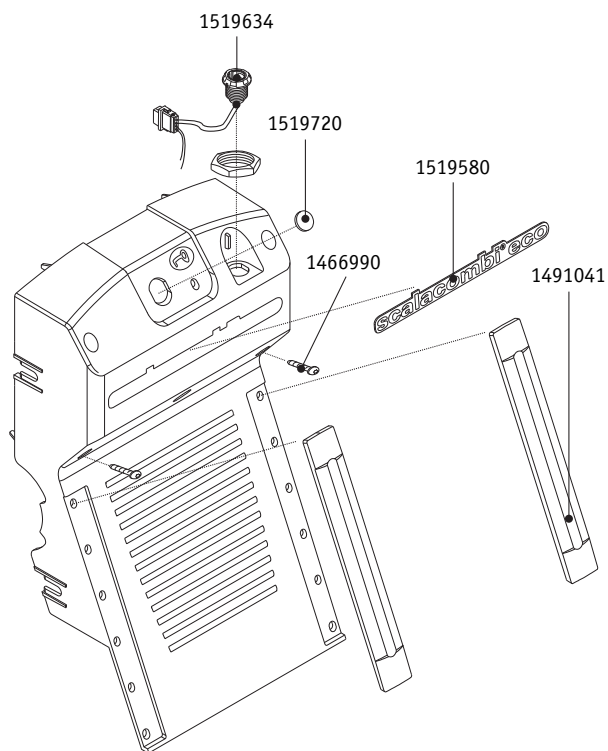
scalacombi eco S34



| Order number | Description | Qty | Net in Eur |
|--------------|--------------------------------|-----|------------|
| 1463520 | Screw Ejot PT K 30 x 14 WN | pcs | 0,15 |
| 1467418 | Membrane e-fix E25/E26/E34 | pcs | 7,25 |
| 1491037 | Front housing motor unit S34 | pcs | 135,75 |
| 1519591 | LED of immobiliser | pcs | 27,85 |
| 1519592 | Main circuit board S34 | pcs | 407,15 |
| 1519633 | Charging socket with cable S34 | pcs | 18,40 |
| 1519635 | Connector S34 | pcs | 19,30 |
| 1519636 | Battery cable (negative pole) | pcs | 6,95 |
| 1519637 | Battery cable (positive pole) | pcs | 19,95 |
| 1519693 | On/Off switch S34 | pcs | 35,95 |
| 1519756 | Holder for charging socket | pcs | 1,75 |
| 1520043 | Ejot Easyboss 50 x 3,5 x 8 | pcs | 1,60 |
| 1520044 | Ejot Easyboss 50 x 2,5 x 11 | pcs | 2,40 |
| 1491036 | Cover | pcs | 43,25 |

scalacombi eco S34

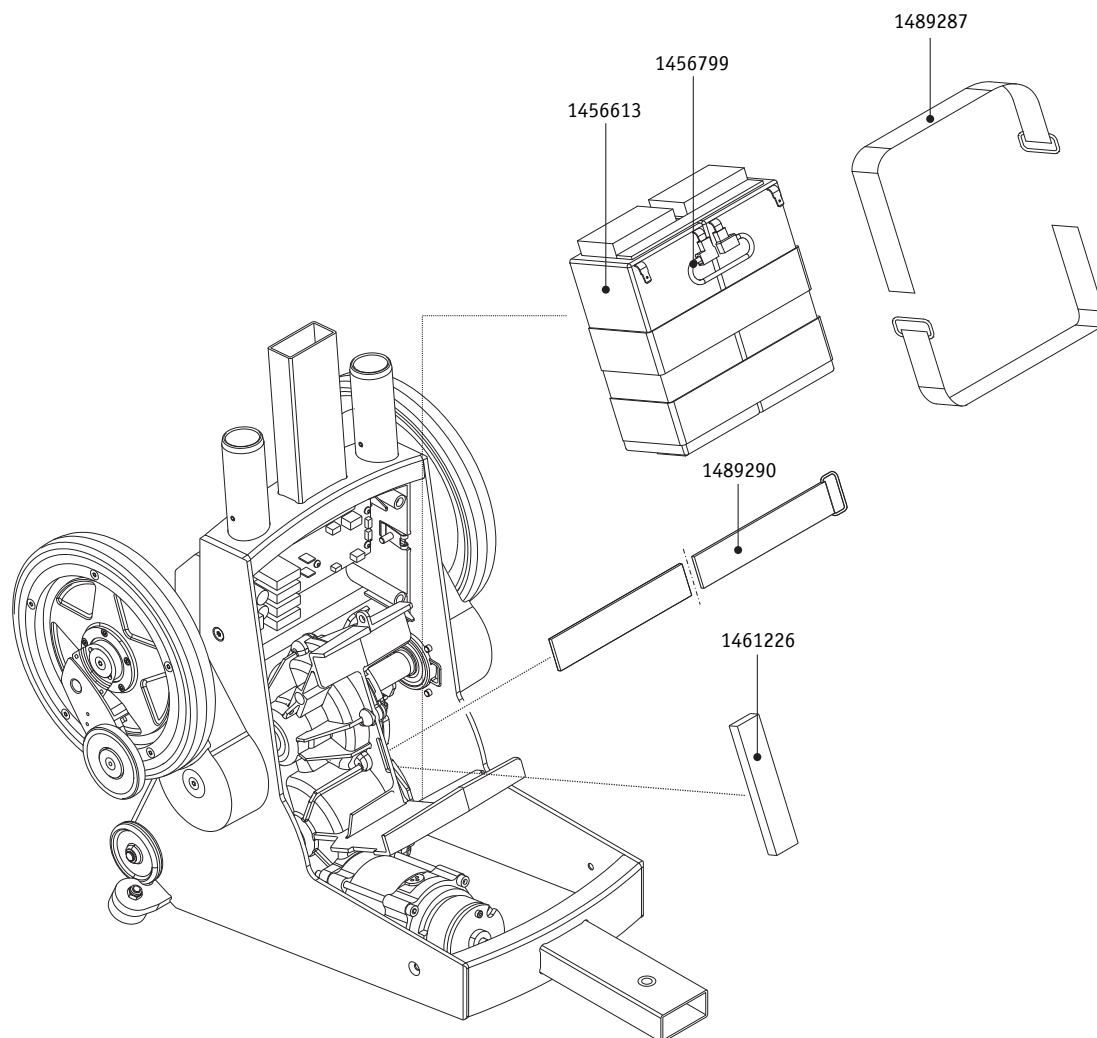
Drive unit housing



| Order number | Description | Qty | Net in Eur |
|--------------|--|-----|------------|
| 1466990 | Screw Remform 4 x 30 WN | pcs | 0,15 |
| 1491041 | Rubber protector for housing S34 | pcs | 11,85 |
| 1519580 | Label „scalacombi eco“ | pcs | 13,70 |
| 1519634 | Connecting cable circuit board S34 | pcs | 39,95 |
| 1519720 | Light conductor status bar display S34 | pcs | 13,70 |

scalacombi eco S34

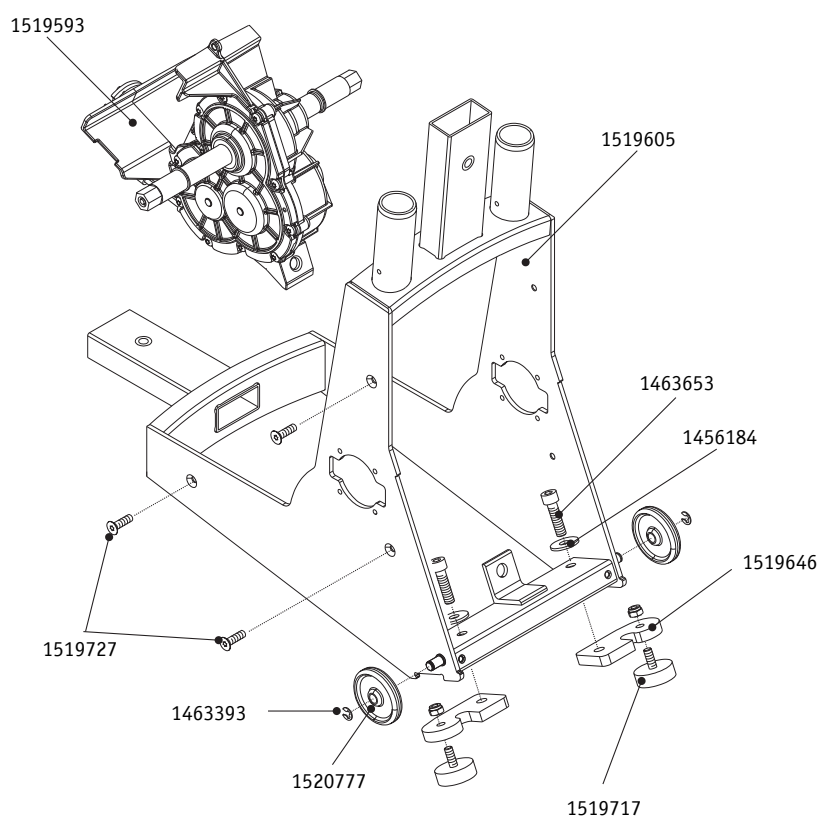
Drive unit battery



| Order number | Description | Qty | Net in Eur |
|--------------|------------------------------------|-----|------------|
| 1456613 | Foamstopper small | pcs | 0,20 |
| 1456799 | Batteries scalamobil complete | pcs | 127,65 |
| 1461226 | Rubber pad for battery S34 | pcs | 2,05 |
| 1489287 | Hook and Loop Fastener 350mm black | pcs | 4,60 |
| 1489290 | Hook and Loop Fastener 500mm black | pcs | 4,60 |

scalacombi eco S34

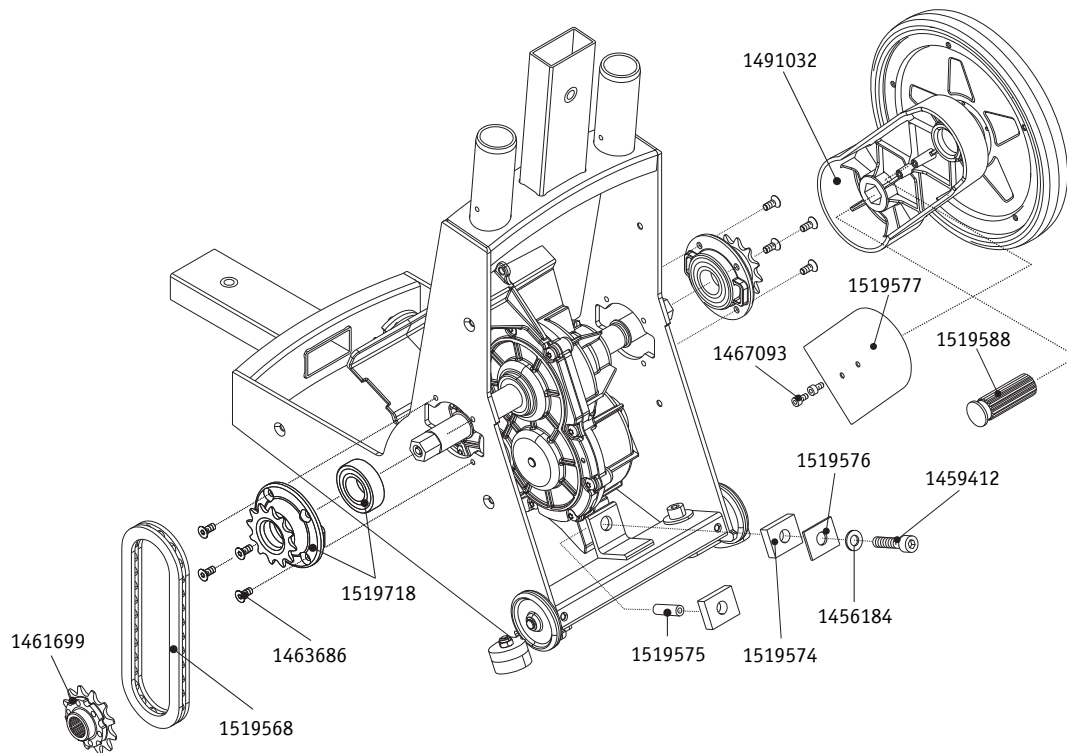
Drive unit gear box



| Order number | Description | Qty | Net in Eur |
|--------------|--|-----|------------|
| 1456184 | Washer DIN 125 | pcs | 0,05 |
| 1463393 | Securing disk DIN 6799 | pcs | 0,55 |
| 1463653 | Cylinder head screw DIN 912 - M 8 x 25 | pcs | 1,20 |
| 1519605 | Frame S34 | pcs | 630,85 |
| 1519646 | Punch climbing mechanism S34 | pcs | 24,10 |
| 1519717 | Rubber pad for punch S34 | pcs | 13,70 |
| 1591884 | Motor unit S34 | pcs | 875,95 |
| 1520777 | Wheel S34 | pcs | 3,70 |

scalacombi eco S34

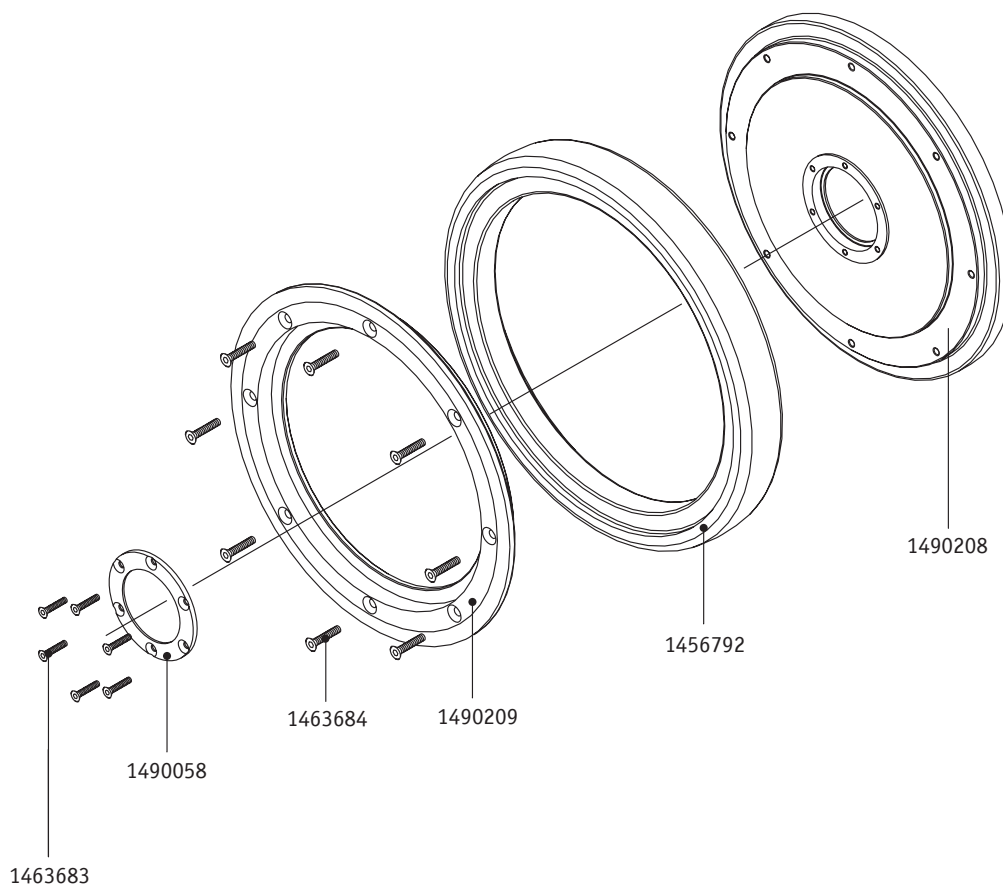
Drive unit spare parts



| Order number | Description | Qty | Net in Eur |
|--------------|---|-----|------------|
| 1456184 | Washer DIN 125 | pcs | 0,05 |
| 1459412 | Cylinder head screw DIN 912 - M 8 x 35 | pcs | 0,35 |
| 1461699 | Toothed wheel scalamobil | pcs | 15,55 |
| 1463686 | Torx screw DIN 7991 - M 5 x 12 | pcs | 0,20 |
| 1467093 | Countersunk head screw M 4 x 10 | pcs | 0,60 |
| 1491032 | Excenter S34 | pcs | 105,35 |
| 1519568 | Chain S34 (30 elements) | pcs | 24,10 |
| 1519574 | Rubber pad for bracket of motor unit S34 | pcs | 5,45 |
| 1519575 | Bush for bracket of motor unit S34 | pcs | 4,15 |
| 1519576 | Blank sheet for bracket of motor unit S34 | pcs | 9,60 |
| 1519577 | Cover for Excenter S34 | pcs | 21,45 |
| 1519588 | Brake shaft S34 | pcs | 28,75 |
| 1519718 | Bearing | pcs | 19,95 |

scalacombi eco S34

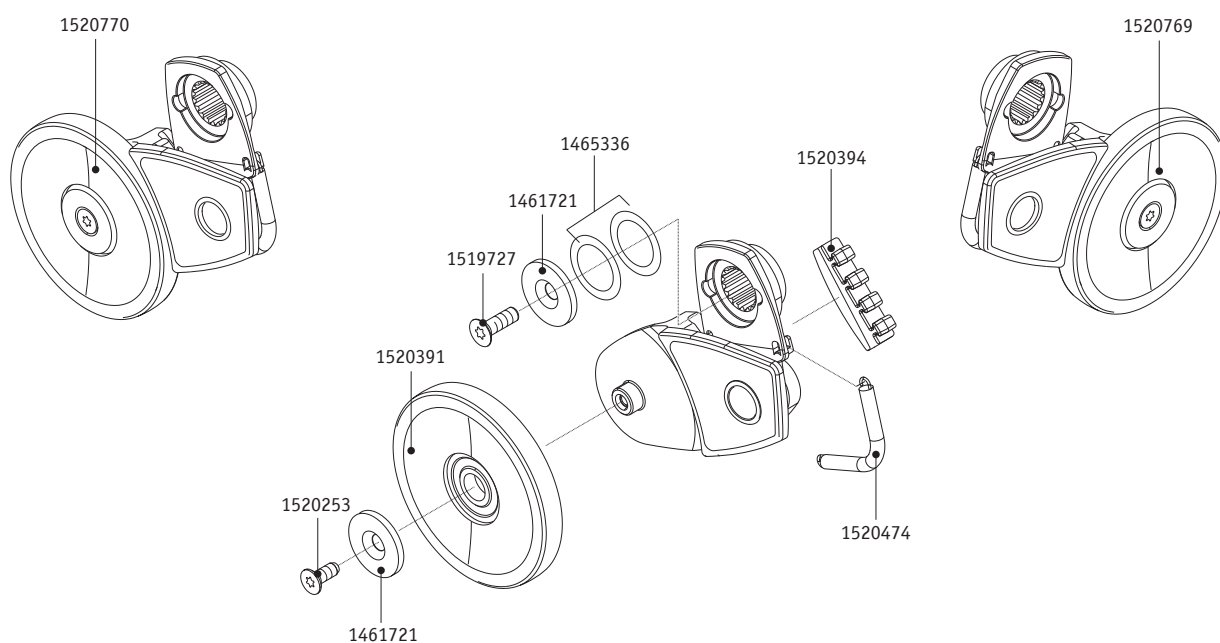
Wheel



| Order number | Description | Qty | Net in Eur |
|--------------|---|-----|------------|
| 1456792 | Tyre for scalamobil S34/S35/S45/S46 | pcs | 62,00 |
| 1463683 | Screw hubcap - M 3 x 8 | pcs | 0,15 |
| 1490058 | Hub cover S34/S35/S45/S46 beamless | pcs | 27,90 |
| 1490208 | Rim inner wheel scalamobil S35/S34 beamless | pcs | 111,95 |
| 1490209 | Rim outer wheel scalamobil S34/S35/S45/S46 | pcs | 115,30 |
| 1520151 | Bearing 61806-2RS | pcs | 6,95 |

scalacombi eco S34

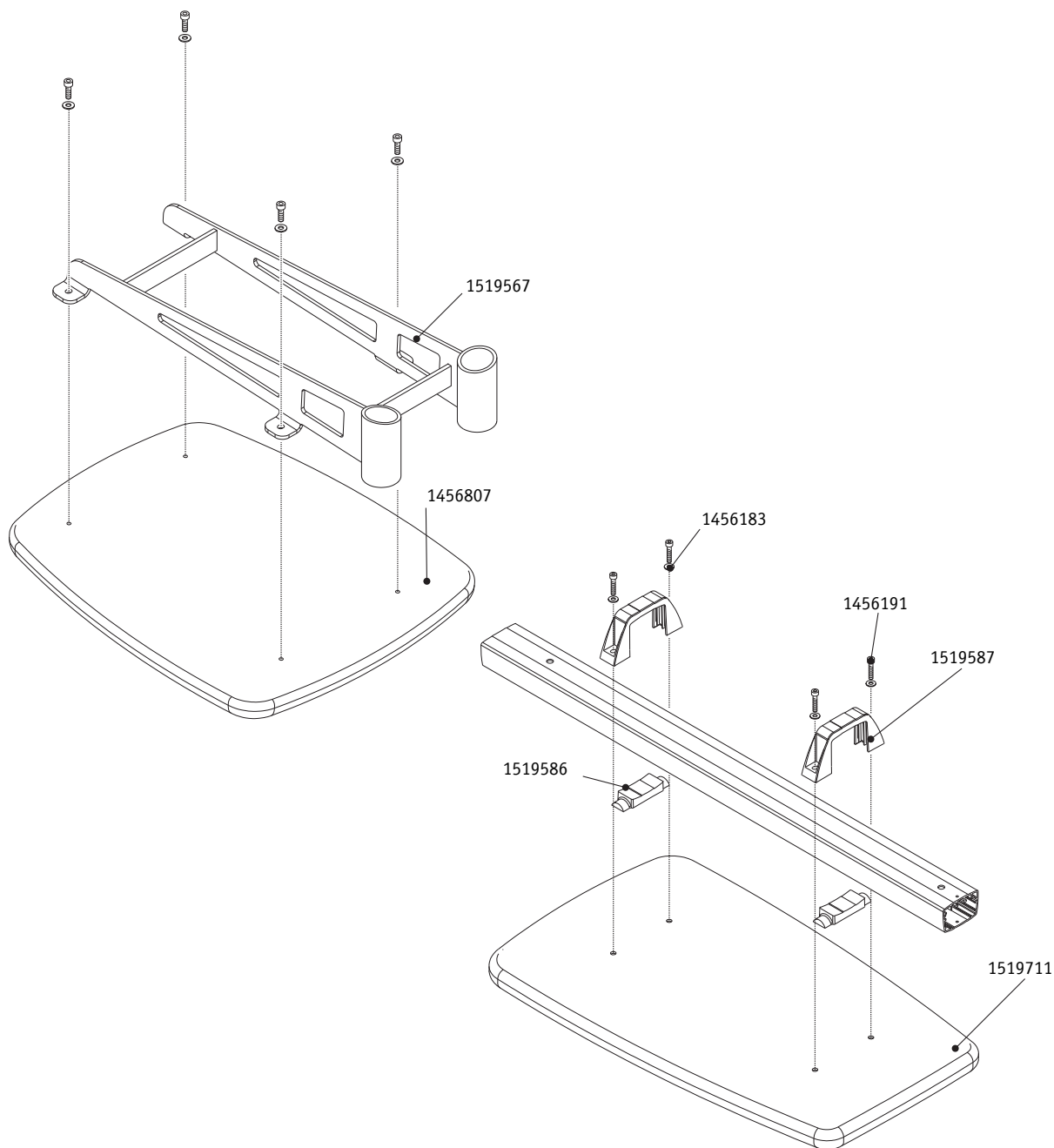
Brakes



| Order number | Description | Qty | Net in Eur |
|--------------|---|-----|------------|
| 1461721 | Washer | pcs | 1,45 |
| 1465336 | Ball bearing compensation disc EPL13 | pcs | 0,30 |
| 1520253 | Ejot Delta PT-Screw WN 5454-45 x 12-A2K | pcs | 0,25 |
| 1520391 | Brake wheel S35/S36/S45/S46 | pcs | 12,70 |
| 1520394 | Brake lining S35/S36/S45/S46 | pcs | 13,90 |
| 1520474 | Tension Spring brake scalamobil S35/S45/S46 | pcs | 3,45 |
| 1520769 | Brake scalamobil S35/S36 right complete | pcs | 223,90 |
| 1520770 | brake scalamobil S35/S36 left complete | pcs | 223,90 |

scalacombi eco S34

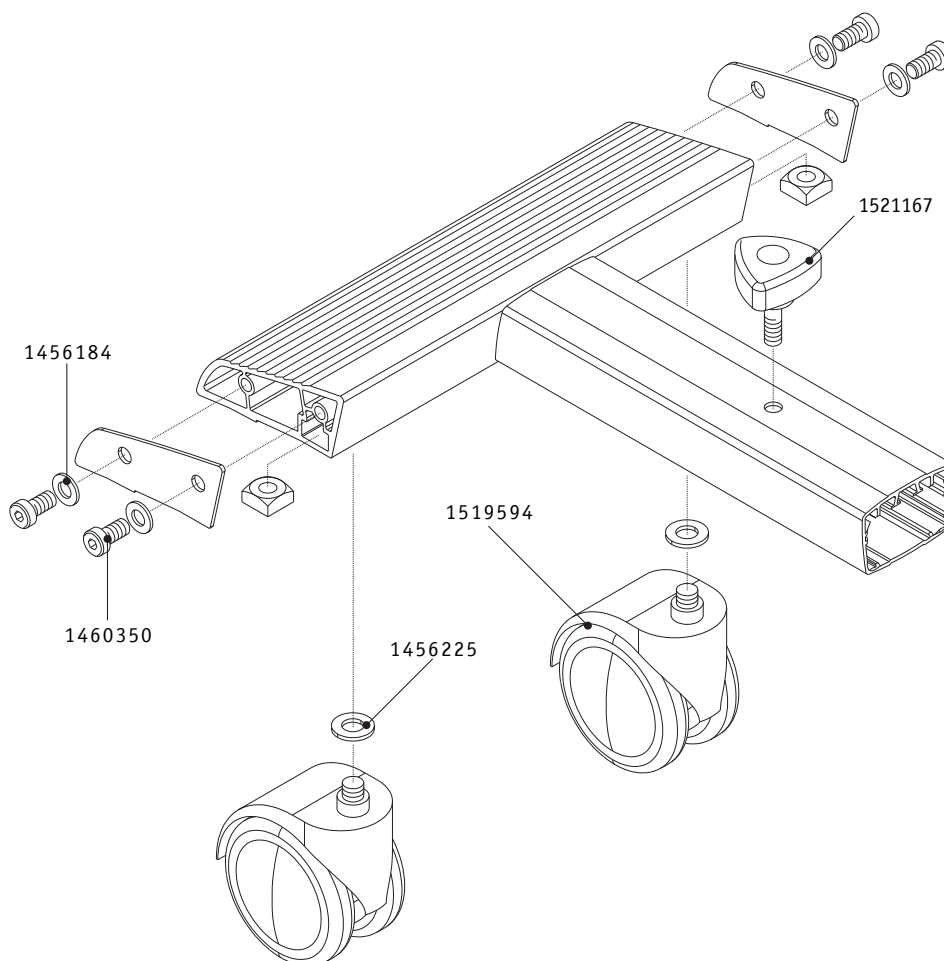
Seat unit



| Order number | Description | Qty | Net in Eur |
|--------------|--|-----|------------|
| 1456183 | Washer DIN 125 - A 6,4 | pcs | 0,05 |
| 1456191 | Cylinder head screw DIN 912 - M 6 x 20 | pcs | 0,15 |
| 1456807 | Seat plate with cushion scalacombi | pcs | 191,20 |
| 1519567 | Support for seat plate S34 | pcs | 124,40 |
| 1519586 | Spacer for backrest S34 | pcs | 1,45 |
| 1519587 | Clamp for backrest S34 | pcs | 3,25 |
| 1519711 | Backrest S34 | pcs | 191,60 |

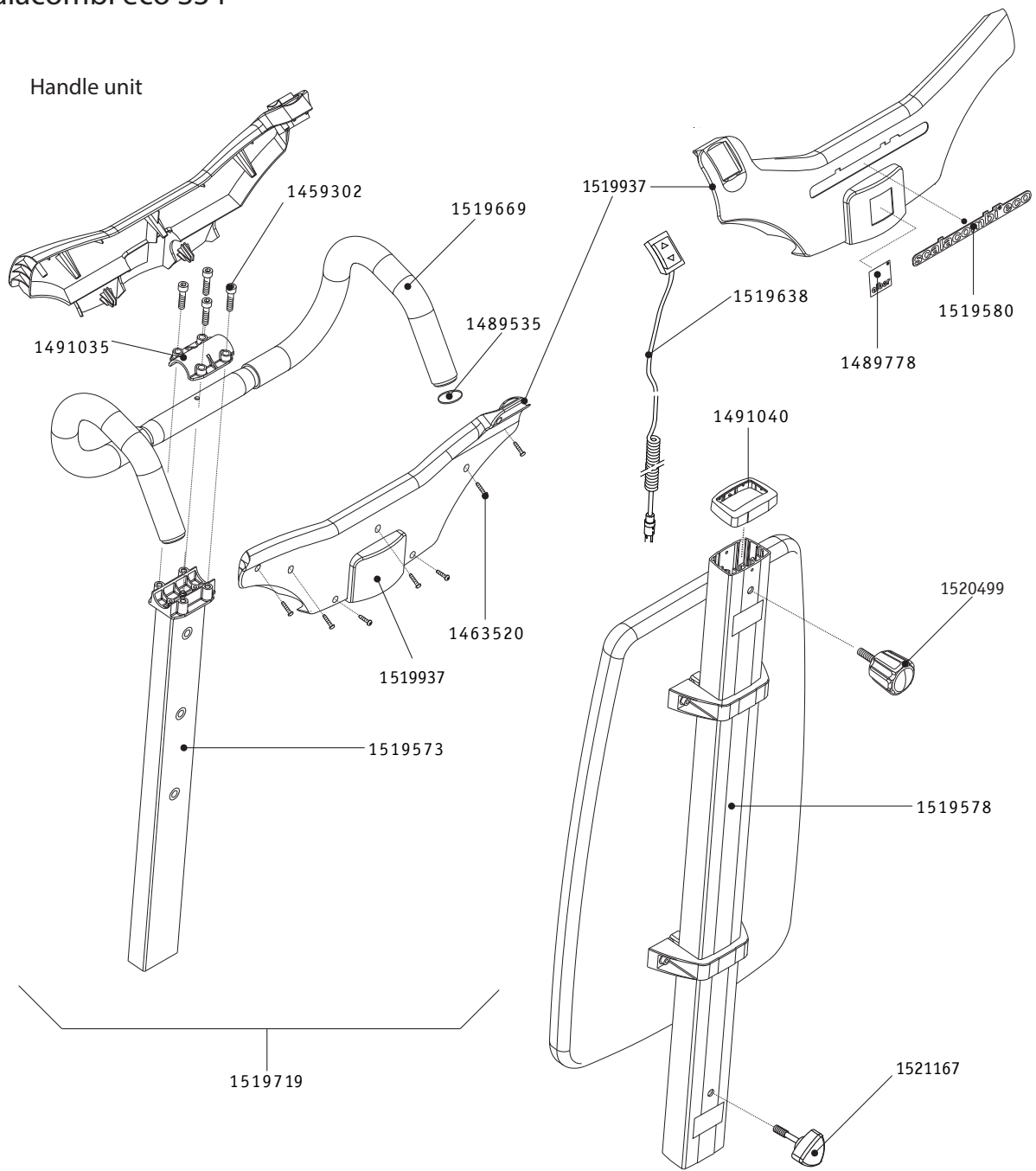
scalacombi eco S34

Footrest



| Order number | Description | Qty | Net in Eur |
|--------------|---|-----|------------|
| 1456184 | Washer DIN 125 | pcs | 0,05 |
| 1456225 | Washer DIN 125 - A10,5 | pcs | 0,15 |
| 1460350 | Cylinder head screw DIN 7984 - M 8 x 16 | pcs | 0,55 |
| 1521167 | Adjustment knob scalacombi eco S34 | pcs | 16,55 |

scalacombi eco S34



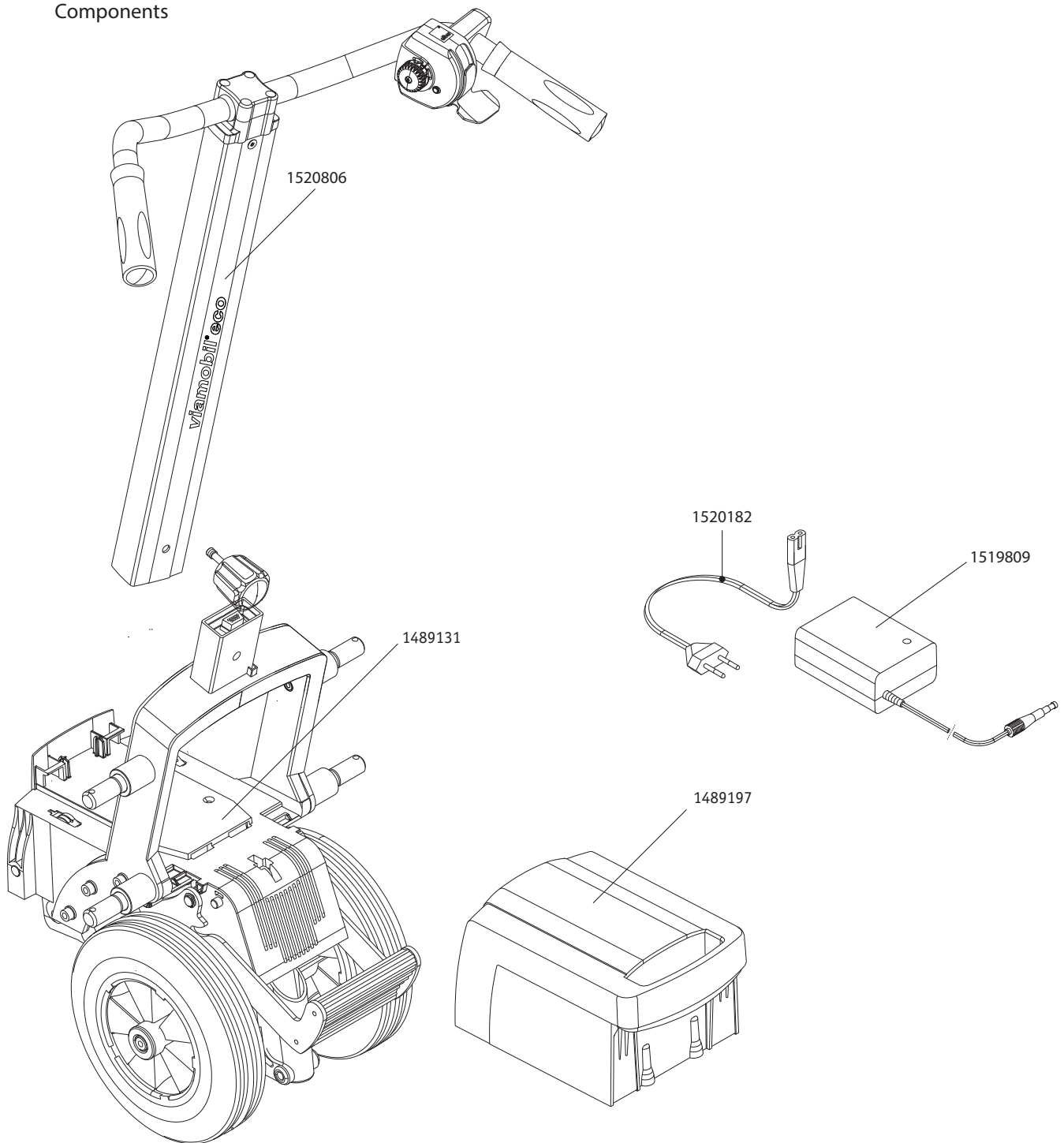
| Order number | Description | Qty | Net in Eur |
|--------------|--|-----|------------|
| 1521167 | Adjustment knob scalacombi eco S34 | pcs | 16,55 |
| 1459302 | Cylinder head screw DIN 912 - M 6 x 25 | pcs | 0,15 |
| 1463520 | Screw Eجت PT K 30 x 14 WN | pcs | 0,15 |
| 1489778 | Sticker „Alber“ 28 x 28mm | pcs | 1,35 |
| 1491035 | Clamp for handle S34 | pcs | 24,10 |
| 1491040 | Profile cover for stanchion handle S34 | pcs | 6,95 |
| 1519573 | Reception tube for handle S34 | pcs | 119,85 |
| 1519578 | Stanchion for handle S34 | pcs | 135,75 |
| 1519580 | Label „scalacombi eco“ | pcs | 13,70 |
| 1519638 | Sprialcable with toggle switch S34 | pcs | 87,90 |
| 1519669 | Handle S34 with soft cover | pcs | 135,75 |
| 1519719 | Handle bar S34 without backrest | pcs | 333,95 |
| 1519937 | Cover S34 | pcs | 35,35 |
| 1520499 | Hand wheel S35 connection motor unit | pcs | 23,20 |

viamobil

| | |
|--|-----|
| viamobil eco V14 | 252 |
| Components | 252 |
| Drive unit | 253 |
| Drive unit + Controller | 254 |
| Handle support | 255 |
| Battery-Pack | 256 |
| Handlebar with control unit | 257 |
| Pedal | 258 |
| Anti tippers | 259 |
| | |
| via go V24 | 260 |
| Components | 260 |
| Drive unit | 261 |
| Control unit | 262 |
| Brackets | 263 |
| Charger | 264 |
| | |
| viamobil V25 | 266 |
| Components | 266 |
| Control unit | 267 |
| Drive unit | 268 |
| Battery-Pack and Wheel | 269 |
| Push handles | 270 |
| Push handles - spare parts | 271 |
| Anti tipper | 272 |
| Anti tipper till 2019 | 273 |
| Bracket for control unit on push handles | 274 |
| Bracket for control unit cross tube | 275 |
| Spindle and slider | 276 |

viamobil eco V14

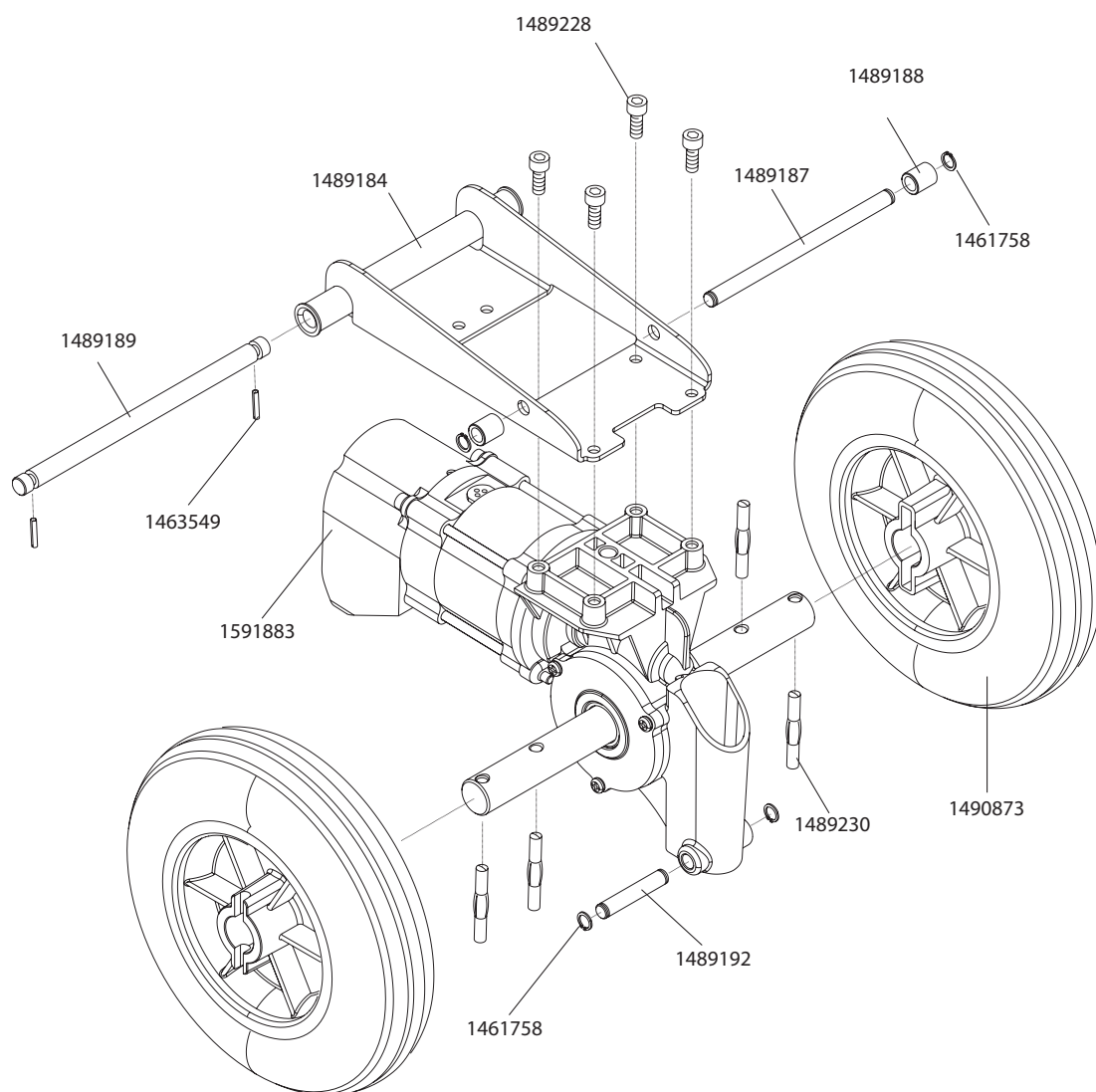
Components



| Order number | Description | Qty | Net in Eur |
|--------------|---|-----|------------|
| 1489131 | Drive unit complete viamobil eco V14 | pcs | 2335,05 |
| 1489197 | Battery pack 24V/7,2Ah viamobil eco | pcs | 166,00 |
| 1519809 | Charger 24V 1,0A with main cable EU | pcs | 120,35 |
| 1520182 | Mains cable EU for charger M25 | pcs | 25,65 |
| 1520806 | Handlebar Control viamobil eco (with Control Unit) complete | pcs | 570,00 |
| 1520853 | Documentation Kit V14 (version with control unit) | pcs | 15,00 |

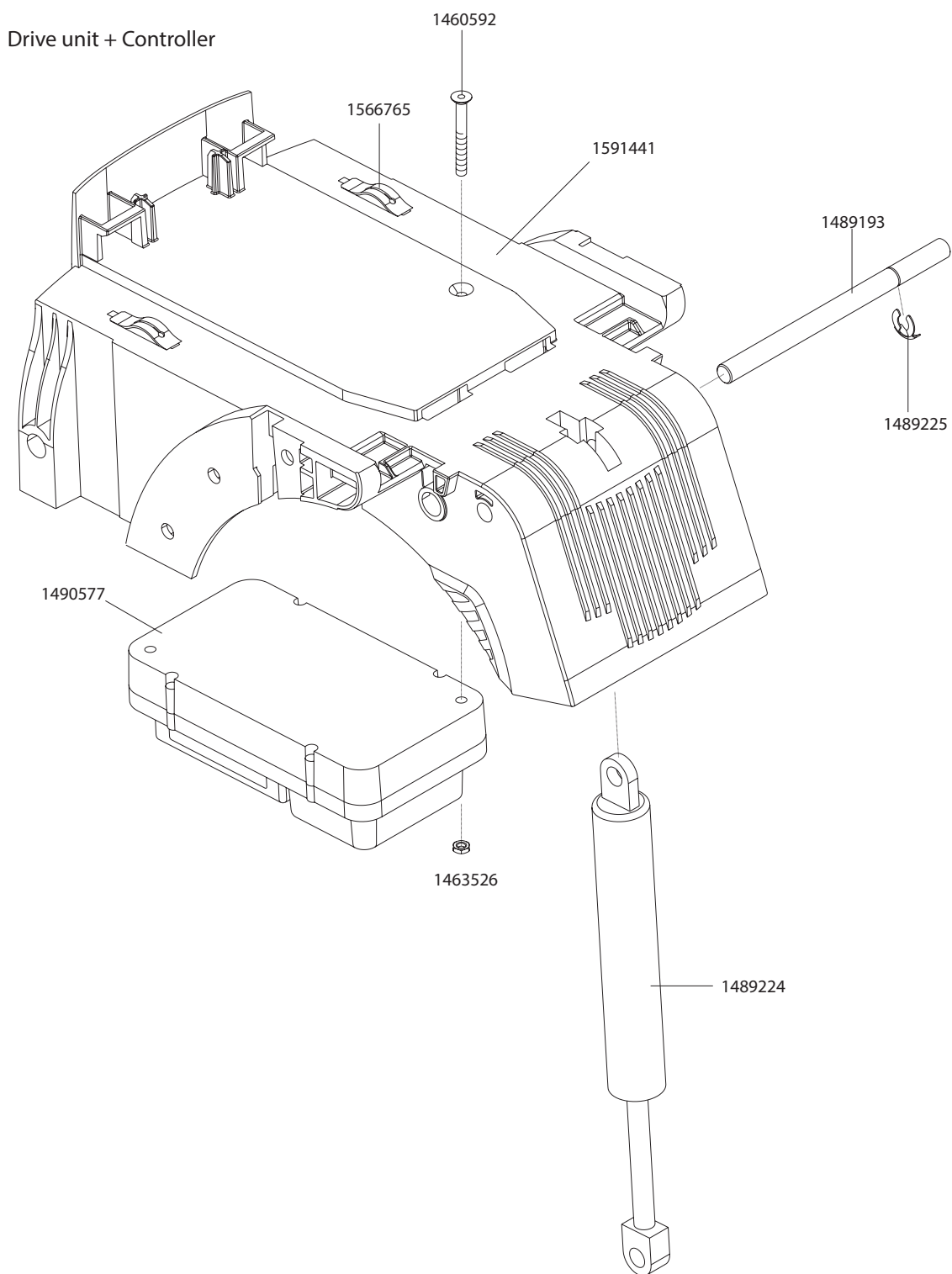
viamobil eco V14

Drive unit



| Order number | Description | Qty | Net in Eur |
|--------------|--|-----|------------|
| 1461758 | Locking ring DIN 471 - 8 x 0,8 | pcs | 0,50 |
| 1463549 | Screw Ejot PT DG 40 x 10 WN 1552 Z | pcs | 0,15 |
| 1489184 | Swivel plate viamobil V14 | pcs | 126,95 |
| 1489187 | Arester axle viamobil eco V14 | pcs | 27,80 |
| 1489188 | Guide roller | pcs | 6,70 |
| 1489189 | Swivel axle viamobil V14 | pcs | 31,70 |
| 1489192 | Axle for gas spring bottom part for viamobil V14 | pcs | 19,25 |
| 1489228 | Screws | pcs | 0,40 |
| 1489230 | Spiral spring pin | pcs | 0,50 |
| 1490873 | Drive wheel viamobil eco V14 incl. sleeves | pcs | 33,55 |
| 1591883 | Drive motor viamobil eco V14 | pcs | 655,25 |

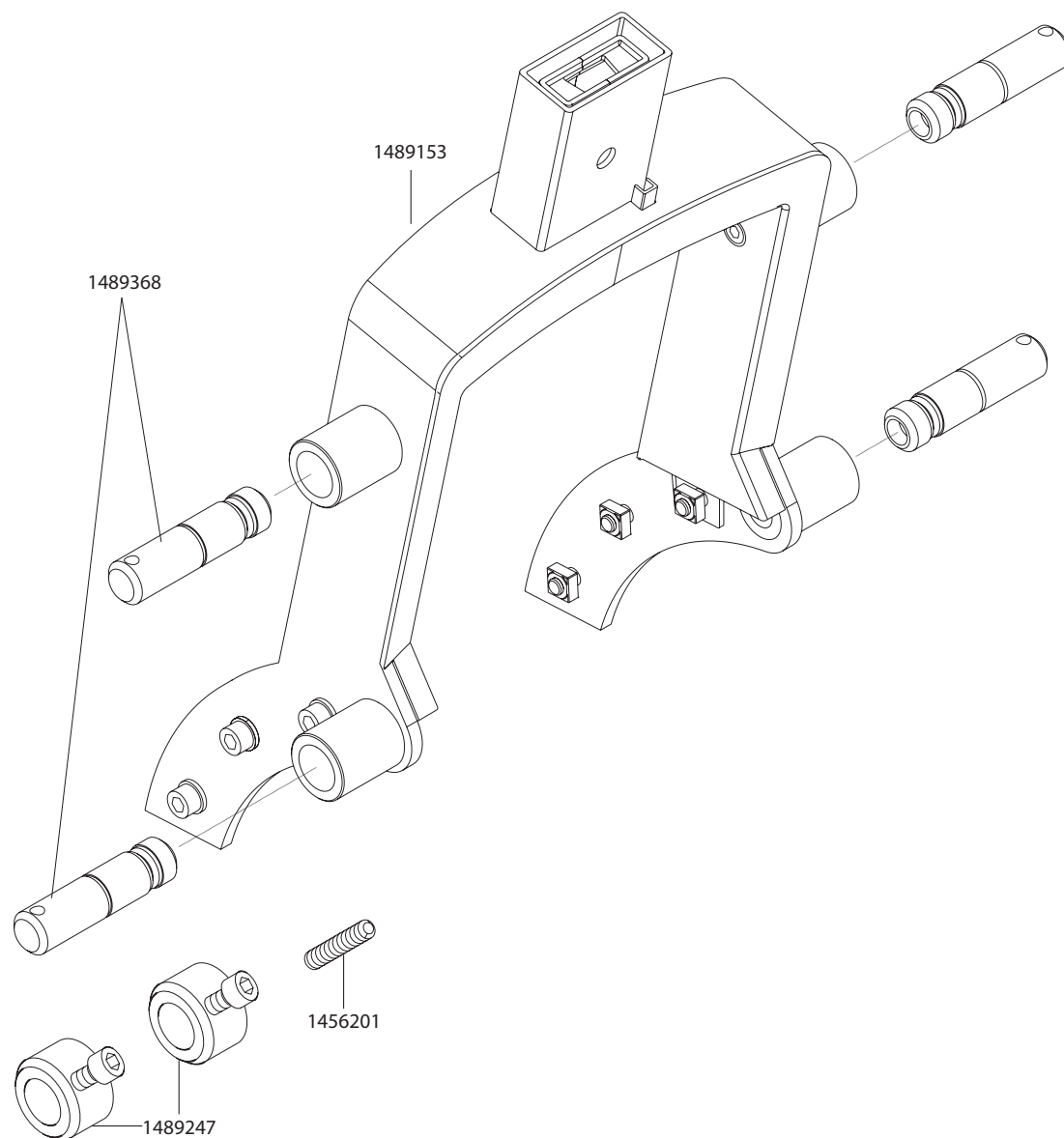
viamobil eco V14



| Order number | Description | Qty | Net in Eur |
|--------------|---|-----|------------|
| 1460592 | Countersunk head screw DIN 7991 - M 4 x 30 - 8.8 | pcs | 0,25 |
| 1463526 | Lock nut DIN 985 - M 4 - 8 vz | pcs | 0,15 |
| 1489193 | Axle for gas spring upper part for viamobil V14 | pcs | 28,10 |
| 1489224 | Gas spring viamobil V14 | pcs | 163,10 |
| 1489225 | Blanking plate | pcs | 0,35 |
| 1490577 | Controller for S-Drive generic (D50745) incl. cover | pcs | 516,05 |
| 1591441 | Drive housing V14 pre-assembled | pcs | 340,70 |
| 1566765 | Federelement | pcs | 0,90 |

viamobil eco V14

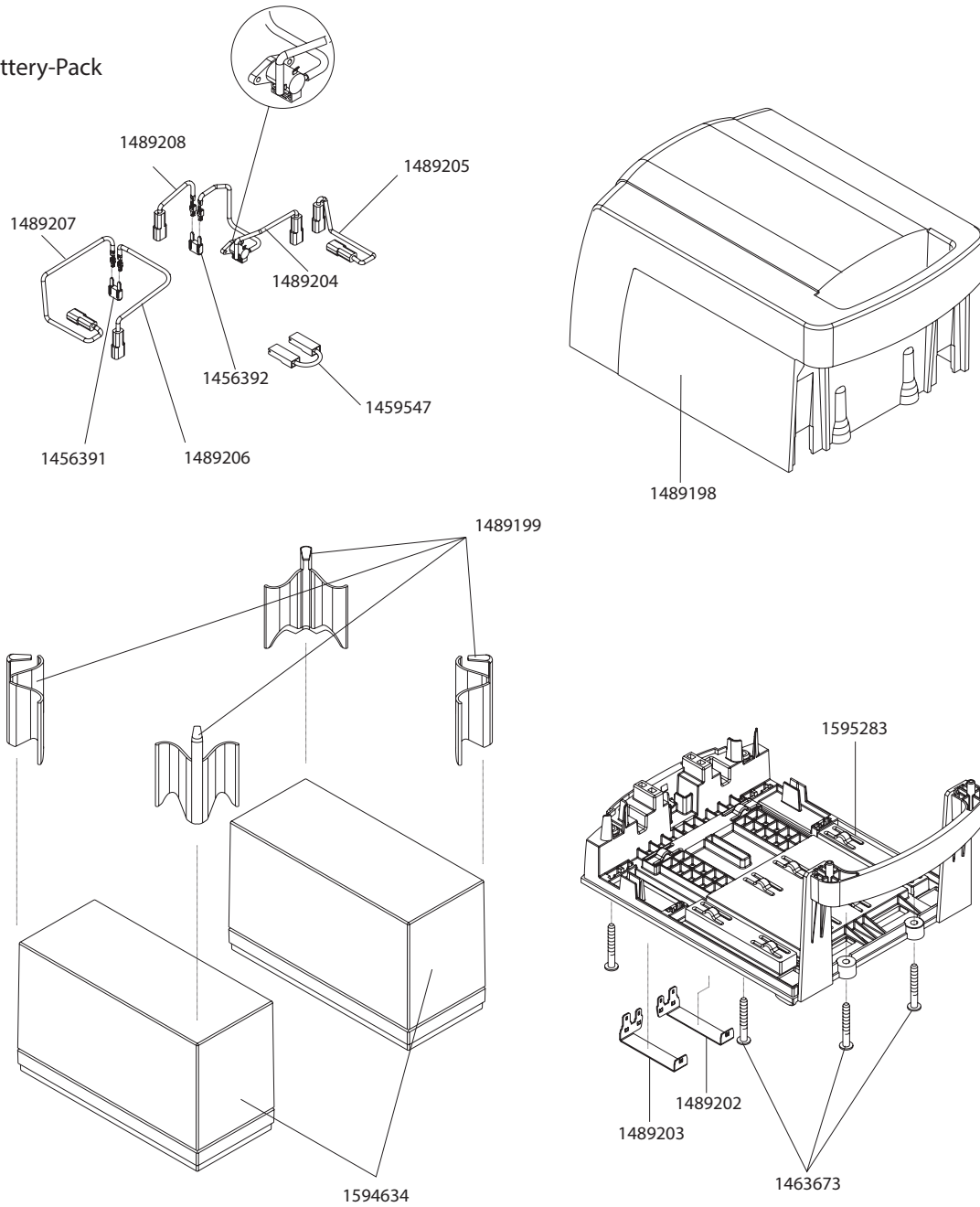
Handle support



| Order number | Description | Qty | Net in Eur |
|--------------|--|-----|------------|
| 1456201 | Threaded pin ISO4027 M 5 x 6 | pcs | 1,65 |
| 1489247 | Adjusting ring set for scalamobil/viamobil | pcs | 16,95 |
| 1489368 | Bolts viamobil eco (Dummy Code) | pcs | 72,25 |
| 1489153 | clamp V14 welded and powder coated RAL 9006 metallic fine structure beamless | pcs | 141,30 |

viamobil eco V14

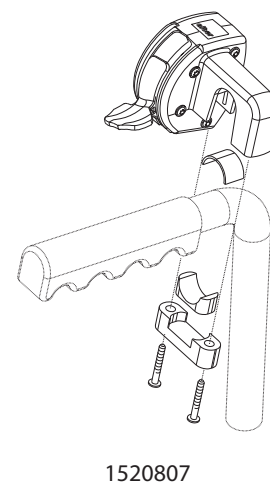
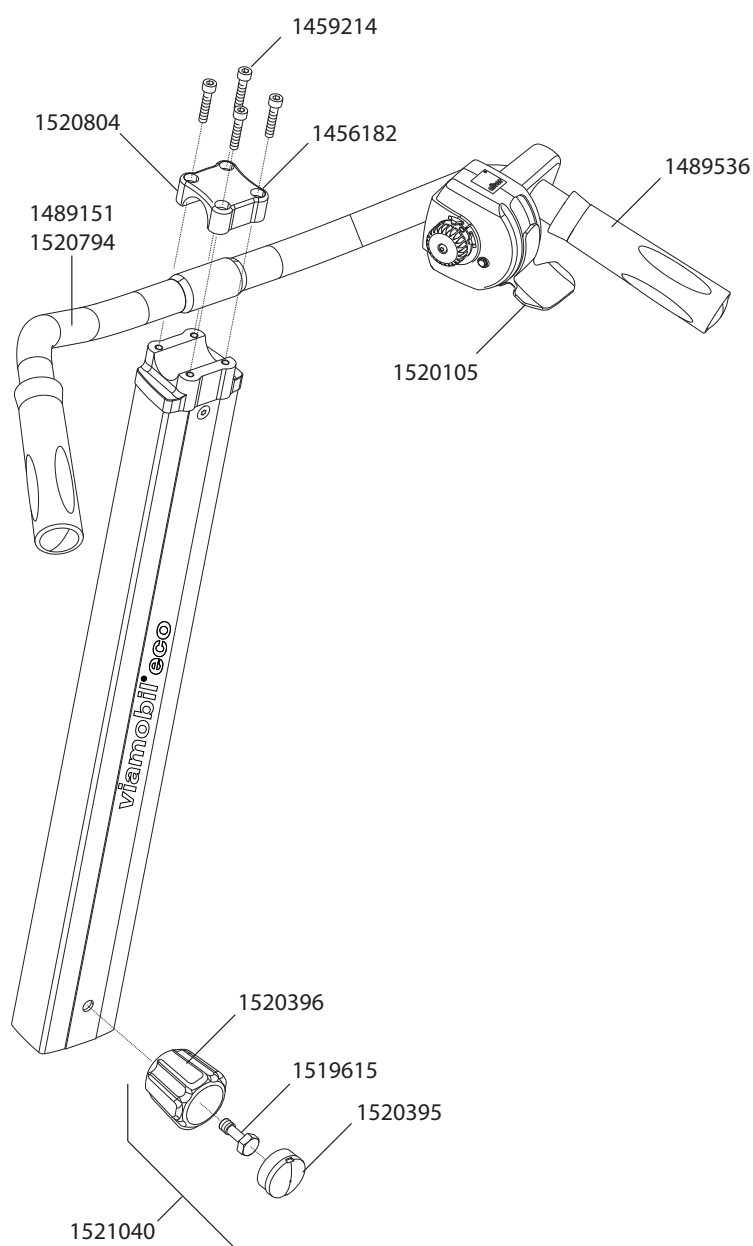
Battery-Pack



| Order number | Description | Qty | Net in Eur |
|--------------|--|-----|------------|
| 1456391 | Fuse 25A flat | pcs | 1,20 |
| 1456392 | Fuse 3A flat | pcs | 3,65 |
| 1459547 | Cable for battery E20/V15/E25/V14/E34 | pcs | 3,50 |
| 1463673 | Truss head screw | pcs | 0,20 |
| 1489198 | Housing battery pack upper part for viamobil eco V14 | pcs | 84,10 |
| 1489199 | Battery pack spring for viamobil V14 | pcs | 1,85 |
| 1489202 | Contact V14 right side galvanic | pcs | 12,05 |
| 1489203 | Contact V14 left side galvanic | pcs | 12,05 |
| 1489204 | Charger socket with cable and plug for viamobil V14 | pcs | 10,05 |
| 1489205 | Cable battery pack - contact spring (negative pole) | pcs | 2,70 |
| 1489206 | Cable battery pack - fuse 25 A (positive pole) | pcs | 1,95 |
| 1489207 | Cable fuse 25 A - contact spring (negative pole) | pcs | 1,85 |
| 1489208 | Cable fuse 3 A - contact spring (positiv pole) | pcs | 1,85 |
| 1594634 | Battery 12V 7,2Ah Multipower MP8-12C for V14 | pcs | 42,65 |
| 1595283 | Battery pack carrier viamobil V14, preassembled | pcs | 85,45 |

viamobil eco V14

Handlebar with control unit

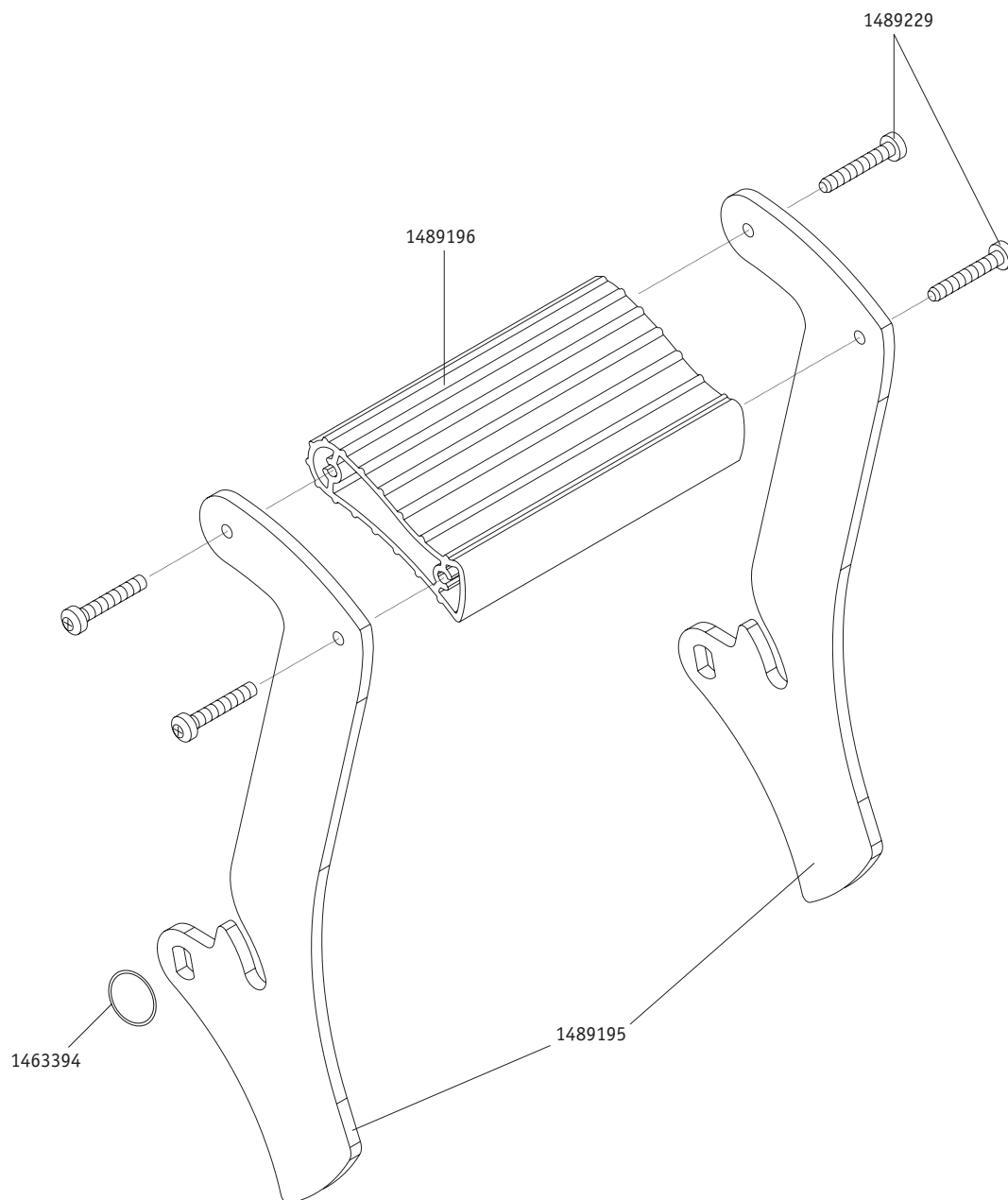


| Order number | Description | Qty | Net in Eur |
|--------------|--|-----|------------|
| 1456182 | Washer DIN 125 - A 5,3 - St vz | pcs | 0,05 |
| 1459214 | Cylinder head screw DIN 912 - M 5 x 25 - 8.8 | pcs | 0,15 |
| 1489536 | Handle cover for handlebar | pcs | 11,60 |
| 1519615 | Hexagonal screw ISO4017 M 8 x 25 - 8.8 | pcs | 0,25 |
| 1520105 | Operating lever | pcs | 3,30 |
| 1520395 | Cover for Hand wheel | pcs | 1,20 |
| 1520396 | Hand wheel | pcs | 9,70 |
| 1520794 | Steering bow V14 narrow | pcs | 33,45 |
| 1520804 | Clamp für V14 steering head | pcs | 23,45 |
| 1520807 | Mounting Set for V14 control unit | pcs | 33,35 |
| 1521040 | Hand wheel V14 complete | pcs | 11,75 |
| 1489151 | Handlebar viamobil V14 preassembled | pcs | 69,60 |



viamobil eco V14

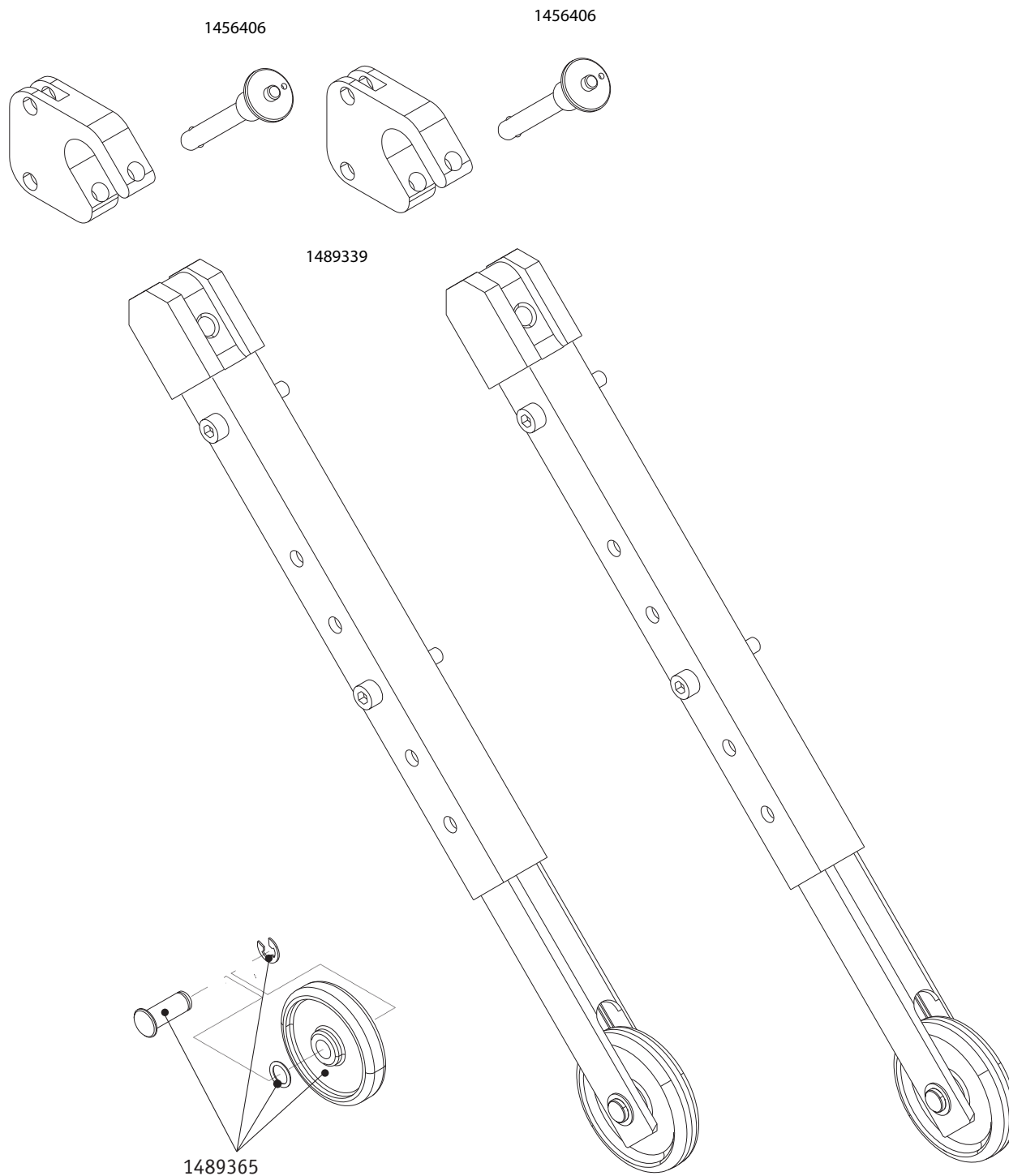
Pedal



| Order number | Description | Qty | Net in Eur |
|--------------|------------------------------------|-----|------------|
| 1463394 | Locking ring DIN 471 - 10 x 1 - A2 | pcs | 0,40 |
| 1489195 | Pedal arm viamobil V14 | pcs | 63,70 |
| 1489196 | Pedal profile viamobil V14 | pcs | 52,75 |
| 1489229 | Screws | pcs | 0,35 |

viamobil eco V14

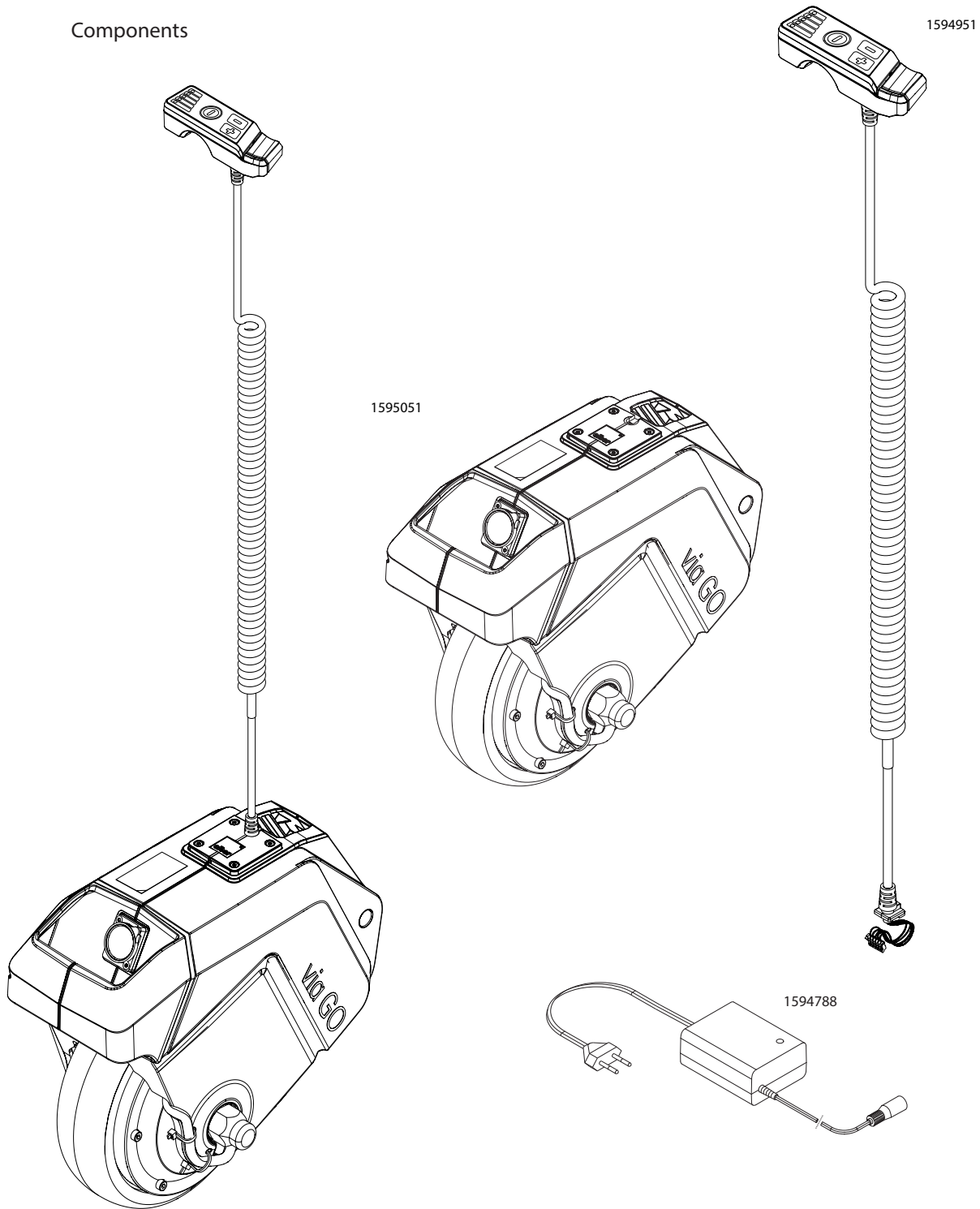
Anti tipper



| Order number | Description | Qty | Net in Eur |
|--------------|---------------------------------|-----|------------|
| 1489339 | Anti-tippers viamobil eco | pcs | 186,00 |
| 1456406 | Quickpin quick release bolt | pcs | 25,95 |
| 1489365 | Wheel for anti-tippers complete | pcs | 2,90 |

via go V24

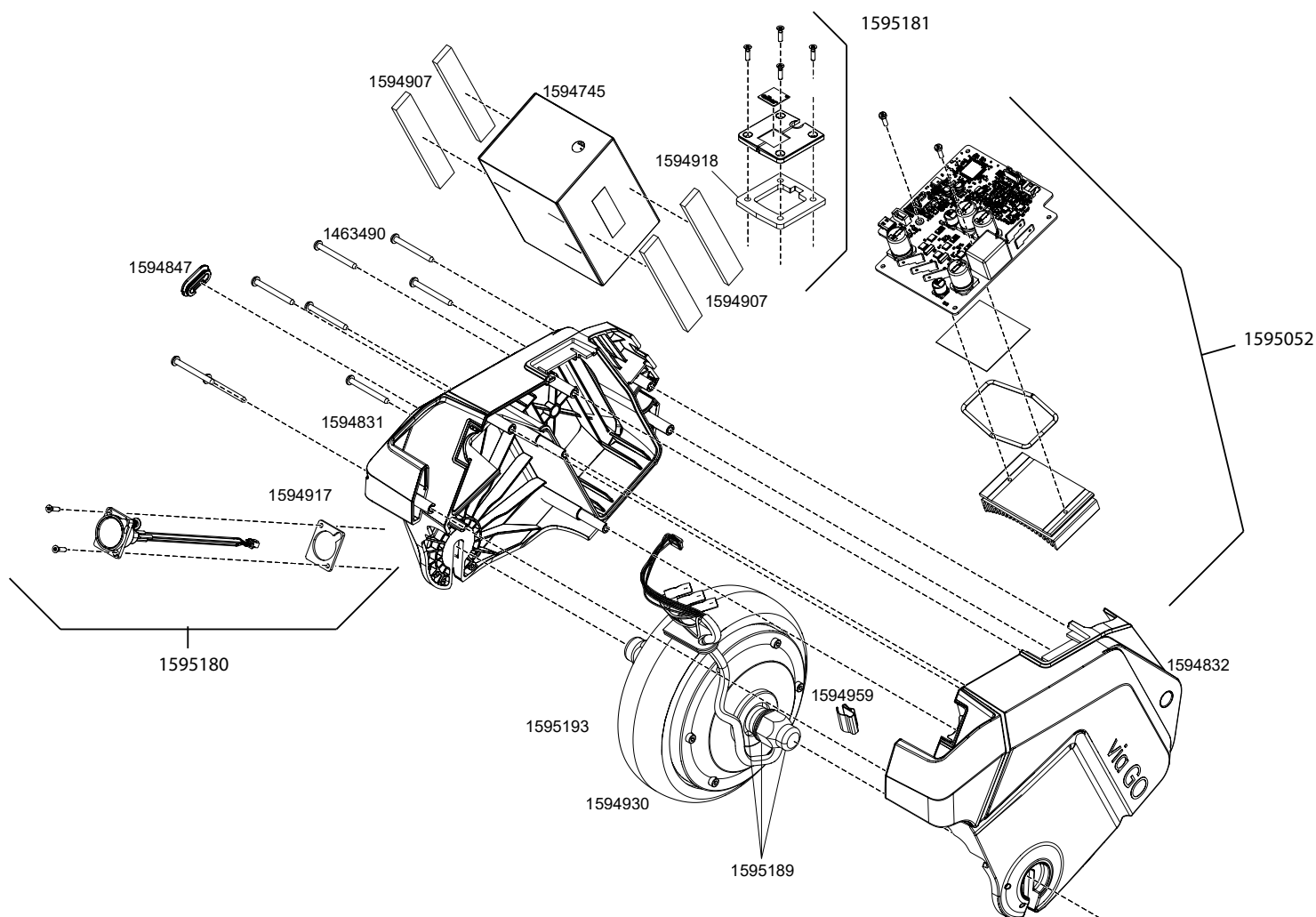
Components



| Order number | Description | Qty | Net in Eur |
|--------------|--|-----|------------|
| 1594788 | Charger via go V24 BC3610 36V 1A | pcs | 124,65 |
| 1594951 | Control unit via go V24 incl. spiral cable | pcs | 204,50 |
| 1595051 | Drive unit via go V24 | pcs | 2586,15 |

via go V24

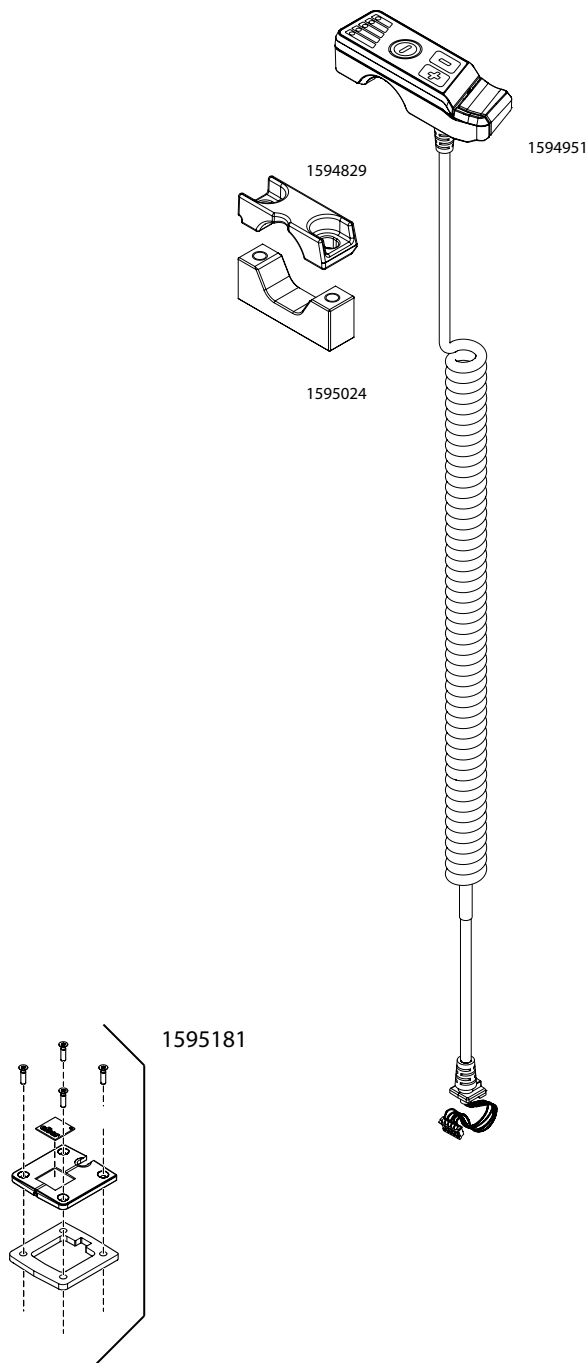
Drive unit



| Order number | Description | Qty | Net in Eur |
|--------------|---|-----|------------|
| 1463490 | Screw Ejot PT K 40 x 40 WN 1452 | pcs | 0,40 |
| 1594745 | Battery pack V24 | pcs | 519,05 |
| 1594831 | Housing left with seal V24 | pcs | 134,50 |
| 1594832 | Housing right V24 | pcs | 134,50 |
| 1594907 | Foam pad V24 | pcs | 3,40 |
| 1594917 | Seal charging socket V24 | pcs | 3,20 |
| 1594918 | Service flap seal V24 | pcs | 4,95 |
| 1594930 | Motor incl. tire V24 | pcs | 566,10 |
| 1595052 | PCB with Heat sink V24 | pcs | 745,45 |
| 1595180 | Charging socket incl seal and screws via go V24 | pcs | 10,50 |
| 1595181 | Service flap incl. seal and screws via go V24 | pcs | 28,75 |
| 1595189 | Mounting set motor V24 | pcs | 19,30 |
| 1595193 | Wheelhub with tire V24 | pcs | 76,90 |

via go V24

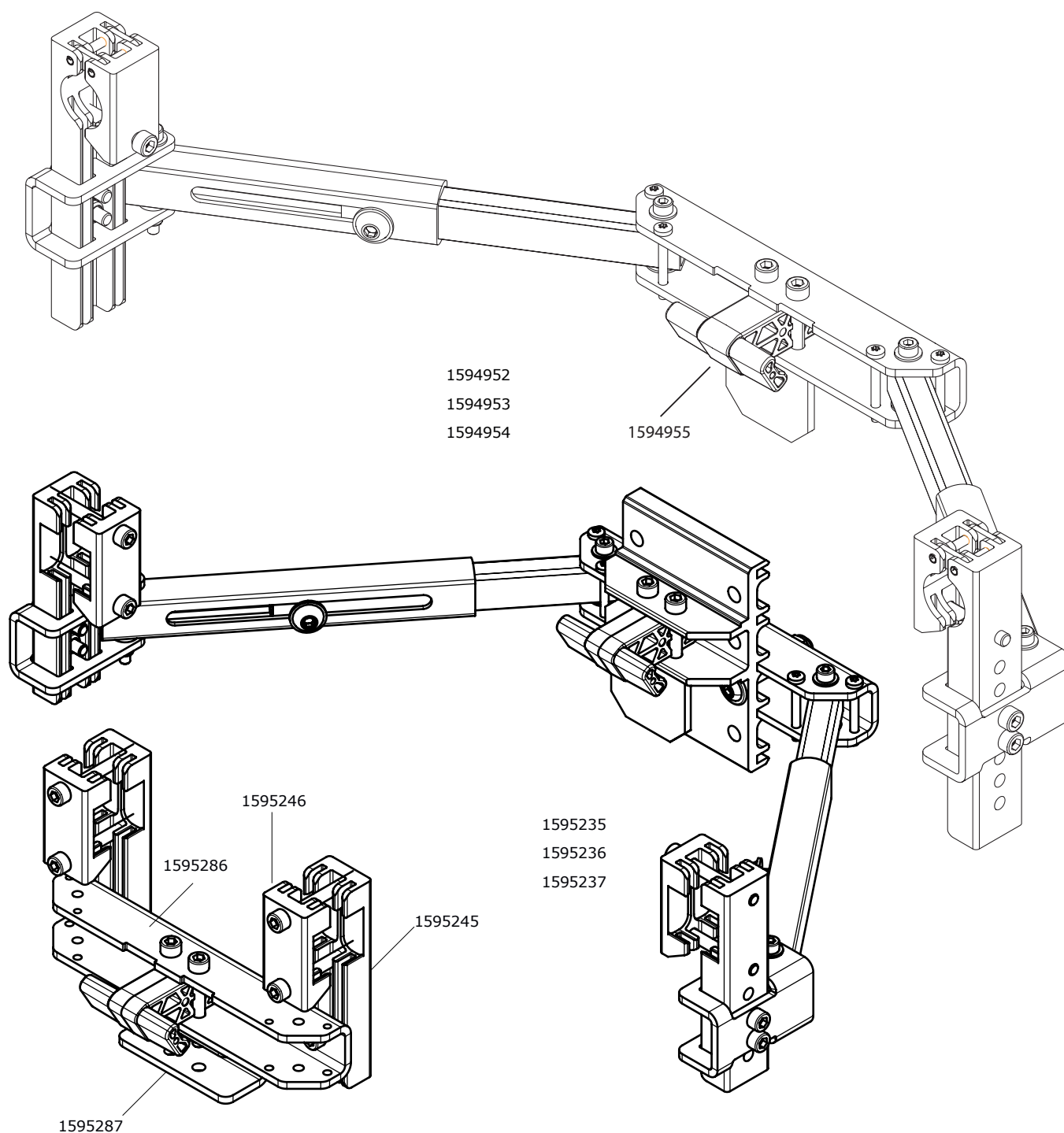
Control unit



| Order number | Description | Qty | Net in Eur |
|--------------|---|-----|------------|
| 1594829 | Bracket control unit via go V24 | pcs | 9,40 |
| 1594951 | Control unit via go V24 incl. spiral cable | pcs | 204,50 |
| 1594959 | Cable clamp V24 | pcs | 4,90 |
| 1595024 | Counter holder control unit holder via go | pcs | 22,00 |
| 1595181 | Service flap incl. seal and screws via go V24 | pcs | 28,75 |

via go V24

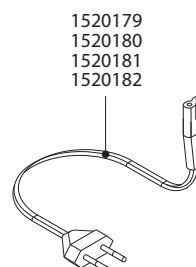
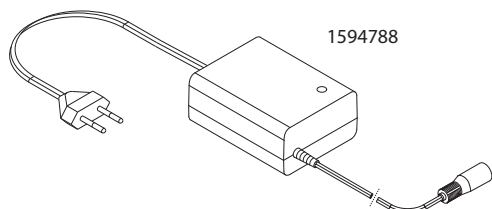
Brackets



| Order number | Description | Qty | Net in Eur |
|--------------|--|-----|------------|
| 1594952 | Bracket via go V24 size „S“, 36 - 42 cm seat width | pcs | 80,00 |
| 1594953 | Bracket V24 size M 42-50 cm | pcs | 80,00 |
| 1594954 | Bracket via go V24 size „L“, 50 - 56 cm seat width | pcs | 80,00 |
| 1594955 | Interlock V24 | pcs | 29,35 |
| 1595235 | Bracket with height adapter V24 size L 50-56 cm | pcs | 105,00 |
| 1595236 | Bracket with height adapter V24 size M 42-50 cm | pcs | 105,00 |
| 1595237 | Bracket with height adapter V24 size S 36-42 cm | pcs | 105,00 |
| 1595245 | Clamping external for insertion profile V24 | pcs | 30,00 |
| 1595246 | Clamping inside for insertion profile V24 | pcs | 12,00 |
| 1595286 | Connection V24 | pcs | 24,30 |
| 1595287 | Angle V24 | pcs | 26,50 |

via go V24

Charger

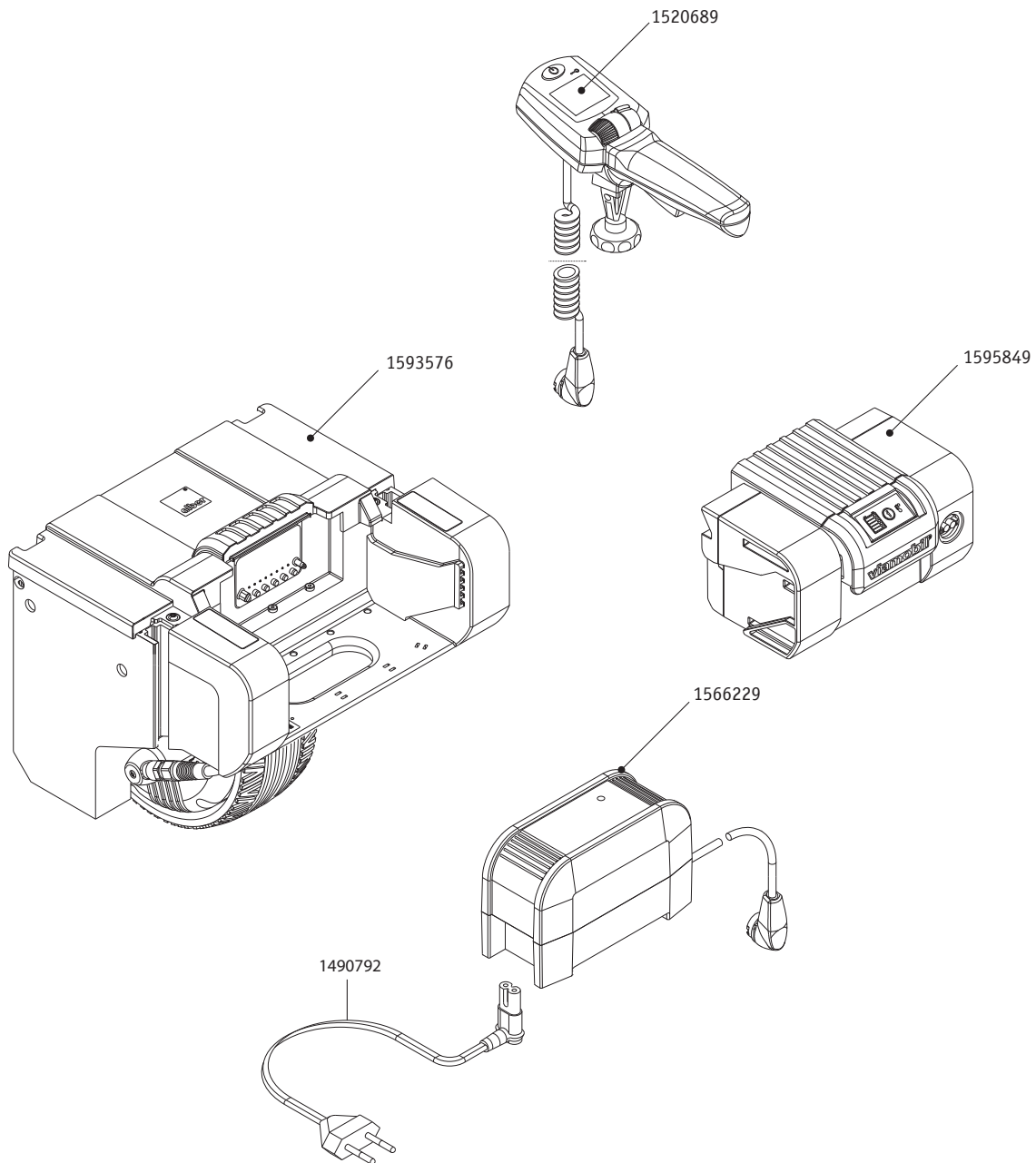


| Order number | Description | Qty | Net in Eur |
|--------------|---|-----|------------|
| 1594788 | Charger 24V 1,0A with main cable EU | pcs | 124,65 |
| 1520179 | Mains cable for charger 1.0A USA/Japan | pcs | 22,05 |
| 1520180 | Mains cable for charger 1.0A UK-Version | pcs | 22,05 |
| 1520181 | Mains cable for charger 1.0A AU | pcs | 22,05 |
| 1520182 | Mains cable EU for charger M25 | pcs | 25,65 |



viamobil V25

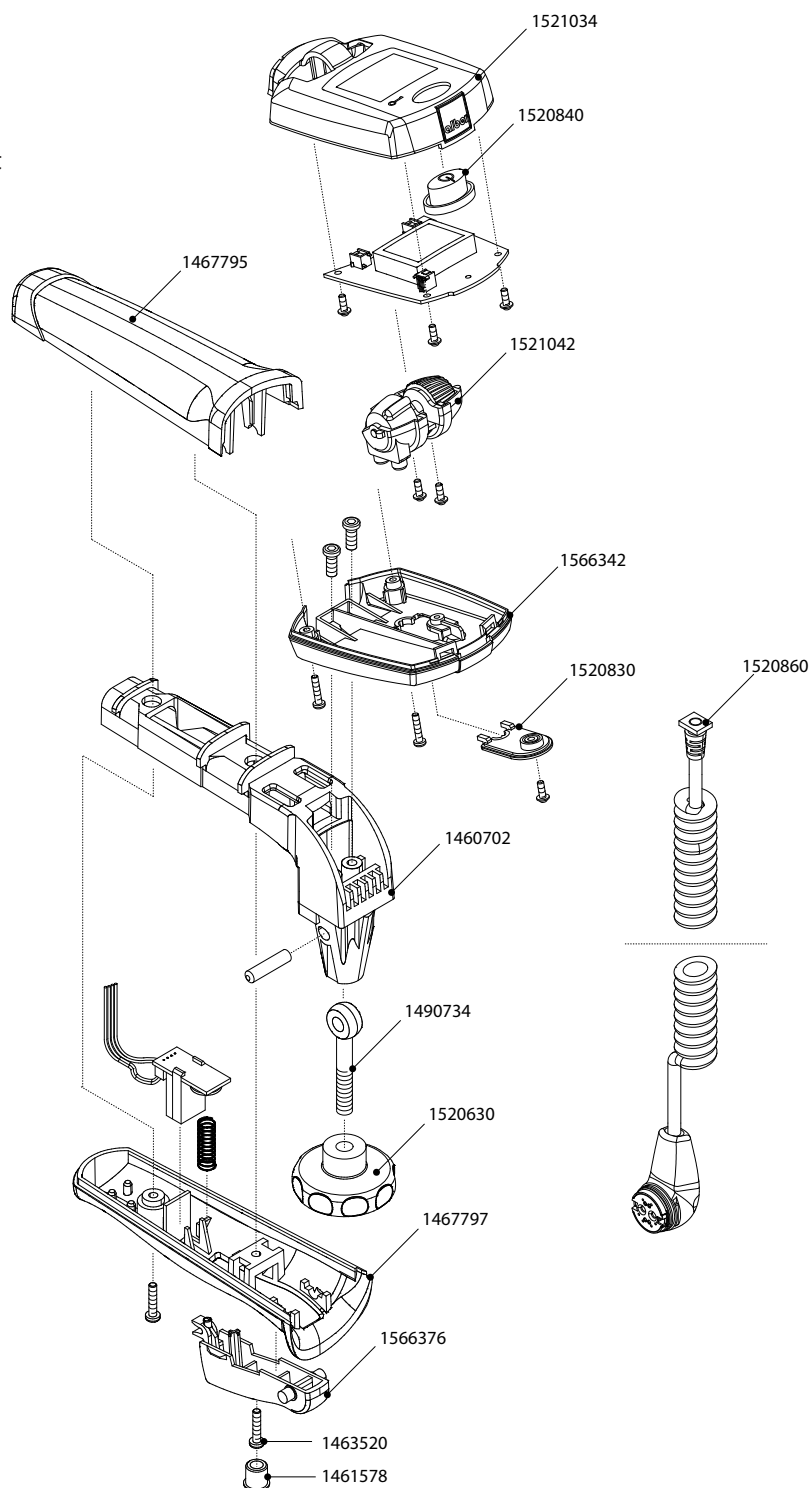
Components



| Order number | Description | Qty | Net in Eur |
|--------------|------------------------------------|-----|------------|
| 1456776 | Immobiliser key V25/E3x/S35 grey | pcs | 13,60 |
| 1490792 | Main cable for charger, EU | pcs | 23,45 |
| 1520689 | Control unit viamobil V25 complete | pcs | 501,60 |
| 1593576 | Drive Unit V25 complete | pcs | 3514,85 |
| 1521202 | Documentation Kit V25 German | pcs | 16,75 |
| 1521203 | Documentation Kit V25 multilingual | pcs | 27,85 |
| 1566229 | Charger E35 / E36 / V25 | pcs | 200,20 |
| 1595849 | Battery Pack for viamobil V25 | pcs | 530,95 |

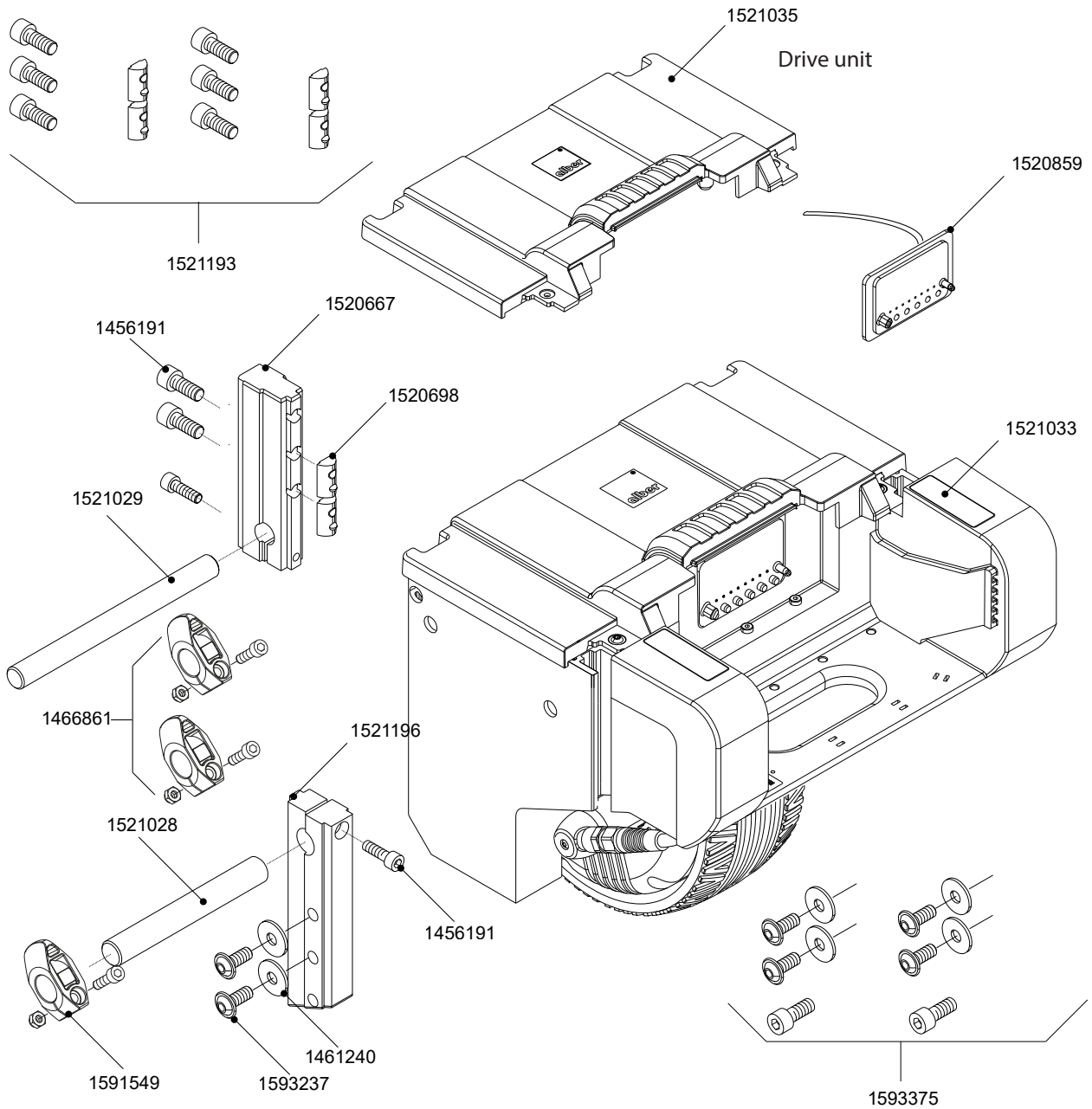
viamobil V25

Control unit



| Order number | Description | Qty | Net in Eur |
|--------------|--|-----|------------|
| 1460702 | Inlet control unit and handle for viamobil V15/V25 powder-coated | pcs | 21,20 |
| 1461578 | Plug | pcs | 0,55 |
| 1463520 | Screw Ejot PT K 30 x 14 WN | pcs | 0,15 |
| 1467795 | Housing handle upper part V25/E25/E26 | pcs | 8,85 |
| 1467797 | Housing handle lower part V25/E25/E26 | pcs | 8,45 |
| 1490734 | Eye screw DIN 444 BM 6 x 40/4.6 | pcs | 4,85 |
| 1520630 | Star handle nut for control unit | pcs | 4,75 |
| 1520830 | Cover Control Unit V25 bottom side | pcs | 4,85 |
| 1520840 | Switch ON/OFF Control Unit viamobil V25 | pcs | 2,75 |
| 1520860 | Cable for control unit V25 / E35 / E36 | pcs | 65,15 |
| 1521034 | Housing Control Unit V25 upper part | pcs | 26,05 |
| 1521042 | Roller support V25 complete | pcs | 31,45 |
| 1566342 | Housing lower part control unit | pcs | 5,15 |
| 1566376 | Throttle Lever | pcs | 4,30 |

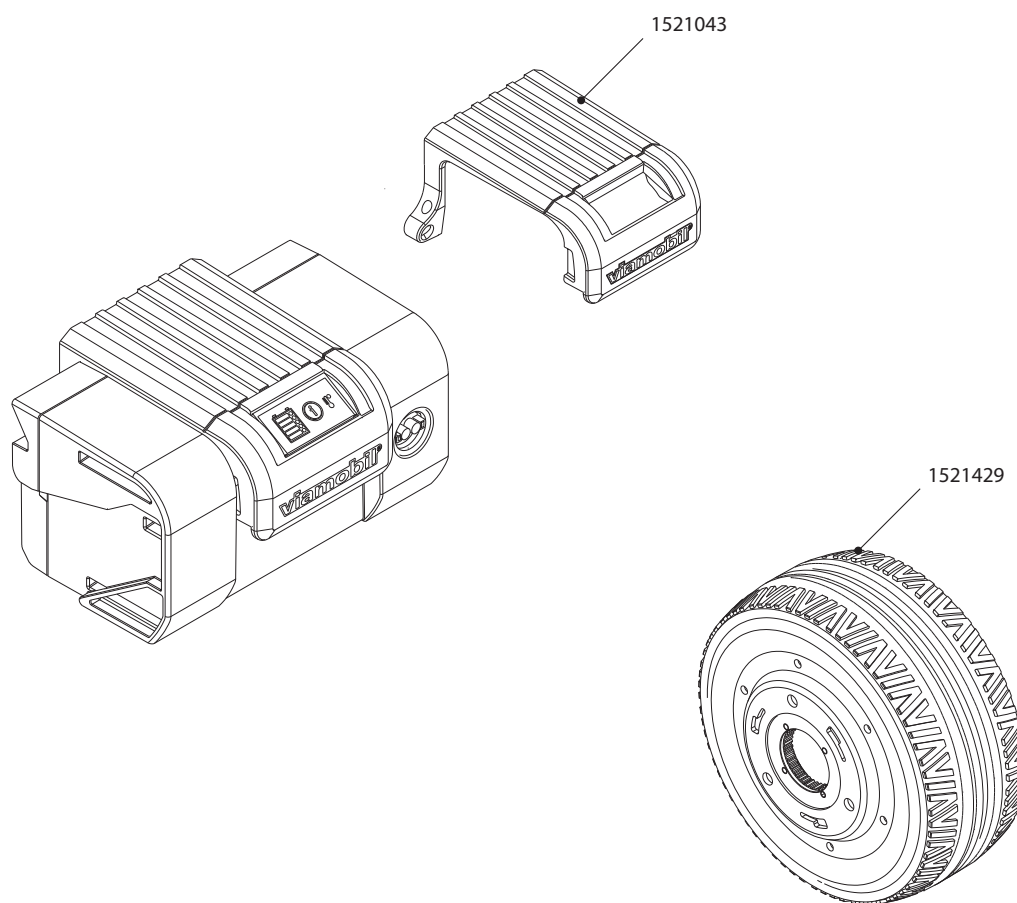
viamobil V25



| Order number | Description | Qty | Net in Eur |
|--------------|---|-----|------------|
| 1456191 | Cylinder head screw DIN 912 - M 6 x 20 | pcs | 0,15 |
| 1466861 | Fixation set for viamobil V15/V25 | pcs | 56,50 |
| 1591549 | Fixation complete | pcs | 27,10 |
| 1459449 | Threaded pin M6 | pcs | 0,20 |
| 1520662 | Hoist Motor V25 | pcs | 103,35 |
| 1520666 | Mounting profile V25 upper part | pcs | 35,05 |
| 1520667 | Mounting profile V25 lower part | pcs | 37,55 |
| 1520698 | Counterpart Profile V25 lower part | pcs | 3,75 |
| 1461240 | Washer DIN 9021 - A 8,4 - 100 HV vz | pcs | 0,10 |
| 1520859 | Cable harness with contact plate viamobil V25 | pcs | 76,30 |
| 1521028 | Bolt set viamobil V25 upper part | pcs | 36,85 |
| 1521029 | Bolt set viamobil V25 lower part | pcs | 32,60 |
| 1521033 | Cover without opening for push handles viamobil V25 | pcs | 5,75 |
| 1521035 | Drive Unit Cover V25 | pcs | 24,65 |
| 1521193 | Mounting accessories for V25 front profile | pcs | 14,30 |
| 1593375 | Mounting set profile rear V25 | pcs | 24,30 |
| 1521196 | Set of mounting profiles V25 rear side | pcs | 82,90 |
| 1593237 | Flatead-Screw SHR-ISO7380 M8x20 | pcs | 0,80 |

viamobil V25

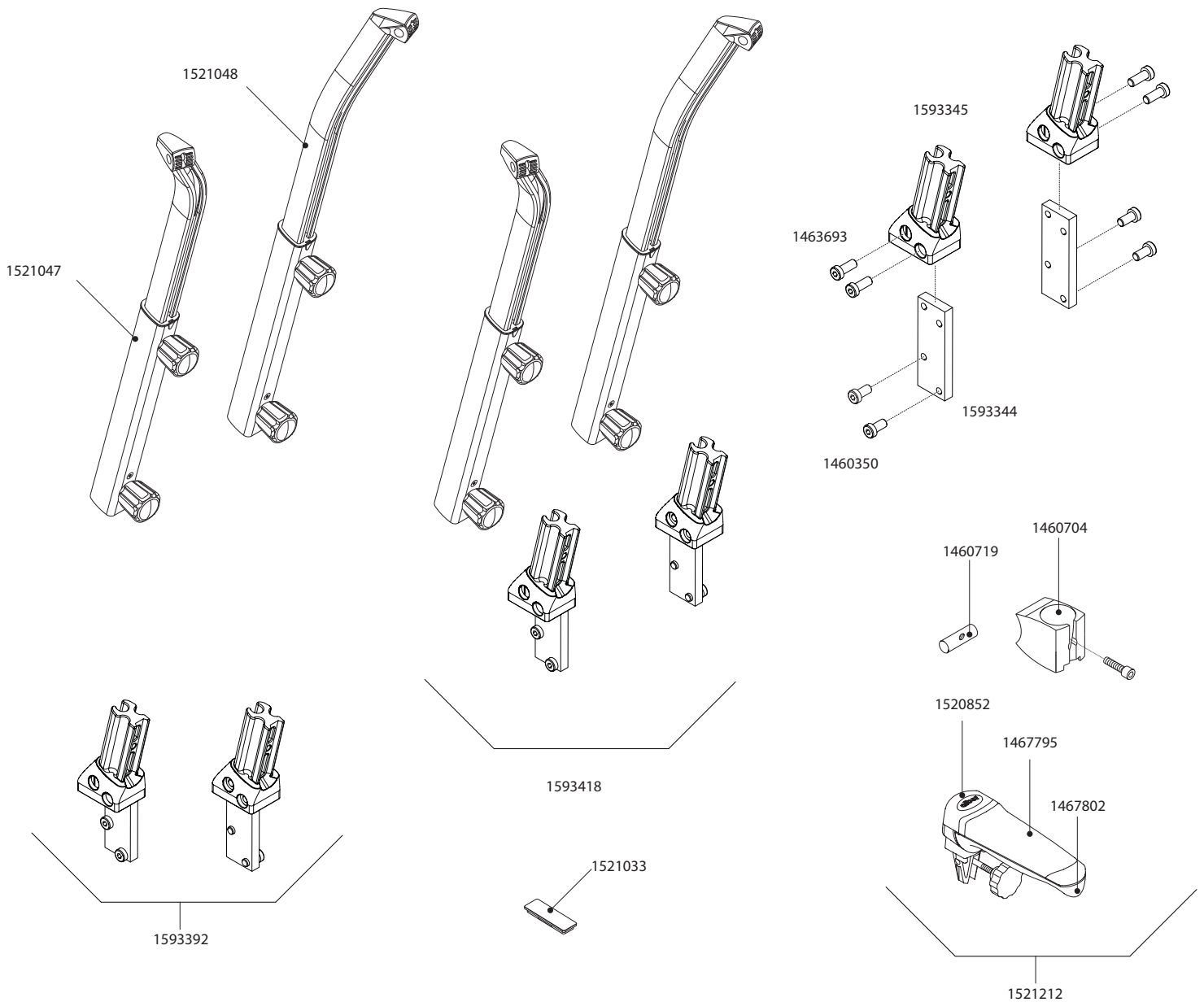
Battery-Pack and Wheel



| Order number | Description | Qty | Net in Eur |
|--------------|--|-----|------------|
| 1521043 | Handle of Battery Pack viamobil V25 complete | pcs | 19,05 |
| 1521429 | Wheel incl. tyre, complete, viamobil V25 | pcs | 168,45 |
| 1521404 | Mounting aid for viamobil V25 | pcs | 37,25 |
| 1520929 | Tipping aid | pcs | 55,00 |

viamobil V25

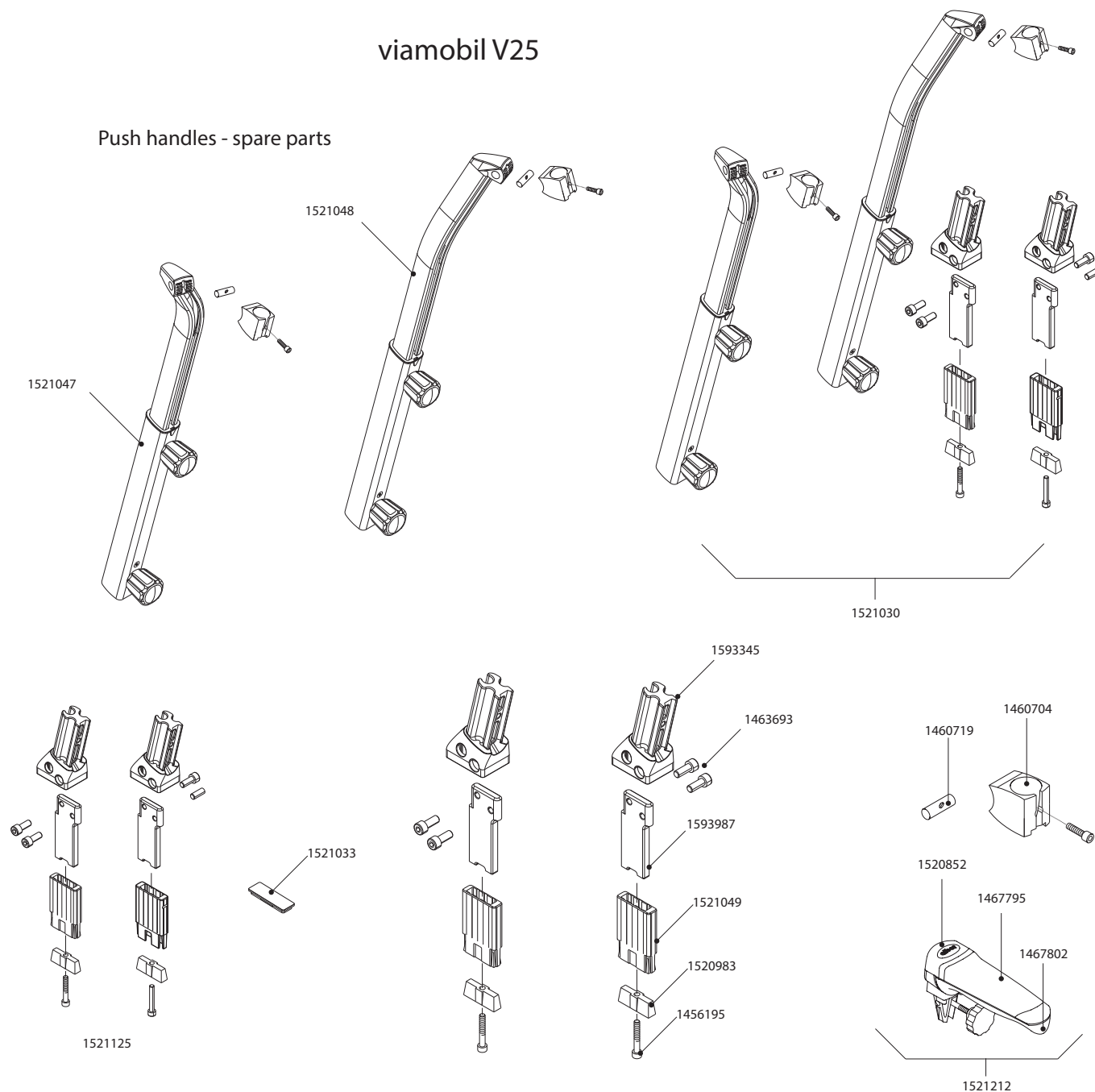
Push handles



| Order number | Description | Qty | Net in Eur |
|--------------|--|-----|------------|
| 1460350 | Cylinder head screw DIN 7984 - M 8 x 16 | pcs | 0,55 |
| 1460704 | Ballcup viamobil | pcs | 16,65 |
| 1460719 | Bolt | pcs | 4,30 |
| 1463693 | screw DIN 7984 - M 8 x 20 - 8.8 vz | pcs | 0,45 |
| 1467795 | Housing handle upper part V25/E25/E26 | pcs | 8,85 |
| 1467802 | Handle lower part V25/E25/E26 | pcs | 4,40 |
| 1520852 | Cover for handle V25/E25 | pcs | 4,75 |
| 1521033 | Cover without opening for push handles viamobil V25 | pcs | 5,75 |
| 1521047 | Extra handle viamobil V25 left | pcs | 82,30 |
| 1521048 | Extra handle viamobil V25 right | pcs | 82,30 |
| 1521212 | Push handle for viamobil V25, e-fix E3 complete | pcs | 53,95 |
| 1593344 | Mounting plate viamobil V25 | pcs | 13,40 |
| 1593345 | Connecting piece for additional pushhandles viamobil V25 | pcs | 62,60 |
| 1593392 | Fixation set for V25 additional push handles (2020) | pcs | 134,25 |
| 1593418 | Additional push handles complete viamobil V25 pair comprising right and left incl. mounting set (2020) | pcs | 179,00 |

viamobil V25

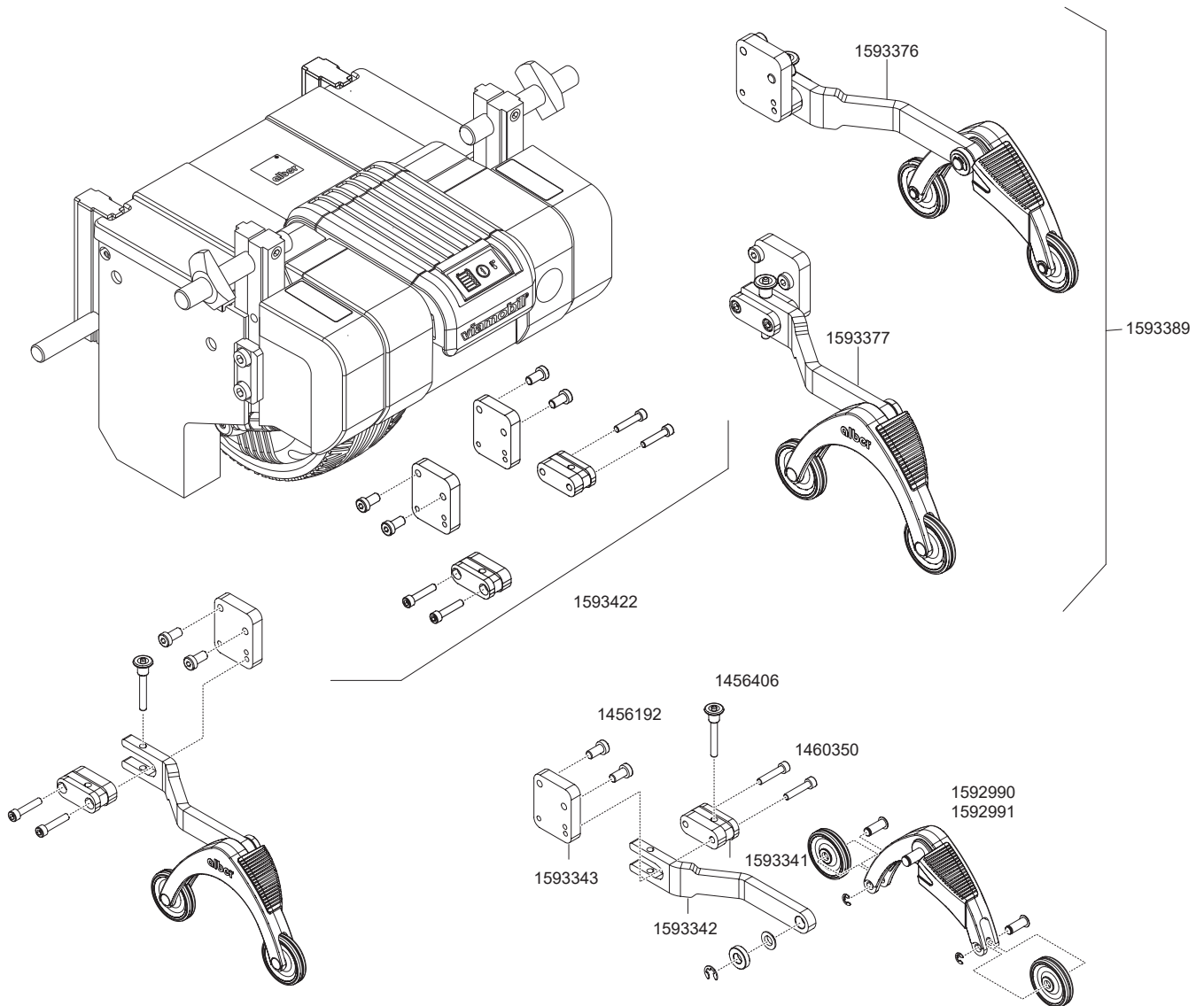
Push handles - spare parts



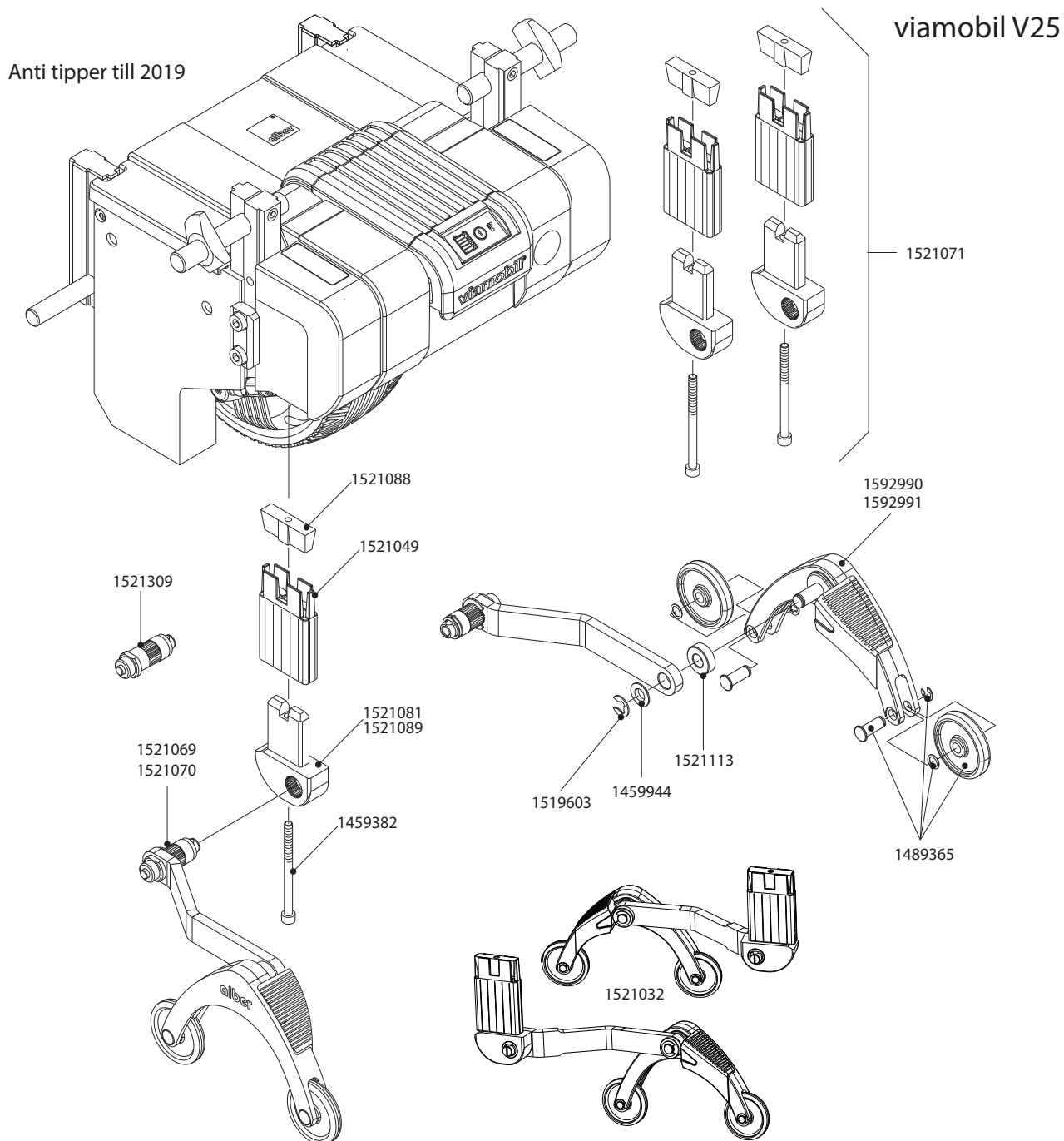
| Order number | Description | Qty | Net in Eur |
|--------------|---|-----|------------|
| 1456195 | Cylinder head screw DIN 912 - M 6 x 45 | pcs | 0,30 |
| 1460704 | Ballcup viamobil | pcs | 16,65 |
| 1460719 | Bolt | pcs | 4,30 |
| 1463693 | screw DIN 7984 - M 8 x 20 - 8.8 vz | pcs | 0,45 |
| 1467795 | Housing handle upper part V25/E25/E26 | pcs | 8,85 |
| 1467802 | Handle lower part V25/E25/E26 | pcs | 4,40 |
| 1520852 | Cover for handle V25/E25 | pcs | 4,75 |
| 1520983 | Wedge | pcs | 23,80 |
| 1521030 | Additional push handles complete viamobil V25 pair comprising right and left incl. mounting set | pcs | 239,00 |
| 1521033 | Cover without opening for push handles viamobil V25 | pcs | 5,75 |
| 1521047 | Extra handle viamobil V25 left | pcs | 82,30 |
| 1521048 | Extra handle viamobil V25 right | pcs | 82,30 |
| 1521049 | Mounting for clamping viamobil V25 | pcs | 9,60 |
| 1521125 | Fixation set for V25 additional push handles | pcs | 163,00 |
| 1521212 | Push handle for viamobil V25, e-fix E3 complete | pcs | 53,95 |
| 1593345 | Connecting piece for additional pushhandles viamobil V25 | pcs | 62,60 |
| 1593987 | Mounting plate viamobil V25 | pcs | 37,80 |

viamobil V25

Anti tipper



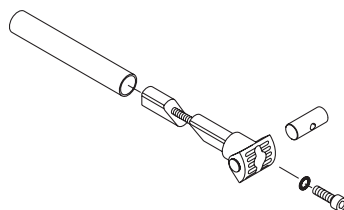
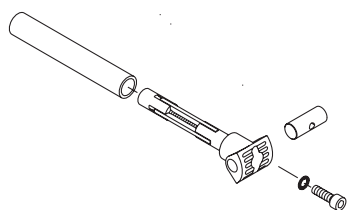
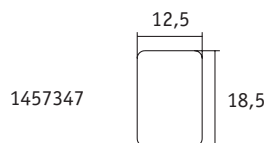
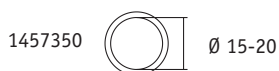
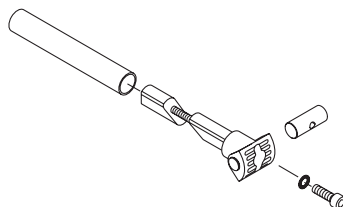
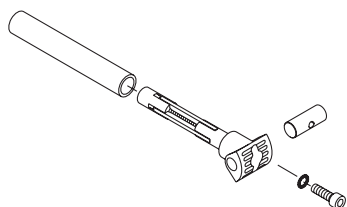
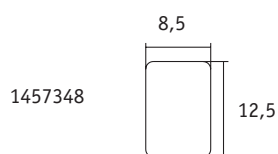
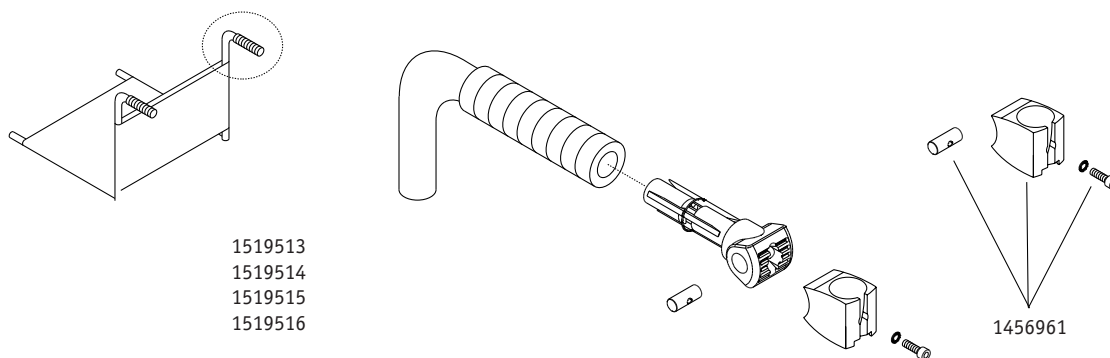
| Order number | Description | Qty | Net in Eur |
|--------------|---|-----|------------|
| 1456192 | Cylinder head screw DIN 912 - M 6 x 30 - 8.8 | pcs | 0,35 |
| 1456406 | Quickpin quick release bolt | pcs | 25,95 |
| 1460350 | Cylinder head screw DIN 7984 - M 8 x 16 | pcs | 0,55 |
| 1592990 | Support angle right for anti-tippers black (without wheels) | pcs | 22,60 |
| 1592991 | Support angle left for anti-tippers (without wheels) | pcs | 22,60 |
| 1593341 | Clamp Anti-Tipper V25 | pcs | 67,60 |
| 1593342 | Bow Anti-tipper V25 | pcs | 16,40 |
| 1593343 | Locking mechanism for Anti-Tipper V25 | pcs | 15,10 |
| 1593376 | Anti-tipper viamobil V25 right (2020) | pcs | 98,50 |
| 1593377 | Anti-tipper viamobil V25 left (2020) | pcs | 98,50 |
| 1593389 | Anti-tippers V25 complete (2020) | pcs | 186,00 |
| 1593422 | Fixation set for two anti-tippers V25 (2020) | pcs | 81,40 |



| Order number | Description | Qty | Net in Eur |
|--------------|---|-----|------------|
| 1459382 | Cylinder head screw DIN 912 - M 6 x 80 - 8.8 | pcs | 1,20 |
| 1459944 | Washer DIN 988 - 10 x 16 x 1 | pcs | 0,05 |
| 1489365 | Wheel for anti-tippers complete | pcs | 2,90 |
| 1519603 | Securing disk DIN 6799-Gr.8 vz | pcs | 0,05 |
| 1521032 | Anti-tippers V25 | pcs | 225,00 |
| 1521049 | Mounting for clamping viamobil V25 | pcs | 9,60 |
| 1521069 | Anti-tipper viamobil V25 left | pcs | 96,10 |
| 1521070 | Anti-tipper viamobil V25 right | pcs | 96,10 |
| 1521071 | Fixation set for two anti-tippers V25 | pcs | 139,70 |
| 1521081 | Locking mechanism for anti-tipper V25 left | pcs | 26,00 |
| 1521088 | Wedge | pcs | 23,80 |
| 1521089 | Locking mechanism for anti-tipper V25 right | pcs | 26,00 |
| 1521113 | Sleeve anti-tipper | pcs | 6,45 |
| 1521309 | Toothed spline for V25 antitipper, assembled | pcs | 49,95 |
| 1592990 | Support angle right for anti-tippers black (without wheels) | pcs | 22,60 |
| 1592991 | Support angle left for anti-tippers (without wheels) | pcs | 22,60 |

viamobil V25

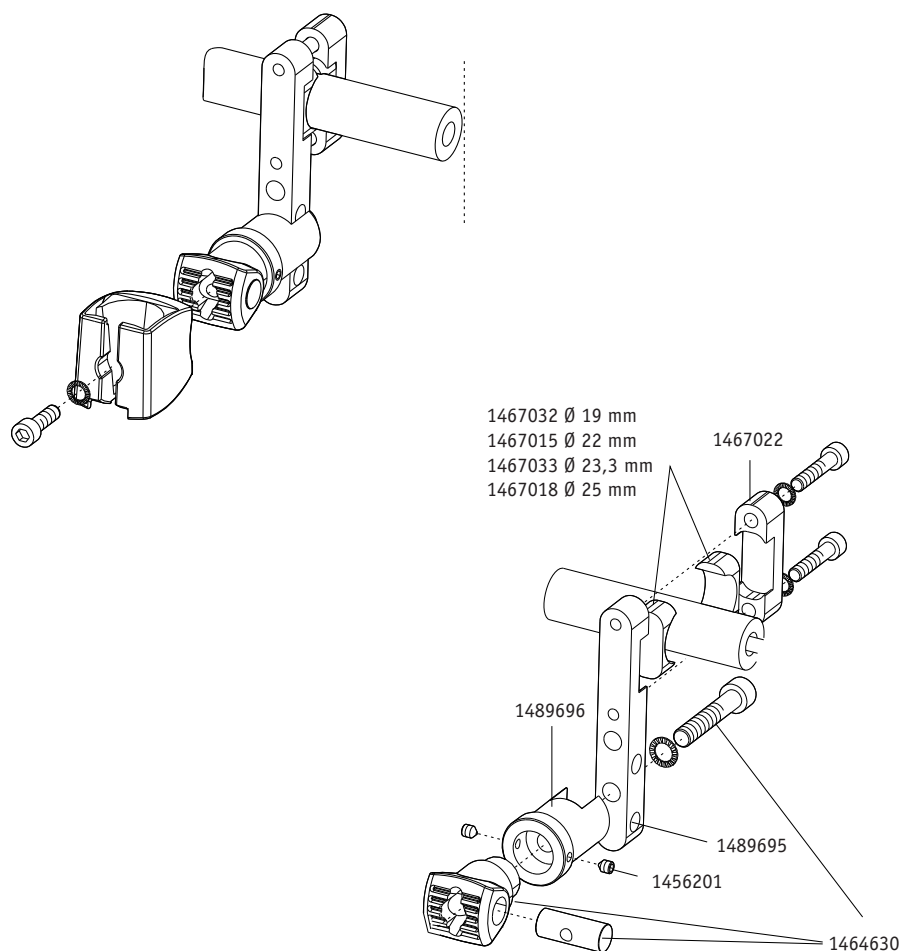
Bracket for control unit on push handles



| Order number | Description | Qty | Net in Eur |
|--------------|---|-----|------------|
| 1456961 | Ballcup fixation complete | pcs | 20,25 |
| 1457347 | Fixation profile 18,5 x 12,5mm complete | pcs | 62,00 |
| 1457348 | Fixation profile 12,5 x 8,5mm complete | pcs | 62,00 |
| 1457349 | Fixation round 12-15mm complete | pcs | 62,00 |
| 1457350 | Fixation round d=15-20mm complete | pcs | 62,00 |
| 1519513 | Bracket for control unit V15 on push handles (pair) | pcs | 139,40 |
| 1519514 | Bracket for control unit V15 on push handles (pair) | pcs | 139,40 |
| 1519515 | Bracket for control unit V15 on push handles (pair) | pcs | 139,40 |
| 1519516 | Bracket for control unit V15 on push handles (pair) | pcs | 139,40 |

viamobil V25

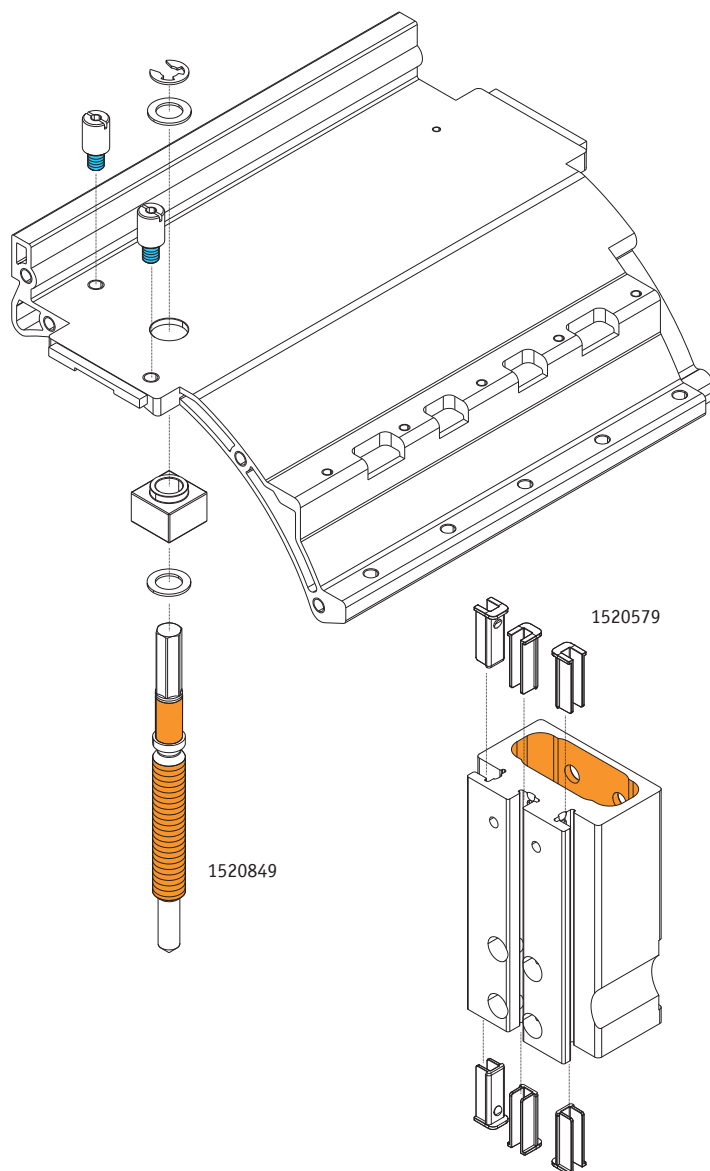
Bracket for control unit cross tube



| Order number | Description | Qty | Net in Eur |
|--------------|--|-----|------------|
| 1456201 | Threaded pin ISO4027 M 5 x 6 | pcs | 1,65 |
| 1464630 | Tube adapter for control unit complete | pcs | 39,65 |
| 1467022 | Clamp colourless anodized | pcs | 28,00 |
| 1489695 | Holder for control unit colourless anodized | pcs | 38,50 |
| 1489696 | Adapter for control unit fixation | pcs | 13,40 |
| 1519508 | Bracket for control unit V15 cross tube D19 mm | pcs | 139,40 |
| 1519509 | Bracket for control unit V15 cross tube D22 mm | pcs | 139,40 |
| 1519510 | Bracket for control unit V15 cross tube D23 mm | pcs | 139,40 |
| 1519511 | Bracket for control unit V15 cross tube D25 mm | pcs | 139,40 |
| 1520027 | Inlet profile 22mm | pcs | 4,10 |
| 1520028 | Inlet profile 23mm | pcs | 4,10 |
| 1520029 | Inlet profile 25mm | pcs | 4,10 |
| 1520030 | Inlet profile 30mm | pcs | 4,10 |
| 1520031 | Inlet profile 19mm | pcs | 4,10 |
| 1520032 | Inlet profile prism | pcs | 4,10 |

viamobil V25

Spindle and slider



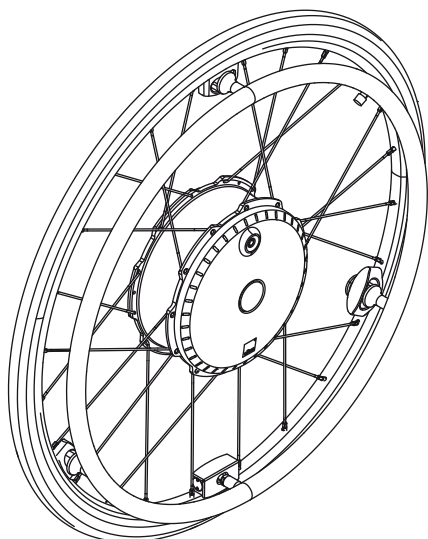
| Order number | Description | Qty | Net in Eur |
|--------------|-------------|-----|------------|
| 1520579 | Slider | pcs | 4,05 |
| 1520849 | Spindle | pcs | 17,55 |

twion

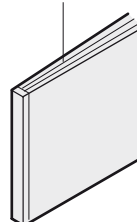
| | |
|--------------|-----|
| twion T24 | 278 |
| Components | 278 |
| Drive wheel | 279 |
| Pushrim | 280 |
| Bracket | 281 |
| Anti tippers | 282 |

twion T24

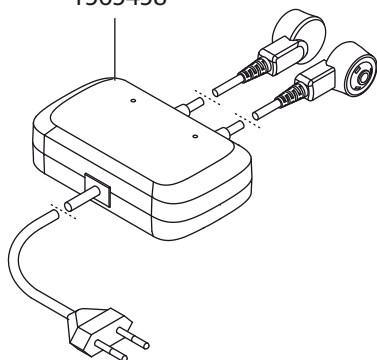
Components



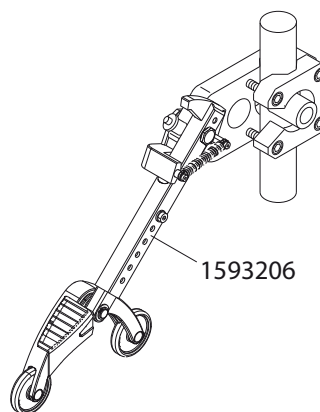
1565856
1565857



1565458



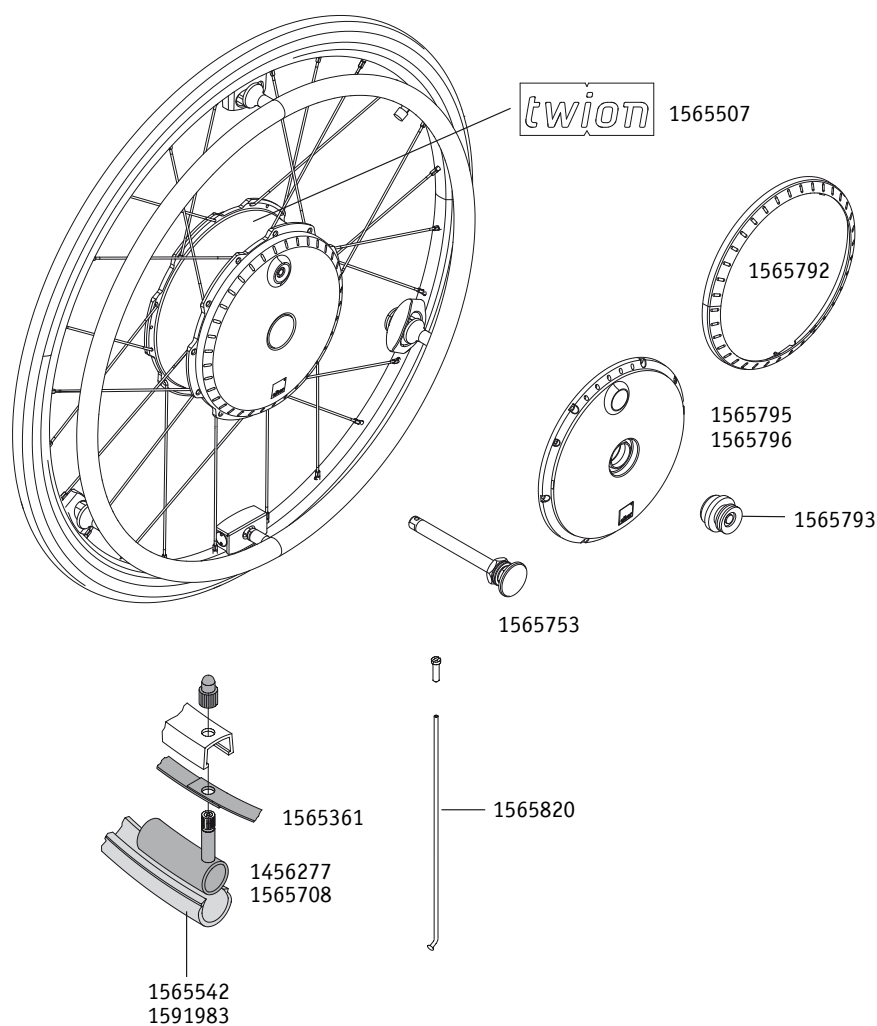
1593206



| Order number | Description | Qty | Net in Eur |
|--------------|---|-----|------------|
| 1565458 | Charger twion M24 PS4510 | pcs | 267,50 |
| 1565856 | Documentation Kit twion M24 german | pcs | 19,25 |
| 1565857 | Documentation Kit twion M24 multilingual | pcs | 31,95 |
| 1593206 | Anti-tippers with jack-up function black (pair) | pcs | 265,00 |

twion T24

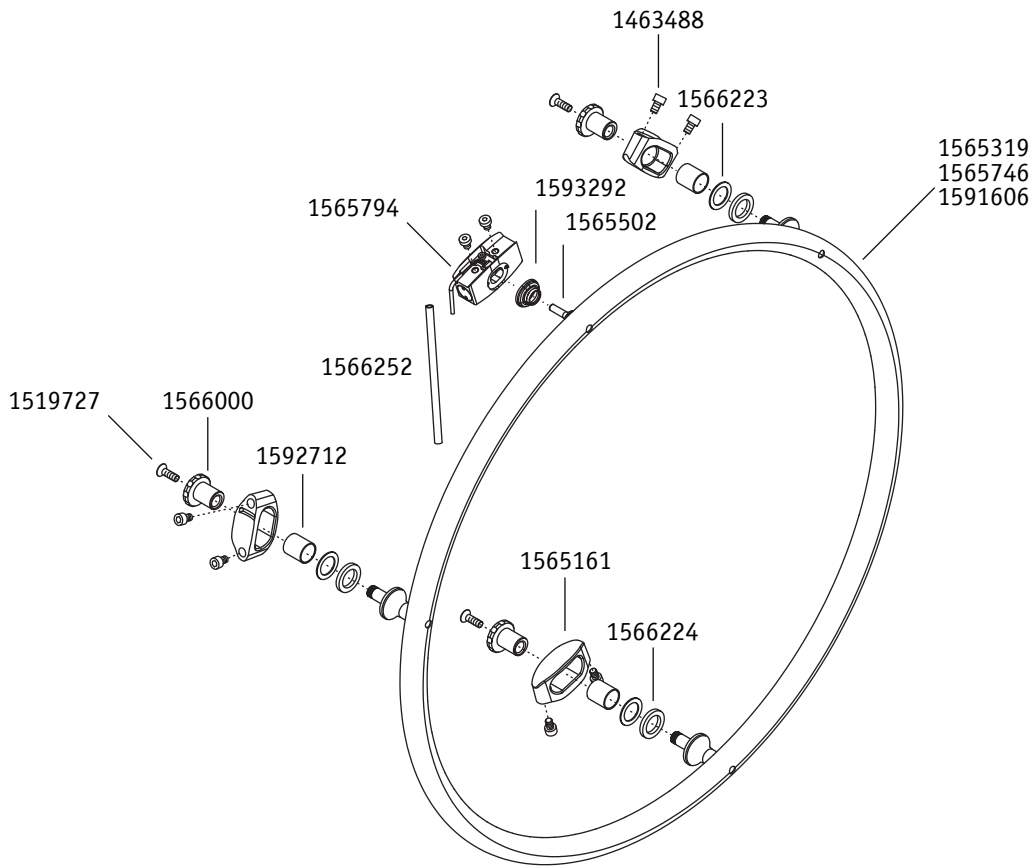
Drive wheel



| Order number | Description | Qty | Net in Eur |
|--------------|---|-----|------------|
| 1456277 | Tube 24 x 1" Schrader valve | pcs | 12,20 |
| 1565361 | Rim tape 22-559 | pcs | 7,20 |
| 1565455 | O-Ring 20 x 2 FPM 80 | pcs | 1,6 |
| 1565507 | Sticker twion | pcs | 24,25 |
| 1565542 | Tyre Marathon Plus 25-540 (24 x 1") black | pcs | 47,45 |
| 1565708 | Tube (airless) 24" x 1.3/8" | pcs | 88,55 |
| 1565753 | Stub axle twion stainless steal | pcs | 47,10 |
| 1565792 | Outer ring black preassembled | pcs | 32,65 |
| 1565793 | Charger socket mounted | pcs | 54,85 |
| 1565795 | Cover twion black for wheel hub complete | pcs | 46,95 |
| 1565796 | Cover twion white for wheel hub complete | pcs | 42,15 |
| 1565820 | Spoke set twion M24 5 spokes + nipples | pcs | 24,75 |
| 1591983 | Tyre puncture proof 24" x1 3/8" | pcs | 23,55 |

twion T24

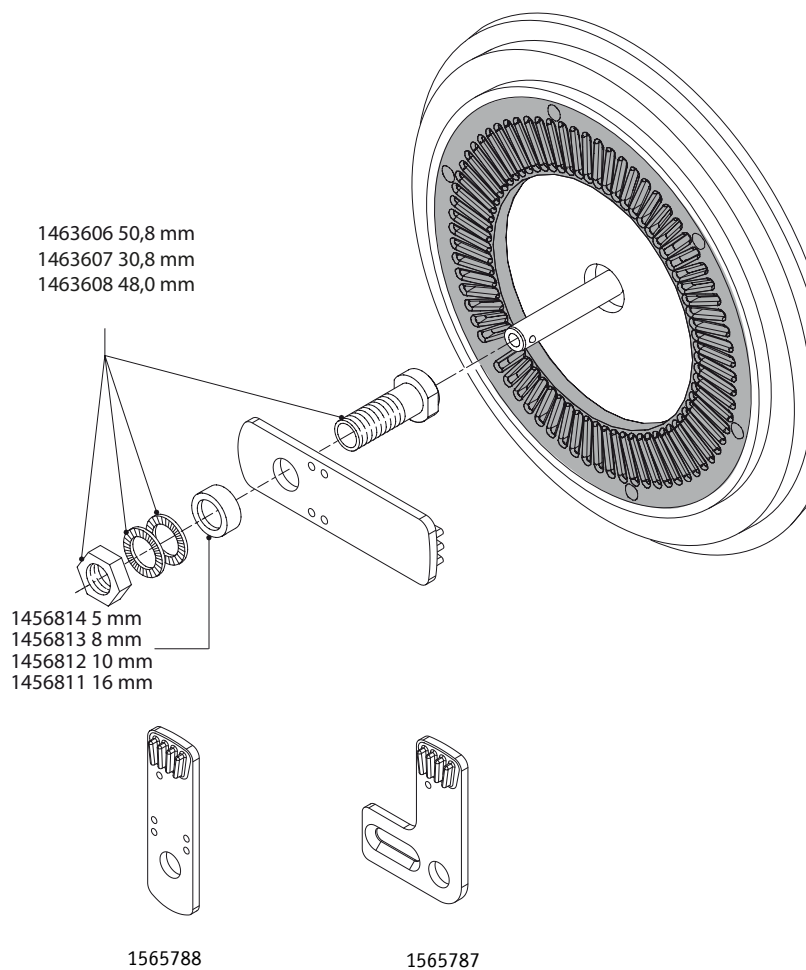
Pushrim



| Order number | Description | Qty | Net in Eur |
|--------------|---|-----|------------|
| 1463488 | Cylinder head screw DIN 7984 - M 5 x 6 - 8.8 | pcs | 0,35 |
| 1565161 | Bracket for pushrim twion | pcs | 27,00 |
| 1565319 | Push rim twion, aluminium powder-coated black | pcs | 170,55 |
| 1565502 | Sensor Pin | pcs | 9,70 |
| 1565746 | Push rim twion, stainless steel | pcs | 168,05 |
| 1565794 | Sensor twion complete | pcs | 195,20 |
| 1566000 | Eccentric bush for push rim twion | pcs | 10,60 |
| 1566223 | Thrust washer iglidur G GTM-1522-008 | pcs | 0,05 |
| 1566224 | Elastomer ring twion | pcs | 1,80 |
| 1566252 | Protection tube for sensor cable | pcs | 1,40 |
| 1593292 | Protective hose for sensor | pcs | 13,05 |
| 1591606 | Pushrim Curve L | pcs | 228,80 |
| 1592712 | Socket for push rim D 16,2 twion | pcs | 10,85 |

twion T24

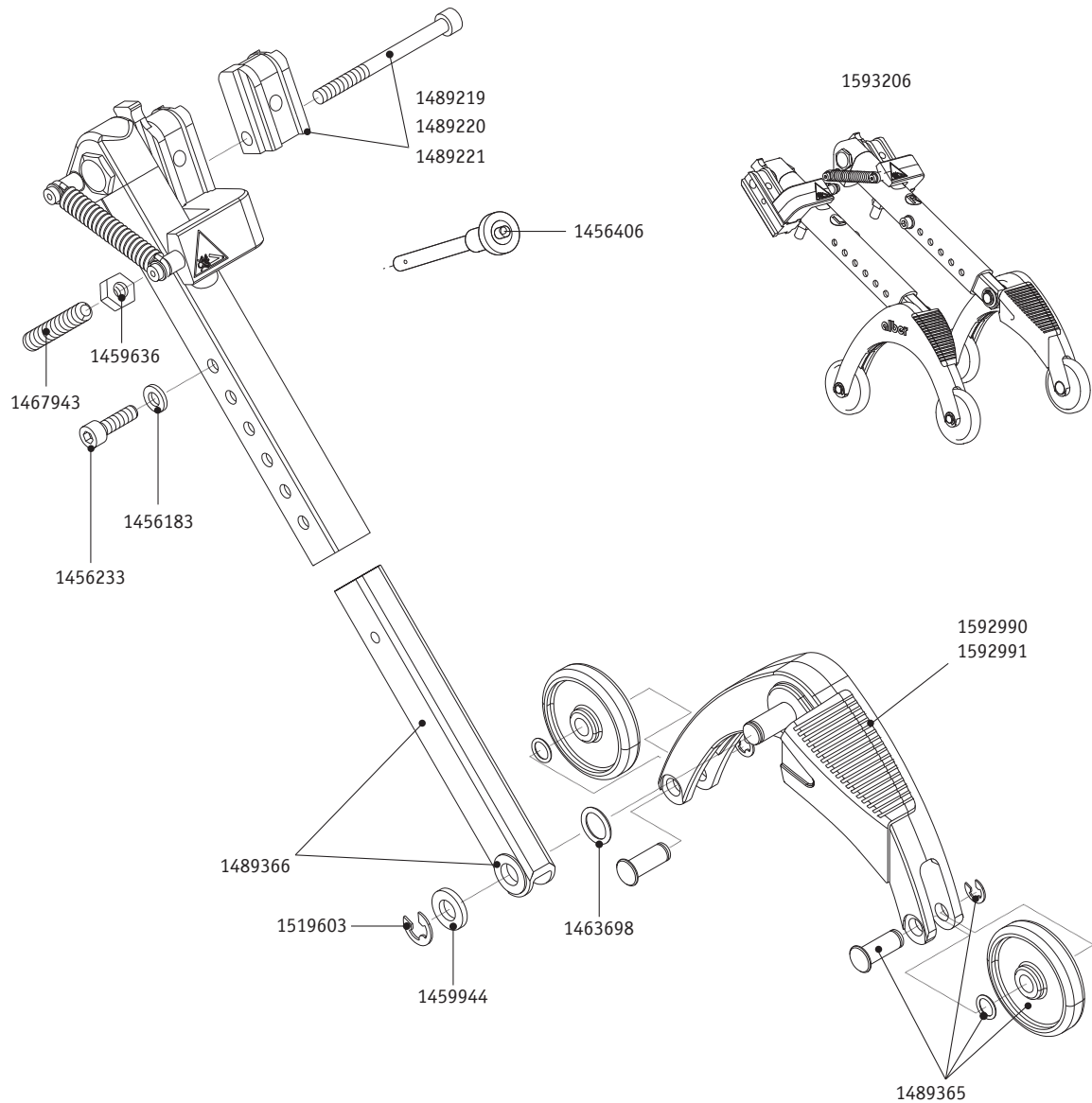
Bracket



| Order number | Description | Qty | Net in Eur |
|--------------|--|-----|------------|
| 1456811 | Spacer ring aluminium 25 x 17 x 16 long | pcs | 1,25 |
| 1456812 | Spacer ring aluminium 25 x 17 x 10 long | pcs | 1,25 |
| 1456813 | Spacer ring aluminium 25 x 17 x 8 long | pcs | 1,25 |
| 1456814 | Spacer ring aluminium 25 x 17 x 5 long | pcs | 1,25 |
| 1463606 | Adapter sleeve 1/2" Length 50.8mm inclusive Nord-Lock washer and nut | pcs | 16,90 |
| 1463608 | Adapter sleeve 1/2" Length 48.0mm inclusive Nord-Lock washer and nut | pcs | 16,90 |
| 1565787 | Torque receiver twion/emotion M25 with angle (pair) | pcs | 38,00 |
| 1565788 | Torque receiver twion/emotion M25 straight (pair) | pcs | 38,00 |

twion T24

Anti tipper



| Order number | Description | Qty | Net in Eur |
|--------------|--|-----|------------|
| 1456183 | Washer DIN 125 - A 6,4 | pcs | 0,05 |
| 1456233 | Cylinder head screw M 6 x 20 | pcs | 0,25 |
| 1456406 | Quickpin quick release bolt | pcs | 25,95 |
| 1459636 | Hexagon nut ISO 4032 - M8 vz | pcs | 0,10 |
| 1459944 | Washer DIN 988 - 10 x 16 x 1 | pcs | 0,05 |
| 1463698 | Fitting disk DIN 988 - 10 x 16 x 0,3 - St | pcs | 0,20 |
| 1467811 | Friction bearing Igus form F GFM-1212-035 | pcs | 1,35 |
| 1467943 | Threaded pin M 8 x 45 DIN 913 - 45 H | pcs | 0,60 |
| 1489221 | Fixation set for anti-tippers expanded version 4 x 12mm shoe inc. screws | pcs | 54,60 |
| 1489366 | Slide rod anti-tippers mounted | pcs | 25,00 |
| 1519603 | Securing disk DIN 6799-Gr.8 vz | pcs | 0,05 |
| 1592990 | Support angle right for anti-tippers black (without wheels) | pcs | 22,60 |
| 1592991 | Support angle left for anti-tippers (without wheels) | pcs | 22,60 |
| 1593206 | Anti-tippers with jack-up function black (pair) | pcs | 265,00 |



General Terms and Conditions

General sales and payment conditions, version Jan. 01, 2026.

Alber GmbH
Vor dem Weißen Stein 14
72461 Albstadt, Germany

1. General Validity

The following general terms and conditions for sales and payment apply for all deliveries and services provided by Alber GmbH ("Alber"), unless otherwise agreed in writing by both parties. Any conflicting terms and conditions of the buyer for order forms, order confirmations, etc. will only apply to Alber, if these were agreed upon in writing.

2. Written Form

Oral agreements will only apply, once they have been confirmed in writing, whereby the written confirmation can also be sent by e-mail or via electronic signatures.

3. Offer and Contractual Agreement

Oral agreements require a written confirmation to be legally valid, the content of which is exclusively authoritative for the contractual relationship. Prices for accepted orders are fixed, but Alber reserves the right to add a reasonable sum in case of unexpected increases in wage, freight or tax costs, and in case of price increases of subcontractors. Prices are always ex works, plus relevant VAT costs and expenses.

4. Delivery Terms, Default, Obligations

4.1. Delivery terms indicated by Alber commence, once all technical questions within the scope of contract have been resolved. The buyer is obligated to accept sold goods. Alber reserves the right to claim damages, should the buyer default the acceptance of sold goods. Alber's right to claim additional expenditures remains unaffected.

4.2. Upon failure to observe agreed deadlines, the buyer will only be able to withdraw from a contract, if Alber can be faulted for the delay, and if the buyer has allowed for reasonable time period in writing for Alber to complete the delivery.

4.3. Indemnity claims on the part of the buyer are limited to stipulations laid out under section 11.

5. Shipment

All shipments are carried out ex works; incl. packaging and freight collect. Once the sold goods have been handed over to the haulier or forwarding agent, but latest at departure ex works, the risk of accidental perishing, accidental deterioration, and the risk of confiscation is transferred from the seller to the buyer. FOB or CIF deals require agreement in writing. The choice of transport route and transport medium falls under the discretion of Alber, where no special agreement exists, without having the obligation to utilise the cheapest and / or fastest freight option.

6. Warranty

Where the buyer is a consumer as stipulated in §13 BGB (German Civil Code), legal warranty claims apply, which means that the following provisions with the exemption of section 6.3 and 6.4 do not apply. Where the buyer is a legal entity as stipulated in §14 BGB (German Civil Code), the following provisions apply. Apart from Section 6.2. (obligation to give notice of defects), 6.3. and 6.4. however, this does not apply if the purchaser takes recourse to Alber or recourse is taken to the purchaser correspondingly because of claims by a consumer in the meaning of §13 GSS (supply chain, in the meaning of §478 Sec. 5 GSS). In these cases, Alber is obliged to fulfil the consumer's claim for subsequent performance by providing its own customer service or by a new delivery; in return, the buyer is obliged to first give Alber the opportunity to fulfil the consumer's claim for subsequent performance itself.

6.1. Alber guarantees that the merchandise delivered by the company is free from defects at the time of transfer. These warranty claims expire 24 months after delivery of the merchandise. If the object delivered by Alber is defective at the time of transfer, the purchaser has a right to subsequent improvement and delivery (re-performance), rescission and reduction within the limitation period of warranty claims ("warranty period"). A right to rescission or reduction can only be claimed by the purchaser if he has previously set Alber a suitable deadline for re-performance unsuccessfully or re-performance failed. The warranty is excluded in the event of a considerable reduction in the value and functionality of the object delivered. Within the scope of later fulfillment, Alber reserves the right to either repair the defect (re-performance) according to its own choice, or replace the complete object of the contract, or parts thereof (subsequent delivery).

If, in the event of an existing defect, Alber has chosen to repair the defect through re-performance, the purchaser is obliged to provide Alber with three chances to repair the defect irrespective of the type of defect, unless this would prove unviable for the purchaser according to the circumstances. In the event of substitution or replacement, the defective parts are transferred into the ownership of Alber. If the re-performance or replacement fails, the purchaser has the right to demand a reduction (decrease) in payment or the cancellation of the contract (rescission) according to its own choice. This is possible without a new deadline being set. The purchaser has no right to claim further re-performance in this case, however. The purchaser has no right to eliminate the defect himself by way of providing a replacement.

6.2. In accordance with §377 of the German Code of Commercial Law, the purchaser shall inspect the merchandise sold to him immediately on receipt, and if a defect is identified, notify Alber immediately

or within 14 days of receiving the merchandise at the latest. If the purchaser fails to notify Alber, the merchandise is taken as being approved and warranty claims are excluded, expect, in the cases where a defect exists that could not be identified during the inspection. If a defect shows up later, the notification must take place immediately, or at the latest 14 days after the discovery has been made, otherwise the merchandise is taken as being approved and warranty claims are insofar excluded. The notification of defect must be done in writing in each case and the defect described. The date on which the notification is received by Alber is decisive for keeping the term.

6.3. Alber is only liable for the flawlessness of the goods delivered by it in their original condition ("original goods"). If the purchaser or a third-party makes changes to these original goods, irrespective of the type, all warranty claims are excluded, unless it can be determined without doubt that the existing defect has no relation to the change made. Warranty claims do not exist for damages that occur due to natural wear, incorrect treatment or the use of unsuitable materials.

6.4. The purchaser receives detailed operating instructions with the delivery of the object sold. The purchaser is committed to read these instructions thoroughly prior to initial use and take them into account during each use. All warranty claims are excluded if the defect or complaint is based on incorrect handling of the object sold. Should the purchaser have questions regarding the handling despite having studied the operating instructions, he should address these to Alber in writing.

6.5. Indemnity claims are limited to stipulations laid out under section 11.

7. Durability warranty

7.1. Notwithstanding the warranty claims from Section 6, Alber basically provides a 24-month durability warranty for new products. A durability warranty of twelve months applies to lead-gel-batteries and of 24 months to lithium-ion-batteries. The beneficiary of this warranty claim is only the purchaser of the Alber product. The type and scope of the durability warranty are limited to the stipulations under Section 7.2. - 7.9.

7.2. The durability warranty does not include a) devices with changed, disfigured or removed serial numbers. b) wearing parts, i.e. brake linings, tyres or control elements. c) defects due to natural wear, mistreatment, in particular where such defects were caused by disregarding the operating instructions, accidents, damage due to negligence, fire or water damage, force majeure, and any other causes outside the control of Alber (including wrong voltage connection, utilisation of improper overload-switches, interference with the device by persons not authorized by Alber, improper installation or refitting of the device). d) maintenance works required due to daily use (i.e. replacement of fuses, adjustment of chains). e) checking the device without finding any fault.

7.3. The warranty period begins with the day of the transfer of the device to the purchaser and is basically 24 months.

7.4. In accordance with §377 of the German Code of Commercial Law, the purchaser shall inspect the merchandise sold to him immediately on receipt, and if a defect is identified, notify Alber immediately or within 14 days of receiving the merchandise at the latest. If the purchaser fails to notify Alber, the merchandise is taken as being approved and warranty claims are excluded, expect, in the cases where a defect exists that could not be identified during the inspection. If a defect shows up later, the notification must take place immediately, or at the latest 14 days after the discovery has been made, otherwise the merchandise is taken as being approved and warranty claims are insofar excluded. The notification of defect must be done in writing in each case and the defect described. The date on which the notification is received by Alber is decisive for keeping the term.

7.5. Durability warranty claims are limited to the stipulations under Section 6.1.

7.6. The provision of warranty services does not extend the warranty period. The warranty period for parts that are replaced or for which re-performance takes place within the scope of the warranty, expires for the repaired device at the end of the period of warranty.

7.7. Indemnity claims are limited to stipulations laid out under section 11.

7.8. Durability warranty claims expire at the end of the 24-month warranty period, for batteries at the end of 24-month respectively 12-month warranty period.

8. Repairs, accessories and replacement parts

8.1. Does the company carry out repairs that are not free of charge in the meaning of eliminating defects in accordance with Section 6.1., the warranty period for the repair works are 12 months.

8.2. Notwithstanding the warranty claims from Section 6, Alber basically provides six-month durability warranty for repairs. The type and scope of the durability warranty are limited to the stipulations under Section 7.2. - 7.9.

8.3. The accessories and replacement parts supplied by Alber are safety-critical goods which require training by Alber for attaching and fitting them. If neither the purchaser, nor one of its employees have participated to the required extent in the training required for the extension, modification, repair or maintenance of the medical devices, accessories or replacement parts supplied by Alber, Sections 8.4. - 8.6. apply.

8.4. Warranty claims for the accessories and replacement parts expire twelve months after delivery of the goods.

8.5. The durability warrantee described in Section 7 does not apply to the accessories and replacement parts supplied.

8.6. The purchaser is committed to release Alber in full against all third-party claims, particularly indemnity claims pertaining to product liability or medical device legislation, that occur from extension, modification, repair or maintenance.

9. Terms of Payment

9.1. If the parties have not agreed payment terms with a different nomenclature in writing, the purchaser enters into default if he fails to pay the purchase price within 30 days after issuing an invoice by Alber (invoice date). The payment of the purchase price shall take place exclusively by bank transfer into the business account of Alber GmbH. A 2% cash discount applies in the event of payment by credit transfer within ten days of the invoice date. The payment shall be considered to have taken place once Alber can freely dispose of the payment amount.

9.2. Should the purchaser enter default with the payment, Alber has the right to demand default interest at a rate of eight percentage points per annum above the base interest rate (cf. §247/247 GCC) in accordance with §288 Section 12 GSS. Any further claims for damages by Alber remain unaffected by this.

9.3. If the purchaser fails to meet contractual obligations more than temporarily, or if attempts at garnishment by Alber remain unsuccessful, Alber has the right to postpone all further deliveries and only perform further deliveries against advance payment or assignment of securities of value, that also cover process costs and buy back cheques accepted at the cost of the purchaser or otherwise withdraw them from circulation. Further rights of Alber, those from §321 GSS, remain unaffected. A netting or the assertion of a retention right by the purchaser due to not legally established counter claims or counter claims not recognised by Alber is excluded.

10. Reservation of Title

10.1. The objects sold by Alber remain the property of Alber until full payment of all receivables pertaining to the business transaction with the purchaser has been made. If a third-party asserts a claim to the objects, the purchaser shall inform the third-party expressly of Alber's pre-existing ownership rights and notify Alber immediately.

10.2. In the event of non-payment, and notwithstanding all other rights and claims, Alber has the right to make use of its retention of title and demand the return of the object(s).

10.3. The retraction and the garnishment of the objects by Alber does not constitute rescission from the contract, unless Alber has declared this expressly in writing.

10.4. The purchaser has the right to sell the objects subject to reservation of title within the scope of an orderly business transaction as long as it is not at default in payment. Garnishment, assignment as security, leasing, lending or any other transfer to third parties is prohibited. The purchaser cedes to the full extent now to Alber for security reasons the claims that result from further sale or any other legal reason (i.e. insurance, prohibited actions) with respect to merchandise subject to reservation of title. Revocably, Alber empowers the purchaser to collect in its own name claims ceded to Alber for their own account. The direct debit authorization can be withdrawn by Alber at any time, and certainly I the event that the purchaser is at default on its payment to Alber.

10.5. The processing or remodelling of the objects purchased from Alber by the purchaser shall always take place on behalf of Alber. If the merchandise is processed using other objects which are not the property of Alber, Alber acquires the joint ownership of the new object in a ratio of the value of the object purchased (total invoice sum incl. VAT) to the other processed objects at the time of processing. The same applies to the object that results from processing as does to the objects supplied under reserve.

10.6. If the merchandise sold by Alber is missed with other items which are not the property of Alber, Alber acquires joint ownership of the new object in proportion to the value of the purchased object (total invoice sum incl. VAT) to the other mixed items at the time of mixing. If blending takes place in such a way that the purchaser's object to be seen to be the main component, the purchaser transfers proportion co-ownership of the object to Alber now. The purchaser safeguards the newly created object for Alber.

10.7. Alber undertakes to release the collateral due to it at the request of the purchaser insofar as the realisable value of the collateral exceeds the claims to be secured by more than 10 percent; the selection

of the collateral to be released is the responsibility of Alber.

11. Indemnity claims

For indemnity claims arising from both contract and tort, Alber remains liable to the full extent under law for the intent and gross negligence of its legal representatives and senior managers. In the event of intent or gross negligence by another vicarious agent, Alber remains liable for typically predictable damages. Alber only remains liable for typically predictable damages, even in the event of slightly negligent violation of key contractual obligations. Alber is not liable for slight negligence in the event of non-key contractual obligations being violated. However, Alber remains liable to the full extent for all damages arising from death, physical injury or health based upon negligent or intentional violation of obligations by Alber, its legal representatives or their vicarious agents. The liability limitation stated above also applies to the benefit of Alber employees. Liability according to the product liability legislation and on adopting a warranty remains unaffected by this.

12. Place of fulfilment and jurisdiction
Place of fulfilment is Albstadt. Jurisdiction for all claims and counterclaims against Alber is Albstadt. The claims by Alber against the purchaser can be made in Albstadt as jurisdiction or at any other legally permissible jurisdiction. The purchaser does not have the right to assert documentary action against Alber. The German law applies exclusively to the contractual relationship. However, the application of the Vienna UN Convention on Contracts of the International Sale of Goods (UN sales law, CISG) is excluded.

13. Data protection

Within the scope of instructing the end-users, the purchaser will record their personal data due to the confirmation of instruction included with the new product and transfer this data to Alber. The processing of personal data is carried out in accordance with the provisions of the GDPR. Further information can be found in our data protection declaration and the separate agreement on commissioned data processing in accordance with the DSGVO. The names of the purchaser's employees trained by Alber are saved electronically for the purpose of conducting the training and will not be passed on to third parties.

14. Manufacturer's liability and conformity
If, regarding Alber products or product combinations, custom-made products are manufactured according to the definition in the MDR (Medical Devices Regulation 2017/745) Article 2 Section 3, the requirements for custom-made products according to Attachment XIII of the MDR must be followed. The person who manufactures the custom-made products thus becomes the manufacturer with the meaning of the MDR and is therefore also subject to the product liability law. In the case of custom-made products, the buyer undertakes to maintain the documentation in accordance with the requirements of the MDR and to make it available to Alber on request. On our website "Dealer Information Pool" (DIP) at the web address <https://dip.alber.de/en/home.html> shows the wheelchairs that can be combined. The wheelchairs that can be configured there have undergone a conformity assessment test in accordance with the MDR with regard to the combination with the corresponding Alber add-on drive and have been approved for combination. The product liability on the part of Alber for product defects is excluded in the following cases, where: a) the purchaser makes a product combination with a wheelchair that is not included in the DIP's configurator (Dealer Information Pool) or not configurable, or b) the purchaser does not use original bracket parts from Alber, or c) the purchaser does not follow the instructions provided when combining the products, or d) the purchaser does not follow the installation instructions provided by Alber, or e) the fault in the product combination or the implementation thereof is attributable to the purchaser, or f) the purchaser is not authorized by Alber to perform the product combination, or g) the maintenance intervals detailed in the operating instructions are not complied with.

If claims are asserted against Alber by third parties in such cases, Alber may demand indemnification from the purchaser in this respect.

15. General information

If individual provisions of the General Sales and Payment Conditions stated above are void or non-binding for any reason, the validity and bindingness of the remaining provisions remain unaffected. The parties to the contract shall replace or supplement the void or non-binding stipulations with ones that correspond to the intended commercial purpose to the greatest extent.



Alber GmbH

Vor dem Weißen Stein 14
72461 Albstadt, Germany
Phone +49 07432 2006-0
info@alber.de

www.alber.de