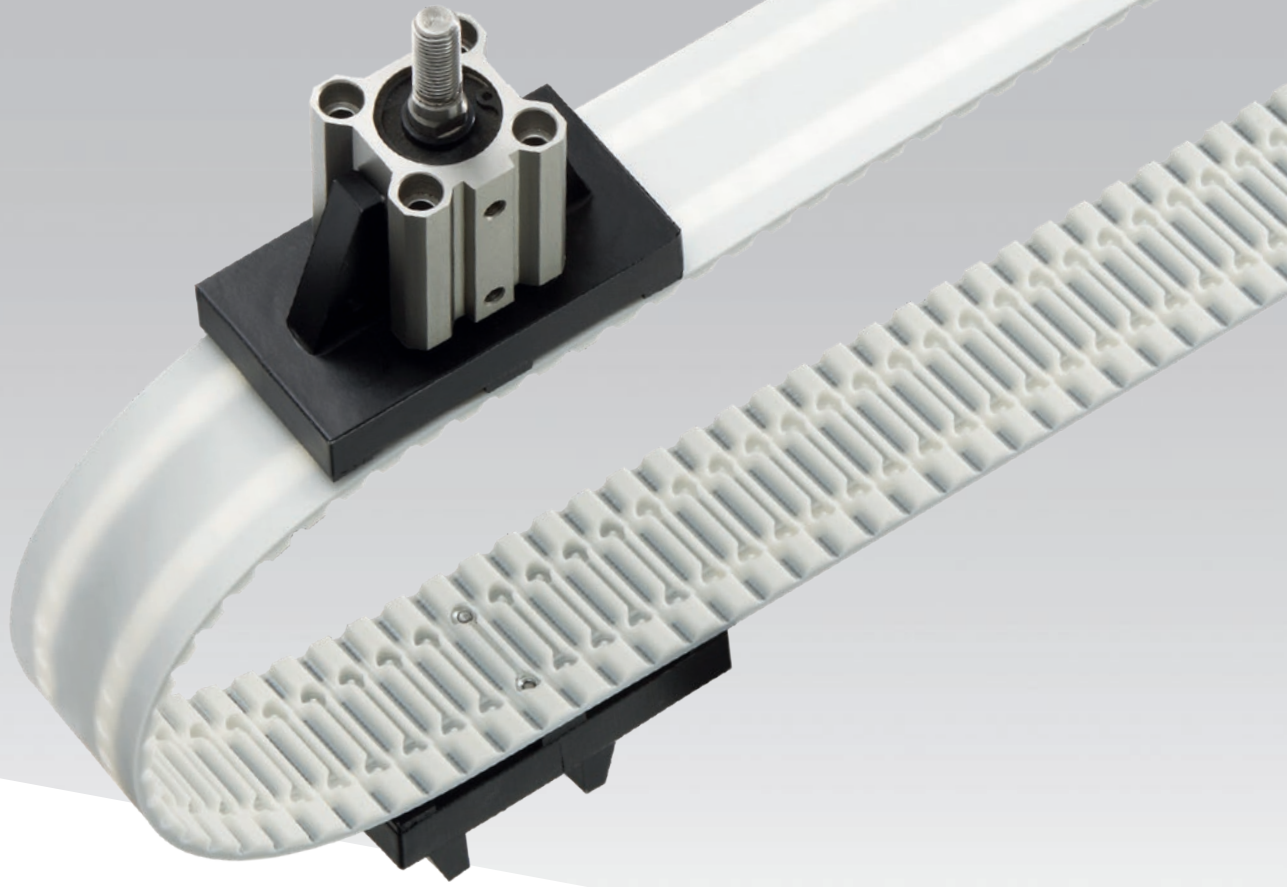




optibelt **MODULAR CLEAT SYSTEM**
NEW UNRIVALLED
VERSATILITY

www.optibelt.com/material-handling



optibelt **MODULAR CLEAT SYSTEM**

**POLYURETHANE TIMING BELT
WITH ADVANCED INSERT SYSTEM**



WHY optibelt MODULAR CLEAT SYSTEM?

YOUR ADVANTAGES



FLEXIBILITY

Positioning of components over any tooth possible



VERSATILITY

Individual design of geometry and choice of material



AVAILABILITY

Ready for use from stock in the shortest possible time – quick and easy on-site assembly possible



STRENGTH

Extremely high tear resistance thanks to patented system solution

CLASSIC APPLICATION



REPLACEMENT FOR BELTS WITH FALSE TEETH

- Availability
- On-site adjustment option



REPLACEMENT FOR BELTS WITH WELDED PROFILES

- Availability
- Reusability of cleats
- More wear-resistant cleats
- Offset adjustment to tooth center via cleats possible

BELT DESIGN



OPEN-ENDED



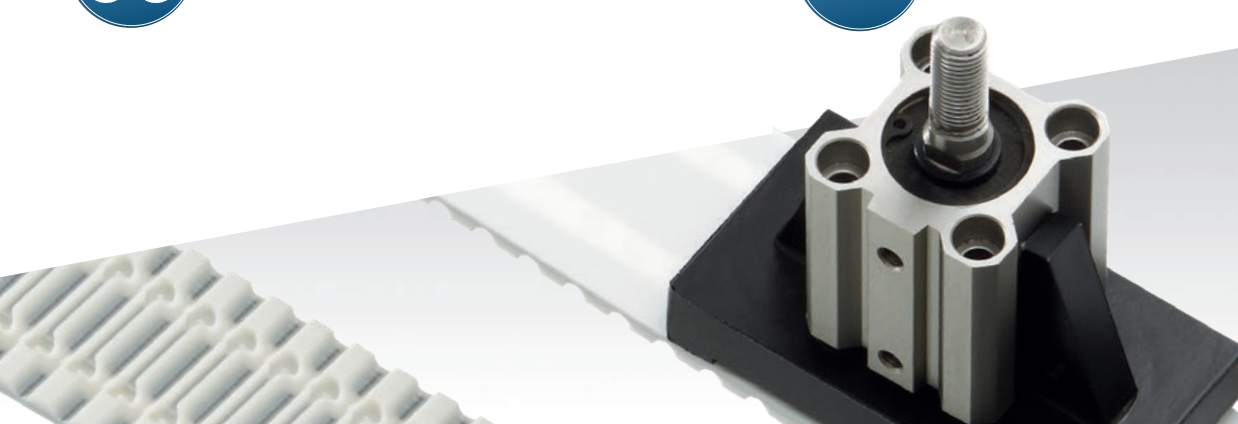
ENDLESS, ASSEMBLED WITH MECHANICAL JOINT SYSTEM



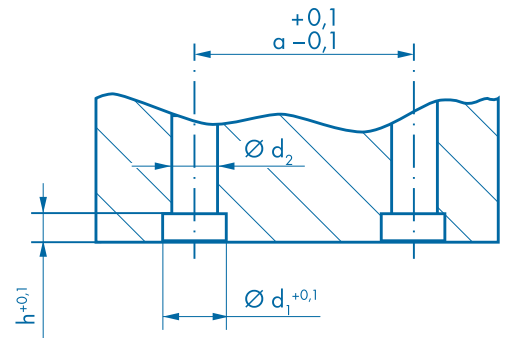
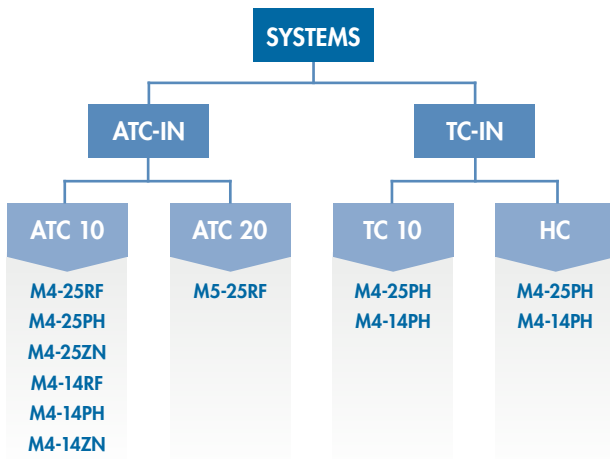
WELDED ENDLESS



TRULY ENDLESS



PROFILES



Insert Type	Recommended torque [Nm]	Material	Price	Strength
M4-25RF	1,6	1.4308	100%	100%
M4-25PH	1,6	17-4PH (RF)	60%	80%
M4-25ZN	0,8 ¹	ZPO410	30%	≈25%
M4-14RF	1,6	1.4308	100%	100%
M4-14PH	1,6	17-4PH (RF)	60%	80%
M4-14ZN	0,8 ¹	ZPO410	30%	52%

Profile	$h^{+0,1}$	$d_1^{+0,1}$	d_2	$a_{\pm 0,1}$
ATC10, TC10, HC	2,6	6	4,3	14;25
ATC20	3,1	7,5	5,3	25

¹ The use of the MCS torque indicator (SAP#1094632) is recommended!

