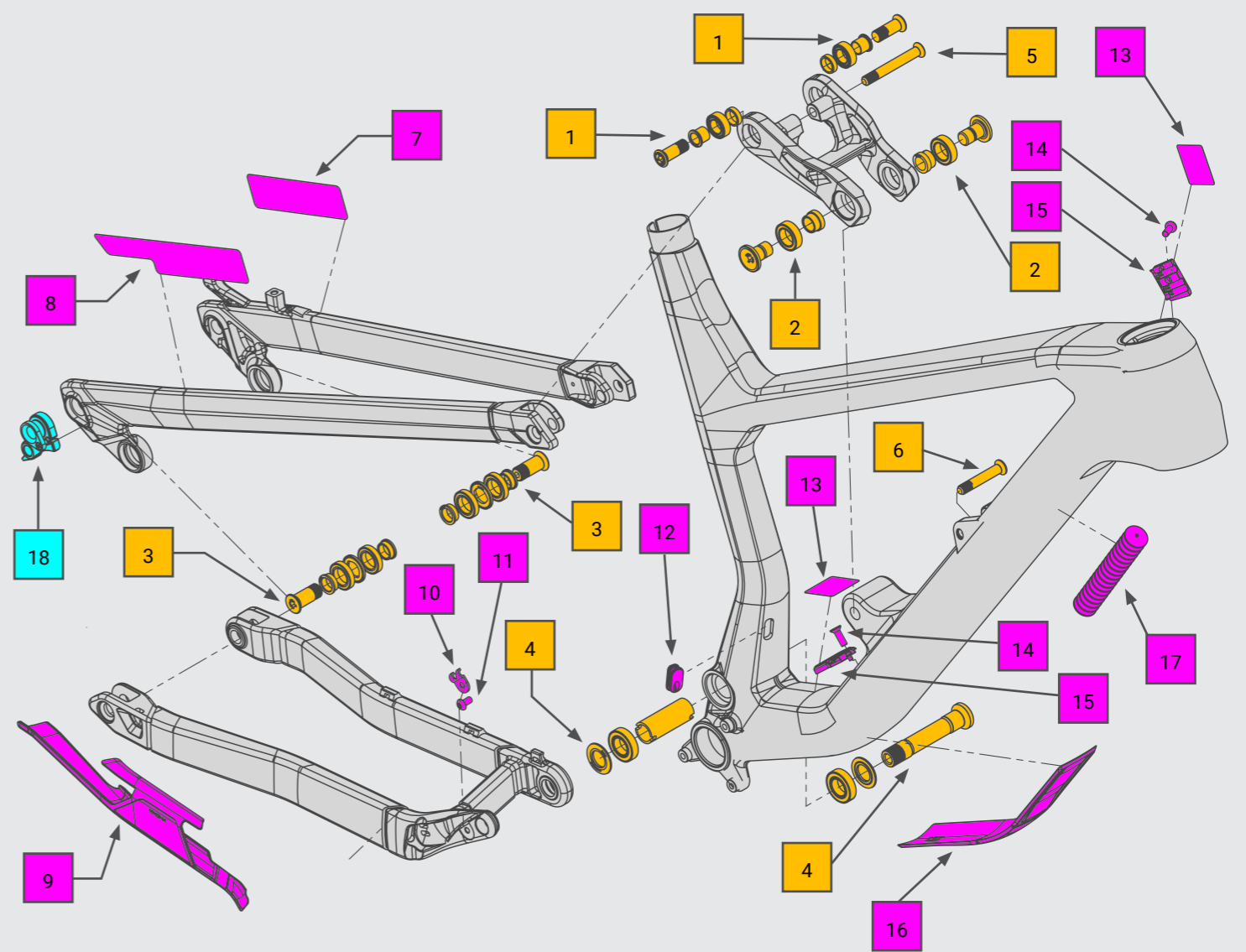


NO.	QTY.	ITEM NO.	DESCRIPTION
1	2	3935	SWOOP LINKAGE/SEAT STAY BEARING SET BEARING DIMENSIONS: 2X „63801 2RS“
2	1	3934	SWOOP ROCK MOUNT BEARING SET BEARING DIMENSIONS: 2X „3802 2RS MAX“
3	2	3923	RENDER/SWOOP HORSTLINK BEARING SET BEARING DIMENSIONS: 4X „6802 2RS“
4	1	10430	MAIN BEARING SET BEARING DIMENSIONS: 2X „6902 2RS“
5	1	3933	SWOOP SHOCK MOUNT BOLT BELOW
6	1	3926	SWOOP SHOCK MOUNT BOLT TOP
7	1	3938	SWOOP SEAT STAY PROTECTION LEFT
8	1	33695	SEAT STAY GUARD SWOOP 200 / 170
9	1	3937	SWOOP CA 170 CHAINSTAY PROTECTION
10	1	3188	SWOOP CA 170 CABLE GUIDE CHAIN STAY
11	1	-	SCREW ISO 7380- 1 M5X10 A2 HEX 3
12	1	33718	RENDER HYBRID / JEALOUS HYBRID CABLE BUSHING
13	2	34383	PROTECTION STICKER FOR CABLES
14	2	-	SCREW ISO 10642 M5X16 A2 HEX 3
15	2	3164	SWOOP CABLE BUSHING
16	1	3936	SWOOP DOWN TUBE PROTECTION
17	2	34018	NOISE DAMPER BRUSH
18	1	8651	DERAILLEUR HANGER
19	1	310.52.590F-HT100AM	ACROS 45/56 - ANGLE HEADSET 100 mm
20	1	310.52.590F-HT110AM	ACROS 45/56 - ANGLE HEADSET 110 mm
21	1	310.52.590F-HT120AM	ACROS 45/56 - ANGLE HEADSET 120 mm



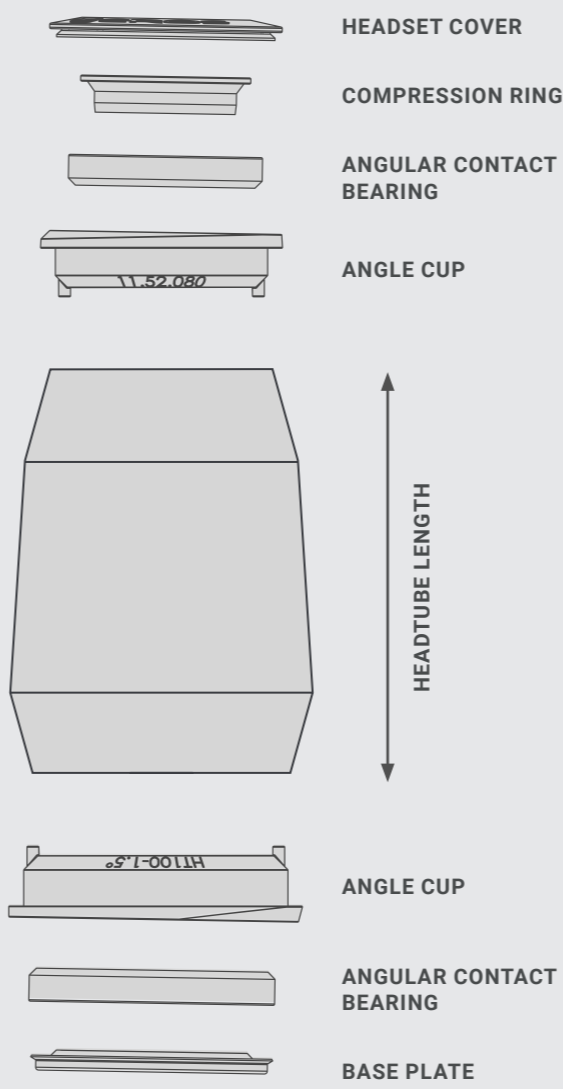
TECHNICAL SPECIFICATIONS

HEADSET DIMENSIONS	ACROS ANGLE HEADSET ZS 45 / ZS 56, 310.52.590F BEARING DIMENSIONS: UPPER: 41 X 6,5 MM - 36° / 45° LOWER: 52 X 7 MM - 45° / 45°
SEAT POST DIAMETER	31,6 MM
SEAT CLAMP DIAMETER	34,9 MM
BREAKMOUNT REAR	POSTMOUNT Ø 180 MM
REAR BRAKE	MAX. 203 MM
BOTTOM BRACKET STANDARD	BSA 73 MM
DROPOUT	X12/BOOST 148 MM
CHAINGUARD	ISCG 05
SHOCK DIMENSION	LENGTH: 230 MM X 65 MM HARDWARE: BODY: 8X20 MM, SHAFT: 8X20 MM
MAX. LOAD CAPACITY	115 KG

GO TO SERVICE & SUPPORT

HINWEIS: Sämtliche Informationen, die in diesem Dokument enthalten sind, sind STRENG VERTRAULICH. Jeder Empfänger dieses Dokuments darf die darin enthaltenen Informationen, direkt oder indirekt, nur mit ausschliesslicher, schriftlicher Zustimmung der Firma MBCAD an Dritte weitergeben oder offenlegen. Die Firma MBCAD behält sich alle Rechte in Bezug auf Urheberrechtsgesetz, Patent- und Gebrauchsmusterschutz vor. Lizenzrechte werden hierdurch nicht erteilt.

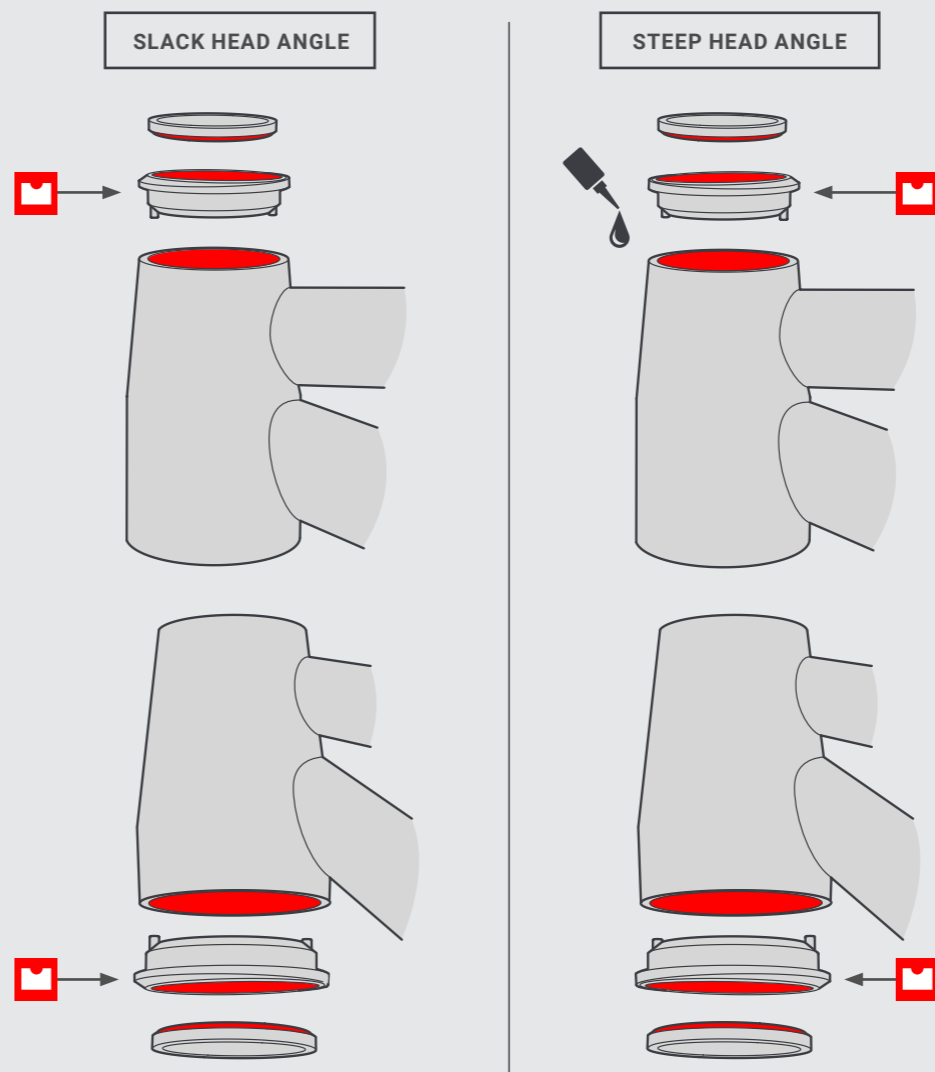
NOTE: The information or material contained in this document is STRICTLY CONFIDENTIAL and any recipient of this document shall not disclose or divulge, directly or indirectly, this document or the information or material contained herein without the written consent of the company MBCAD. All copyrights, trademarks, patents and other rights in connection herewith are expressly reserved to the company MBCAD and no license is created hereby.



CHOOSE THE SIZE OF THE HEADSET

Depending on the frame size of the bike you have to mount the correct headset. There are three different versions of headset sizes.

NO.	FRAMESIZE	HEADTUBE LENGTH
19	M	100 mm
20	L	110 mm
21	XL	120 mm



INSERT ANGLE CUP / ADJUST STEERING ANGLE

Apply a thin layer of grease to the insides of the bearing cups and the contactpoints of the frame. Insert the bearings with the phase facing the cup. Then put the bearing cups together with the bearings in the frame. **Important:** The markings on the bearing cups must point in the same direction.