

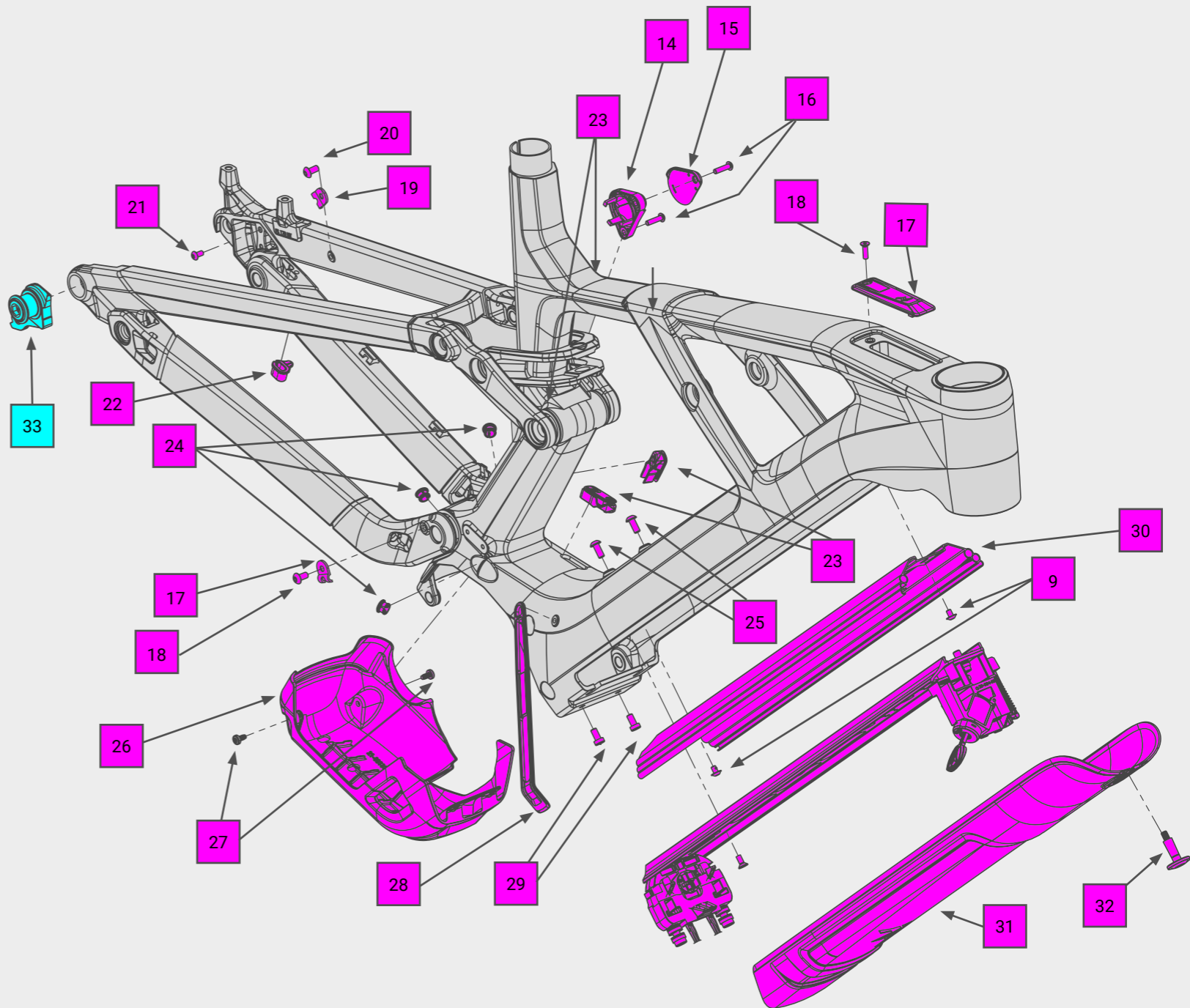
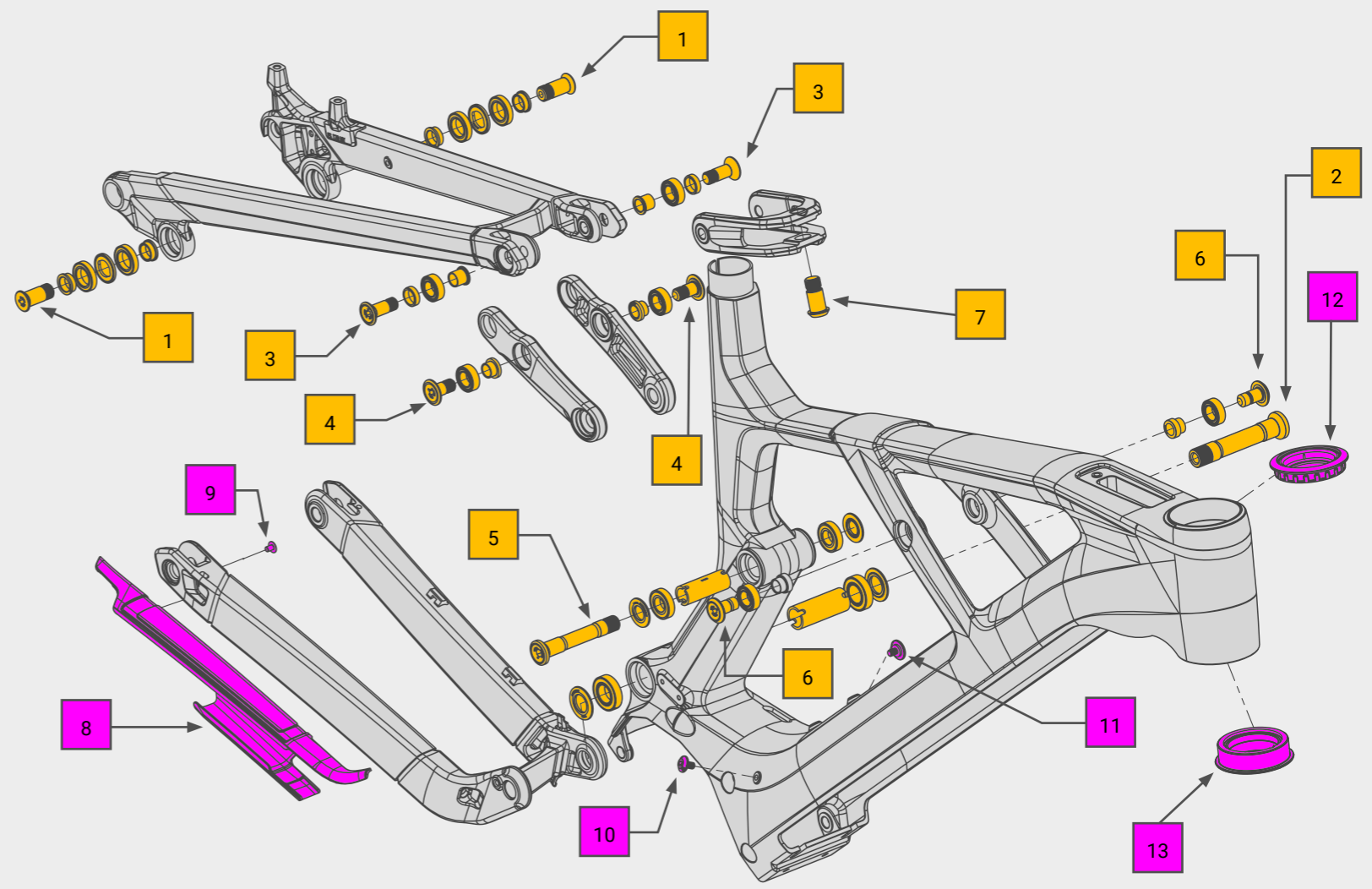
# DEFT 750

MODELYEAR: 2022 -

PLEASE USE THE ITEM NUMBER TO FIND THE PART IN OUR ONLINESHOP: [BIKE-DISCOUNT.DE](http://BIKE-DISCOUNT.DE)

# RAIDON

NO.	QTY.	ITEM NO.	DESCRIPTION
1	1	3923	RENDER HORSTLINK BEARING SET BEARING DIMENSIONS: 4 X 6802 2RS
2	1	10430	MAIN BEARING SET BEARING DIMENSIONS: 2 X 6902 2RS
3	2	3922	RENDER LINKAGE/SEAT STAY BEARING SET BEARING DIMENSIONS: 4 X 3801 2RS
4	1	3921	RENDER LINKAGE BEARING SET BEARING DIMENSIONS: 2 X 3801 2RS
5	1	3924	RENDER ROCK MOUNT BEARING SET BEARING DIMENSIONS: 2 X 6901 2RS
6	1	10416	JAB/SLIDE TRAIL SHOCKMOUNT SET TOP BEARING DIMENSIONS: 2X 63801 2RS
7	1	3901	RENDER HYBRID M12X30.5 BOLT FOR SHOCK MOUNT
8	1	3275	RENDER HYBRID CHAINSTAY PROTECTION
9	3	3121	RENDER HYBRID M4X6 SCREW FOR CHAINSTAY PROTECTOR
10	1	3927	RENDER HYBRID M5X11 SCREW FOR STRAP RIGHT
11	1	3919	RENDER HYBRID M5X11 SCREW FOR STRAP LEFT
12	1	ACROS 49.02.610	ZS56 HEADSET UPPER PART INTEGRATED CABLE ROUTING
13	1	20101829	ZS56 BLOCKLOCK HEADSET LOWER PART
14	1	3443	HYBRID CHARGERPLUG HOLDER
15	1	4215	HYBRID CHARGERPLUG COVER
16	2	3509	HYBRID CHARGERPLUG SCREWS
17	1	3726	COVER TOPTUBE DISPLAY
18	1	-	SCREW ISO 10642 M4X14 A2 HEX.2,5
19	2	3188	SWOOP CA 170 CABLE GUIDE CHAIN STAY
20	2	-	SCREW ISO 7380-1 M5X10 A2 HEX 3
21	1	-	SCREW ISO 7380-1 M4X8 A2 HEX.2,5
22	1	3869	SPEED SENSOR CLAMP
23	2	33963	HYBRID CABLE GUIDE DROPPER POST
24	3	34357	HYBRID CABLE GUIDE
25	2	-	SCREW ISO 7380-1 M5X12 10.9 HEX 3
26	1	3592	DEFT HYBRID BES3 DRIVE UNIT COVER
27	2	3276	RENDER HYBRID / JEALOUS HYBRID M4X8 SCREW FOR DRIVE UNIT COVER
28	1	3273	RENDER HYBRID / JEALOUS HYBRID STRAP FOR BATTERY COVER
29	2	3104	SCREW DIN 6912 M5X10 A2 TUFLOK HEX 4
30	1	3406	BOSCH BES3 CABLE CANAL
31	1	3593	RENDER 750 / DEFT HYBRID BATTERY COVER
32	1	3594	DEFT SCREW FOR BATTERY COVER TOP
33	1	20076315	SRAM UDH UNIVERSAL ALUMINIUM DERAILLEUR HANGER



## TECHNICAL SPECIFICATIONS

HEADSET DIMENSIONS	TOP: 1,5" SEMI INTEGRATED OD 62MM ICR BOTTOM: 1,5" SEMI INTEGRATED ACROS AZX-536F BLOCK-LOCK
SEAT POST DIAMETER	31,6 MM
SEAT CLAMP DIAMETER	34,9 MM
BREAKMOUNT REAR	POSTMOUNT Ø 180 MM
REAR BRAKE	MAX. 203 MM
DROPOUT	X12/BOOST 148 MM
SHOCK DIMENSION	LENGTH: 205 MM X 65 MM TRUNION HARDWARE: BODY: TRUNION, SHAFT:12,7MM X 12,7MM (DU)
MAX. LOAD CAPACITY	135 KG
TIRE	MAX. 29" X 2,6
MOTOR	BOSCH PERFORMANCE CX GEN 4 BES 3
BATTERY	BOSCH POWERTUBE 750 WH

**GO TO SERVICE & SUPPORT**

HINWEIS: Sämtliche Informationen, die in diesem Dokument enthalten sind, sind STRENG VERTRAULICH. Jeder Empfänger dieses Dokuments darf die darin enthaltenen Informationen, direkt oder indirekt, nur mit ausschliesslicher, schriftlicher Zustimmung der Firma MBCAD an Dritte weitergeben oder offenlegen. Die Firma MBCAD behält sich alle Rechte in Bezug auf Urheberrechtsgesetz, Patent- und Gebrauchsmusterschutz vor. Lizenzrechte werden hierdurch nicht erteilt.

NOTE: The information or material contained in this document is STRICTLY CONFIDENTIAL and any recipient of this document shall not disclose or divulge, directly or indirectly, this document or the information or material contained herein without the written consent of the company MBCAD. All copyrights, trademarks, patents and other rights in connection herewith are expressly reserved to the company MBCAD and no license is created hereby.