

**ROTHENBERGER CASECAM
HD Pipe Inspection Camera
Operating Manual**

**Read these instructions before operating the device.
PLEASE CHARGE THE BATTERY FIRST BEFORE USE.**



Specifications

Monitor		
Screen size	8 inch LCD IPS screen	
Display ratio	16:9	
Resolution	1280x720 HD	
Menu	English + others	
Sunshade Function	Yes	
HD DVR		
Support playback file format	Video	H.264 encode. MP4
	Audio	Audio and video
	Picture	JPEG
Audio Input	External microphone	
Video Input	AHD analog high-definition signal (support)	
Signal Input	Video connector	
Video System	HD PAL, HD NTSC	
Video Output	Composite video signal output	
Power Support		
External Charge	DC12V (Input voltage AC 100V~240V, Output voltage DC:12V, Current 2000mA)	
Battery	12V 6800 mA/H Li-ion battery	
Complete System Power Consumption	20W (max)	
Battery Charge Time	4-5 hours	
Battery Continuous Operation Time	5-6 hours	
Camera Head		
Camera Diameter	dia. \varnothing 23 mm x 175 mm	
Lighting	9pcs high light adjustable white LEDs	
Camera Sensor	Magnesium light 9V139 (ASX340)	
Operating Temperature	-10°C ~ 60°C	
Camera Housing Material	304# stainless steel	
Waterproof Rating	IP68	
Cable Wheel		
Special gold point touch connector to camera head		
Fibreglass rod push cable \varnothing 5.2mm		
Cable length: 30 m		
Other Functions		
Metre Counter	Metre counter displayed on the screen	
Built in 512hz transmitter		

Quick Start Guide

- 1) Charge the battery
- 2) Connect camera to reel
- 3) Install control box
- 4) Power on (hold 3 seconds)
- 5) Insert USB
- 6) Feed cable into pipe
- 7) Press record

Pro Tip: For best image quality, clean the camera lens before every inspection.

Bill of Materials

1. Heavy-duty protective hard case containing the 8-inch integrated LCD screen & control box unit
2. High-definition camera head unit
3. Heavy-duty wound fibreglass cable reel assembly
4. Removable 12V Lithium-Ion battery pack core
5. Camera head guide skids
 - *1 x small skid (Ø40 mm)
 - *1 x large skid (Ø85 mm)
6. 12V/2A AC/DC battery charging adaptor

ATTENTION

- Always inspect the cable and camera head before use. Do not use if damaged.
- Avoid sharp edges when feeding the cable into pipes to prevent damage.
- Do not force the push rod - excessive force may damage the cable or camera head.
- Clean the system after every use to maintain performance and longevity.
- Only use the supplied charger.

CAUTION

Do not pull or lift the system by the cable.

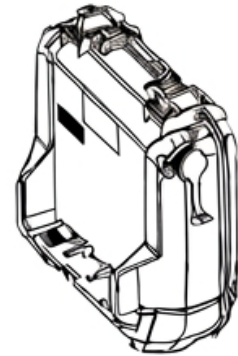
Know Your CASECAM



Control box



Cable reel



Winding box



Camera head



85mm skid



40mm skid



USB cable

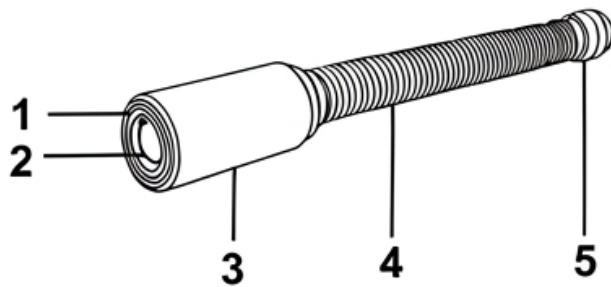


Power supply



USB cable

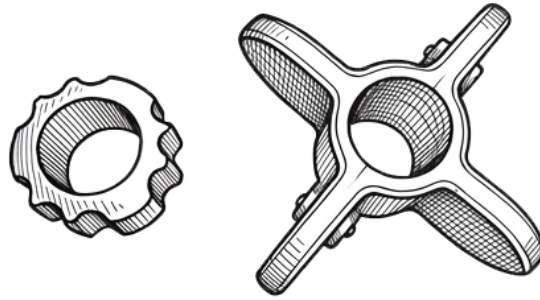
Camera head



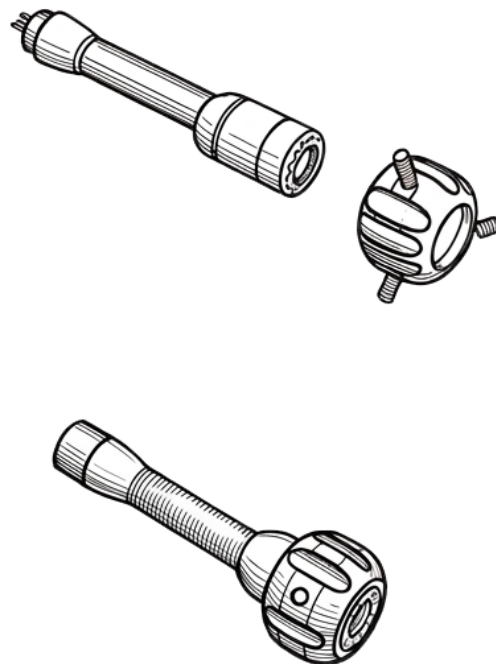
1. Stainless steel camera housing
2. White light (9 LEDs)
3. Lens
4. Spring joint
5. Connector

Guide Skids

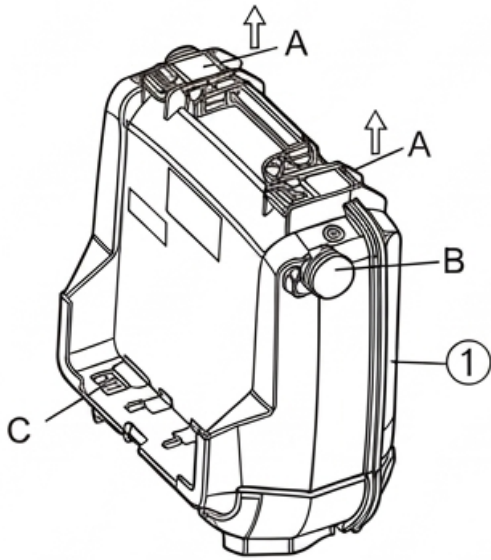
2 pcs/set of skids included (40mm and 85mm)



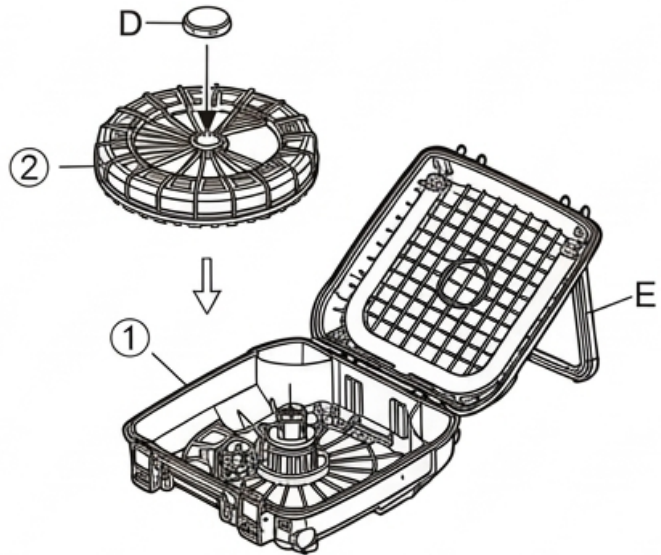
How to install camera skid



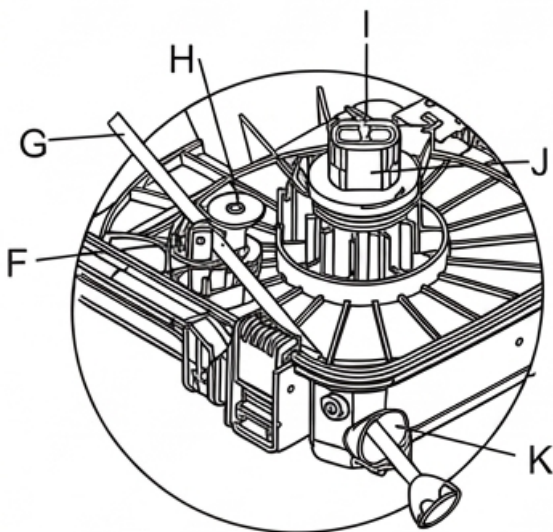
How to Change the Reel



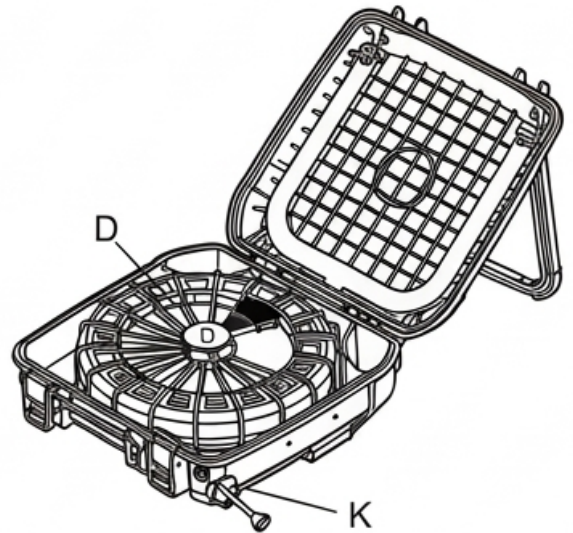
(1-1)



(1-2)

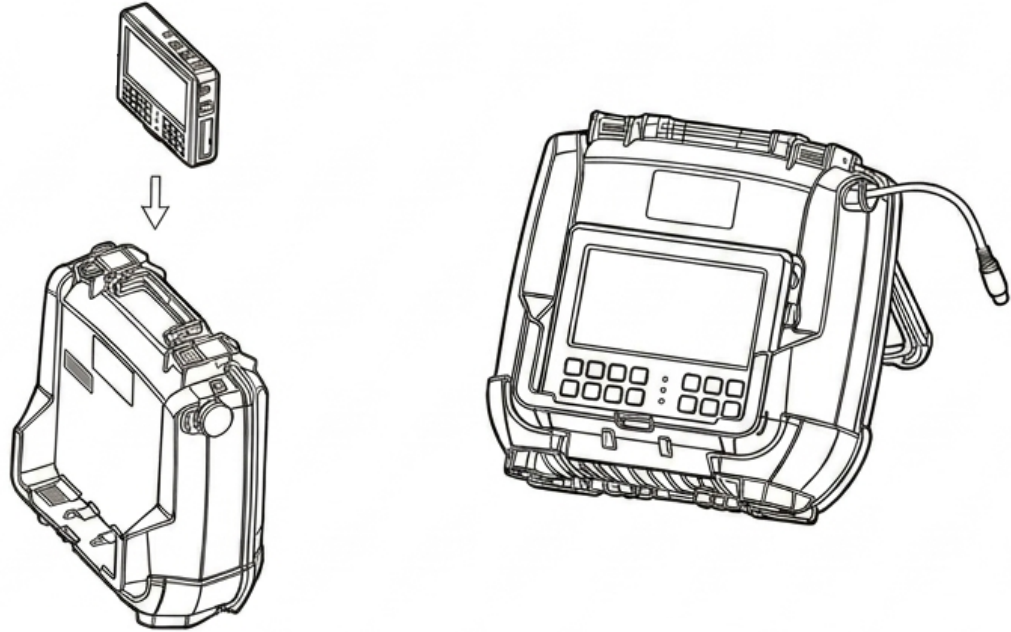


(1-3)

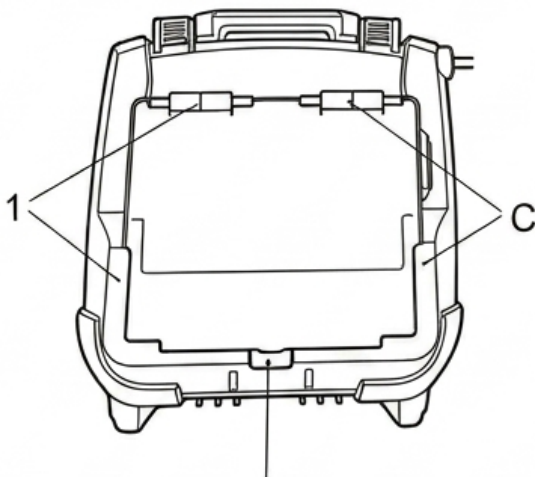


(1-4)

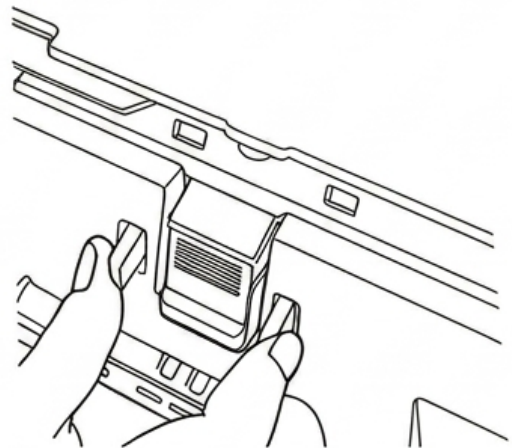
How to Install the Control Box to the Cable Reel



How to remove the control box from the cable reel

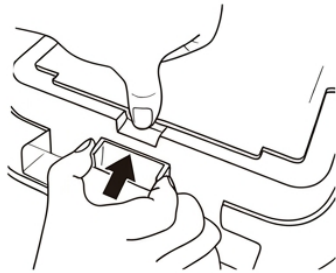


Lay the CASECAM flat

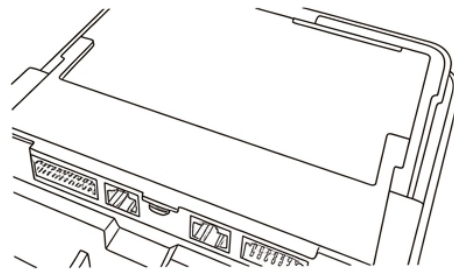


Squeeze these two buttons

How to Install the Control Box to the Cable Reel (cont.) & Battery Charging



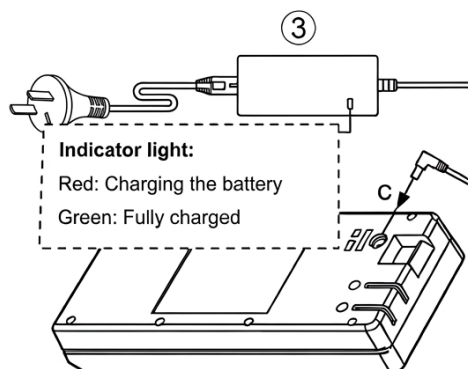
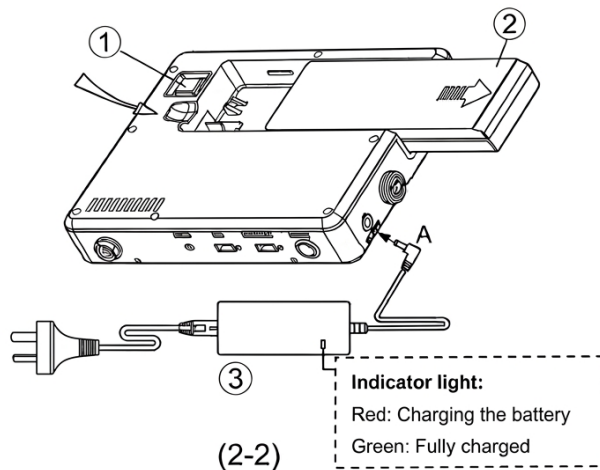
Push the control box upwards



The control box is separate from the reel

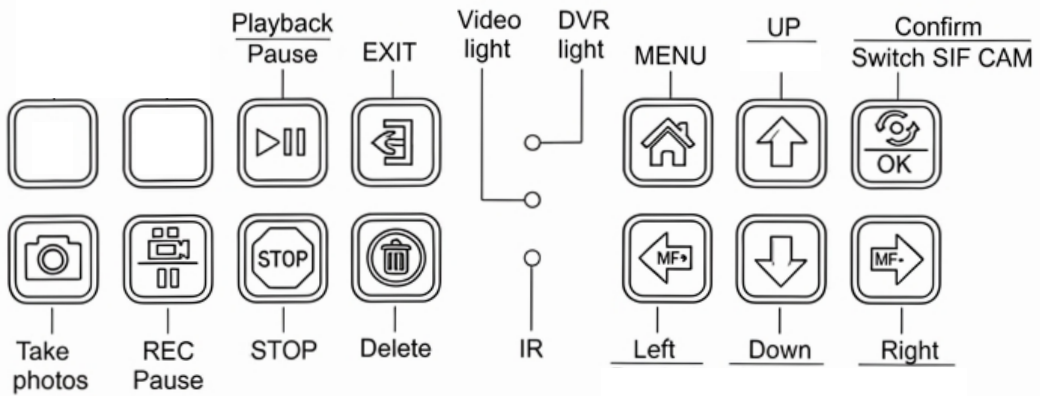
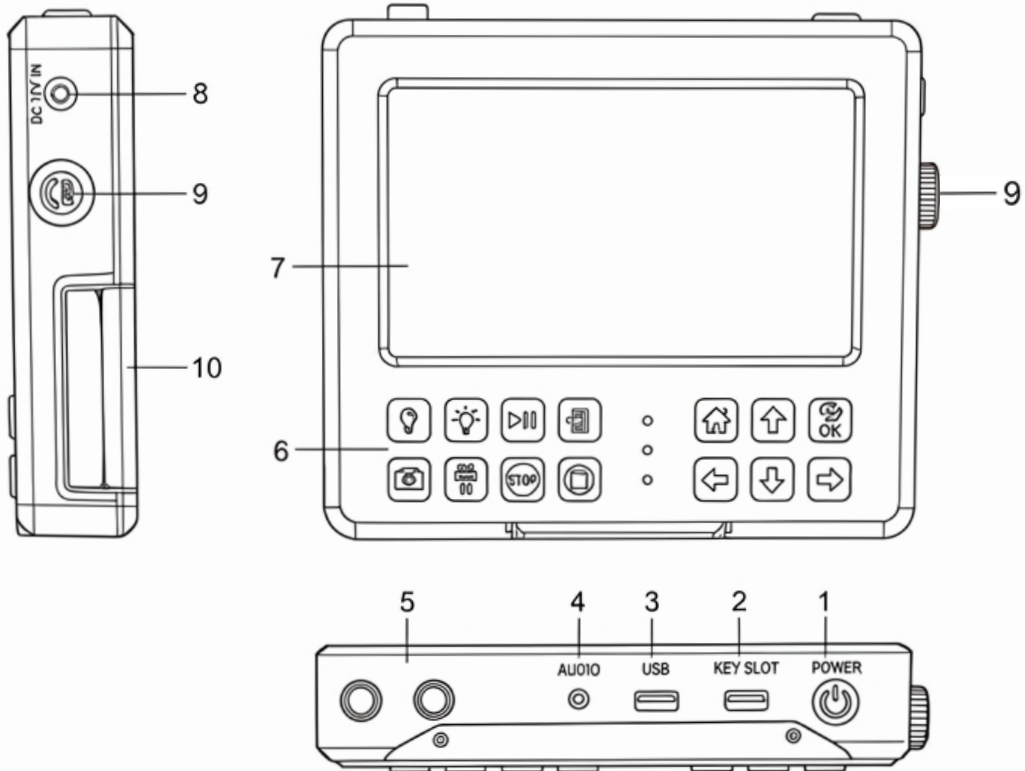
How to Charge the Battery:

- 1) Insert 12V/2A charge adapter to charge port 'A'
- 2) Charge adapter indicator light is red, the battery is charging
- 3) Charge adapter indicator light is green, the battery is fully charged
- 4) The battery can be disassembled and charged separately (details reference picture (2-3))



(2-3)

DVR Control Unit



(2-1)

DVR Control Unit

No.	Name	Function	How to Use
1	POWER	On/Off	Press the button for 3 seconds to turn the control box on/off
2	KEYBOARD	Connect wireless/wired keyboard	Insert a 2.4G wireless keyboard adapter
3	USB	Connect USB drive	Insert an external USB to record and save video & picture files. Do not remove the USB flash drive while you are recording.
4	AUDIO	Headphone/Microphone	Insert a 3.5mm headphone
5	METRE COUNTER BUTTONS	RST: Reset To Zero F/M: Switch feet/metre	
6	CONTROL PANEL	DVR menu	See details in picture (2-1)
7	MONITOR	Display the image	8-inch HD screen, 1280x720 resolution
8	DC IN	Charge the battery	Use a 12V 2A charge adapter
9	LED DIMMER	Adjust the camera LED brightness	Adjust the camera head LED brightness
10	BATTERY	Power supply	See details in picture (2-2)

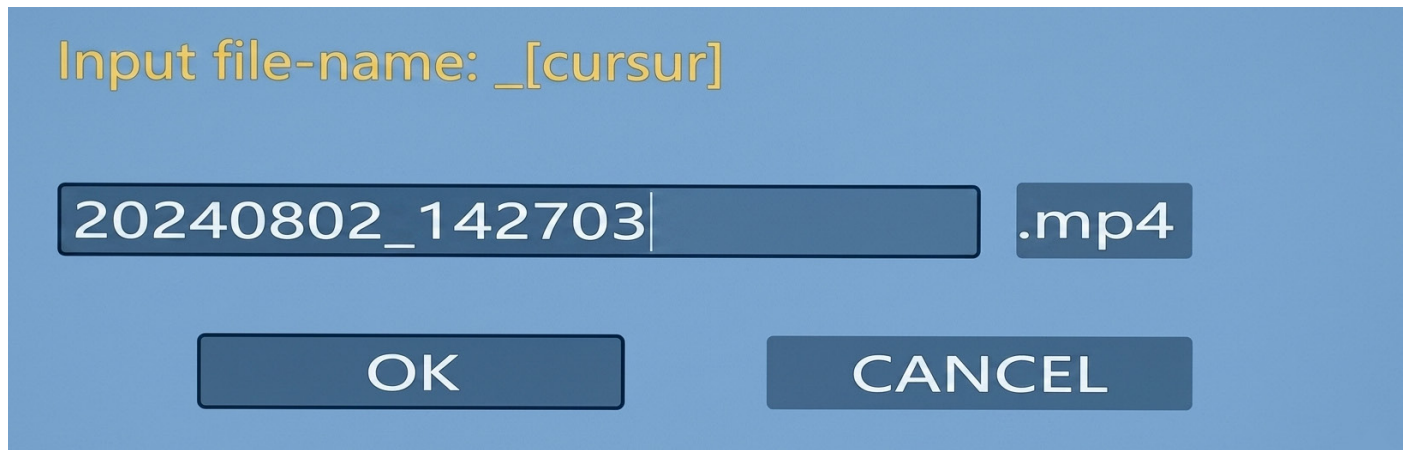
DVR Video Recording & Photography Function Instructions

Operating Instructions:

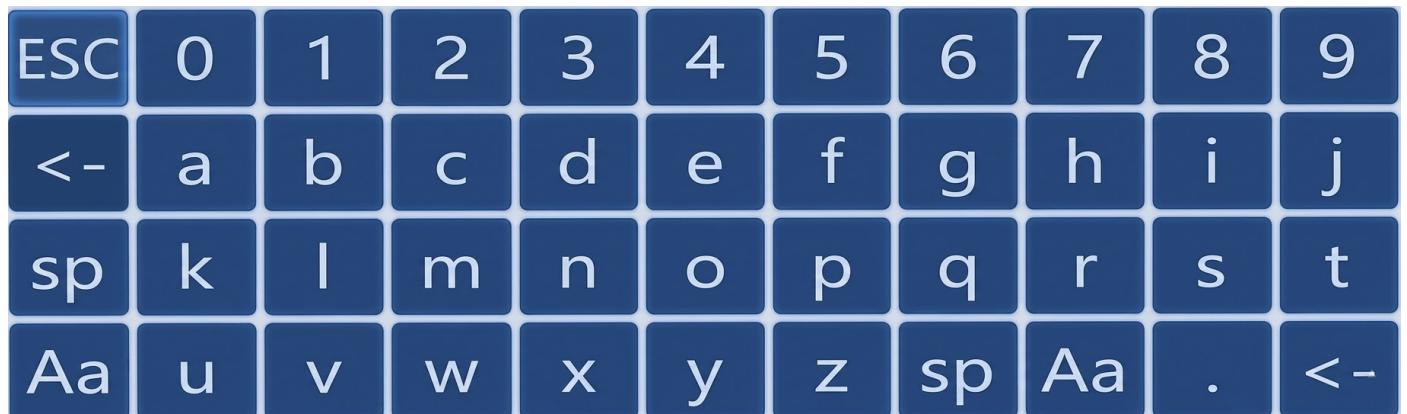
1. Insert the USB drive into the USB port.

2. Record the video:

1) Press the 'camera/pause' button to start, the file name can be modified when it appears on the screen.



2) Press the 'OK' button, the keyboard appears on the screen. Here you can change the file name if you wish. Press the 'OK' button again to confirm the name. Press 'ESC', press the 'OK' button again to exit the keyboard function.



3) Press the 'down' button to choose 'OK', start recording the video.

4) Press the 'stop' button to stop recording.

3. Record audio: Insert the external microphone to the MIC port. Press down to the 'MIC' button. When the video is recording, you can record the audio at the same time.

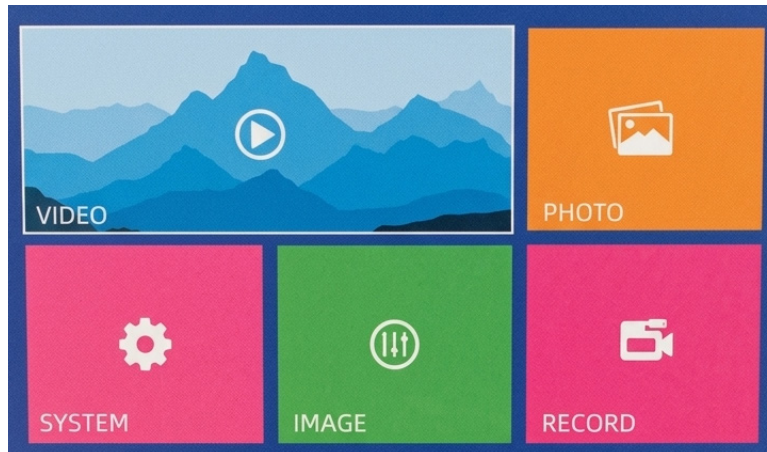
4. Take pictures: Press the 'camera button' to take pictures (no matter if it is recording or not).

5. Press the 'MENU' button to enter the main menu, and choose 'VIDEO' to play the video.

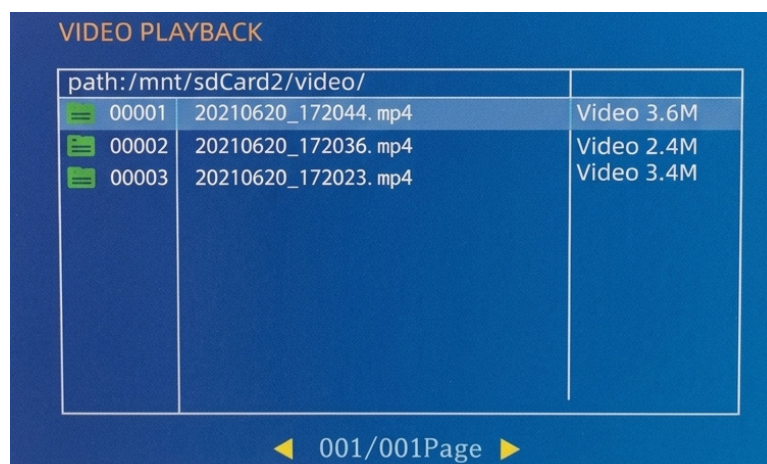
6. Press the 'MENU' button to enter the main menu, and choose 'PICTURE' to view the pictures.

DVR Menu Instructions

Press the 'MENU' button to enter the main menu



1. VIDEO: Playback the video file



Press the 'UP' and 'DOWN' arrows to select files
 Press the 'LEFT' and 'RIGHT' arrows to turn pages
 Press the 'OK' button play the file
 Press the 'STOP' button to delete the file

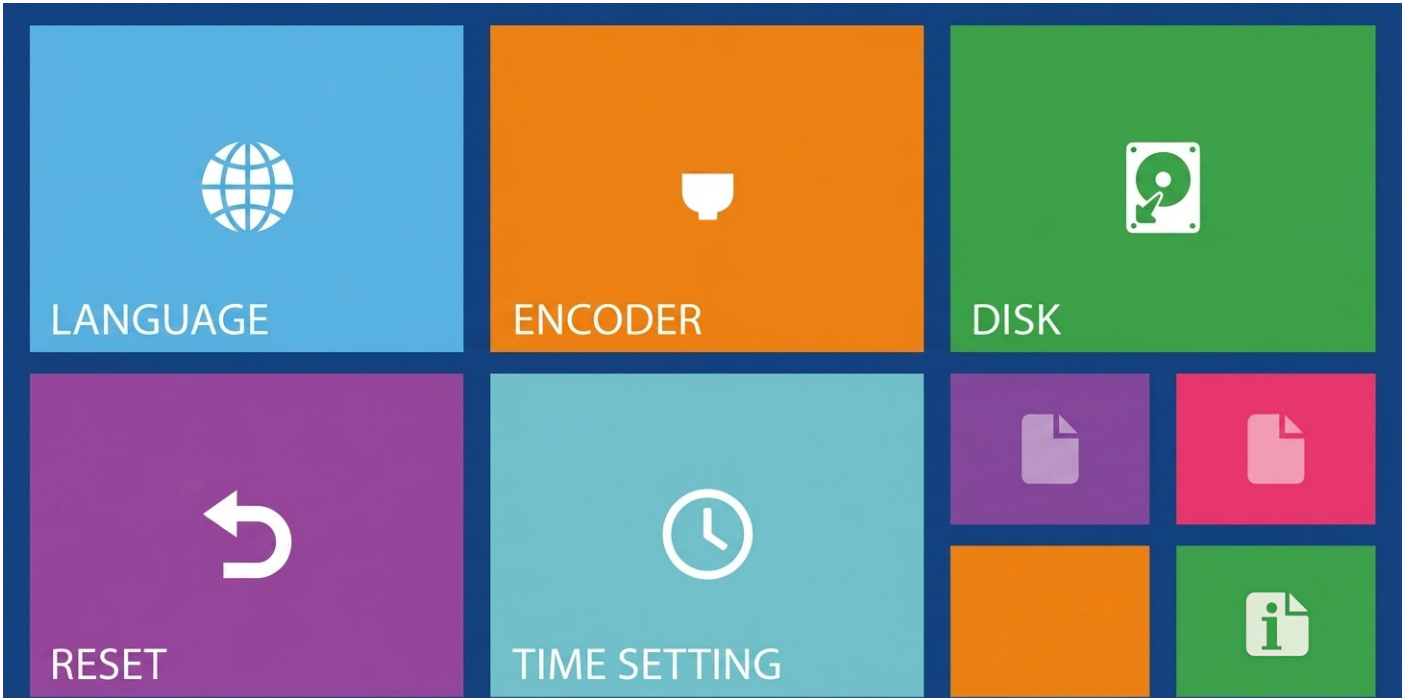
2. PHOTO: View the picture

3. SYSTEM: Language setting, date, time etc.

4. IMAGE: Image settings such as CVBS out, HDMI resolution, brightness, chroma, contrast, noise reduction

5. RECORD: Video settings, such as video clip time, frame rate, compress, photo quality, record model, overwrite

System Settings



1) LANGUAGE: Set the menu language. The CASECAM has 9 languages (English, Chinese, French, Espanol, German, Polish, Korea, Russian and Italian).

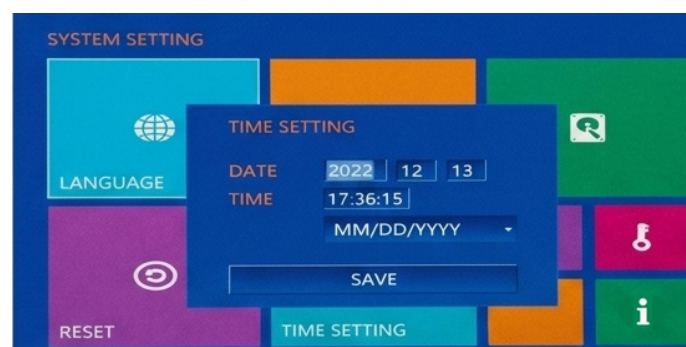
2) DISK: Format the USB flash drive.



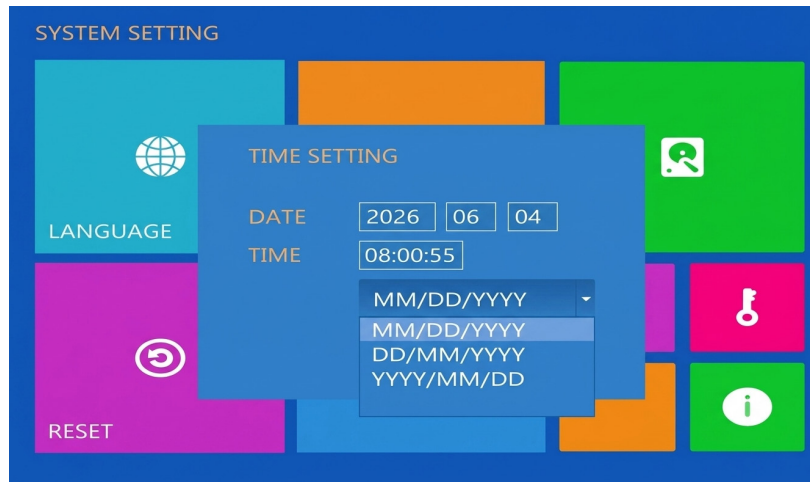
The default is 'DISK1'

3) RESET: Restore the factory default settings.

4) TIME SETTING: Setting the time and date

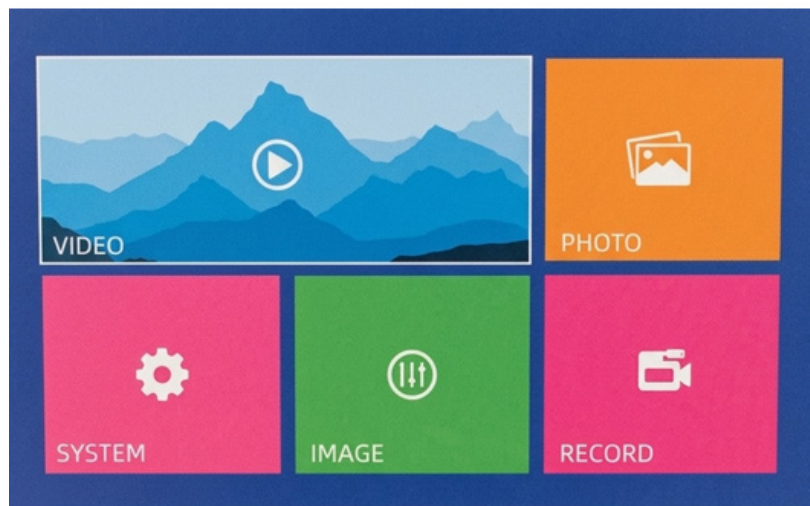


DVR Video Recording & Photography Function Instructions



The date format has 3 options.

IMAGE SETTING



Adjust the LCD, screen brightness and Contrast.
Default resolution: 1280x720 60
We suggest customers don't change these values.

Record Settings

VIDEO SETTING	
VIDEO CLIP TIME	30 MINUTE
FRAME RATE	1 MINUTE 5 MINUTE
VIDEO QUALITY	10 MINUTE 15 MINUTE
COMPRESS	30 MINUTE
PHOTO QUALITY	60 MINUTE HIGH
RECORD MODE	MANUAL
OVERWRITE	OFF
SETTING THE FILE NAME	YES

VIDEO SETTING	
VIDEO CLIP TIME	30 MINUTE
FRAME RATE	NTSC30FPS/PAL25FPS
VIDEO QUALITY	LEVEL 3
COMPRESS	LEVEL 5 LEVEL 4
PHOTO QUALITY	LEVEL 3
RECORD MODE	LEVEL 2 LEVEL 1
OVERWRITE	NONE
SETTING THE FILE NAME	

Video Clip Time: 1 minute / 5 minute / 10 minute / 15 minute / 30 minute / 60 minute
Default Value: 30 minute

Frame Rate: NTSC 30FPS / PAL 25FPS

Video Quality: 5 options, default is Level 3. The higher the level, the higher the video resolution and the higher the file size

Compress: H265

Photo Quality: High / Medium / Low
Default Value: High

Record Mode: Manual / Auto

Default Value: Manual

Overwrite: Off / On

CASECAM Spare Parts

Description	No.
30 m / 5.2 mm cable	68C5230C
23 mm self-levelling camera head w/512Hz sonde	68H23T
Guide skid	68G23



