

PHILIPS

MYCREATION



Height

Large, high output pendants tailored to your project needs

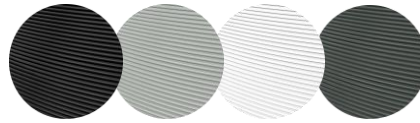


Height

The time of heavy and non-sustainable highbays is over. This Height Series is both very light and made out of sustainable and recyclable 3D printed material.

A prismatic polycarbonate shade creates an efficient and comfortable light distribution. By 3D printing the shade, it becomes possible to configure your Height Series in multiple colours and even with a logo on the shade.

Top Colors



BK402
Satin Black

GR402
Satin Grey

WH401
Satin White

GR403
Satin Dark Grey

Shade Colors



CLO00
CLEAR

BL000
Transparent
Blue

OR090
Fluo Orange

RD000
Transparent
Red

YE000
Transparent
Yellow

GN000
Transparent
Lime

Project notes

CUSTOMER

PROJECT

DATE

Finish options

DESCRIPTION 3D PRINTED UV-STABILIZED POLYCARBONATE
PLASTIC WITH DECORATIVE LAYERED TEXTURE

UPPER SHELL

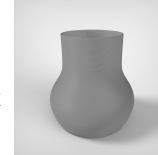
MATERIAL NAME SATIN BLACK
MATERIAL CODE BK402 (9004)
TEXTURE NAME LAYERED COARSE
TEXTURE CODE T101



SATIN WHITE
WH401 (9003)
LAYERED COARSE
T101



MATERIAL NAME SATIN GREY
MATERIAL CODE GR402 (9006)
TEXTURE NAME LAYERED COARSE
TEXTURE CODE T101

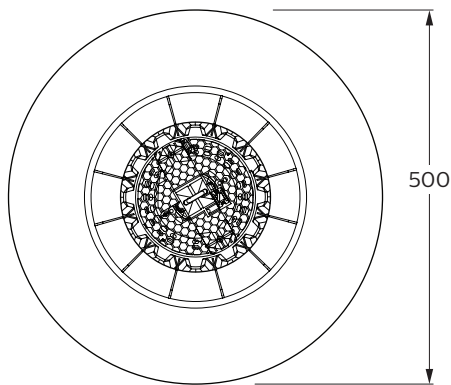
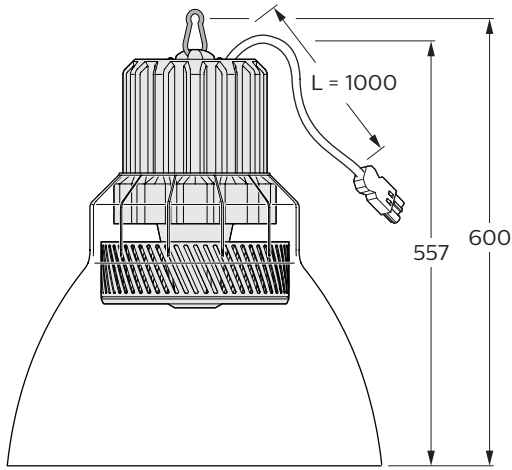


SATIN DARK GREY
GR403 (7043)
LAYERED COARSE
T101



DIFFUSER

MATERIAL NAME CLEAR
MATERIAL CODE CL000
TEXTURE NAME TUFTED COARSE
TEXTURE CODE T214



Mounting

DESCRIPTION RING CONNECTION FOR CHAIN MOUNTING
FIXTURE WEIGHT 3.7 kg

Electrical

DESCRIPTION PHILIPS LED MODULE AND PSU / PSD DRIVER
ELECTRIC CORD WITH WIELAND QUICK CONNECT GST18i3, 3 / 5 POLE, MALE

INPUT WATTAGE 80W / 145w ± 10%

INPUT VOLTAGE 220-240vac

FREQUENCY 50-60hz

POWER FACTOR >0.9

CONTROL NON DIMMABLE / DIMMABLE

Optical

DESCRIPTION 3D PRINTED DIFFUSER WITH 70° / 120° BEAM

LUMEN OUTPUT 120S/830: 12,000 LM, 120S/840: 12,000 LM +/-10% SYSTEM OUTPUT
200S/830: 20,000 LM, 200S/840: 20,000 LM +/-10% SYSTEM OUTPUT

CCT 3000K / 4000K, CRI > 80

UGR <22

LIFETIME 50,000hrs to L70 @ 25° C

Operational & certifications

PROTECTION CLASS IP20, IK05, Electrical Class II

AMBIENT RANGE +0° to +40° C

CERTIFICATIONS CE, RoHS

GLOWWIRE TEST 650°

