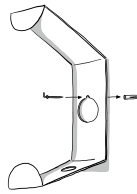
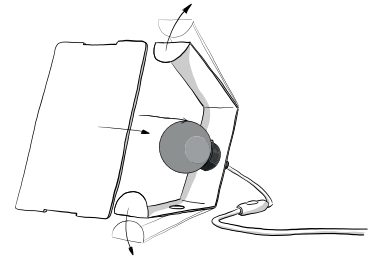


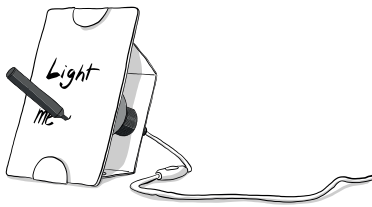
Insert the socket in the appropriate hole (fig.A table lamp & suspension, fig.B wall lamp), secure it using the clamping ring.



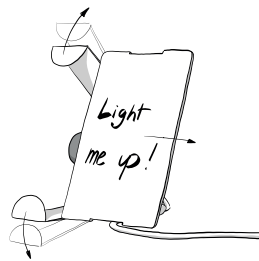
Use the small notch for the screw (supplied) when wall mounting.



After screwing the bulb onto the socket, spread the retaining tabs slightly to slide the diffuser in until they fit into the notches.



Write or draw whatever you want on the face of the lamp. Let your imagination run wild!



Remove the diffuser to change the bulb. Remove the diffuser for cleaning.



Once away from the electrical system, clean it only with water and a soft cloth.

Use the protective pads (included) on the back of the lamp (wall mount) or underneath (table lamp) to protect it from scratches.

*Electrical installations and repairs must be carried out by a specialist. Before installing the lamp, turn off the electricity. The power specifications must not be exceeded (max. 40W). Only use low heat LED bulbs. This lamp is designed for indoor use only. It is not suitable for use in damp rooms or on wet surfaces. If you have any doubts or questions, contact a specialist.

If the external flexible cable of this luminaire is damaged, it shall be exclusively replaced by the manufacturer or his service agent or a similar qualified person in order to avoid hazards.

Your chalk marker can be refilled. For more information visit www.molotow.com

dimensions (mm)
L 180 D 161 H 271

materials
anodized aluminium, PMMA

features
dimmable LED bulb, cotton electric cable, switch (no dimmer), chalk marker

colours
Rose Gold, Acid Green



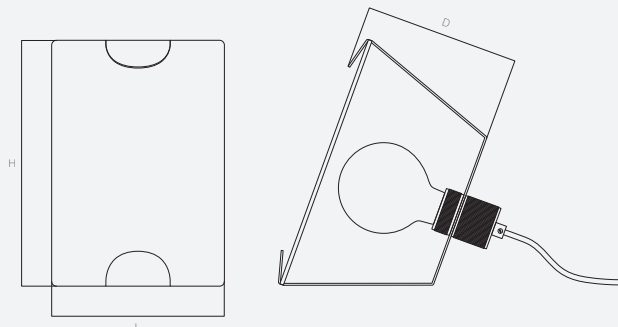
designed and made in Switzerland*

design
Julien Garnier

Puzzle Design Studio
www.puzzle-design.ch

*electric components made in Italy and assembled in Switzerland

ARTICLE FIN 142 - 1XMAX42W E14
ARTICLE FIN 272 - 1XMAX57W E27
CREATIVE CABLES



220 - 240V

