

# EO GENIUS 2

## ↳ BACKPLATE INSTALLATION AND EARTHING



## → 1.0 EO BACKPLATE INSTALLATION

1. For installation to an EO Post, make sure all necessary cables have been routed up through the post, and secure the backplate to the post using the fixings supplied within its packaging.

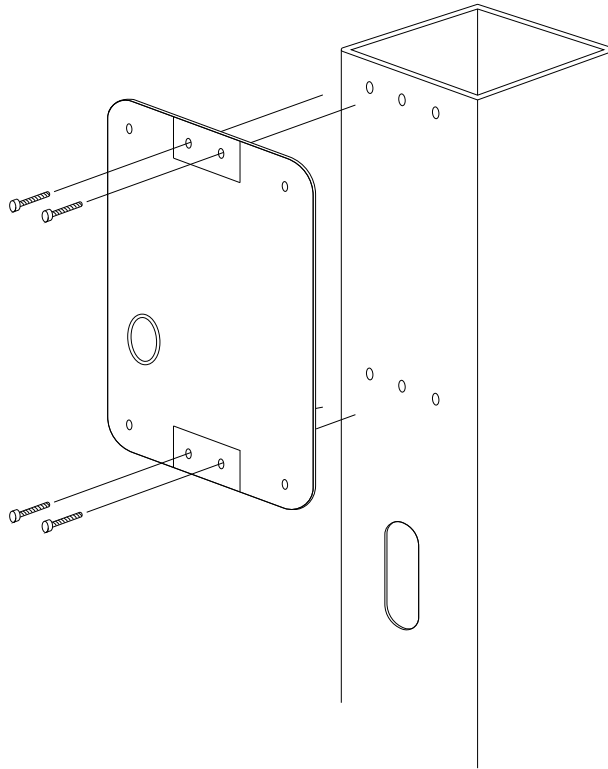


Figure 1: Mounting the backplate to the EO post using the fixing provided.

2. Offer up the EO Genius 2 rear case to the backplate and secure the 5mm hex bolts provided in the backplate fixing kit.

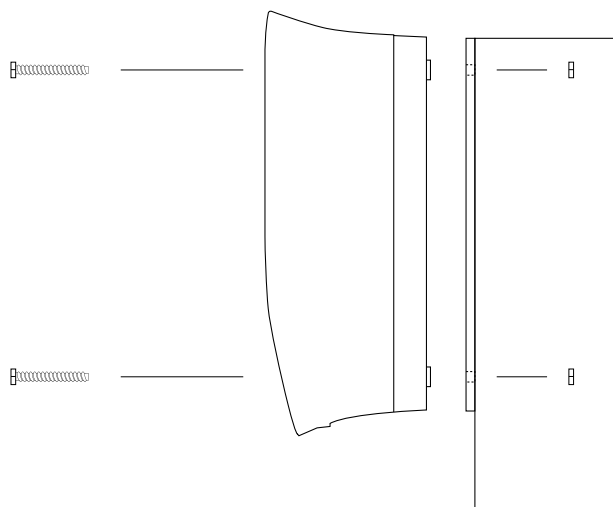


Figure 2: Mounting the Genius 2 to the EO post using the hex bolts provided.



## → 2.0 EARTHING FOR BACKPLATE INSTALLATION

1. Using the supplied earthing kit and bolts, use the bottom right screw hole to attach the earthing loop and kit.

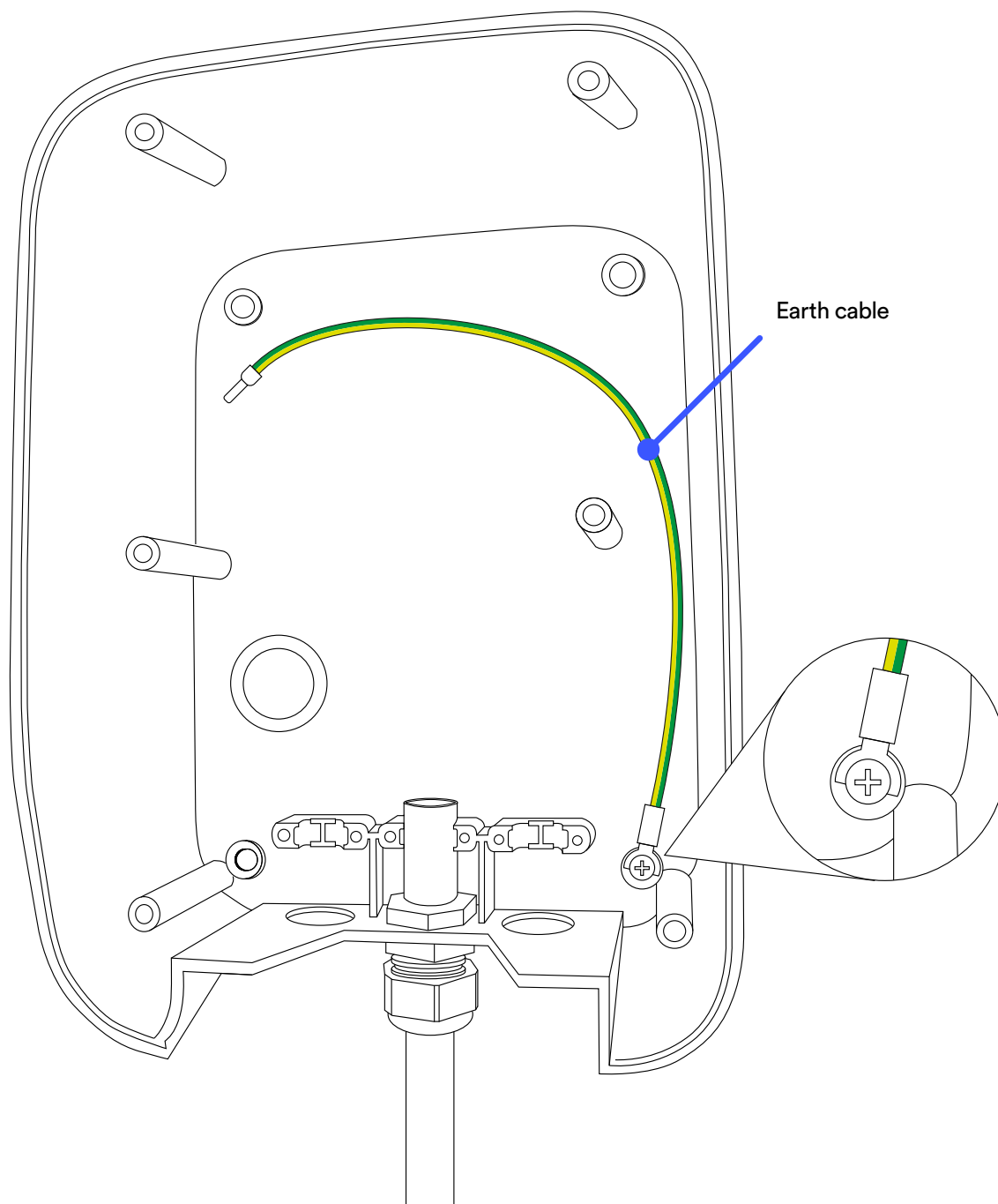


Figure 3: EO Genius 2 earthing loop and kit fitted to the bottom right mounting screw.

2. Remove (if required) the spare blanking.

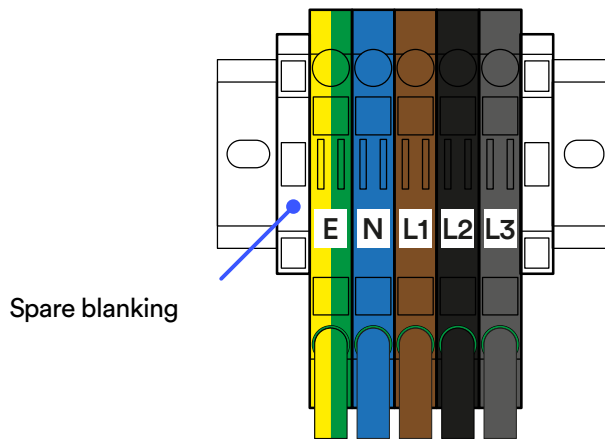


Figure 4: Removing the spare blanking from the Genius 2 DIN rail.

3. Install the provided DIN rail mount.

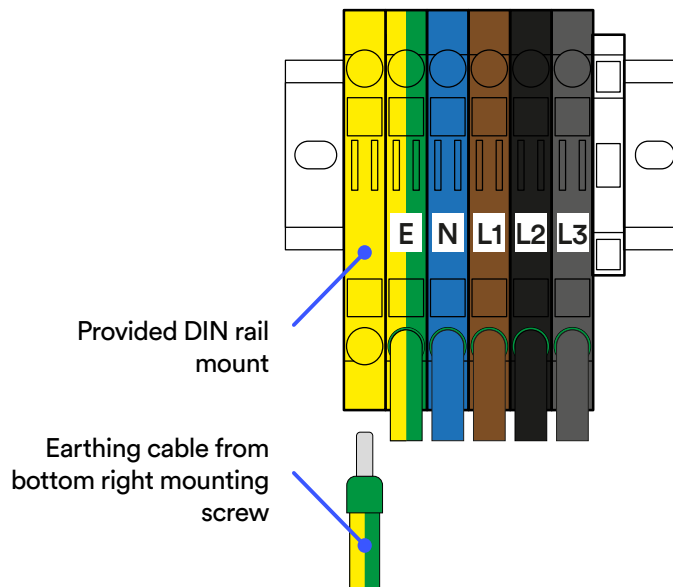


Figure 5: Installing the provided DIN rail mount into the DIN rail.

4. When ready, connect the earthing cable into the push fit connection on the DIN rail mount.

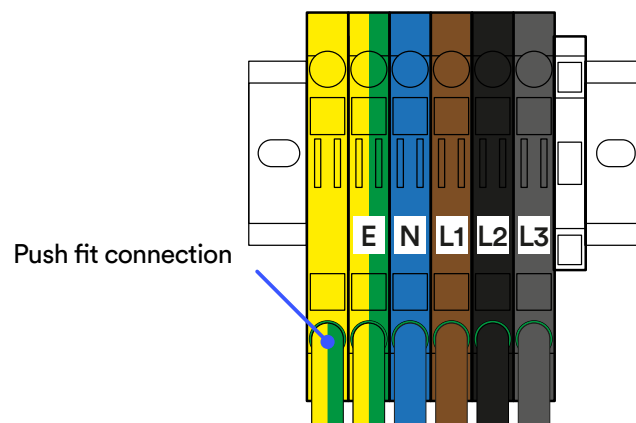


Figure 6: Connecting the earthing cable into the push fit connection on the DIN rail mount.



5. Take the provided U clip.

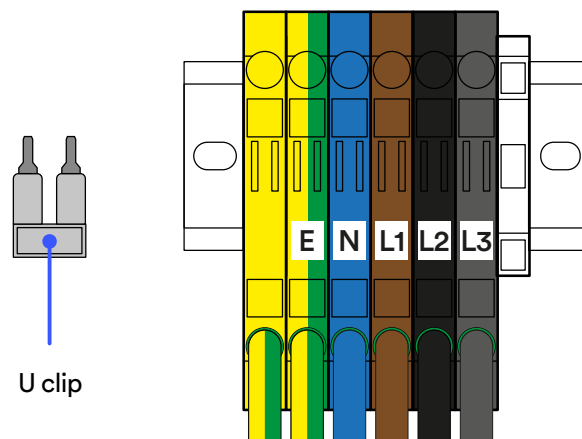


Figure 7: Take the U clip provided.

6. Insert the U clip to join the two earth terminals (Terminal E and the newly installed terminal).

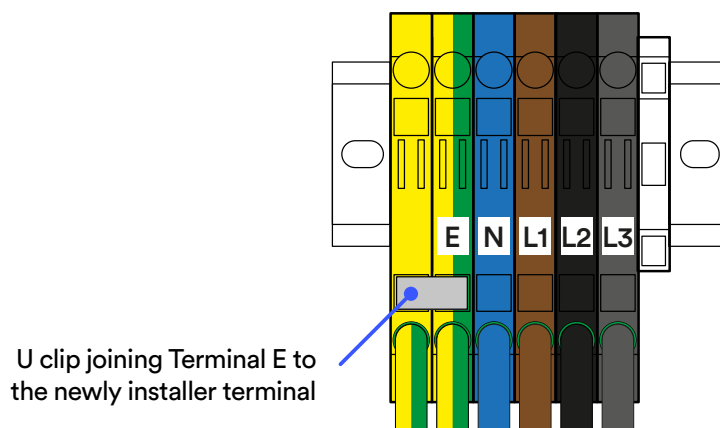


Figure 8: U clip joining Terminal E to the newly installed terminal.

7. You have now completed the installation of the earthing kit for the Genius 2, should you have any issues please reach out to our support team. Contact information for our support team can be found on the following page.



## → 3.0 EO SUPPORT CENTRE

All EO Charging technical documentation is published in the EO Resource Centre, this is found at: <https://www.eocharging.com/support>.

Contact us to learn more about our products. Our charging experts offer 24/7 technical support and are ready to help with any questions or issues.

Live Chat: <https://www.eocharging.com/contact-us>

Phone: +44 (0) 333 77 20383

Email: [support@eocharging.com](mailto:support@eocharging.com)

The EO Academy Installer training can be found at:  
<https://www.eocharging.com/eo-academy>



This document contains information that is subject to change without notice.

The latest version of this publication can be downloaded at:

<https://www.eocharging.com/support/commercial-solutions/eo-genius-2>



**Disclaimer:** No part of this publication may be reproduced or transmitted in any form or by any means, electronic or mechanical, including, but not limited to, copying, recording, retrieving data, or computer networks without the written permission of EO Charging.



