

BEC150X

Header Box Fan



Features

- Suitable for bathroom & residential apartment applications
- Low noise levels
- Cut out template and installation instructions included
- Speed control via VA type controller
- 295mm cut out
- Backdraft damper included
- Run on timer option - BEC150X-ROT - 10 minutes fixed - complies with NCC 2022

Testing

Rated fan performance has been determined by testing to ISO 5801:2007

Construction

The fans are fitted with forward curved centrifugal impellers driven by high quality motors with sealed for life bearings.

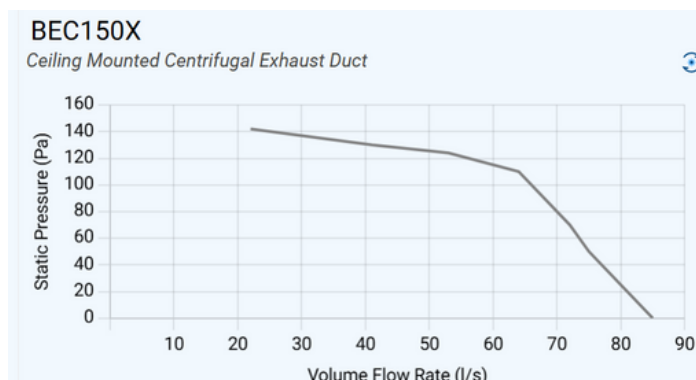
Wiring

3 pin plug (AU) lead Standard

4 pin plug (AU and lead Timer model)

Technical Data

Model	Voltage (V)	Frequency (Hz)	FLA	Weight	dB(A) @ 3m
BEC150X	230	50	0.05	2.2	36



Ancillaries



ROT-P

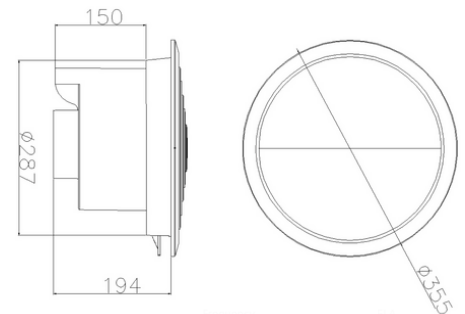


VA Controllers



ROTS

Dimensions



Pacific Ventilation