

NO FURRING STRIP



SHALLOW ENDCAP

APPROVED
By Daniel Williams at 3:17 pm, Jan 19, 2016

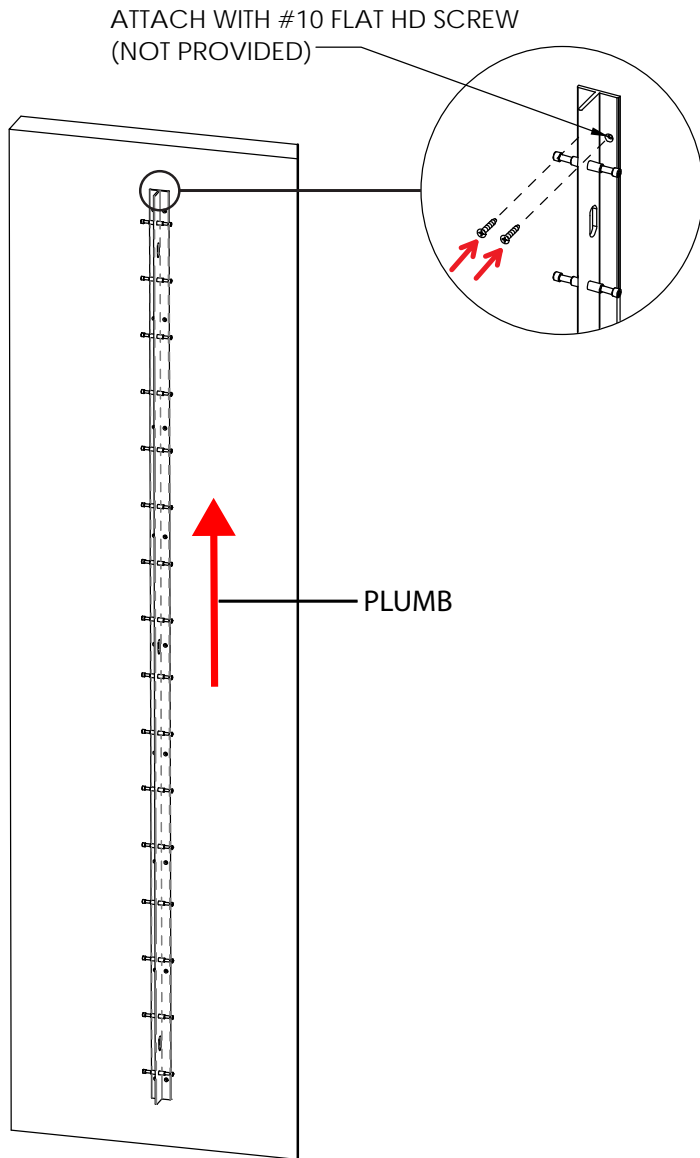
REV: 1

DRAWN BY: AH

DRAWN DATE: 12/10/2015

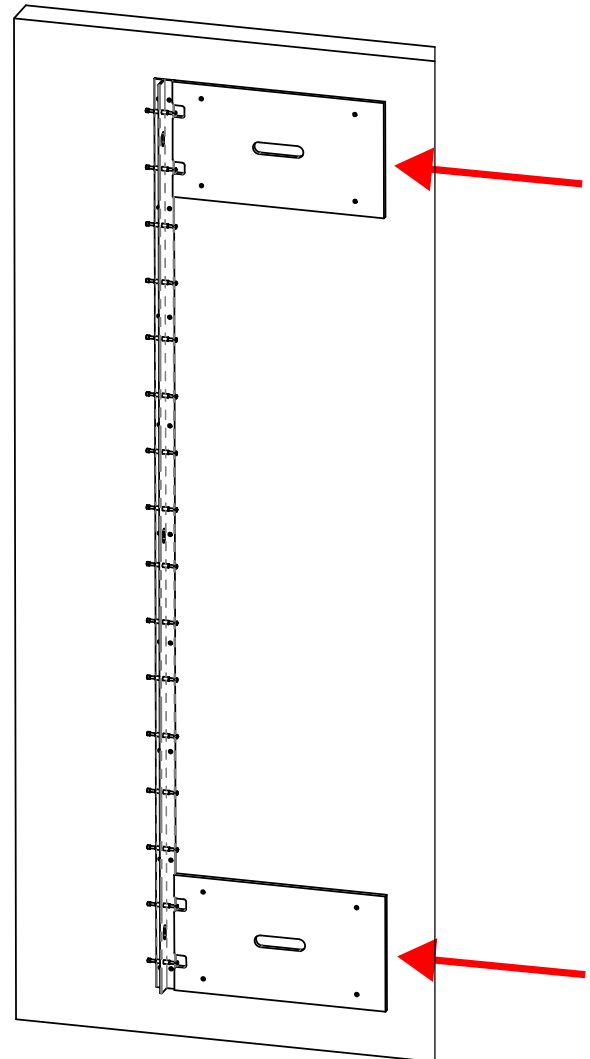


B&N INDUSTRIES
650.593.4127
WWW.BNIND.COM



1

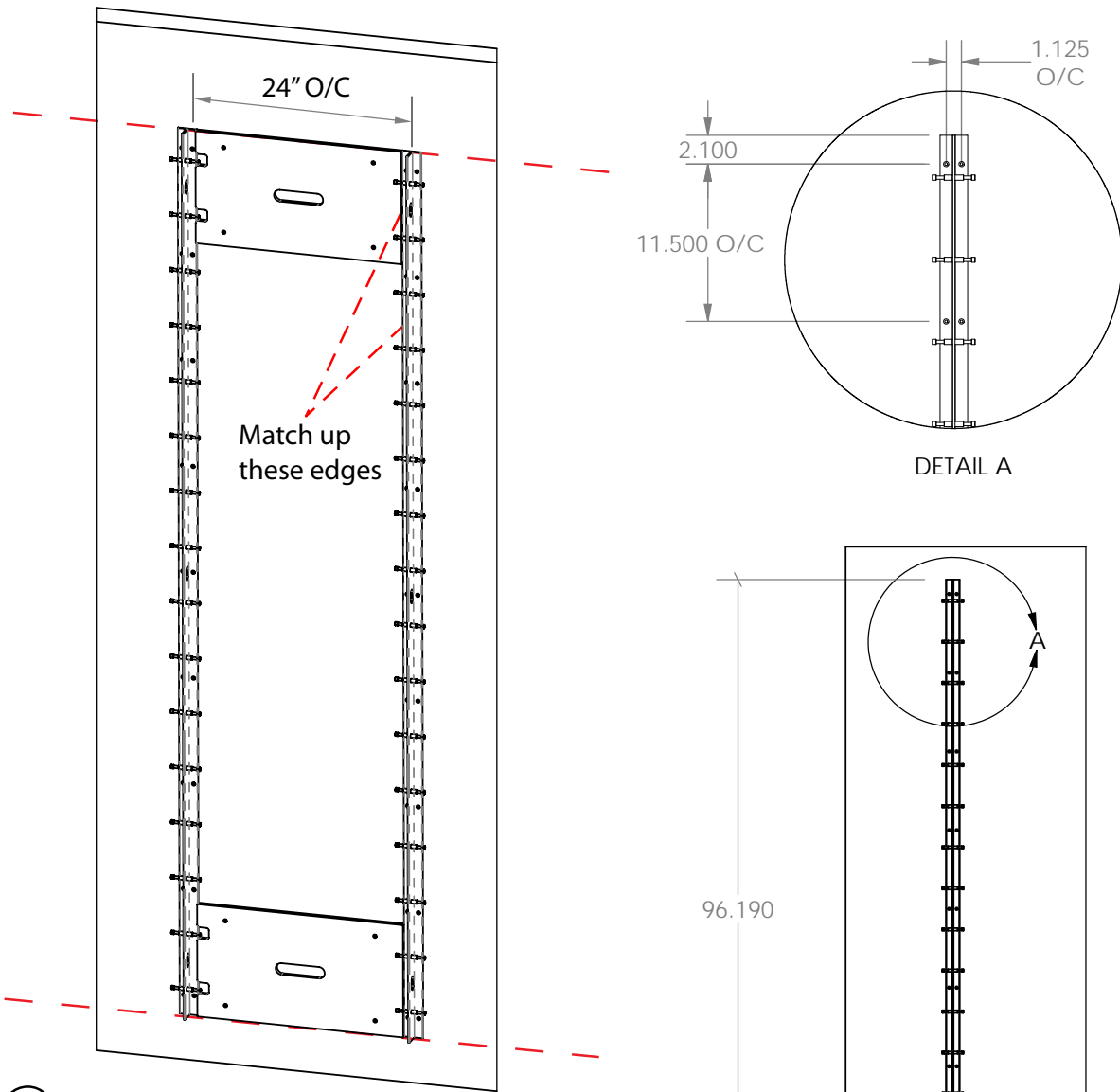
Before attaching uprights, make sure the wall surface is planar. Place the first upright on the wall, attaching it with 2 screws at the top, after plumbing it vertically. #10 flat-head screws are recommended but not provided. **Note: This is a critical step since all of the other uprights are based on its plumbness.**



2

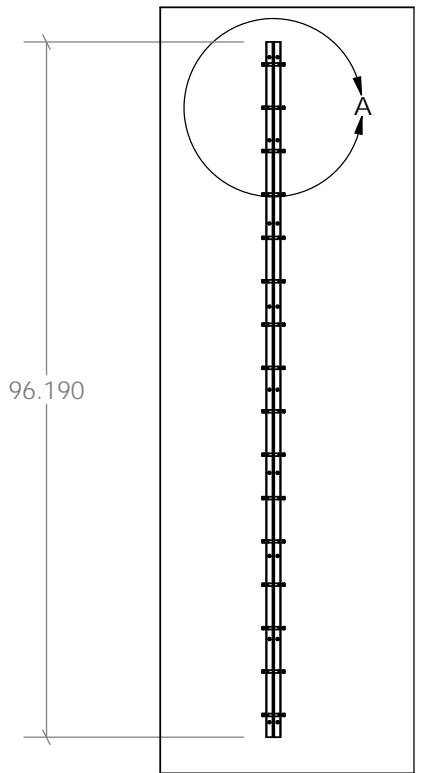
Locate the 2 templates with knotholes. Position them so that the knotholed side is butted up to the right side of the upright at the top and bottom positions as shown. For best practice, make sure the top or bottom edges are lined up with the top or bottom edges of the uprights as shown. Temporarily attach them to the wall with screws (not provided) in the holes.





3

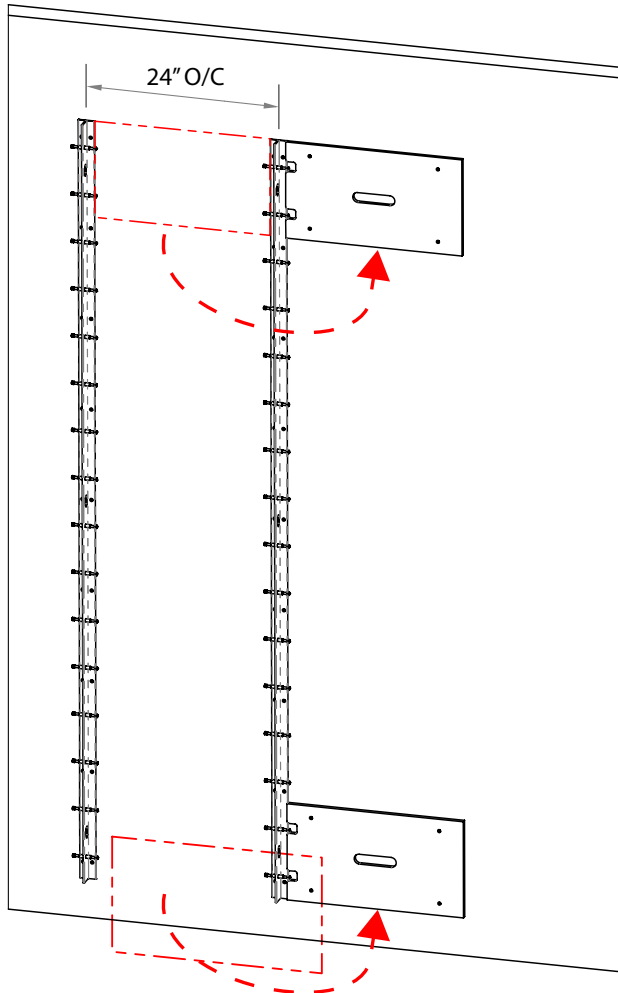
The templates are sized to space the uprights at 24" on-center. Also, the flush side of your template acts as a mating surface to correctly space the adjacent upright (as marked). Mate the left side of the next upright to this edge, making sure the uprights are aligned vertically (see dashed lines).



UPRIGHT HOLE SPACING

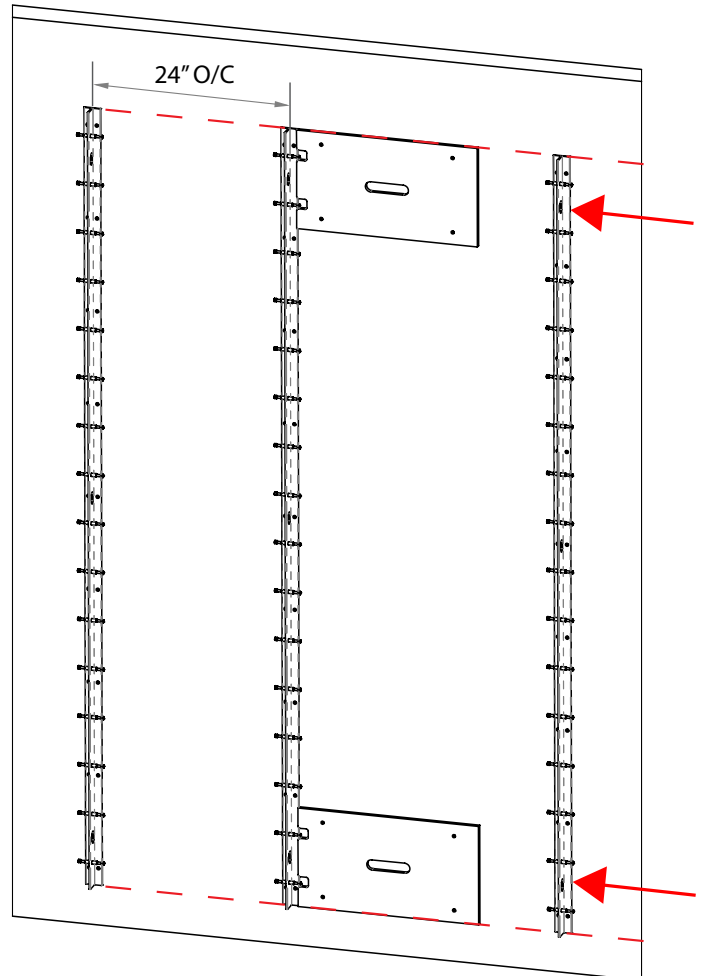
APPROVED
By Daniel Williams at 3:16 pm, Jan 19, 2016





4

Move the templates over one row, matching up the knothed side of the template with the right side of the second upright. Attach them to the wall temporarily with screws (not provided).



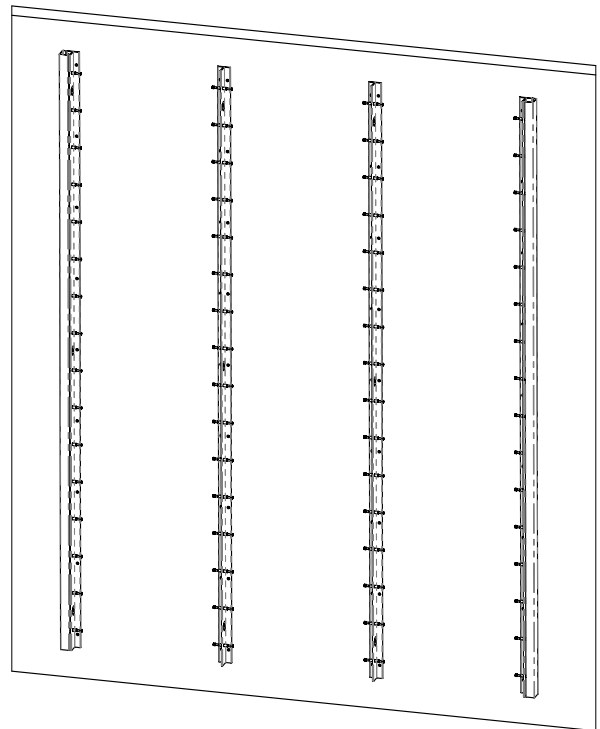
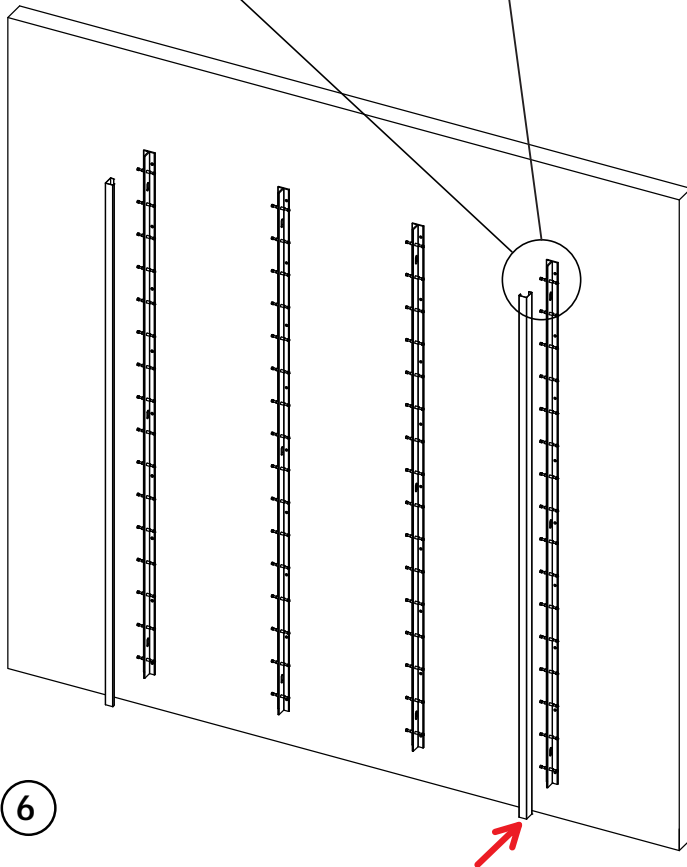
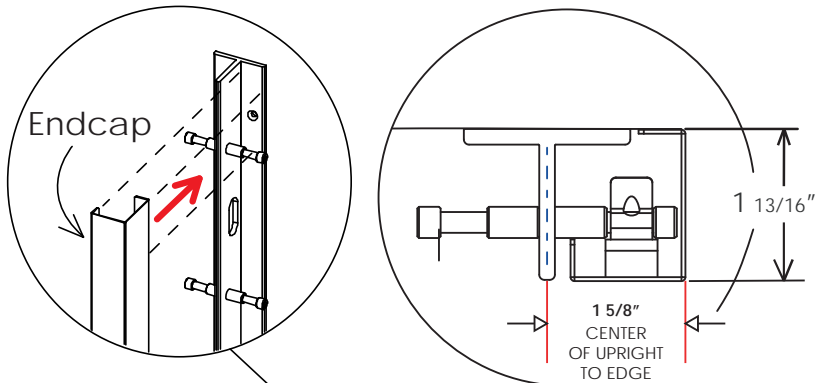
5

Repeat steps 3 & 4 for subsequent uprights until all uprights are installed.

APPROVED
By Daniel Williams at 3:15 pm, Jan 19, 2016



B+N INDUSTRIES
650.593.4127
WWW.BNIND.COM



COMPLETED WALL SETUP
(WITHOUT PANELS)

6

Install one endcap to either end of the uprights as shown above. First, attach the bottom-most clip on the endcap to the bottom pin on the upright. Then rotate the rest of the upright into place, pushing it on until it clicks in 4 places along its length.

APPROVED
By Daniel Williams at 3:15 pm, Jan 19, 2016



B&N INDUSTRIES
650.593.4127
WWW.BNIND.COM