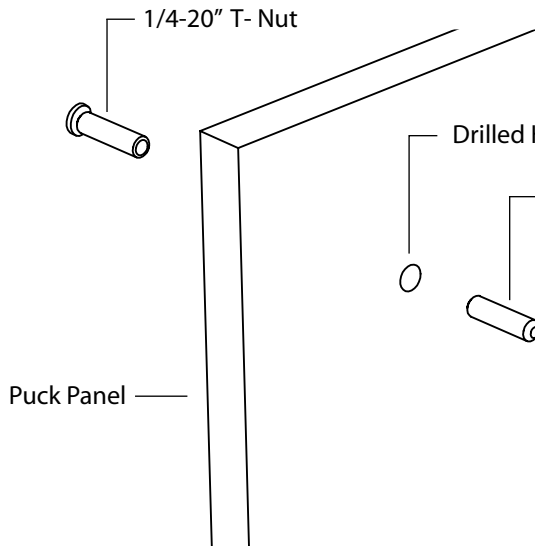


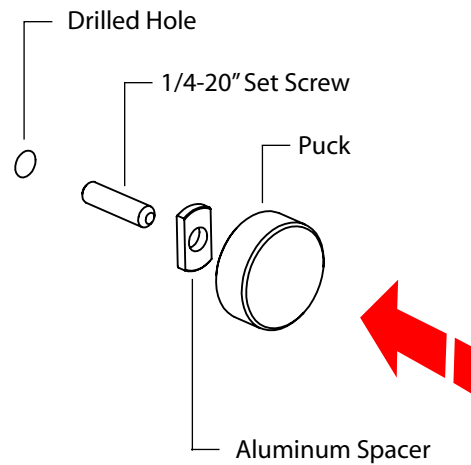
Assembly & Installation Instructions

PUCK SYSTEM

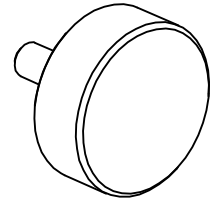
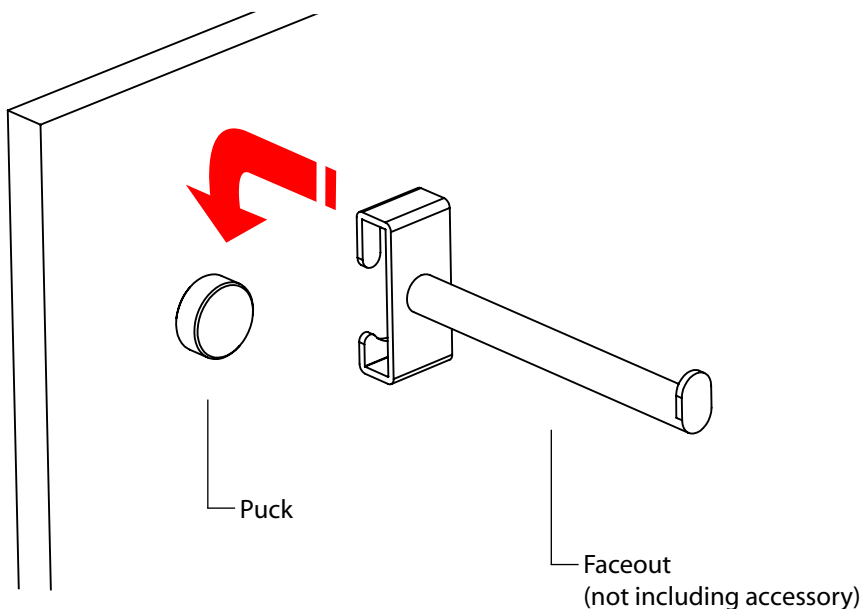
① Insert



② Attach



③ Hang



Basic Puck Accessory Installation

1. Insert- 1/4-20" 'T'- Nut into pre drilled Puck Panel hole from back.
2. Attach - 1/4-20" SET SCREW to PUCK. The ALUMINUM SPACER slides ontop of the SET SCREW.
3. Hang- Locate the BACKPLATE on the accessory. Lift BACKPLATE over the PUCK and slide accessory down so that the PUCK is completely inserted into the BACKPLATE.

Note:



B&N INDUSTRIES
650.593.4127
WWW.BNIND.COM