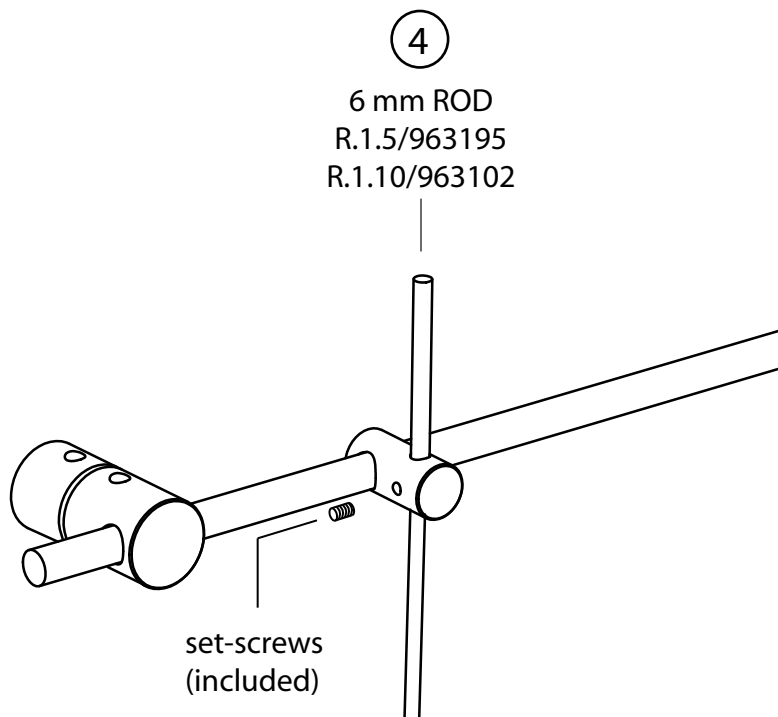
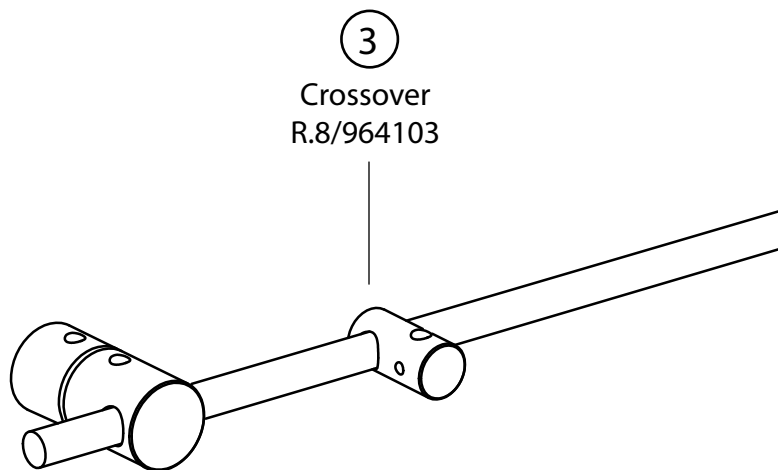
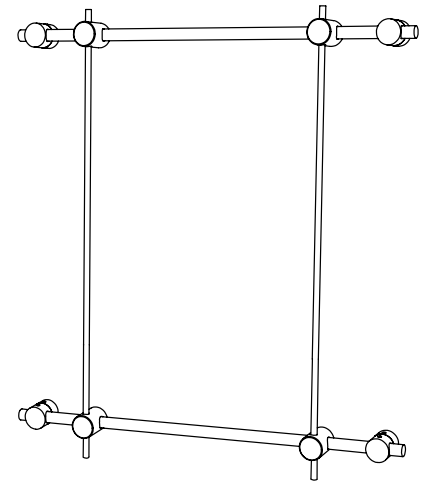
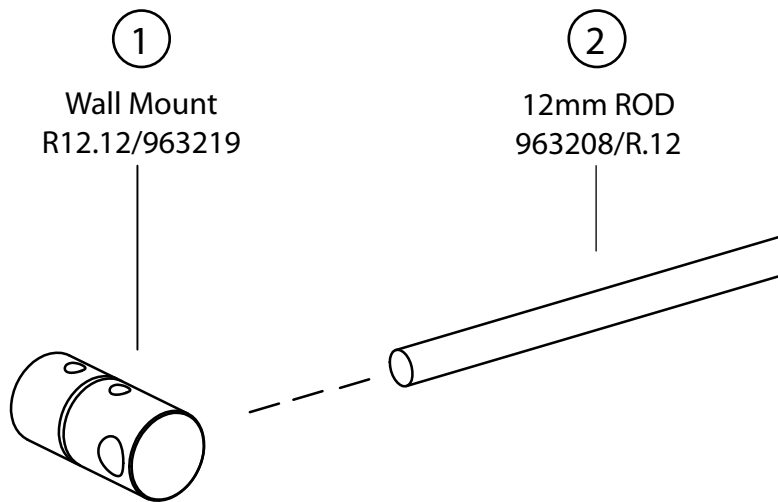


Assembly & Installation Instructions

7.2 : ROD WALL MOUNT



Double Rod Wall Mounting

1. Measure and mount Single Rod (R12.12) onto wall/surface.

2. Slide the 12mm Rod into the Wall Mount horizontally.

3. Slide the Crossovers onto the 12mm Rod and place in the desired location.

3. Slide the 6mm Rod thru the Crossovers vertically.

Add whatever additional hardware is needed to complete your Rod Signage Application. If R.E. or R.D. components are required they will be attached to wall same as R.A. components.

PLEASE NOTE: It is important to add adequate blocking to hold desired display weight loads. Questions? Please contact your B&N representative.

APPROVED
By dwilliams at 9:52 am, Jun 22, 2010



B&N INDUSTRIES
650.593.4127
WWW.BNIND.COM