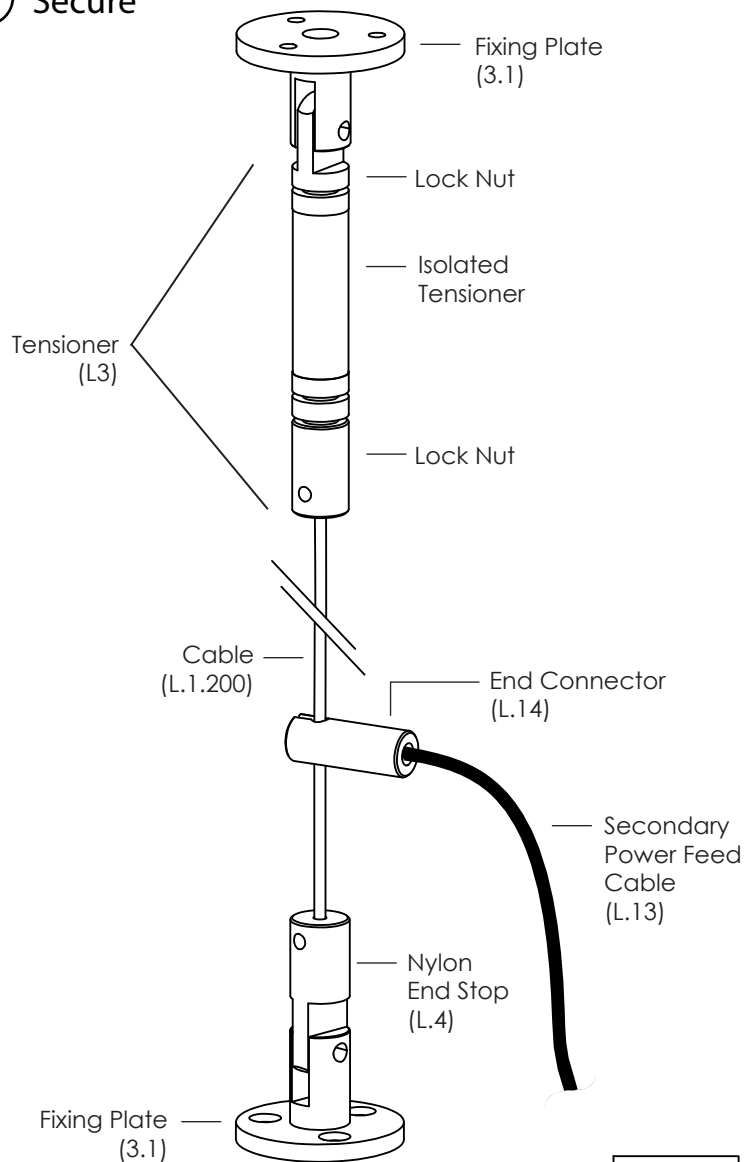
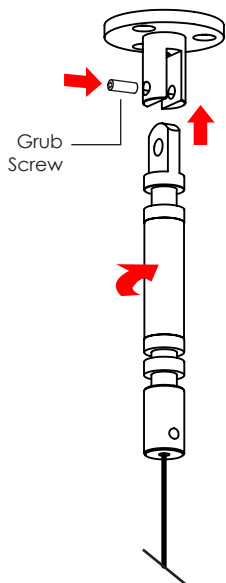


# Assembly & Installation Instructions

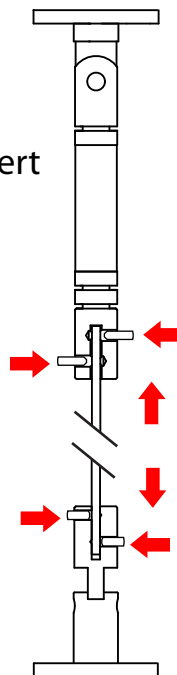
## 1 Secure



## 2 Attach

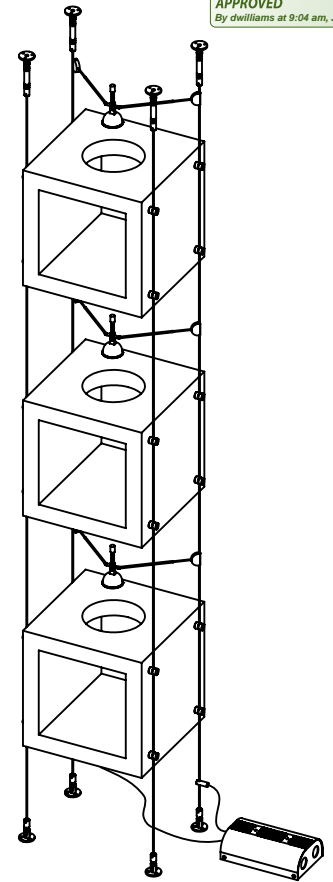


## 3 Insert



## 6.4 : ELECTRIFIED CABLE

APPROVED  
By dwilliams at 9:04 am, Jun 22, 2010



### Electrified Cable System Installation

1. Secure - Fixing plate to the ceiling and floor using the appropriate hardware and blocking.

2. Attach - Making sure the Isolated Tensioner is fully open, insert into the ceiling fixing plate, tighten grub screw across to secure.

3. Insert - the cable into end fixing of the Isolated Tensioner and the Nylon End Stop, making sure the cable passes behind both grub screws - then tighten securely. Insert end stop into fixing plate, tighten grub screw across to secure.

Rotate central barrel on tensioner to tension cable. After cable is tight, use the two locking nuts to secure cable tension.

When installing end connectors and lights to cable, strip away a section of the protective coating on the cable to expose bare cable to make a good electrical contact surface.

Please Note: DO NOT overtighten picture panel/shelf grips, as this may cause damage to the cable.

It is important to add adequate blocking to hold desired display weight loads. Questions? Please contact your B&N representative.



B&N INDUSTRIES  
650.593.4127  
WWW.BNIND.COM