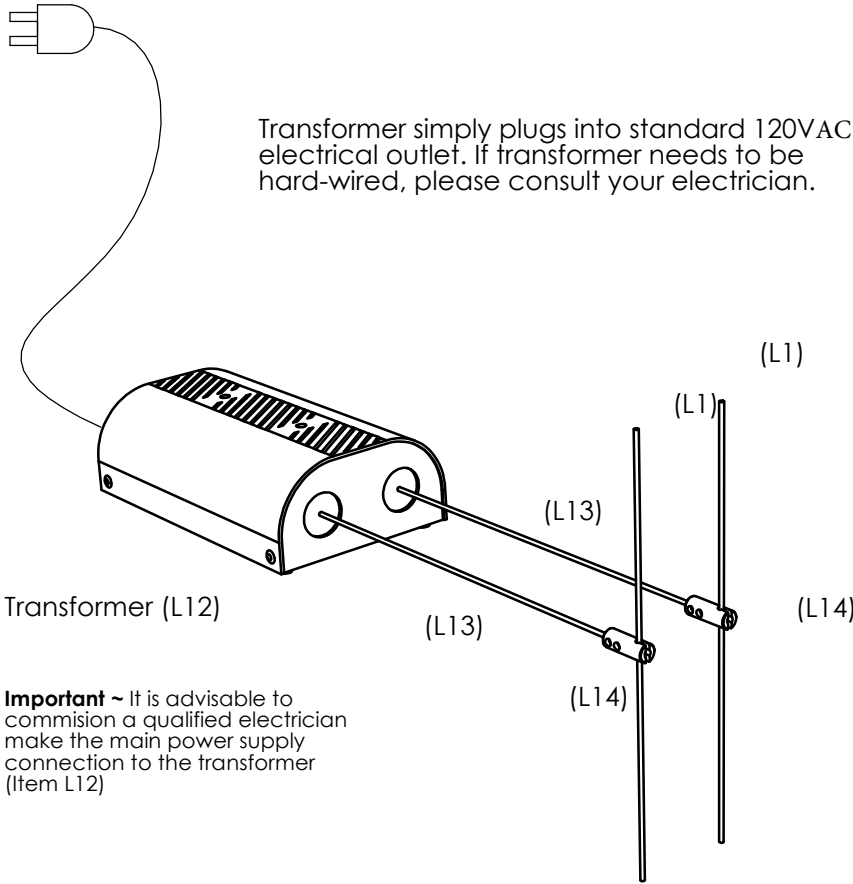


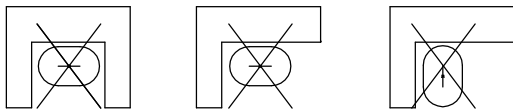
Assembly & Installation Instructions



Important ~ It is advisable to commission a qualified electrician make the main power supply connection to the transformer (Item L12)

| Transformer Capacity | Number of 20 Watt Lamps | Number of 50 Watt Lamps |
|----------------------|-------------------------|-------------------------|
| 300w | 15 | 6 |

IMPORTANT - NEVER EXCEED THE MAXIMUM



To determine which transformer capacity is required, add up the total wattage of all lamps and select the transformer size that is equal to or for the next size.

6.5: 300 WATT TRANSFORMER

Power Feeds

The power feeds (Item L13) are connected to the transformer (Item L12) and the chrome brass connectors clip to the lamp suspension cables (Item L1) strip off the PVC coating to ensure a good contact. The PVC coating should also be stripped off where the lampholders grip the cable to ensure a good contact there as well.

Transformer

Shopkit Design's low voltage lighting system is designed for 300 watt maximum per circuit. The only recommended transformers are those manufactured to IEC 598 (EN 60598) and EN 60742 standards.

The transformer can be positioned up to 1500mm from the cables to which the power is being led via a pair of power feeds (Item L13).

The transformer must be positioned to allow adequate ventilation.

APPROVED

By dwilliams at 11:46 am, Nov 05, 2010



B&N INDUSTRIES
650.593.4127
WWW.BNIND.COM