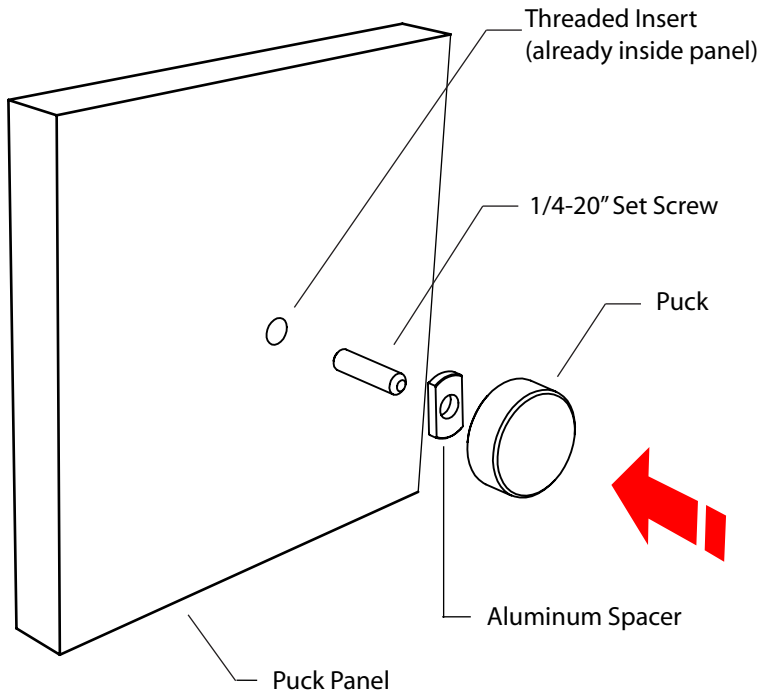


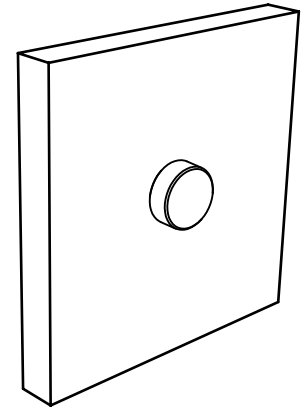
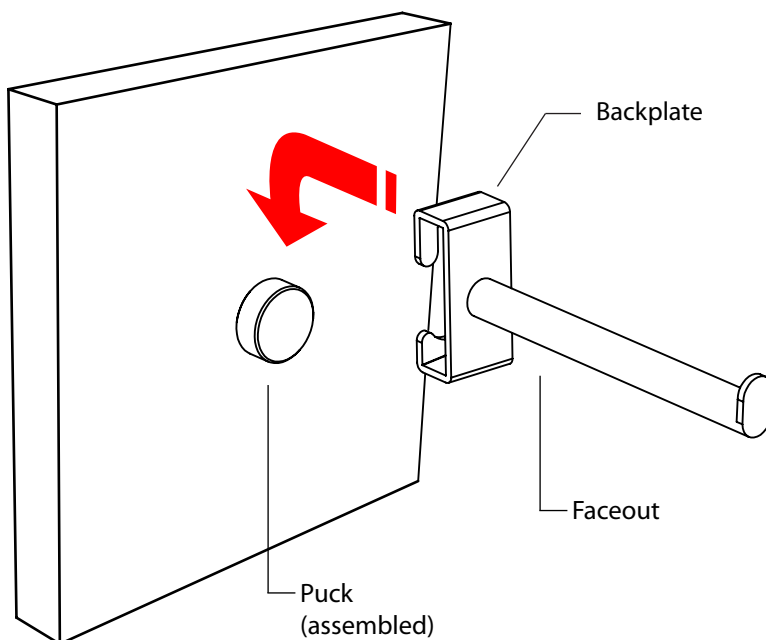
Assembly & Installation Instructions

4.1 : BASIC PUCK ATTACHMENT

1 Attach



2 Hang



Basic Puck Accessory Installation

1. Attach - 1/4-20" Set Screw to Puck. The ALUMINUM SPACER slides on top of the Set Screw. Tighten Puck by hand- making sure the aluminum spacer is oriented vertically.

3. Hang- Locate the Backplate on the accessory. Lift Backplate over the Puck and slide accessory down so that the Puck is completely inserted into the Backplate.

APPROVED
By dwilliams at 9:34 am, Sep 14, 2010



B&N INDUSTRIES
650.593.4127
WWW.BNIND.COM