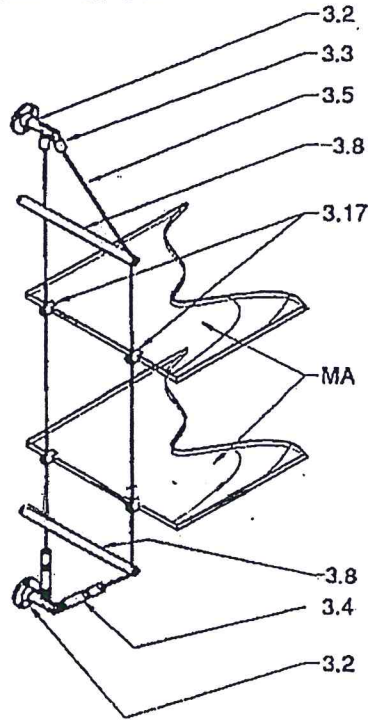
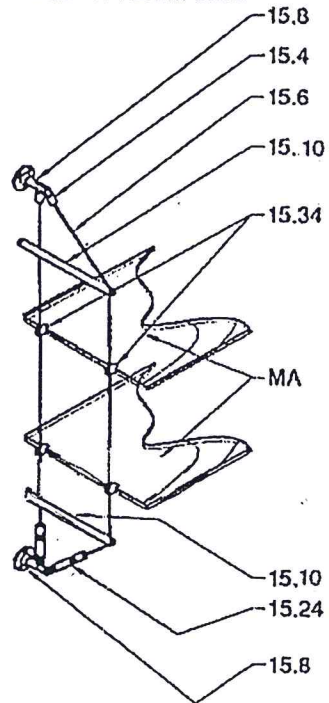


CABLE-WALL TO WALL INSTALLATION

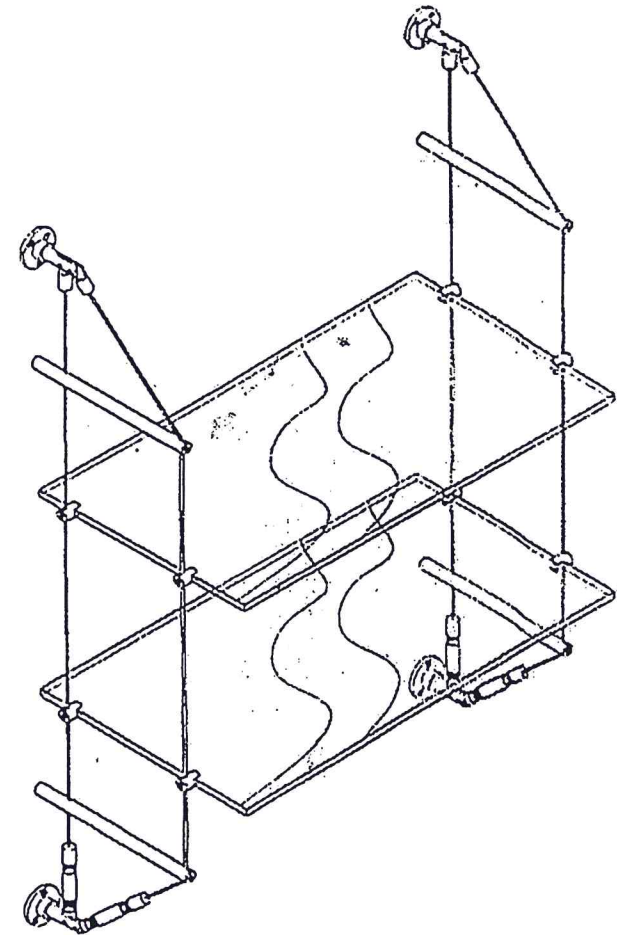
Maxi - Ø3mm cable



Mini - Ø1.5mm cable



Assembly Instructions  
Wall to wall cable system

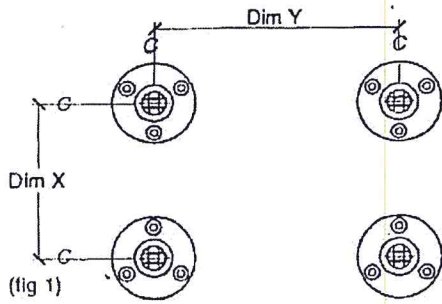


B&N Industries  
1409 Chapin Ave. 2nd Floor  
Burlingame, CA.  
94010 Phone 650-593-4127

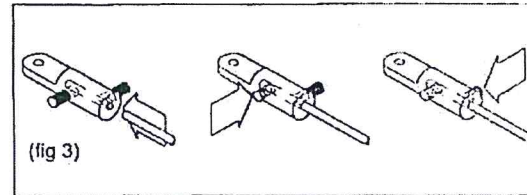
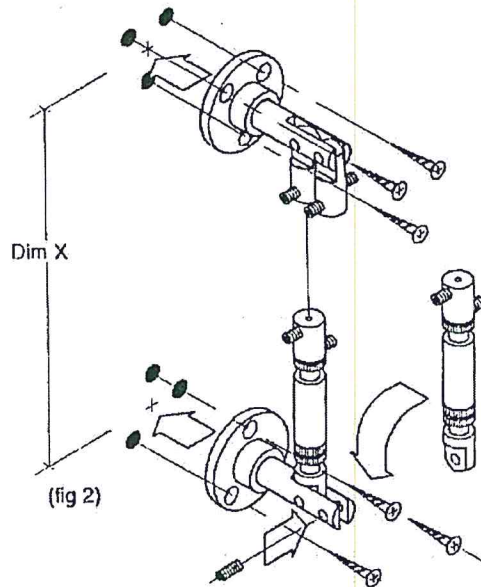
It is important to add adequate blocking to hold desired display weight load. If you have questions please contact your B&N Rep.

## CABLE-WALL TO WALL INSTALLATION

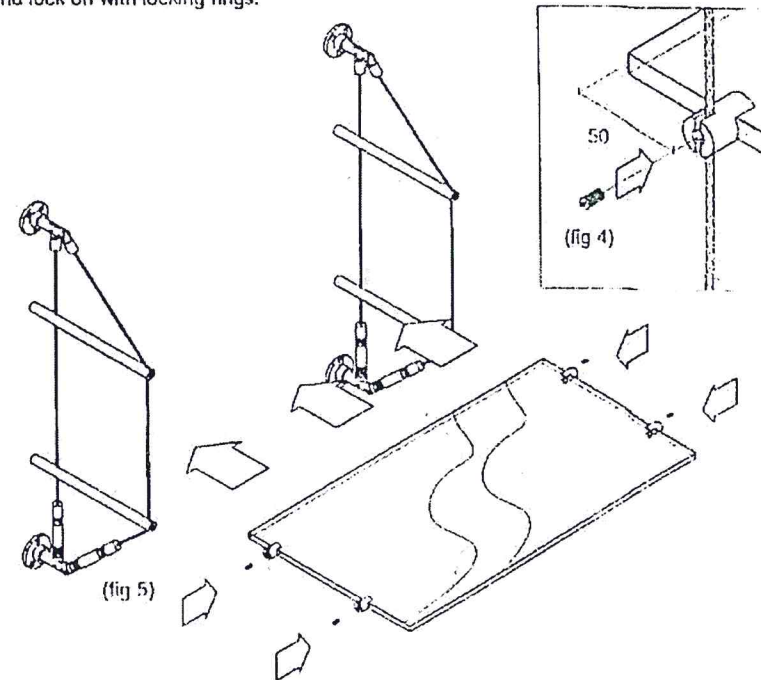
Ensure wall substrate is suitable to take appropriate fixing. The shelving system requires a good secure fixing. To ensure proper installations Assemble top and bottom fixing plates. Tensioners to bottom fixing plate and end stops to top. Mark out fixing positions Dim Y= over all shelf length + 13mm and Dim X depends on over all drop as order.



Tensioner and end stops when assembled, vertical counter sunk hole to face inwards. Drill and plug fixing holes. Securely fix top and bottom fixing plates. (As fig 2)



Cut rear cable (vertical) first (rear cable length =  $\text{Dim X} - 100$ ). Always use cable cutter when cutting cable as not to flatten ends and ensure cable passes behind both grub screws. Securely tighten rear screw first. Then tighten front grub screw securely (As fig 3). All cables should be fixed to end stops and tensioners with both grub screws. Tensioner should be fully extended when cable is fitted, tension cable and lock off with locking rings.



Fit spacer rods equally from top and bottom (between 150 and 160mm (As fig 5)). Fit front cable over spacer bars. Front cable length =  $\text{dim X} + 70$ . Securely fit 'glass shelf support clips' to shelf 50mm from rear and 200mm centres. Fit shelf to cable at appropriate heights (using a spirit level) and lock into position with grub screws.



B&N Industries  
1409 Chapin Ave. 2nd Floor  
Burlingame, CA.  
94010 Phone 650-593-4127